



**THE DATASHEET OF
DG3535ADB-T1-E1**





0.25 Ω Low-Voltage Dual SPDT Analog Switch

DESCRIPTION

The DG3535, DG3536 is a sub 1 Ω (0.25 Ω at 2.7 V) dual SPDT analog switches designed for low voltage applications.

The DG3535, DG3536 has on-resistance matching (less than 0.05 Ω at 2.7 V) and flatness (less than 0.2 Ω at 2.7 V) that are guaranteed over the entire voltage range. Additionally, low logic thresholds makes the DG3535, DG3536 an ideal interface to low voltage DSP control signals.

The DG3535, DG3536 has fast switching speed with break-before-make guaranteed. In the On condition, all switching elements conduct equally in both directions. Off-isolation and crosstalk is - 69 dB at 100 kHz.

The DG3535, DG3536 is built on Vishay Siliconix's high-density low voltage CMOS process. An epitaxial layer is built in to prevent latchup. The DG3535, DG3536 contains the additional benefit of 2000 V ESD protection.

As a committed partner to the community and the environment, Vishay Siliconix manufactures this product with the lead (Pb)-free device terminations. For MICRO FOOT analog switching products manufactured with tin/silver/copper (SnAgCu) device terminations, the lead (Pb)-free "-E1" suffix is being used as a designator.

FEATURES

- Low voltage operation
- Low on-resistance - R_{ON} : 0.25 Ω at 2.7 V
- - 69 dB OIRR at 2.7 V, 100 kHz
- MICRO FOOT® package
- ESD protection > 2000 V
- **Compliant to RoHS Directive 2002/95/EC**



RoHS
COMPLIANT

BENEFITS

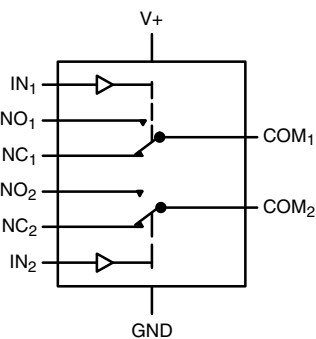
- Reduced power consumption
- High accuracy
- Reduce board space
- 1.6 V logic compatible
- High bandwidth

APPLICATIONS

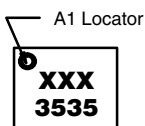
- Cellular phones
- Speaker headset switching
- Audio and video signal routing
- PCMCIA cards
- Battery operated systems
- Relay replacement

FUNCTIONAL BLOCK DIAGRAM AND PIN CONFIGURATION

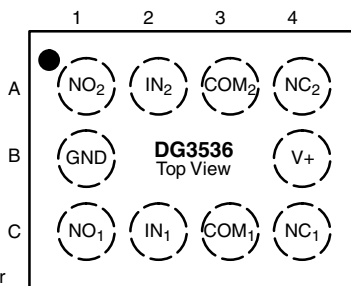
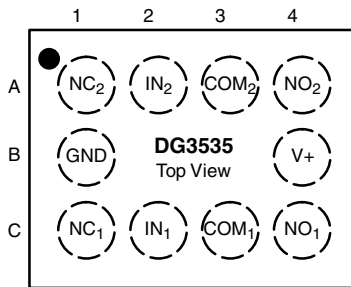
DG3535, DG3536
MICRO FOOT 10-Bump



Device Marking



3535 = Example Base Part Number
xxx = Data/Lot Traceability Code



TRUTH TABLE

| Logic | NC1 and NC2 | NO1 and NO2 |
|-------|-------------|-------------|
| 0 | ON | OFF |
| 1 | OFF | ON |

ORDERING INFORMATION

| Temp. Range | Package | Part Number |
|------------------|---|--|
| - 40 °C to 85 °C | MICRO FOOT: 10 Bump (4 x 3, 0.5 mm Pitch, 238 μm Bump Height) | DG3535DB-T5-E1 DG3535DB-T1-E1 DG3536DB-T5-E1 |

DG3535, DG3536



Vishay Siliconix

| ABSOLUTE MAXIMUM RATINGS | | | |
|--|---|-----------------------|------|
| Parameter | | Limit | Unit |
| Reference V+ to GND | | - 0.3 to + 6 | V |
| IN, COM, NC, NO ^a | | - 0.3 to (V+ + 0.3 V) | |
| Continuous Current (NO, NC, COM) | | ± 300 | mA |
| Peak Current (Pulsed at 1 ms, 10 % duty cycle) | | ± 500 | |
| Storage Temperature | (D Suffix) | - 65 to 150 | °C |
| Package Solder Reflow Conditions ^b | IR/Convection | 250 | |
| ESD per Method 3015.7 | | > 2 | kV |
| Power Dissipation (Packages) ^c | MICRO FOOT: 10 Bump (4 x 3 mm) ^d | 457 | mW |

Notes:

a Signals on NC, NO, or COM or IN exceeding V+ will be clamped by internal diodes. Limit forward diode current to maximum current ratings.

b Refer to IPC/JEDEC (J-STD-020B)

c All bumps welded or soldered to PC board.

d Derate 5.7 mW/°C above 70 °C.

Stresses beyond those listed under "Absolute Maximum Ratings" may cause permanent damage to the device. These are stress ratings only, and functional operation of the device at these or any other conditions beyond those indicated in the operational sections of the specifications is not implied. Exposure to absolute maximum rating conditions for extended periods may affect device reliability.

| SPECIFICATIONS (V+ = 3 V) | | | | | | | |
|---|---|--|--------------------|----------------------------|-------------------|-------------------|------|
| Parameter | Symbol | Test Conditions Otherwise Unless Specified V+ = 3 V, ± 10 %, V _{IN} = 0.5 V or 1.4 V ^e | Temp. ^a | Limits - 40 °C to 85 °C | | | Unit |
| | | | | Min. ^b | Typ. ^c | Max. ^b | |
| Analog Switch | | | | | | | |
| Analog Signal Range ^d | V _{NO} , V _{NC} , V _{COM} | | Full | 0 | | V+ | V |
| On-Resistance ^d | R _{ON} | V+ = 2.7 V, V _{COM} = 0.6/1.5 V I _{NO} , I _{NC} = 100 mA | Room Full | | 0.25 | 0.4 0.5 | Ω |
| R _{ON} Flatness ^d | R _{ON} Flatness | | Room | | | 0.15 | |
| On-Resistance Match Between Channels ^d | ΔR _{DS(on)} | | Room | | | 0.05 | |
| Switch Off Leakage Current | I _{NO(off)} I _{NC(off)} | V+ = 3.3 V, V _{NO} , V _{NC} = 0.3 V/3 V, V _{COM} = 3 V/0.3 V | Room Full | - 2 - 20 | | 2 20 | nA |
| | I _{COM(off)} | | Room Full | - 2 - 20 | | 2 20 | |
| Channel-On Leakage Current | I _{COM(on)} | V+ = 3.3 V, V _{NO} , V _{NC} = V _{COM} = 0.3 V/3 V | Room Full | - 2 - 20 | | 2 20 | |
| Digital Control | | | | | | | |
| Input High Voltage ^d | V _{INH} | | Full | 1.4 | | | V |
| Input Low Voltage | V _{INL} | | Full | | | 0.5 | |
| Input Capacitance | C _{in} | | Full | | 10 | | pF |
| Input Current | I _{INL} or I _{INH} | V _{IN} = 0 or V+ | Full | 1 | | 1 | μA |



| SPECIFICATIONS ($V_+ = 3\text{ V}$) | | | | | | | |
|---|---------------|---|--------------------|----------------------------|-------------------|-------------------|---------------|
| Parameter | Symbol | Test Conditions Otherwise Unless Specified $V_+ = 3\text{ V}, \pm 10\%, V_{IN} = 0.5\text{ V or } 1.4\text{ V}^e$ | Temp. ^a | Limits - 40 °C to 85 °C | | | Unit |
| | | | | Min. ^b | Typ. ^c | Max. ^b | |
| Dynamic Characteristics | | | | | | | |
| Turn-On Time | t_{ON} | $V_{NO}\text{ or } V_{NC} = 2\text{ V}, R_L = 50\ \Omega, C_L = 35\text{ pF}$ | Room Full | | 52 | 82 | ns |
| Turn-Off Time | t_{OFF} | | Room Full | | 43 | 73 | |
| Break-Before-Make Time | t_d | | Room | 1 | 6 | | |
| Charge Injection ^d | Q_{INJ} | $C_L = 1\text{ nF}, V_{GEN} = 1.5\text{ V}, R_{GEN} = 0\ \Omega$ | Full | | 21 | | pC |
| Off-Isolation ^d | OIRR | $R_L = 50\ \Omega, C_L = 5\text{ pF}, f = 100\text{ kHz}$ | Room | | - 69 | | dB |
| Crosstalk ^d | X_{TALK} | | Room | | - 69 | | |
| N_O, N_C Off Capacitance ^d | $C_{NO(off)}$ | $V_{IN} = 0\text{ or } V_+, f = 1\text{ MHz}$ | Room | | 145 | | pF |
| | $C_{NC(off)}$ | | Room | | 145 | | |
| Channel-On Capacitance ^d | $C_{NO(on)}$ | | Room | | 406 | | |
| | $C_{NC(on)}$ | | Room | | 406 | | |
| Power Supply | | | | | | | |
| Power Supply Current | I_+ | $V_{IN} = 0\text{ or } V_+$ | Room Full | | 0.001 | 1 | μA |

Notes:

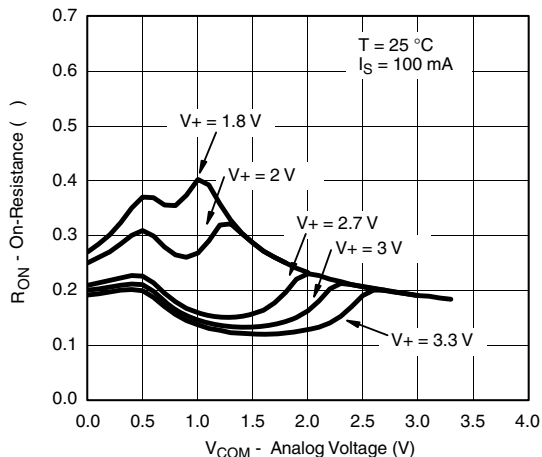
- Room = 25 °C, full = as determined by the operating suffix.
- Typical values are for design aid only, not guaranteed nor subject to production testing.
- The algebraic convention whereby the most negative value is a minimum and the most positive a maximum, is used in this data sheet.
- Guarantee by design, nor subjected to production test.
- V_{IN} = input voltage to perform proper function.

DG3535, DG3536

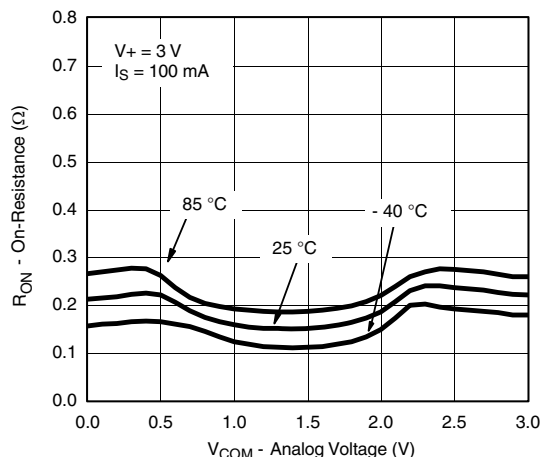


Vishay Siliconix

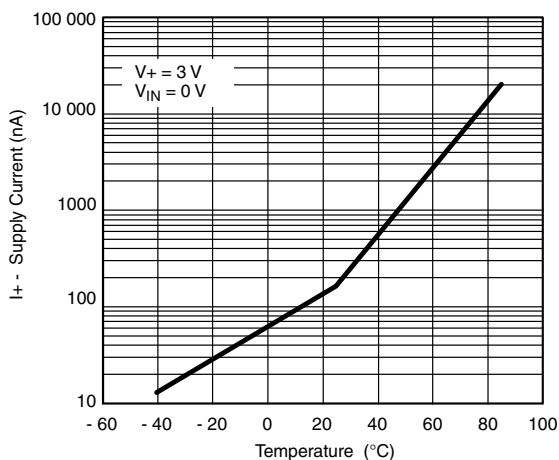
TYPICAL CHARACTERISTICS (25 °C, unless otherwise noted)



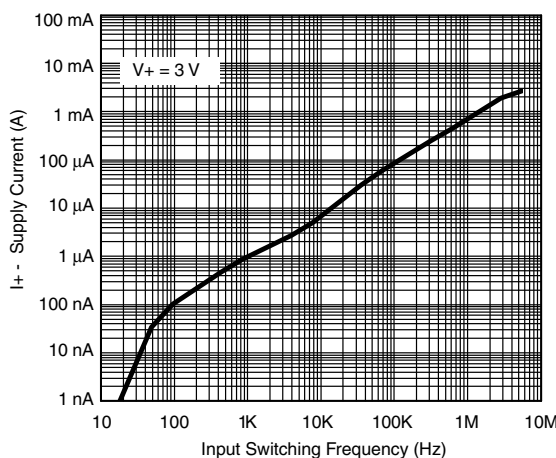
R_{ON} vs. V_{COM} and Supply Voltage



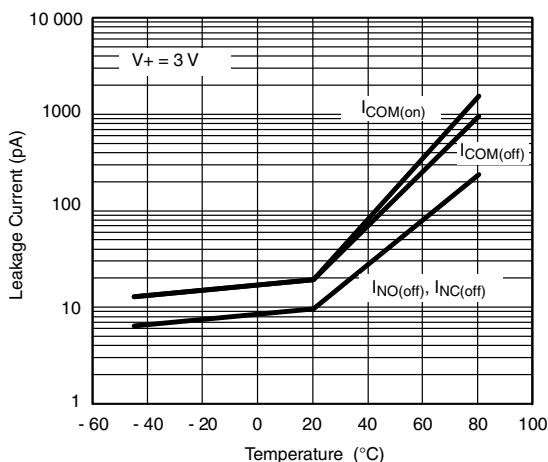
R_{ON} vs. Analog Voltage and Temperature (NC1)



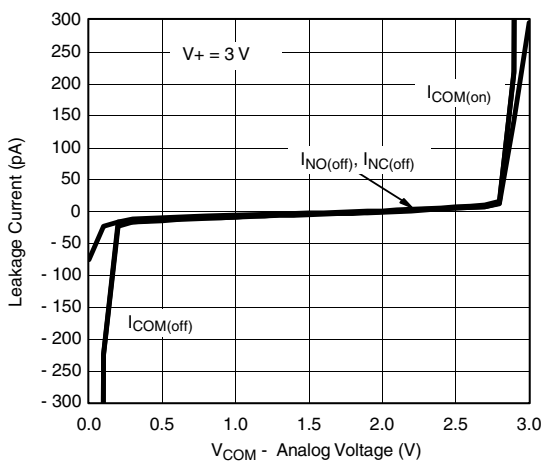
Supply Current vs. Temperature



Supply Current vs. Input Switching Frequency



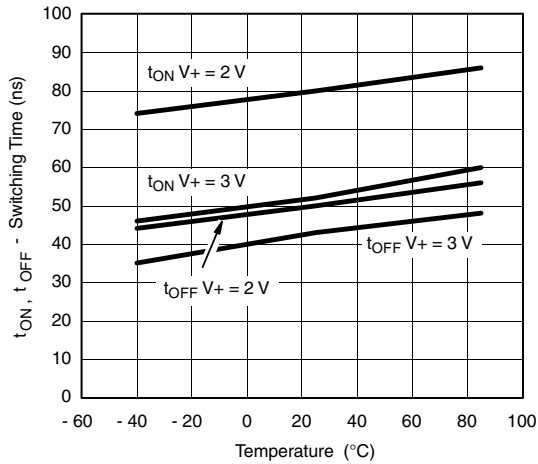
Leakage Current vs. Temperature



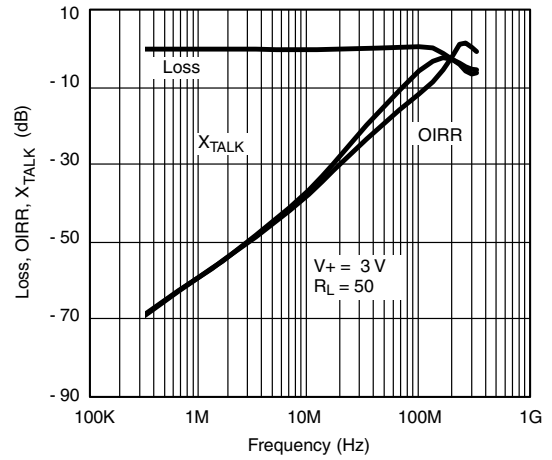
Leakage vs. Analog Voltage



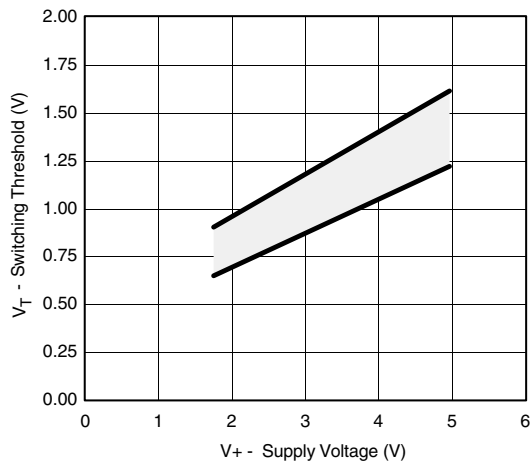
TYPICAL CHARACTERISTICS (25 °C, unless otherwise noted)



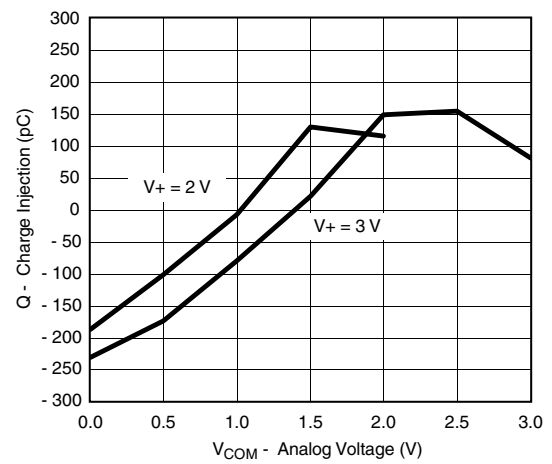
Switching Time vs. Temperature



Insertion Loss, Off-Isolation Crosstalk vs. Frequency



Switching Threshold vs. Supply Voltage



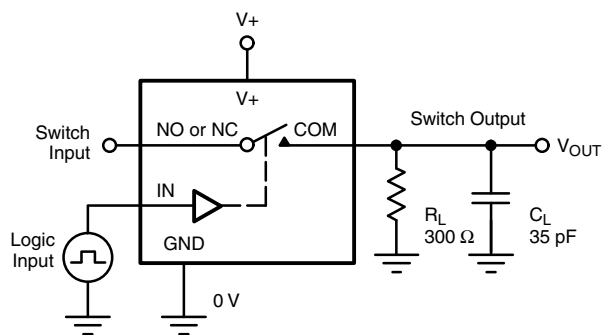
Charge Injection vs. Analog Voltage

DG3535, DG3536

Vishay Siliconix

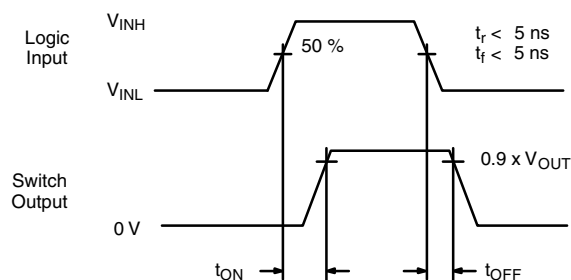


TEST CIRCUITS



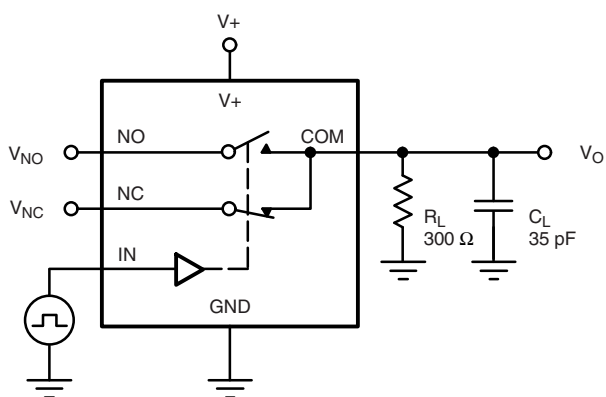
C_L (includes fixture and stray capacitance)

$$V_{OUT} = V_{COM} \left(\frac{R_L}{R_L + R_{ON}} \right)$$



Logic "1" = Switch On
Logic input waveforms inverted for switches that have the opposite logic sense.

Figure 1. Switching Time



C_L (includes fixture and stray capacitance)

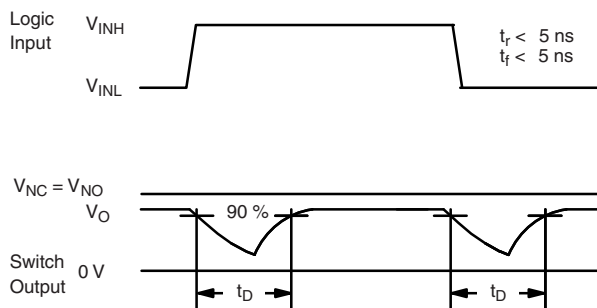
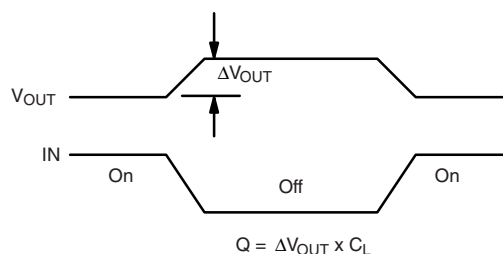
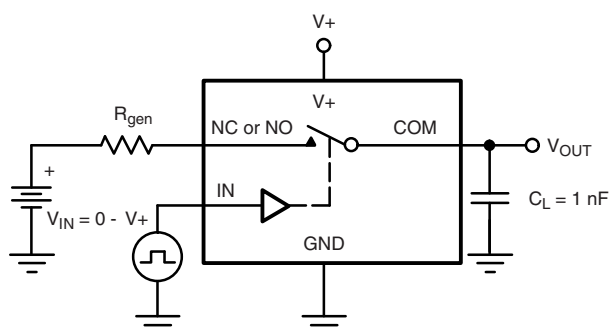


Figure 2. Break-Before-Make Interval



IN depends on switch configuration: input polarity determined by sense of switch.

Figure 3. Charge Injection



TEST CIRCUITS

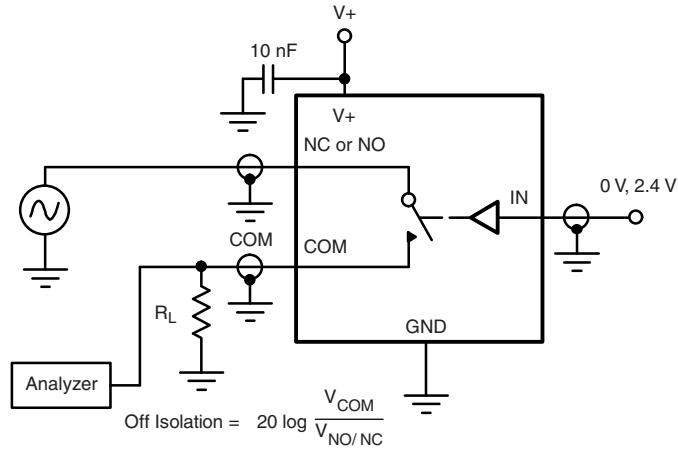


Figure 4. Off-Isolation

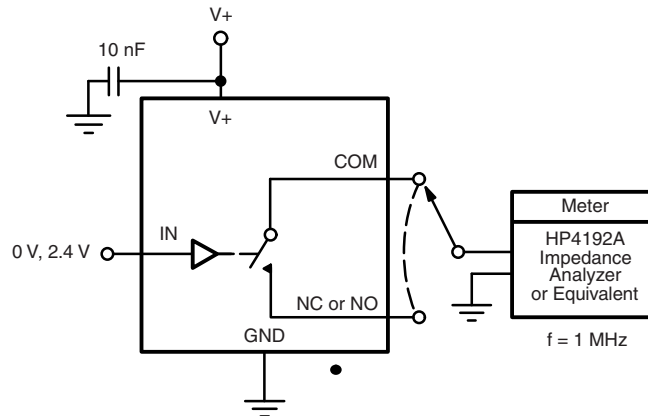


Figure 5. Channel Off/On Capacitance

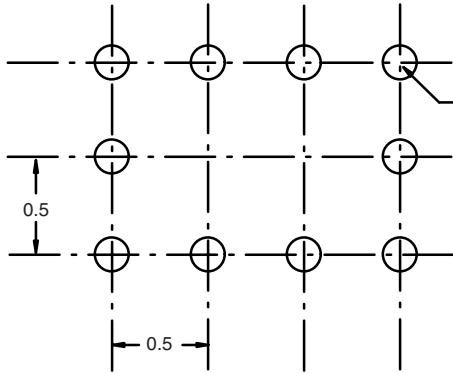
DG3535, DG3536

Vishay Siliconix



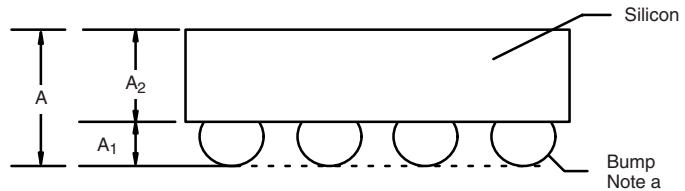
PACKAGE OUTLINE

MICRO FOOT: 10 BUMP (4 x 3, 0.5 mm PITCH, 0.238 mm BUMP HEIGHT)

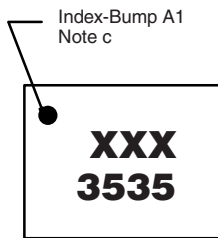


Recommended Land Pattern

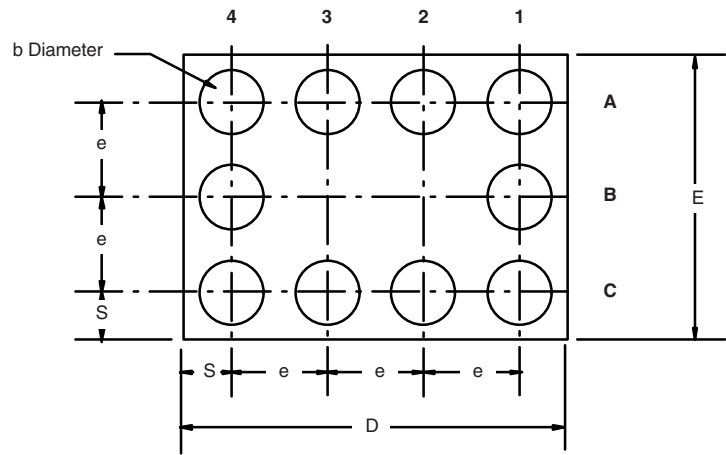
10 x \varnothing 0.150 ~ 0.229
 Note b
 Solder Mask \varnothing ~ Pad Diameter + 0.1



Bump
 Note a



Top Side (Die Back)



Notes (Unless Otherwise Specified):

- a. Bump is Lead Free Sn/Ag/Cu.
- b. Non-solder mask defined copper landing pad.
- c. Laser Mark on silicon die back; back-lapped, no coating. Shown is not actual marking; sample only.

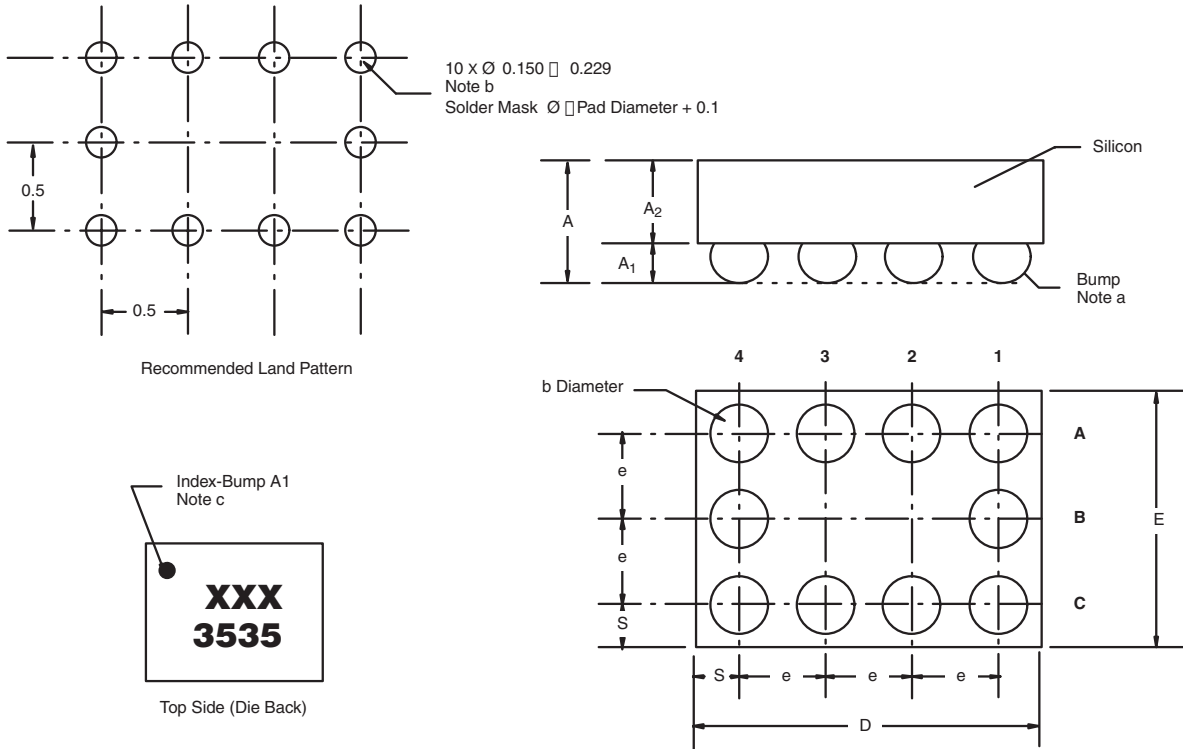
| Dim. | Millimeters ^a | | Inches | |
|----------------|--------------------------|-------|--------------|--------|
| | Min. | Max. | Min. | Max. |
| A | 0.688 | 0.753 | 0.0271 | 0.0296 |
| A ₁ | 0.218 | 0.258 | 0.0086 | 0.0102 |
| A ₂ | 0.470 | 0.495 | 0.0185 | 0.0195 |
| b | 0.306 | 0.346 | 0.0120 | 0.0136 |
| D | 1.980 | 2.020 | 0.0780 | 0.0795 |
| E | 1.480 | 1.520 | 0.0583 | 0.0598 |
| e | 0.5 BASIC | | 0.0197 BASIC | |
| S | 0.230 | 0.270 | 0.0091 | 0.0106 |

Notes:

- a. Use millimeters as the primary measurement.

Vishay Siliconix maintains worldwide manufacturing capability. Products may be manufactured at one of several qualified locations. Reliability data for Silicon Technology and Package Reliability represent a composite of all qualified locations. For related documents such as package/tape drawings, part marking, and reliability data, see www.vishay.com/ppq?72961.

MICRO FOOT: 10-BUMP (4 mm x 3 mm, 0.5 mm PITCH, 0.238 mm BUMP HEIGHT)



Notes

(unless otherwise specified)

- a. Bump is lead (Pb)-free Sn/Ag/Cu.
- b. Non-solder mask defined copper landing pad.
- c. Laser mark on silicon die back; back-lapped, no coating. Shown is not actual marking; sample only.

| DIM. | MILLIMETERS ^a | | INCHES | |
|----------------|--------------------------|-------|--------------|--------|
| | MIN. | MAX. | MIN. | MAX. |
| A | 0.688 | 0.753 | 0.0271 | 0.0296 |
| A ₁ | 0.218 | 0.258 | 0.0086 | 0.0102 |
| A ₂ | 0.470 | 0.495 | 0.0185 | 0.0195 |
| b | 0.306 | 0.346 | 0.0120 | 0.0136 |
| D | 1.980 | 2.020 | 0.0780 | 0.0795 |
| E | 1.480 | 1.520 | 0.0583 | 0.0598 |
| e | 0.5 BASIC | | 0.0197 BASIC | |
| S | 0.230 | 0.270 | 0.0091 | 0.0106 |

Note

- a. Use millimeters as the primary measurement.

ECN: S11-1065-Rev. A, 13-Jun-11
 DWG: 6001



Disclaimer

ALL PRODUCT, PRODUCT SPECIFICATIONS AND DATA ARE SUBJECT TO CHANGE WITHOUT NOTICE TO IMPROVE RELIABILITY, FUNCTION OR DESIGN OR OTHERWISE.

Vishay Intertechnology, Inc., its affiliates, agents, and employees, and all persons acting on its or their behalf (collectively, "Vishay"), disclaim any and all liability for any errors, inaccuracies or incompleteness contained in any datasheet or in any other disclosure relating to any product.

Vishay makes no warranty, representation or guarantee regarding the suitability of the products for any particular purpose or the continuing production of any product. To the maximum extent permitted by applicable law, Vishay disclaims (i) any and all liability arising out of the application or use of any product, (ii) any and all liability, including without limitation special, consequential or incidental damages, and (iii) any and all implied warranties, including warranties of fitness for particular purpose, non-infringement and merchantability.

Statements regarding the suitability of products for certain types of applications are based on Vishay's knowledge of typical requirements that are often placed on Vishay products in generic applications. Such statements are not binding statements about the suitability of products for a particular application. It is the customer's responsibility to validate that a particular product with the properties described in the product specification is suitable for use in a particular application. Parameters provided in datasheets and / or specifications may vary in different applications and performance may vary over time. All operating parameters, including typical parameters, must be validated for each customer application by the customer's technical experts. Product specifications do not expand or otherwise modify Vishay's terms and conditions of purchase, including but not limited to the warranty expressed therein.

Except as expressly indicated in writing, Vishay products are not designed for use in medical, life-saving, or life-sustaining applications or for any other application in which the failure of the Vishay product could result in personal injury or death. Customers using or selling Vishay products not expressly indicated for use in such applications do so at their own risk. Please contact authorized Vishay personnel to obtain written terms and conditions regarding products designed for such applications.

No license, express or implied, by estoppel or otherwise, to any intellectual property rights is granted by this document or by any conduct of Vishay. Product names and markings noted herein may be trademarks of their respective owners.

Looking for pricing, stock, or lifecycle information?

Click below to explore more details on WIN SOURCE:

 [View DG3535ADB-T1-E1 on WIN SOURCE](#)

 [Vishay Information](#)

Optimize Your Supply Chain with WIN SOURCE Solutions

-  Global Sourcing Solution
-  Obsolete Management
-  Cost Control Management
-  Shortage Management
-  Alternative Solution
-  Excess Inventory Management