



**THE DATASHEET OF
VSC7421XJG-04**



VSC7421-04

17-Port Layer 2 Gigabit Ethernet Switch with 12 Fully Integrated Copper PHYs

Microsemi's next-generation switch device delivers the industry's lowest power GbE switching solution.

VSC7421-04 is the industry's first fully integrated 17-port Gigabit Ethernet switch with 12 copper PHYs in a single package. In conjunction with Microsemi's 4-port VSC8504-03 or VSC8664-03 devices, a 17-port switch can be designed using only two ICs.

The device leverages Microsemi's 65 nm technology, resulting in one of the most cost-effective and lowest power consumption solutions in the industry. It includes the most advanced Ethernet energy efficiency features for bringing green technology solutions to market.

A rich set of Ethernet switching features, such as Layer 2 forwarding with VLAN and QoS processing, enables the delivery of differentiated services. The VSC7421-04 device contains an 8051 CPU for light management of the switch.

A comprehensive application software package is provided for LED control, loop indication, device overheat protection, and other enhanced functions.

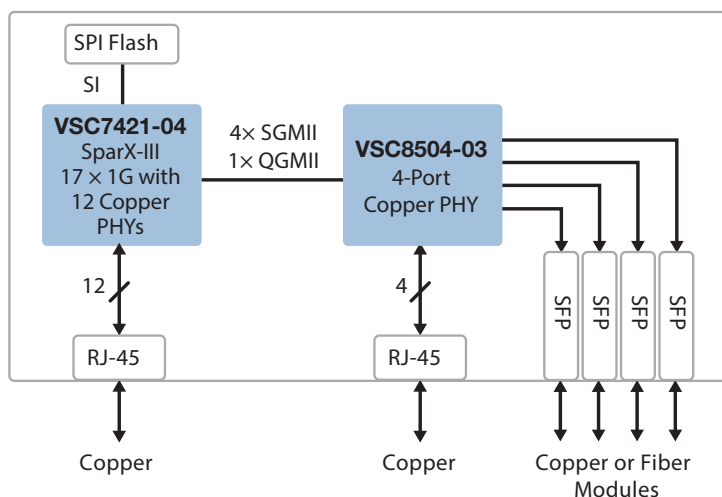
Highlights

- Supports IEEE 802.3az and green energy efficiency modes with ActiPHY™ and PerfectReach™
- Lowest BOM solution requires only two ICs
- One QSGMII MAC interface and up to four SGMII ports with 100 Mbps and 1 Gbps fiber support

Applications

- Unmanaged and Lightly Managed Ethernet switches
- Industrial switches and routers
- Customer premises equipment (CPE) and outdoor equipment
- VPN, firewall, and UTM appliances

VSC7421-04 in a 16-Port 1-Gigabit Industrial Switch Application



Microsemi makes no warranty, representation, or guarantee regarding the information contained herein or the suitability of its products and services for any particular purpose, nor does Microsemi assume any liability whatsoever arising out of the application or use of any product or circuit. The products sold hereunder and any other products sold by Microsemi have been subject to limited testing and should not be used in conjunction with mission-critical equipment or applications. Any performance specifications are believed to be reliable but are not verified, and Buyer must conduct and complete all performance and other testing of the products, alone and together with, or installed in, any end-products. Buyer shall not rely on any data and performance specifications or parameters provided by Microsemi. It is the Buyer's responsibility to independently determine suitability of any products and to test and verify the same. The information provided by Microsemi hereunder is provided "as is, where is" and with all faults, and the entire risk associated with such information is entirely with the Buyer. Microsemi does not grant, explicitly or implicitly, to any party any patent rights, licenses, or any other IP rights, whether with regard to such information itself or anything described by such information. Information provided in this document is proprietary to Microsemi, and Microsemi reserves the right to make any changes to the information in this document or to any products and services at any time without notice.

VSC7421-04

17-Port Layer 2 Gigabit Ethernet Switch with 12 Fully Integrated Copper PHYs

Best-In-Class Power Consumption

- Lowest power 17-port Gigabit Ethernet switch available in the market
- Green energy efficiency modes including ActiPHY™, Perfect-Reach™, and Draft IEEE 802.3az
- Two ICs reduce overall power requirements
- Optimal power consumption for all link speeds

Features

- Twelve integrated IEEE 802.3ab-compliant 10/100/1000BASE-T Ethernet copper transceivers with VeriPHY™ cables diagnostics
- Two configuration options: 12 × CuPHY + 2 × 1G SGMII + 2 × 1G/2.5G SGMII, 12 × CuPHY + 1 × QSGMII + 1 × 1G/2.5G SGMII
- Integrated 250 MHz 8051 CPU with 64 KB internal storage
- Serial interface for external CPU register access
- Device overheat protection
- Hardware loop detection
- Integrated fan controller
- 8K MAC addresses and 4K VLAN support
- Push/pop VLAN tag
- Supports IEEE 1149.1 JTAG boundary scan, IEEE 1149.6 JTAG, 1 Gbps SGMII, and 100BASE-FX and 1000BASE-X

Layer 2 Switching

- 17-port Gigabit Ethernet switch with nonblocking wire-speed performance
- Link aggregation (IEEE 802.3ad) with programmable traffic distribution based on Layer 2 through Layer 4 information

- Wire-speed hardware-based learning and CPU-based learning configurable per port
- Independent and shared VLAN learning
- Jumbo frame support up to 12.2 kilobytes with per-port programmable MTU
- Provider Bridging (VLAN Q-in-Q) support (IEEE 802.1ad)
- 4 megabits of integrated shared packet memory

QoS

- Eight QoS queues per port with strict or deficit-weighted round robin scheduling
- QoS classification based on IEEE 802.1p and IPv4/IPv6 DSCP
- Data rate shaper and policer per-queue, per-port for both ingress and egress directions
- Full-duplex flow control (IEEE 802.3x) and halfduplex backpressure, symmetric and asymmetric
- Multicast and broadcast storm control with flooding control

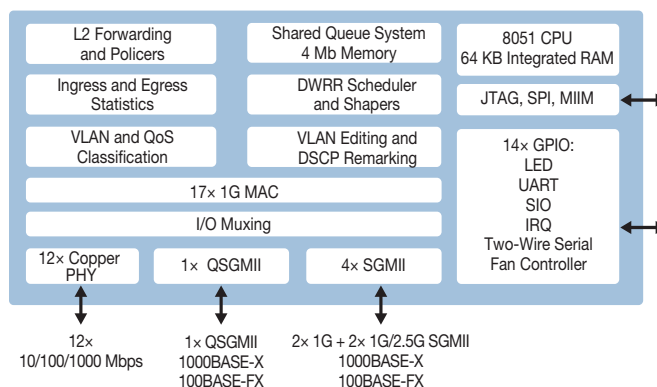
Key Specifications

- 1 V core power supply
- 2.5 V I/O power supplies
- -40 °C to 125 °C temperature range

Related Products

Visit www.microsemi.com for information about these related products:

- Ethernet switches
- 1G copper PHYs
- MACs



Microsemi

Microsemi Corporate Headquarters
 One Enterprise, Aliso Viejo, CA 92656 USA
 Within the USA: +1 (800) 713-4113
 Outside the USA: +1 (949) 380-6100
 Sales: +1 (949) 380-6136
 Fax: +1 (949) 215-4996
 email: sales.support@microsemi.com
www.microsemi.com

Microsemi Corporation (Nasdaq: MSCC) offers a comprehensive portfolio of semiconductor and system solutions for communications, defense and security, aerospace, and industrial markets. Products include high-performance and radiation-hardened analog mixed-signal integrated circuits, FPGAs, SoCs, and ASICs; power management products; timing and synchronization devices and precise time solutions; voice processing devices; RF solutions; discrete components; enterprise storage and communications solutions, security technologies, and scalable anti-tamper products; Ethernet solutions; Power-over-Ethernet ICs and midspans; custom design capabilities and services. Microsemi is headquartered in Aliso Viejo, California, and has approximately 4,800 employees worldwide. Learn more at www.microsemi.com.

Looking for pricing, stock, or lifecycle information?

Click below to explore more details on WIN SOURCE:

[View VSC7421XJG-04 on WIN SOURCE](#)

[Microchip Technology](#) Information

Optimize Your Supply Chain with WIN SOURCE Solutions

- ✓ Global Sourcing Solution
- ✓ Obsolete Management
- ✓ Cost Control Management
- ✓ Shortage Management
- ✓ Alternative Solution
- ✓ Excess Inventory Management