



**THE DATASHEET OF
XM3C-0922-112**



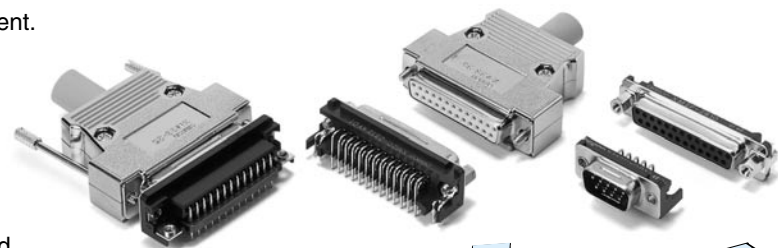
XM2/XM3

D-sub Connectors

D-sub Connectors Ideal for Interfacing with OA Equipment

OA:Office Automation

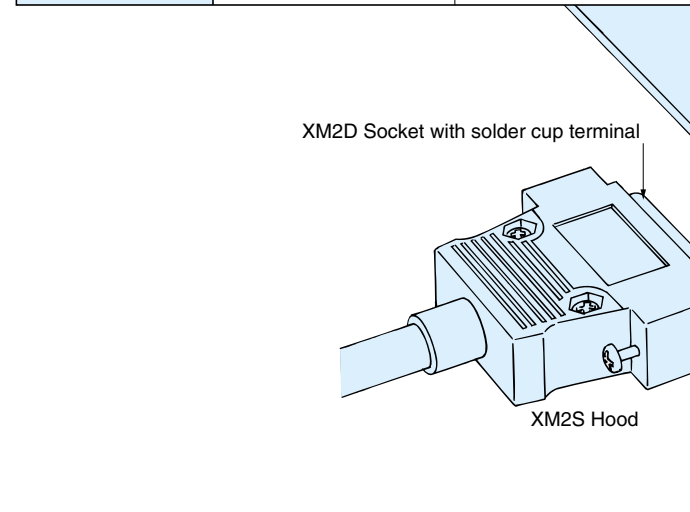
- D-sub Connectors Ideal for Interfacing with OA Equipment.
- Shielded connectors that prevent EMI.
- Noise can be suppressed effectively by using the XM2S Plastic Hood with metallic finish.
- XM3B-F multi-hole ferrite-core models are also available. Use these models to suppress high-frequency noise and save PCB mounting space.
- Compact and tough structure with a metal shell provided.
- A wide variety of mounting brackets and grounding metals are available.



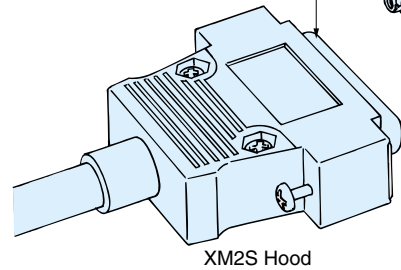
Connection Examples

●XM2F Sockets with Straight Terminal

| | | |
|--------------------|------------|------------|
| Shape | | |
| Number of contacts | 9,15,25,37 | 9,15,25,37 |



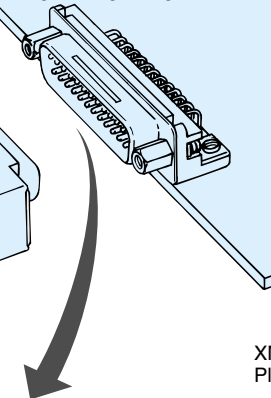
XM2D Socket with solder cup terminal



●XM2C Plugs with Right Angle Terminal

| | |
|--------------------|------------|
| Shape | |
| Number of contacts | 9,15,25,37 |

XM2C Plug with right angle terminal



XM2A Plug with solder cup terminal

XM2S Hood

XM3B Socket with right angle terminal

XM3B-F Socket with right angle terminal and ferrite core

XM2F Socket with straight terminal

XM2S Hood

XM2A Plug with solder cup terminal

●XM3B Sockets with Right Angle Terminal

| | | |
|--------------------|------------|------------|
| Shape | | |
| Number of contacts | 9,15,25,37 | 9,15,25,37 |


●Hood/Solder Cup Terminal

| | | | |
|--------------------|------------|------------|------------|
| Shape | | | |
| Number of contacts | 9,15,25,37 | 9,15,25,37 | 9,15,25,37 |

XM2Z-007□ Mounting Bracket 5 (with jack screws)

Looking for pricing, stock, or lifecycle information?

Click below to explore more details on WIN SOURCE:

 [View XM3C-0922-112 on WIN SOURCE](#)

 [Omron Information](#)

Optimize Your Supply Chain with WIN SOURCE Solutions

-  Global Sourcing Solution
-  Obsolete Management
-  Cost Control Management
-  Shortage Management
-  Alternative Solution
-  Excess Inventory Management