



**THE DATASHEET OF  
DG308BDY-T1-E3**



## Improved Quad CMOS Analog Switches

### DESCRIPTION

The DG308B, DG309B analog switches are highly improved versions of the industry-standard DG308A, DG309. These devices are fabricated in Vishay Siliconix' proprietary silicon gate CMOS process, resulting in lower on-resistance, lower leakage, higher speed, and lower power consumption.

These quad single-pole single-throw switches are designed for a wide variety of applications in telecommunications, instrumentation, process control, computer peripherals, etc.

An improved charge injection compensation design minimizes switching transients. The DG308B and DG309B can handle up to  $\pm 22$  V input signals. An epitaxial layer prevents latchup.

All devices feature true bi-directional performance in the on condition, and will block signals to the supply levels in the off condition.

The DG308B is a normally open switch and the DG309B is a normally closed switch. (see Truth Table.)

### FEATURES

- $\pm 22$  V supply voltage rating
- CMOS compatible logic
- Low on-resistance -  $R_{DS(on)}$ :  $45 \Omega$
- Low leakage -  $I_{D(on)}$ :  $20 \text{ pA}$
- Single supply operation possible
- Extended temperature range
- Fast switching -  $t_{ON}$ :  $< 200 \text{ ns}$
- Low glitching -  $Q$ :  $1 \text{ pC}$



**RoHS\***  
COMPLIANT

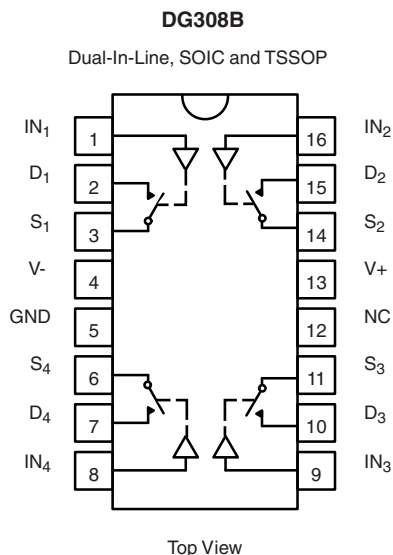
### BENEFITS

- Wide analog signal range
- Simple logic interface
- Higher accuracy
- Minimum transients
- Reduced power consumption
- Superior to DG308A, DG309
- Space savings (TSSOP)

### APPLICATIONS

- Industrial instrumentation
- Test equipment
- Communications systems
- Disk drives
- Computer peripherals
- Portable instruments
- Sample-and-hold circuits

### FUNCTIONAL BLOCK DIAGRAM AND PIN CONFIGURATION



| TRUTH TABLE |        |        |
|-------------|--------|--------|
| Logic       | DG308B | DG309B |
| 0           | OFF    | ON     |
| 1           | ON     | OFF    |

Logic "0"  $\leq 3.5$  V  
Logic "1"  $\geq 11$  V

\* Pb containing terminations are not RoHS compliant, exemptions may apply



| ORDERING INFORMATION |                    |  |
|----------------------|--------------------|--|
| Temp. Range          | Package            | Part Number  |
| - 40 °C to 85 °C     | 16-Pin PlasticDIP  | DG308BDJ<br>DG308BDJ-E3                                  |
|                      |                    | DG309BDJ<br>DG309BDJ-E3                                  |
|                      | 16-Pin Narrow SOIC | DG308BDY<br>DG308BDY-E3<br>DG308BDY-T1<br>DG308BDY-T1-E3 |
|                      |                    | DG309BDY<br>DG309BDY-E3<br>DG309BDY-T1<br>DG309BDY-T1-E3 |
|                      | 16-Pin TSSOP       | DG308BDQ<br>DG308BDQ-E3<br>DG308BDQ-T1<br>DG308BDQ-T1-E3 |
|                      |                    | DG309BDQ<br>DG309BDQ-E3<br>DG309BDQ-T1<br>DG309BDQ-T1-E3 |

| ABSOLUTE MAXIMUM RATINGS                                      |   |   |      |
|---|---|---|------|
| Parameter   |   | Limit   | Unit |
| Voltages Referenced, V <sub>+</sub> to V <sub>-</sub>         |   | 44  | V    |
| GND   |   | 25  |      |
| Digital Inputs <sup>a</sup> , V <sub>S</sub> , V <sub>D</sub> |   | (V <sub>-</sub> ) - 2 to (V <sub>+</sub> ) + 2<br>or<br>30 mA, whichever occurs first |      |
| Current, Any Terminal   |   | 30  | mA   |
| Peak Current, S or D (Pulsed at 1 ms, 10 % duty cycle max.)   |   | 100   |      |
| Storage Temperature   | (AK Suffix)                               | - 65 to 150   | °C   |
|   | (DJ, DY and DQ Suffix)                    | - 65 to 125   |      |
| Power Dissipation (Package) <sup>b</sup>                      | 16-Pin Plastic DIP <sup>c</sup>           | 470   | mW   |
|   | 16-Pin Narrow SOIC and TSSOP <sup>d</sup> | 640   |      |
|   | 16-Pin CerDIP <sup>e</sup>                | 900   |      |

Notes:

- a. Signals on S<sub>X</sub>, D<sub>X</sub>, or IN<sub>X</sub> exceeding V<sub>+</sub> or V<sub>-</sub> will be clamped by internal diodes. Limit forward diode current to maximum current ratings.
- b. All leads welded or soldered to PC board.
- c. Derate 6.5 mW/°C above 75 °C.
- d. Derate 7.6 mW/°C above 75 °C.
- e. Derate 12 mW/°C above 75 °C.



| SPECIFICATIONS <sup>a</sup>                 |                        |  |                    |                   |                               |                   |                              |                   |               |
|---|------------------------|--|--------------------|-------------------|-------------------------------|-------------------|------------------------------|-------------------|---------------|
| Parameter                                   | Symbol                 | Test Conditions<br>Unless Specified<br>$V_+ = 15\text{ V}$ , $V_- = -15\text{ V}$<br>$V_{IN} = 11\text{ V}$ , $3.5\text{ V}^f$ | Temp. <sup>b</sup> | Typ. <sup>c</sup> | A Suffix<br>- 55 °C to 125 °C |                   | D Suffix<br>- 40 °C to 85 °C |                   | Unit          |
|   |                        |  |                    |                   | Min. <sup>d</sup>             | Max. <sup>d</sup> | Min. <sup>d</sup>            | Max. <sup>d</sup> |               |
| <b>Analog Switch</b>                        |                        |  |                    |                   |                               |                   |                              |                   |               |
| Analog Signal Range <sup>e</sup>            | $V_{ANALOG}$           |  | Full               |                   | - 15                          | 15                | - 15                         | 15                | V             |
| Drain-Source On-Resistance                  | $R_{DS(on)}$           | $V_D = \pm 10\text{ V}$ , $I_S = 1\text{ mA}$  | Room               | 45                |                               | 85                |                              | 85                | $\Omega$      |
| $R_{DS(on)}$ Match                          | $\Delta R_{DS(on)}$    |  | Room               | 2                 |                               |                   |                              |                   |               |
| Source Off Leakage Current                  | $I_{S(off)}$           | $V_S = \pm 14\text{ V}$ , $V_D = \pm 14\text{ V}$  | Room               | $\pm 0.01$        | - 0.5                         | 0.5               | - 0.5                        | 0.5               | nA            |
| Drain Off Leakage Current                   | $I_{D(off)}$           | $V_D = \pm 14\text{ V}$ , $V_S = \pm 14\text{ V}$  | Room               | $\pm 0.01$        | - 0.5                         | 0.5               | - 0.5                        | 0.5               |               |
| Drain On Leakage Current                    | $I_{D(on)}$            | $V_S = V_D = \pm 14\text{ V}$  | Room               | $\pm 0.02$        | - 0.5                         | 0.5               | - 0.5                        | 0.5               |               |
| <b>Digital Control</b>                      |                        |  |                    |                   |                               |                   |                              |                   |               |
| Input, Voltage High                         | $V_{INH}$              |  | Full               |                   | 11                            |                   | 11                           |                   | V             |
| Input, Voltage Low                          | $V_{INL}$              |  | Full               |                   |                               | 3.5               |                              | 3.5               |               |
| Input Current                               | $I_{INH}$ or $I_{INL}$ | $V_{INH}$ or $V_{INL}$   | Full               |                   | - 1                           | 1                 | - 1                          | 1                 | $\mu\text{A}$ |
| Input Capacitance                           | $C_{IN}$               |  | Room               | 5                 |                               |                   |                              |                   | pF            |
| <b>Dynamic Characteristics</b>              |                        |  |                    |                   |                               |                   |                              |                   |               |
| Turn-On Time                                | $t_{ON}$               | $V_S = 3\text{ V}$ , see figure 2  | Room               |                   |                               | 200               |                              | 200               | ns            |
| Turn-Off Time                               | $t_{OFF}$              |  | Room               |                   |                               |                   | 150                          |                   |               |
| Charge Injection                            | Q                      | $C_L = 1000\text{ pF}$ , $V_g = 0\text{ V}$ , $R_g = 0\ \Omega$  | Room               | 1                 |                               |                   |                              |                   | pC            |
| Source-Off Capacitance                      | $C_{S(off)}$           | $V_S = 0\text{ V}$ , $f = 1\text{ MHz}$ ,  | Room               | 5                 |                               |                   |                              |                   | pF            |
| Drain-Off Capacitance                       | $C_{D(off)}$           |  | Room               | 5                 |                               |                   |                              |                   |               |
| Channel-On Capacitance                      | $C_{D(on)}$            | $V_D = V_S = 0\text{ V}$ , $f = 1\text{ MHz}$  | Room               | 16                |                               |                   |                              |                   |               |
| Off-Isolation                               | OIRR                   | $C_L = 15\text{ pF}$ , $R_L = 50\ \Omega$ ,<br>$V_S = 1\text{ V}_{RMS}$ , $f = 100\text{ kHz}$                                 | Room               | 90                |                               |                   |                              |                   | dB            |
| Channel-to-Channel Crosstalk                | $X_{TALK}$             |  | Room               | 95                |                               |                   |                              |                   |               |
| <b>Power Supply</b>                         |                        |  |                    |                   |                               |                   |                              |                   |               |
| Positive Supply Current                     | I+                     | $V_{IN} = 0\text{ V}$ or $15\text{ V}$   | Room               |                   |                               | 1                 |                              | 1                 | $\mu\text{A}$ |
| Negative Supply Current                     | I-                     |  | Room               |                   |                               | - 1               |                              | - 1               |               |
| Power Supply Range for Continuous Operation | $V_{OP}$               |  | Full               |                   | $\pm 4$                       | $\pm 22$          | $\pm 4$                      | $\pm 22$          | V             |

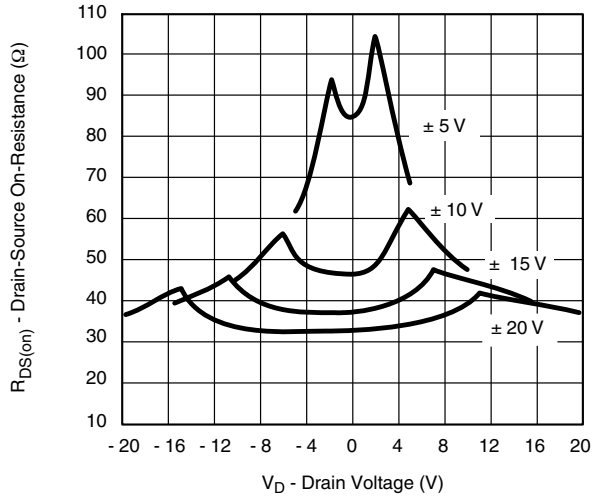
| <b>SPECIFICATIONS<sup>a</sup></b> (for Single Supply) |              |  |                    |                   |                               |                   |                              |                   |               |
|---|--------------|--|--------------------|-------------------|-------------------------------|-------------------|------------------------------|-------------------|---------------|
| Parameter   | Symbol       | Test Conditions<br>Unless Specified<br>$V_+ = 12\text{ V}$ , $V_- = 0\text{ V}$<br>$V_{IN} = 11\text{ V}$ , $3.5\text{ V}^f$ | Temp. <sup>b</sup> | Typ. <sup>c</sup> | A Suffix<br>- 55 °C to 125 °C |                   | D Suffix<br>- 40 °C to 85 °C |                   | Unit          |
|   |              |  |                    |                   | Min. <sup>d</sup>             | Max. <sup>d</sup> | Min. <sup>d</sup>            | Max. <sup>d</sup> |               |
| <b>Analog Switch</b>                                  |              |  |                    |                   |                               |                   |                              |                   |               |
| Analog Signal Range <sup>e</sup>                      | $V_{ANALOG}$ |  | Full               |                   | 0                             | 12                | 0                            | 12                | V             |
| Drain-Source On-Resistance                            | $R_{DS(on)}$ | $V_D = 3\text{ V}$ , $8\text{ V}$ , $I_S = 1\text{ mA}$  | Room Full          | 90                |                               | 160<br>200        |                              | 160<br>200        | $\Omega$      |
| <b>Dynamic Characteristics</b>                        |              |  |                    |                   |                               |                   |                              |                   |               |
| Turn-On Time  | $t_{ON}$     | $V_S = 8\text{ V}$ , see figure 2  | Room               |                   |                               | 300               |                              | 300               | ns            |
| Turn-Off Time   | $t_{OFF}$    |  | Room               |                   |                               | 200               |                              | 200               |               |
| Charge Injection                                      | Q            | $C_L = 1\text{ nF}$ , $V_{gen} = 6\text{ V}$ , $R_{gen} = 0\ \Omega$   | Room               | 4                 |                               |                   |                              |                   | pC            |
| <b>Power Supply</b>                                   |              |  |                    |                   |                               |                   |                              |                   |               |
| Positive Supply Current                               | I+           | $V_{IN} = 0\text{ V}$ or $12\text{ V}$   | Room Full          |                   |                               | 1<br>5            |                              | 1<br>5            | $\mu\text{A}$ |
| Negative Supply Current                               | I-           |  | Room Full          |                   |                               | - 1<br>- 5        |                              | - 1<br>- 5        |               |
| Power Supply Range for Continuous Operation           | $V_{OP}$     |  | Full               |                   | 4                             | 44                | 4                            | 44                | V             |

Notes:

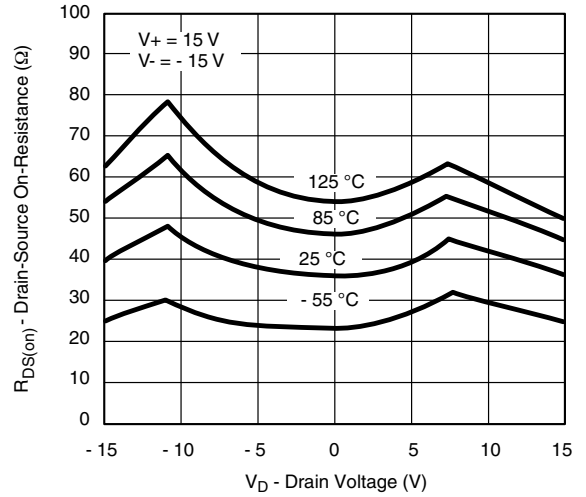
- Refer to PROCESS OPTION FLOWCHART .
- Room = 25 °C, Full = as determined by the operating temperature suffix.
- Typical values are for DESIGN AID ONLY, not guaranteed nor subject to production testing.
- The algebraic convention whereby the most negative value is a minimum and the most positive a maximum, is used in this data sheet.
- Guaranteed by design, not subject to production test.
- $V_{IN}$  = input voltage to perform proper function.

Stresses beyond those listed under "Absolute Maximum Ratings" may cause permanent damage to the device. These are stress ratings only, and functional operation of the device at these or any other conditions beyond those indicated in the operational sections of the specifications is not implied. Exposure to absolute maximum rating conditions for extended periods may affect device reliability.

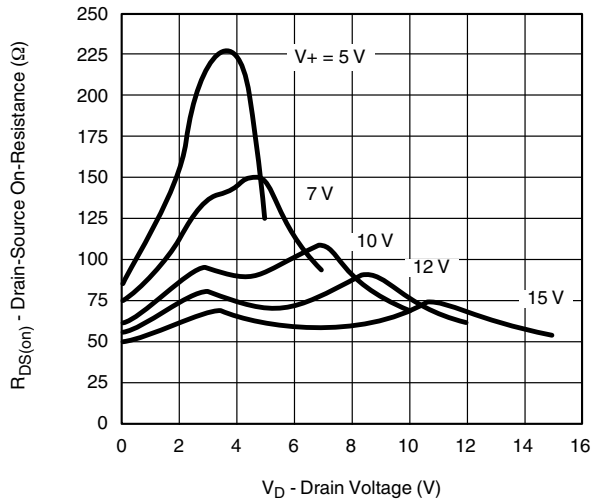
## TYPICAL CHARACTERISTICS (25 °C, unless otherwise noted)



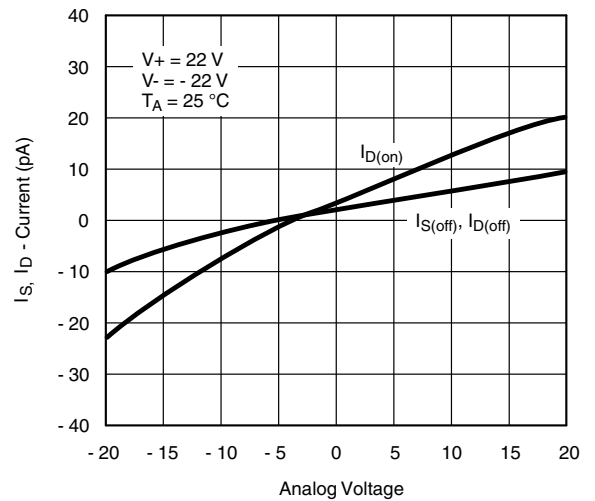
**$R_{DS(on)}$  vs.  $V_D$  and Power Supply Voltages**



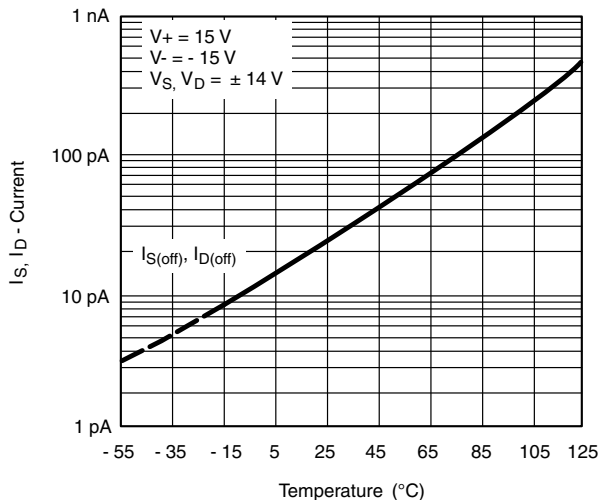
**$R_{DS(on)}$  vs.  $V_D$  and Temperature**



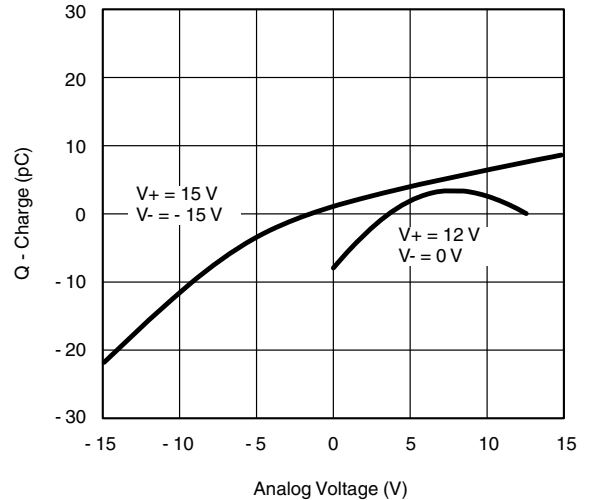
**$R_{DS(on)}$  vs.  $V_D$  and Single Power Supply Voltages**



**Leakage Currents vs. Analog Voltage**

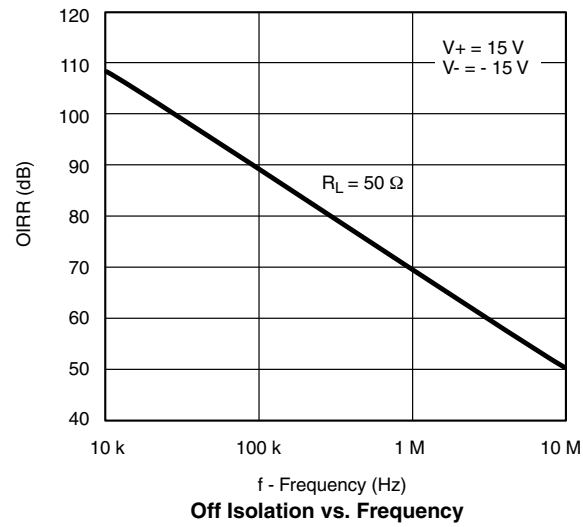


**Leakage Currents vs. Temperature**



**$Q_S, Q_D$  - Charge Injection vs. Analog Voltage**

## TYPICAL CHARACTERISTICS (25 °C, unless otherwise noted)



## SCHEMATIC DIAGRAM (Typical Channel)

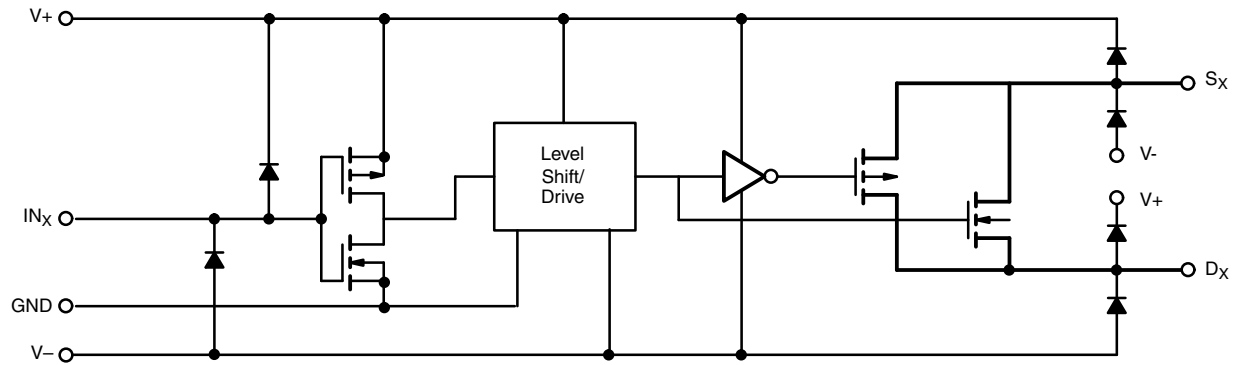
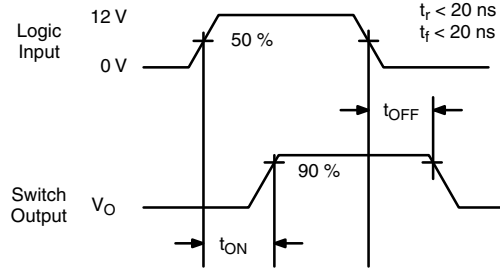
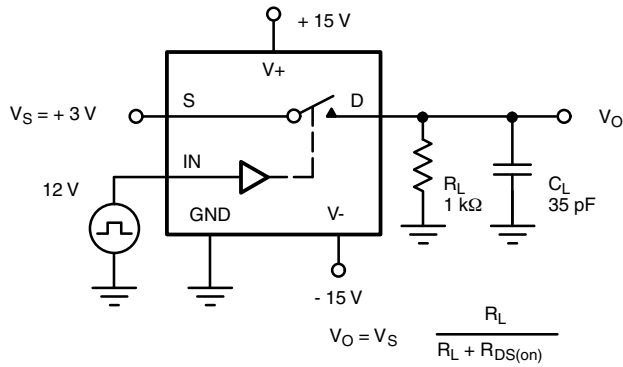
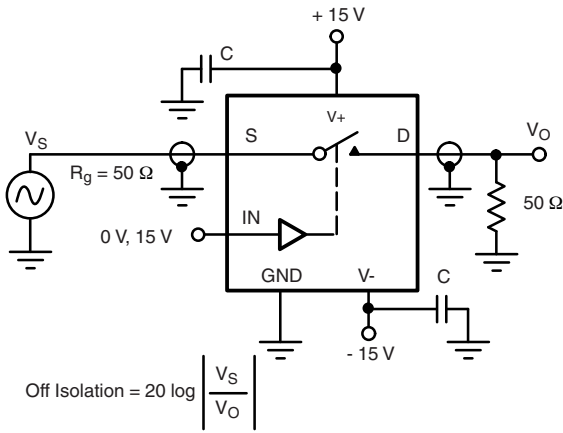


Figure 1.

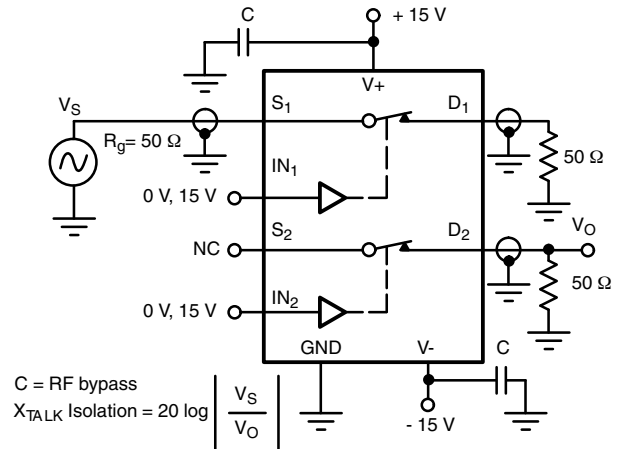
**TEST CIRCUITS**



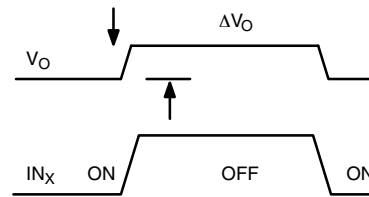
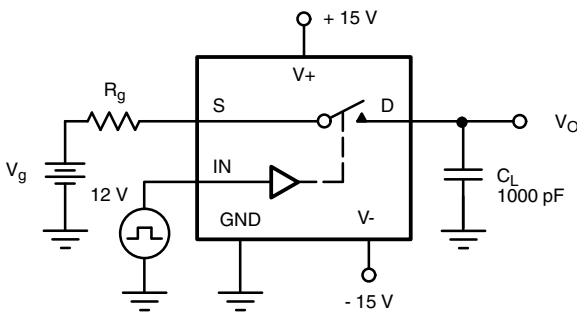
**Figure 2. Switching Time**



**Figure 3. Off Isolation**



**Figure 4. Channel-to-Channel Crosstalk**



$\Delta V_O$  = measured voltage error due to charge injection  
The charge injection in coulombs is  $Q = C_L \times \Delta V_O$

**Figure 5. Charge Injection**

## APPLICATIONS

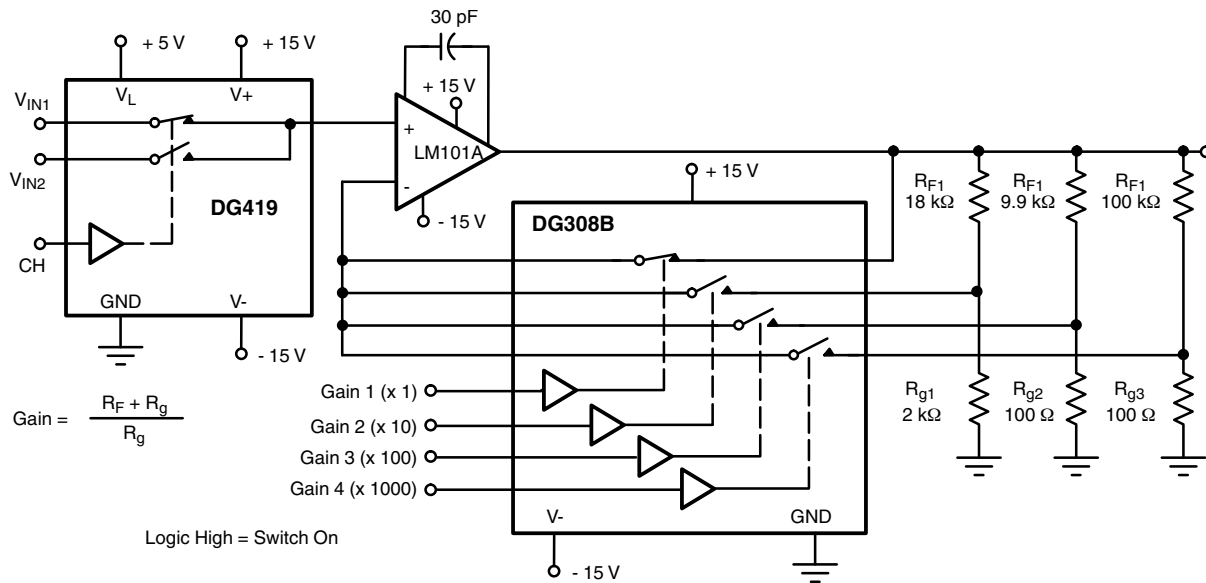


Figure 6. A Precision Amplifier with Digitally Programmable Inputs and Gains

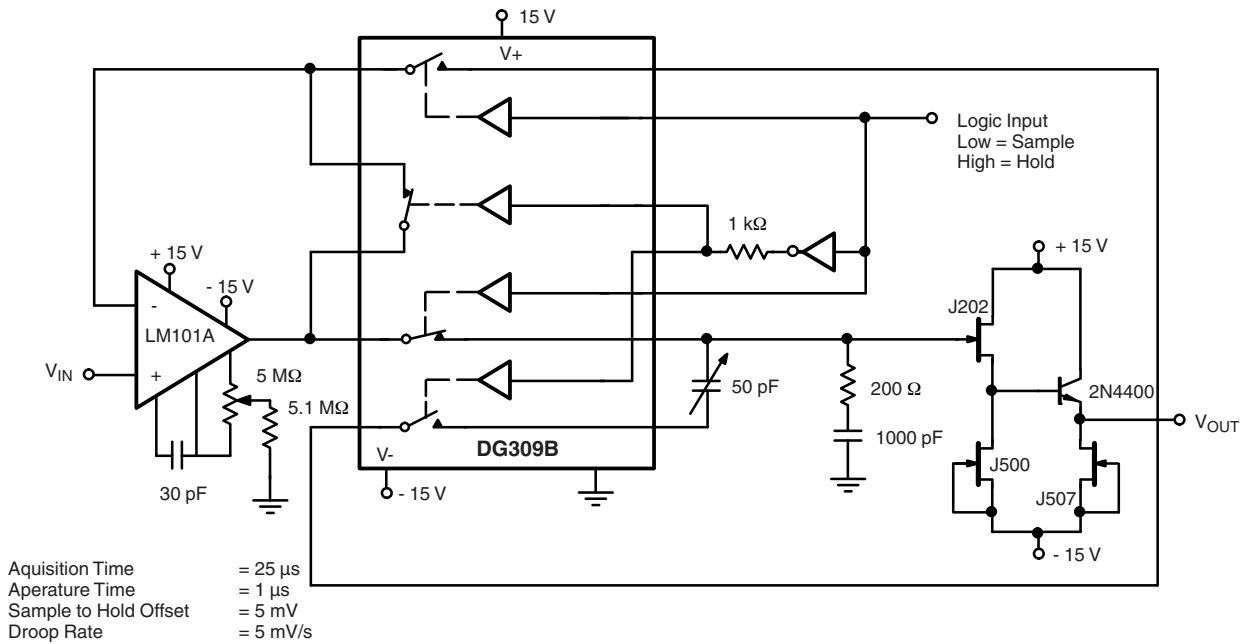
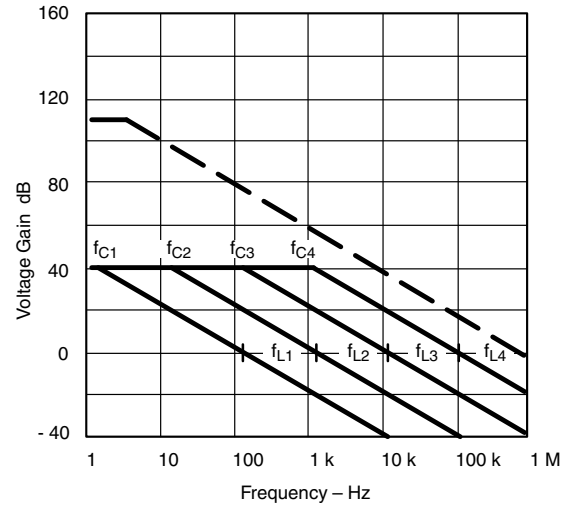
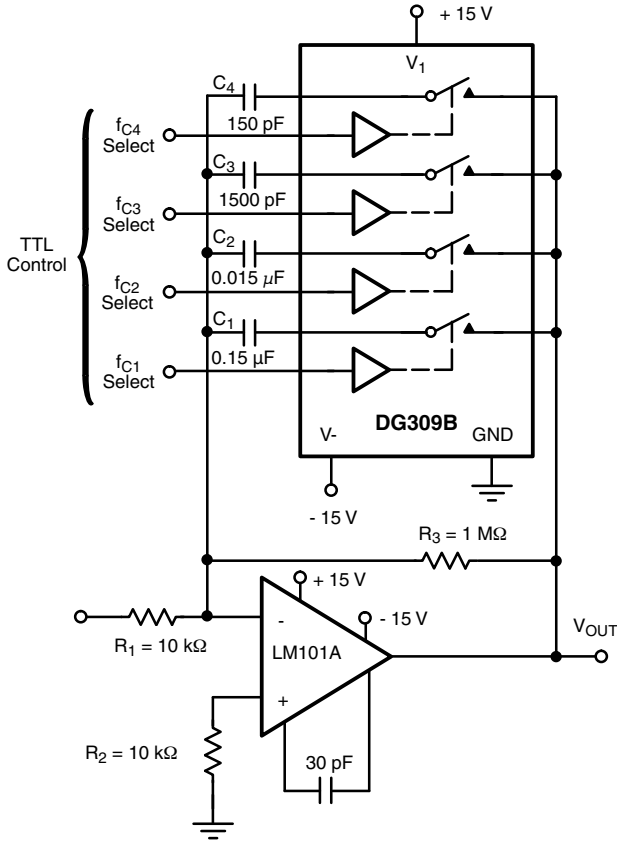


Figure 7. Sample-and-Hold

APPLICATIONS



$$A_L \text{ (Voltage Gain Below Break Frequency)} = \frac{R_3}{R_1} = 100 \text{ (40 dB)}$$

$$f_C \text{ (Break Frequency)} = \frac{1}{2\pi R_3 C_X}$$

$$f_L \text{ (Unity Gain Frequency)} = \frac{1}{2\pi R_1 C_X}$$

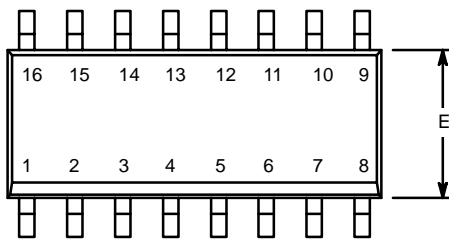
$$\text{Max Attenuation} = \frac{R_{DS(on)}}{10 \text{ k}\Omega} \approx -40 \text{ dB}$$

Figure 8. Active Low Pass Filter with Digitally Selected Break Frequency

Vishay Siliconix maintains worldwide manufacturing capability. Products may be manufactured at one of several qualified locations. Reliability data for Silicon Technology and Package Reliability represent a composite of all qualified locations. For related documents such as package/tape drawings, part marking, and reliability data, see [www.vishay.com/ppg?70047](http://www.vishay.com/ppg?70047).

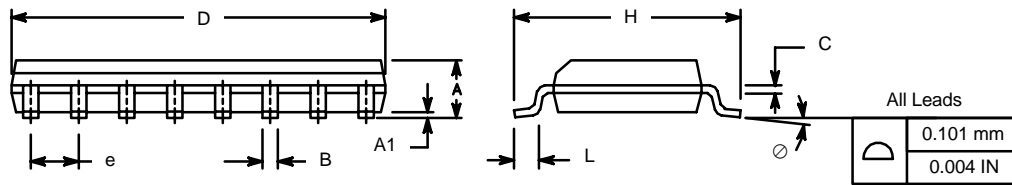


**SOIC (NARROW): 16-LEAD**  
JEDEC Part Number: MS-012

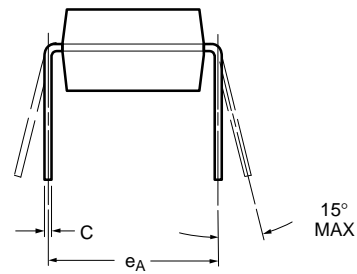
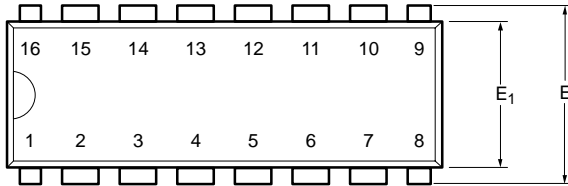


| Dim            | MILLIMETERS |       | INCHES    |       |
|----------------|-------------|-------|-----------|-------|
|                | Min         | Max   | Min       | Max   |
| A              | 1.35        | 1.75  | 0.053     | 0.069 |
| A <sub>1</sub> | 0.10        | 0.20  | 0.004     | 0.008 |
| B              | 0.38        | 0.51  | 0.015     | 0.020 |
| C              | 0.18        | 0.23  | 0.007     | 0.009 |
| D              | 9.80        | 10.00 | 0.385     | 0.393 |
| E              | 3.80        | 4.00  | 0.149     | 0.157 |
| e              | 1.27 BSC    |       | 0.050 BSC |       |
| H              | 5.80        | 6.20  | 0.228     | 0.244 |
| L              | 0.50        | 0.93  | 0.020     | 0.037 |
| ∅              | 0°          | 8°    | 0°        | 8°    |

ECN: S-03946—Rev. F, 09-Jul-01  
DWG: 5300



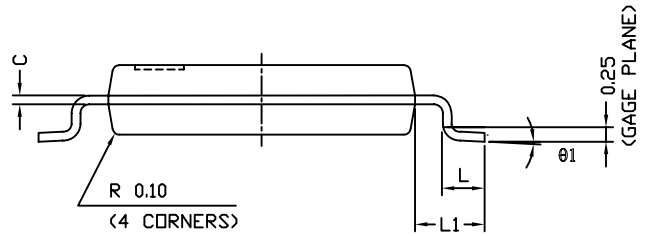
### PDIP: 16-LEAD



| Dim                  | MILLIMETERS |       | INCHES |       |
|----------------------|-------------|-------|--------|-------|
|                      | Min         | Max   | Min    | Max   |
| <b>A</b>             | 3.81        | 5.08  | 0.150  | 0.200 |
| <b>A<sub>1</sub></b> | 0.38        | 1.27  | 0.015  | 0.050 |
| <b>B</b>             | 0.38        | 0.51  | 0.015  | 0.020 |
| <b>B<sub>1</sub></b> | 0.89        | 1.65  | 0.035  | 0.065 |
| <b>C</b>             | 0.20        | 0.30  | 0.008  | 0.012 |
| <b>D</b>             | 18.93       | 21.33 | 0.745  | 0.840 |
| <b>E</b>             | 7.62        | 8.26  | 0.300  | 0.325 |
| <b>E<sub>1</sub></b> | 5.59        | 7.11  | 0.220  | 0.280 |
| <b>e<sub>1</sub></b> | 2.29        | 2.79  | 0.090  | 0.110 |
| <b>e<sub>A</sub></b> | 7.37        | 7.87  | 0.290  | 0.310 |
| <b>L</b>             | 2.79        | 3.81  | 0.110  | 0.150 |
| <b>Q<sub>1</sub></b> | 1.27        | 2.03  | 0.050  | 0.080 |
| <b>S</b>             | 0.38        | 1.52  | .015   | 0.060 |

ECN: S-03946—Rev. D, 09-Jul-01  
DWG: 5482

## TSSOP: 16-LEAD



| Symbols | DIMENSIONS IN MILLIMETERS |       |      |
|---------|---------------------------|-------|------|
|         | Min                       | Nom   | Max  |
| A       | -                         | 1.10  | 1.20 |
| A1      | 0.05                      | 0.10  | 0.15 |
| A2      | -                         | 1.00  | 1.05 |
| B       | 0.22                      | 0.28  | 0.38 |
| C       | -                         | 0.127 | -    |
| D       | 4.90                      | 5.00  | 5.10 |
| E       | 6.10                      | 6.40  | 6.70 |
| E1      | 4.30                      | 4.40  | 4.50 |
| e       | -                         | 0.65  | -    |
| L       | 0.50                      | 0.60  | 0.70 |
| L1      | 0.90                      | 1.00  | 1.10 |
| y       | -                         | -     | 0.10 |
| θ1      | 0°                        | 3°    | 6°   |

ECN: S-61920-Rev. D, 23-Oct-06  
DWG: 5624

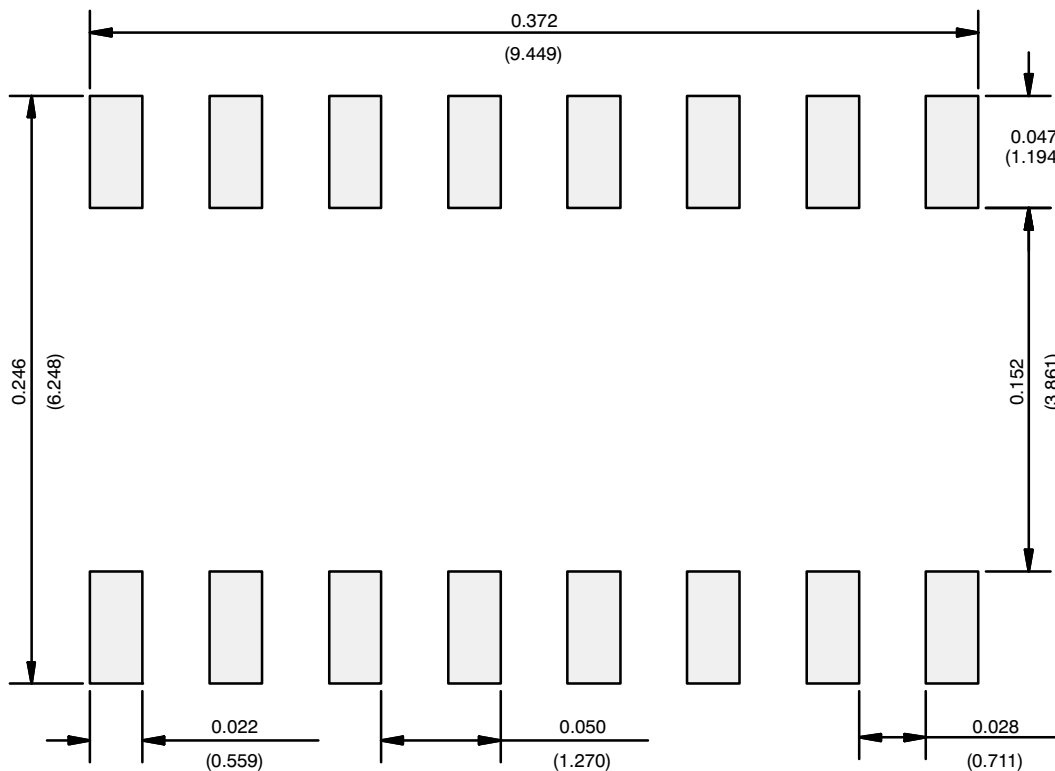


## RECOMMENDED MINIMUM PAD FOR TSSOP-16



Recommended Minimum Pads  
Dimensions in inches (mm)

## RECOMMENDED MINIMUM PADS FOR SO-16



Recommended Minimum Pads  
Dimensions in Inches/(mm)

[Return to Index](#)



## Disclaimer

ALL PRODUCT, PRODUCT SPECIFICATIONS AND DATA ARE SUBJECT TO CHANGE WITHOUT NOTICE TO IMPROVE RELIABILITY, FUNCTION OR DESIGN OR OTHERWISE.

Vishay Intertechnology, Inc., its affiliates, agents, and employees, and all persons acting on its or their behalf (collectively, "Vishay"), disclaim any and all liability for any errors, inaccuracies or incompleteness contained in any datasheet or in any other disclosure relating to any product.

Vishay makes no warranty, representation or guarantee regarding the suitability of the products for any particular purpose or the continuing production of any product. To the maximum extent permitted by applicable law, Vishay disclaims (i) any and all liability arising out of the application or use of any product, (ii) any and all liability, including without limitation special, consequential or incidental damages, and (iii) any and all implied warranties, including warranties of fitness for particular purpose, non-infringement and merchantability.

Statements regarding the suitability of products for certain types of applications are based on Vishay's knowledge of typical requirements that are often placed on Vishay products in generic applications. Such statements are not binding statements about the suitability of products for a particular application. It is the customer's responsibility to validate that a particular product with the properties described in the product specification is suitable for use in a particular application. Parameters provided in datasheets and / or specifications may vary in different applications and performance may vary over time. All operating parameters, including typical parameters, must be validated for each customer application by the customer's technical experts. Product specifications do not expand or otherwise modify Vishay's terms and conditions of purchase, including but not limited to the warranty expressed therein.

Hyperlinks included in this datasheet may direct users to third-party websites. These links are provided as a convenience and for informational purposes only. Inclusion of these hyperlinks does not constitute an endorsement or an approval by Vishay of any of the products, services or opinions of the corporation, organization or individual associated with the third-party website. Vishay disclaims any and all liability and bears no responsibility for the accuracy, legality or content of the third-party website or for that of subsequent links.

Except as expressly indicated in writing, Vishay products are not designed for use in medical, life-saving, or life-sustaining applications or for any other application in which the failure of the Vishay product could result in personal injury or death. Customers using or selling Vishay products not expressly indicated for use in such applications do so at their own risk. Please contact authorized Vishay personnel to obtain written terms and conditions regarding products designed for such applications.

No license, express or implied, by estoppel or otherwise, to any intellectual property rights is granted by this document or by any conduct of Vishay. Product names and markings noted herein may be trademarks of their respective owners.

## Looking for pricing, stock, or lifecycle information?

Click below to explore more details on WIN SOURCE:

 [View DG308BDY-T1-E3 on WIN SOURCE](#)

 [Vishay Information](#)

## Optimize Your Supply Chain with WIN SOURCE Solutions

-  Global Sourcing Solution
-  Obsolete Management
-  Cost Control Management
-  Shortage Management
-  Alternative Solution
-  Excess Inventory Management