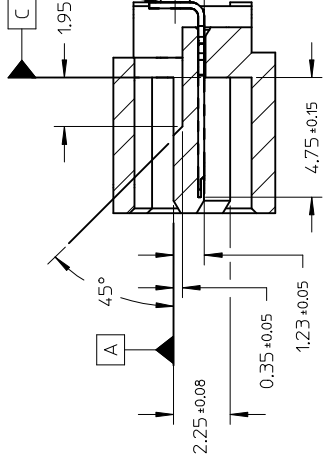
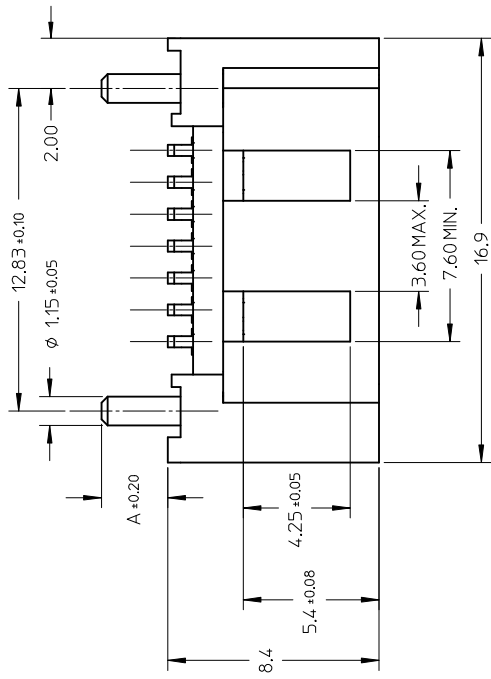




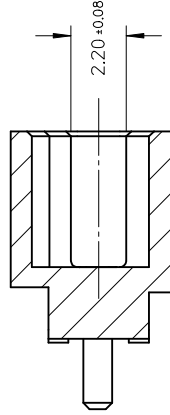
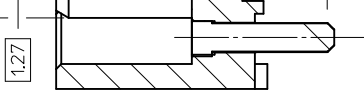
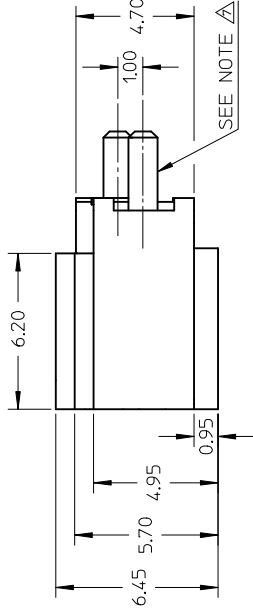
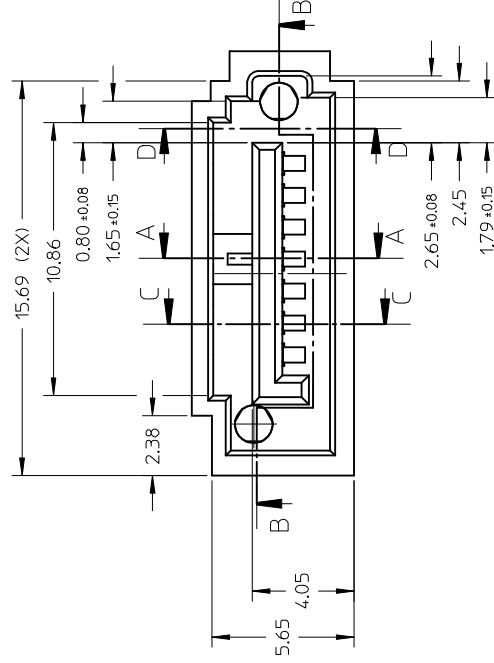
THE DATASHEET OF
0678005011



10 9 8 7 6 5 4 3



SECTION A-A



SECTION D-D

ADD PARTS EC NO: SH2014-0204 DRW:G:LLI 2013/11/20 APPR:AYIN 2014/01/20	QUALITY SYMBOLS $F=0$ $E=0$ $F=0$	GENERAL TOLERANCES (UNLESS SPECIFIED) mm ± --- INCH ± --- 4 PLACES ± --- 3 PLACES ± --- 2 PLACES ± 0.15 1 PLACE ± 0.25 0 PLACE ±	DIMENSION STYLE MM ONLY	TITLE 5:
	DESCRIPTION G	DRAFT WHERE APPLICABLE MUST REMAIN WITHIN DIMENSIONS	DRAWN BY GRATE MA	DATE 2004/02/02
	REV	MATERIAL NO. ANGULAR ± 1 °	CHECKED BY YA JUN	DATE 2004/02/02
	APPR:AYIN 2014/01/20	SEE CHART IN SHEET 2	APPROVED BY SAM	DATE 2004/02/02
	FC NO: SH2014-0204 DRW:G:LLI 2013/11/20	THIS DRAWING CONTAINS INFORMATION INCORPORATED AND SHOULD BE INCORPORATED AND SHOULD	DOCUMENT NO. SEE CHART IN SHEET 2	DATE 2004/02/02

10 9 8 7 6 5 4 3

Looking for pricing, stock, or lifecycle information?

Click below to explore more details on WIN SOURCE:

 [View 0678005011 on WIN SOURCE](#)

 [Molex, LLC Information](#)

Optimize Your Supply Chain with WIN SOURCE Solutions

-  Global Sourcing Solution
-  Obsolete Management
-  Cost Control Management
-  Shortage Management
-  Alternative Solution
-  Excess Inventory Management