



**THE DATASHEET OF
540BAA000244BBG**



Ultra Series™ Crystal Oscillator

Si540 Data Sheet

Ultra Low Jitter Any-Frequency XO (125 fs), 0.2 to 1500 MHz

The Si540 Ultra Series™ oscillator utilizes Skyworks Solutions' advanced 4th generation DSPLL® technology to provide an ultra-low jitter, low phase noise clock at any output frequency. The device is factory-programmed to any frequency from 0.2 to 1500 MHz with <1 ppb resolution and maintains exceptionally low jitter for both integer and fractional frequencies across its operating range. The Si540 offers excellent reliability and frequency stability as well as guaranteed aging performance. On-chip power supply filtering provides industry-leading power supply noise rejection, simplifying the task of generating low jitter clocks in noisy systems that use switched-mode power supplies. Offered in industry-standard footprints, the Si540 has a dramatically simplified supply chain that enables Skyworks to ship custom frequency samples 1-2 weeks after receipt of order. Unlike a traditional XO, where a different crystal is required for each output frequency, the Si540 uses one simple crystal and a DSPLL IC-based approach to provide the desired output frequency. This process also guarantees 100% electrical testing of every device. The Si540 is factory-configurable for a wide variety of user specifications, including frequency, output format, and OE pin location/polarity. Specific configurations are factory-programmed at time of shipment, eliminating the long lead times associated with custom oscillators.

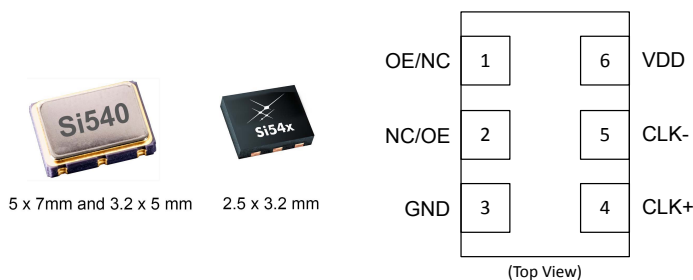
KEY FEATURES

- Available with any frequency from 0.2 MHz to 1500 MHz
- Very low jitter: 125 fs Typ RMS (12 kHz – 20 MHz)
- Excellent PSNR and supply noise immunity: -80 dBc Typ
- 7 ppm stability option (-40 to 85C)
- 3.3 V, 2.5 V and 1.8 V V_{DD} supply operation from the same part number
- LVPECL, LVDS, CML, HCSL, CMOS, and Dual CMOS output options
- 2.5x3.2, 3.2x5, 5x7 mm package options
- Any custom frequency available with 1-2 week lead times

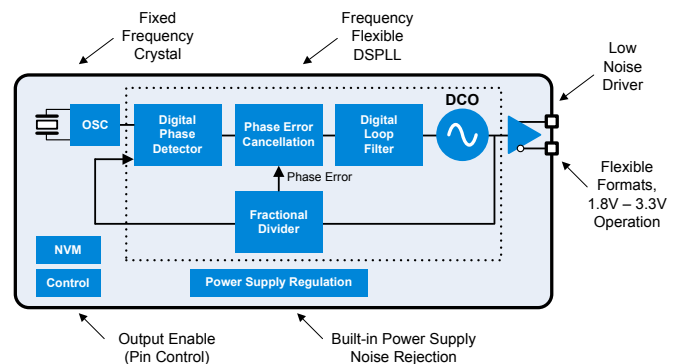
APPLICATIONS

- 100G/200G/400G OTN, coherent optics
- 10G/40G/100G optical ethernet
- 3G-SDI/12G-SDI/24G-SDI broadcast video
- Servers, switches, storage, NICs, search acceleration
- Test and measurement
- Clock and data recovery
- FPGA/ASIC clocking

Pin Assignments

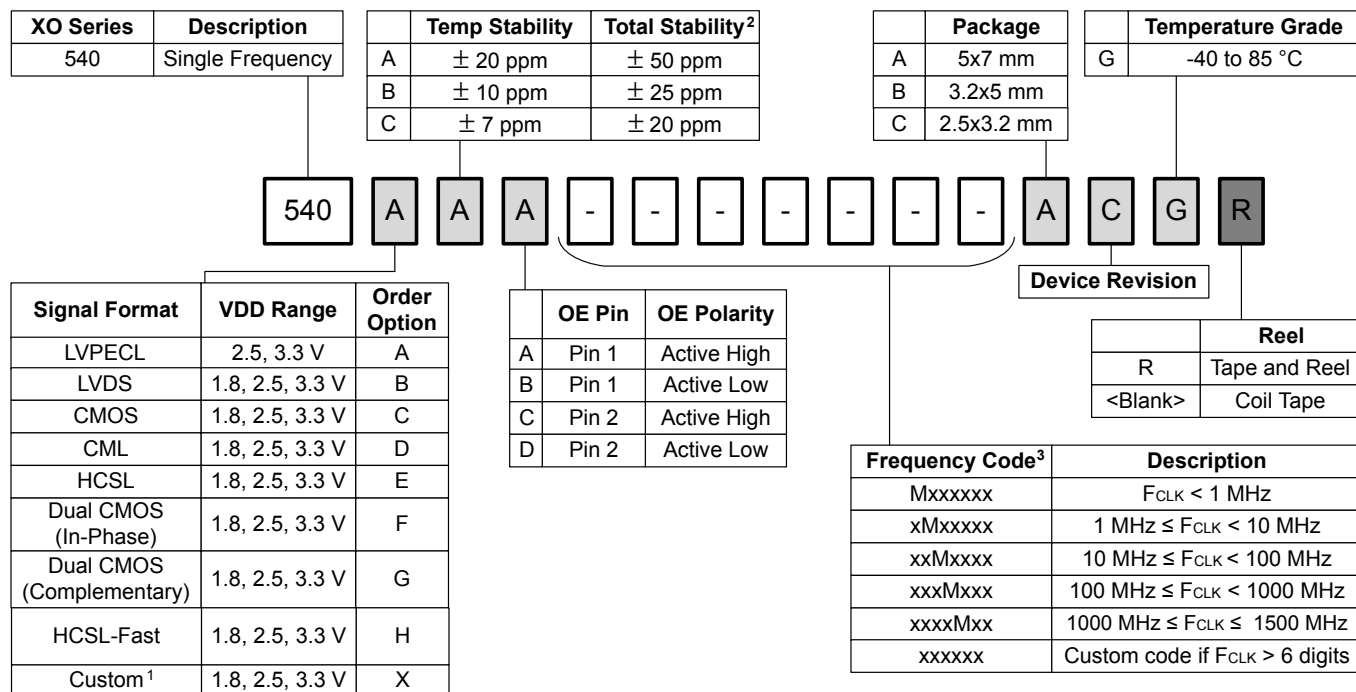


| Pin # | Descriptions |
|-------|---|
| 1, 2 | Selectable via ordering option OE = Output enable; NC = No connect |
| 3 | GND = Ground |
| 4 | CLK+ = Clock output |
| 5 | CLK- = Complementary clock output. Not used for CMOS. |
| 6 | VDD = Power supply |



1. Ordering Guide

The Si540 XO supports a variety of options including frequency, output format, and OE pin location/polarity, as shown in the chart below. Specific device configurations are programmed into the part at time of shipment, and samples are available in 1-2 weeks. Skyworks Solutions provides an online part number configuration utility to simplify this process. Refer to <https://www.skyworksinc.com/Products/Timing-Oscillators> to access this tool and for further ordering instructions.



Notes:

- Contact Skyworks for non-standard configurations.
- Total stability includes temp stability, initial accuracy, load pulling, VDD variation, and 20 year aging at 70 °C.
- For example: 156.25 MHz = 156M250; 25 MHz = 25M0000. Create custom part numbers at <https://www.skyworksinc.com/Products/Timing-Oscillators>.

1.1 Technical Support

| | |
|---------------------------------------|---|
| Frequently Asked Questions (FAQ) | https://www.skyworksinc.com/products/timing/ultra-series-crystal-oscillators-xo/si540 |
| Oscillator Phase Noise Lookup Utility | https://www.skyworksinc.com/tools/oscillator-phase-noise |
| Quality and Reliability | https://www.skyworksinc.com/Quality |
| Development Kits | https://www.skyworksinc.com/Products/Timing-Oscillators |

2. Electrical Specifications

Table 2.1. Electrical Specifications
 $V_{DD} = 1.8\text{ V}, 2.5\text{ V or }3.3\text{ V} \pm 5\%$, $T_A = -40\text{ to }85\text{ }^\circ\text{C}$

| Parameter | Symbol | Test Condition/Comment | Min | Typ | Max | Unit |
|--|------------|--|---------------------|-----|---------------------|------------------|
| Temperature Range | T_A | | -40 | — | 85 | $^\circ\text{C}$ |
| Frequency Range | F_{CLK} | LVPECL, LVDS, CML | 0.2 | — | 1500 | MHz |
| | | HCSL | 0.2 | — | 400 | MHz |
| | | CMOS, Dual CMOS | 0.2 | — | 250 | MHz |
| Supply Voltage | V_{DD} | 3.3 V | 3.135 | 3.3 | 3.465 | V |
| | | 2.5 V | 2.375 | 2.5 | 2.625 | V |
| | | 1.8 V | 1.71 | 1.8 | 1.89 | V |
| Supply Current | I_{DD} | LVPECL (output enabled) | — | 100 | 145 | mA |
| | | LVDS/CML (output enabled) | — | 75 | 111 | mA |
| | | HCSL (output enabled) | — | 80 | 125 | mA |
| | | HCSL-Fast (output enabled) | — | 88 | 137 | mA |
| | | CMOS (output enabled) | — | 74 | 108 | mA |
| | | Dual CMOS (output enabled) | — | 80 | 125 | mA |
| | | Tristate Hi-Z (output disabled) | — | 64 | 100 | mA |
| Temperature Stability | | Frequency stability Grade A | -20 | — | 20 | ppm |
| | | Frequency stability Grade B | -10 | — | 10 | ppm |
| | | Frequency stability Grade C | -7 | — | 7 | ppm |
| Total Stability ¹ | F_{STAB} | Frequency stability Grade A | -50 | — | 50 | ppm |
| | | Frequency stability Grade B | -25 | — | 25 | ppm |
| | | Frequency stability Grade C | -20 | — | 20 | ppm |
| Rise/Fall Time (20% to 80% V_{PP}) | T_R/T_F | LVPECL/LVDS/CML | — | — | 350 | ps |
| | | CMOS / Dual CMOS ($C_L = 5\text{ pF}$) | — | 0.5 | 1.5 | ns |
| | | HCSL, $F_{CLK} > 50\text{ MHz}$ | — | — | 550 | ps |
| | | HCSL-Fast, $F_{CLK} > 50\text{ MHz}$ | — | — | 275 | ps |
| Duty Cycle | D_C | All formats | 45 | — | 55 | % |
| Output Enable (OE) ² | V_{IH} | | $0.7 \times V_{DD}$ | — | — | V |
| | V_{IL} | | — | — | $0.3 \times V_{DD}$ | V |
| | T_D | Output Disable Time, $F_{CLK} > 10\text{ MHz}$ | — | — | 3 | μs |
| | T_E | Output Enable Time, $F_{CLK} > 10\text{ MHz}$ | — | — | 20 | μs |
| Powerup Time | t_{OSC} | Time from $0.9 \times V_{DD}$ until output frequency (F_{CLK}) within spec | — | — | 10 | ms |

| Parameter | Symbol | Test Condition/Comment | Min | Typ | Max | Unit |
|---|------------|---|----------------------|------|----------------------|----------|
| Powerup VDD Ramp Rate | V_{RAMP} | Fastest V_{DD} ramp rate allowed on startup | — | — | 100 | V/ms |
| LVPECL Output Option ³ | V_{OC} | Mid-level | $V_{DD} - 1.42$ | — | $V_{DD} - 1.25$ | V |
| | V_O | Swing (diff) | 1.1 | — | 1.9 | V_{PP} |
| LVDS Output Option ⁴ | V_{OC} | Mid-level (2.5 V, 3.3 V VDD) | 1.125 | 1.20 | 1.275 | V |
| | | Mid-level (1.8 V VDD) | 0.8 | 0.9 | 1.0 | V |
| | V_O | Swing ($F_{CLK} \leq 1.4$ GHz) | 0.6 | 0.7 | 0.9 | V_{PP} |
| | | Swing ($F_{CLK} > 1.4$ GHz) | 0.5 | 0.7 | 0.9 | V_{PP} |
| HCSL Output Option ⁵ HCSL-Fast Output Option ⁵ | V_{OH} | Output voltage high | 660 | 750 | 850 | mV |
| | V_{OL} | Output voltage low | -150 | 0 | 150 | mV |
| | V_C | Crossing voltage | 250 | 350 | 550 | mV |
| CML Output Option (AC-Coupled) | V_O | Swing (diff) | 0.6 | 0.8 | 1.0 | V_{PP} |
| CMOS Output Option | V_{OH} | $I_{OH} = 8/6/4$ mA for 3.3/2.5/1.8V VDD | $0.85 \times V_{DD}$ | — | — | V |
| | V_{OL} | $I_{OL} = 8/6/4$ mA for 3.3/2.5/1.8V VDD | — | — | $0.15 \times V_{DD}$ | V |

Notes:

- Total Stability includes temperature stability, initial accuracy, load pulling, VDD variation, and aging for 20 yrs at 70 °C.
- OE includes a 50 k Ω pull-up to VDD for OE active high. Includes a 50 k Ω pull-down to GND for OE active low. NC (No Connect) pins include a 50 k Ω pull-down to GND.
- 50 Ω to $V_{DD} - 2.0$ V. Additional DC current from the output driver will flow through the 50 Ω resistors, resulting in a shift in common mode voltage. The measurements in this table have accounted for this.
- $R_{term} = 100$ Ω (differential).
- 50 Ω to GND.

Table 2.2. Clock Output Phase Jitter and PSNR

$V_{DD} = 1.8$ V, 2.5 or 3.3 V \pm 5%, $T_A = -40$ to 85 °C

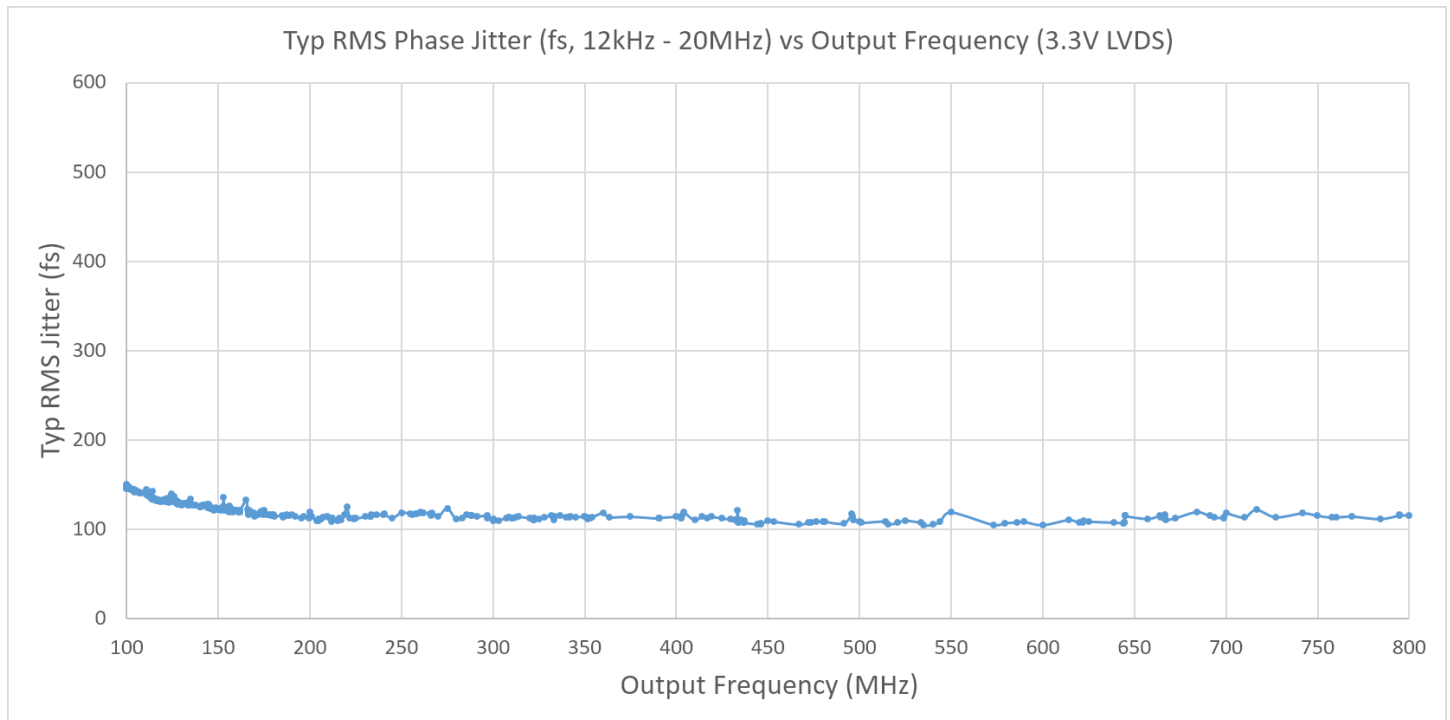
| Parameter | Symbol | Test Condition/Comment | Min | Typ | Max | Unit |
|--|----------|------------------------|-----|-----|-----|------|
| Phase Jitter (RMS, 12kHz - 20MHz) ¹ 2.5 x 3.2 mm, 3.2 x 5 mm, $F_{CLK} \geq 100$ MHz | ϕ_J | Differential Formats | — | 125 | 200 | fs |
| | | CMOS, Dual CMOS | — | 200 | — | fs |
| Phase Jitter (RMS, 12kHz - 20MHz) ¹ 5 x 7 mm, $F_{CLK} \geq 100$ MHz | ϕ_J | Differential Formats | — | 150 | 200 | fs |
| | | CMOS, Dual CMOS | — | 200 | — | fs |
| Spurs Induced by External Power Supply Noise, 50 mVpp Ripple. LVDS 156.25 MHz Output | PSNR | 100 kHz sine wave | — | -83 | — | dBc |
| | | 200 kHz sine wave | — | -83 | — | |
| | | 500 kHz sine wave | — | -82 | — | |
| | | 1 MHz sine wave | — | -85 | — | |

Note:

- Guaranteed by characterization. Jitter inclusive of any spurs.

Table 2.3. 3.2 x 5 mm Clock Output Phase Noise (Typical, 50ppm Total Stability Option)

| Offset Frequency (f) | 156.25 MHz LVDS | 200 MHz LVDS | 644.53125 MHz LVDS | Unit |
|----------------------|-------------------|----------------|----------------------|--------|
| 100 Hz | -110 | -107 | -99 | dBc/Hz |
| 1 kHz | -121 | -120 | -109 | |
| 10 kHz | -132 | -130 | -121 | |
| 100 kHz | -139 | -137 | -127 | |
| 1 MHz | -151 | -149 | -138 | |
| 10 MHz | -160 | -161 | -155 | |
| 20 MHz | -161 | -162 | -157 | |
| Offset Frequency (f) | 156.25 MHz LVPECL | 200 MHz LVPECL | 644.53125 MHz LVPECL | Unit |
| 100 Hz | -113 | -110 | -100 | dBc/Hz |
| 1 kHz | -123 | -120 | -110 | |
| 10 kHz | -133 | -130 | -119 | |
| 100 kHz | -139 | -137 | -127 | |
| 1 MHz | -151 | -149 | -138 | |
| 10 MHz | -162 | -166 | -156 | |
| 20 MHz | -163 | -167 | -157 | |



Phase jitter measured with Agilent E5052 using a differential-to-single ended converter (balun or buffer). Measurements collected for >700 commonly used frequencies. Phase noise plots for specific frequencies are available using our online [Oscillator Phase Noise Lookup Tool](#).

Figure 2.1. Phase Jitter vs. Output Frequency

Table 2.4. Environmental Compliance and Package Information

| Parameter | Test Condition |
|--|---|
| Mechanical Shock | MIL-STD-883, Method 2002 |
| Mechanical Vibration | MIL-STD-883, Method 2007 |
| Solderability | MIL-STD-883, Method 2003 |
| Gross and Fine Leak | MIL-STD-883, Method 1014 |
| Resistance to Solder Heat | MIL-STD-883, Method 2036 |
| Moisture Sensitivity Level (MSL): 3.2 x 5, 5 x 7 packages | 1 |
| Moisture Sensitivity Level (MSL): 2.5 x 3.2 package | 2 |
| Contact Pads: 3.2x5, 5x7 packages | Au/Ni (0.3 - 1.0 μm / 1.27 - 8.89 μm) |
| Contact Pads: 2.5x3.2 packages | Au/Pd/Ni (0.03 - 0.12 μm / 0.1 - 0.2 μm / 3.0 - 8.0 μm) |
| Note: | |
| 1. For additional product information not listed in the data sheet (e.g. RoHS Certifications, MDDS data, qualification data, REACH Declarations, ECCN codes, etc.), refer to our "Corporate Request For Information" portal found here: www.skyworksinc.com/quality . | |

Table 2.5. Thermal Conditions

Max Junction Temperature = 125° C

| Package | Parameter | Symbol | Test Condition | Value | Unit |
|---|--|---------------|------------------|-------|------|
| 2.5 x 3.2 mm 6-pin DFN | Thermal Resistance Junction to Ambient | Θ_{JA} | Still Air, 85 °C | 80 | °C/W |
| | Thermal Parameter Junction to Board | Ψ_{JB} | Still Air, 85 °C | 39 | °C/W |
| | Thermal Parameter Junction to Top Center | Ψ_{JT} | Still Air, 85 °C | 17 | °C/W |
| 3.2 x 5 mm 6-pin CLCC | Thermal Resistance Junction to Ambient | Θ_{JA} | Still Air, 85 °C | 55 | °C/W |
| | Thermal Parameter Junction to Board | Ψ_{JB} | Still Air, 85 °C | 20 | °C/W |
| | Thermal Parameter Junction to Top Center | Ψ_{JT} | Still Air, 85 °C | 20 | °C/W |
| 5 x 7 mm 6-pin CLCC | Thermal Resistance Junction to Ambient | Θ_{JA} | Still Air, 85 °C | 53 | °C/W |
| | Thermal Parameter Junction to Board | Ψ_{JB} | Still Air, 85 °C | 26 | °C/W |
| | Thermal Parameter Junction to Top Center | Ψ_{JT} | Still Air, 85 °C | 26 | °C/W |
| Note: | | | | | |
| 1. Based on PCB Dimensions: 4.5" x 7", PCB Thickness: 1.6 mm, Number of Cu Layers: 4. | | | | | |

Table 2.6. Absolute Maximum Ratings¹

| Parameter | Symbol | Rating | Unit |
|--|------------|------------------------|------|
| Maximum Operating Temp. | T_{AMAX} | 95 | °C |
| Storage Temperature | T_S | -55 to 125 | °C |
| Supply Voltage | V_{DD} | -0.5 to 3.8 | °C |
| Input Voltage | V_{IN} | -0.5 to $V_{DD} + 0.3$ | V |
| ESD HBM (JESD22-A114) | HBM | 2.0 | kV |
| Solder Temperature ² | T_{PEAK} | 260 | °C |
| Solder Time at T_{PEAK} ² | T_P | 20–40 | sec |

Notes:

- Stresses beyond those listed in this table may cause permanent damage to the device. Functional operation specification compliance is not implied at these conditions. Exposure to maximum rating conditions for extended periods may affect device reliability.
- The device is compliant with JEDEC J-STD-020.

3. Dual CMOS Buffer

Dual CMOS output format ordering options support either complementary or in-phase signals for two identical frequency outputs. This feature enables replacement of multiple XOs with a single Si540 device.

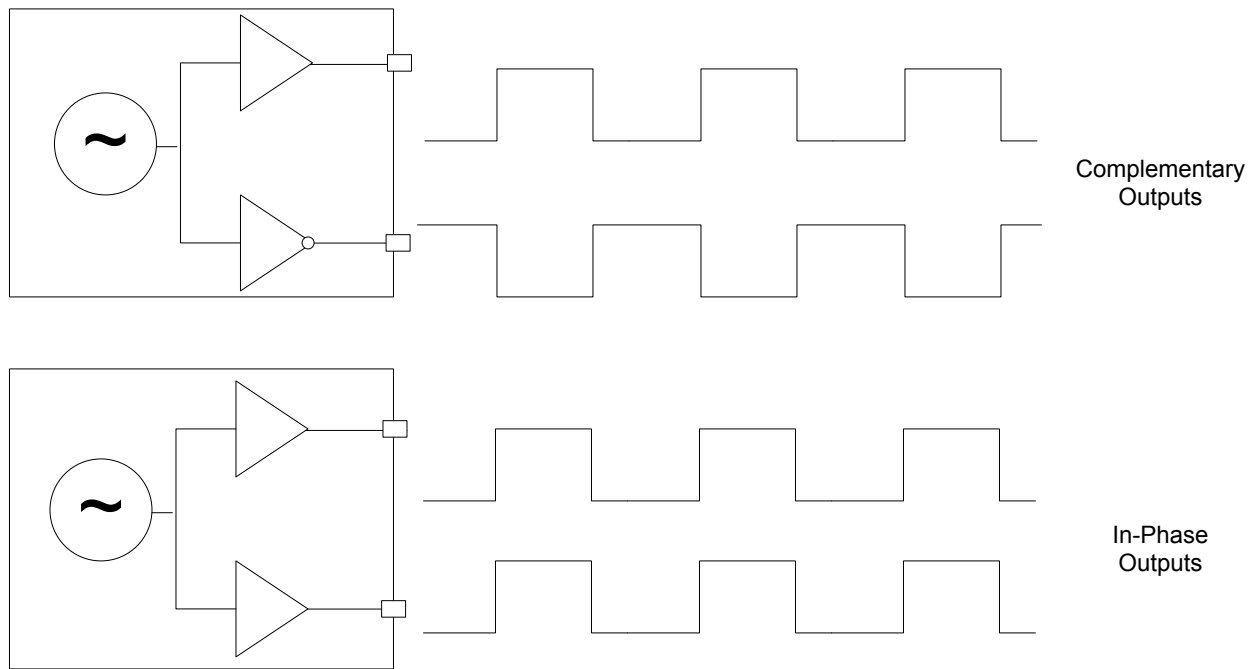


Figure 3.1. Integrated 1:2 CMOS Buffer Supports Complementary or In-Phase Outputs

4. Recommended Output Terminations

The output drivers support both AC-coupled and DC-coupled terminations as shown in figures below.

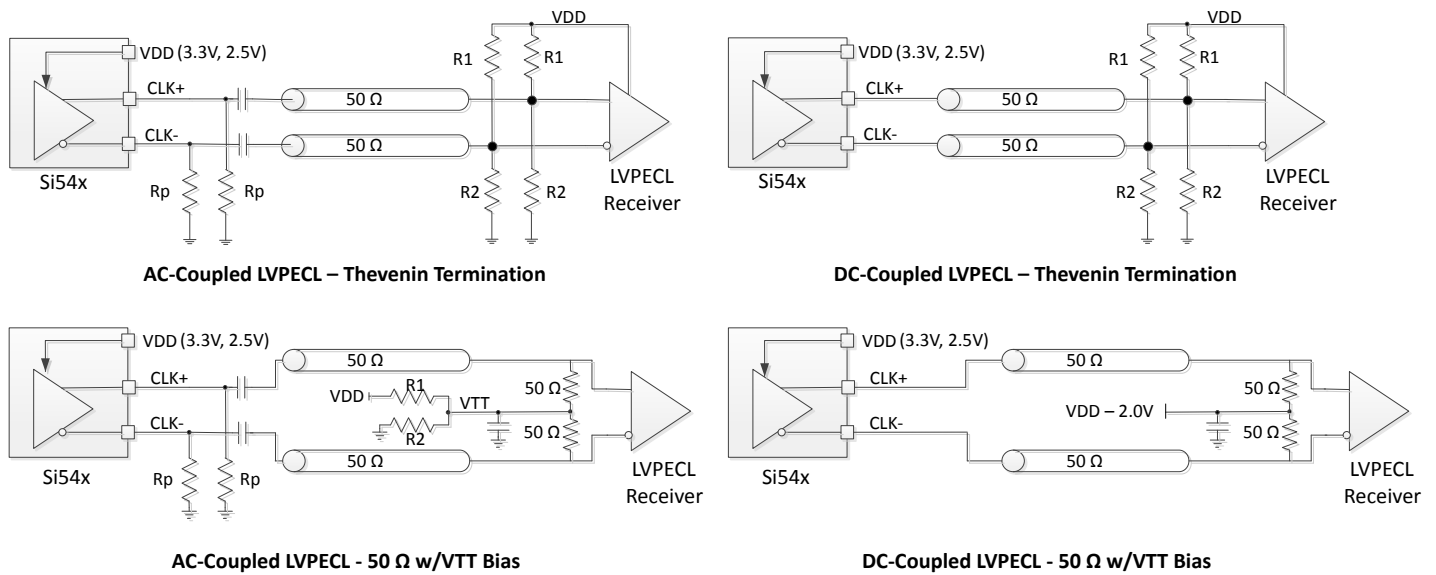


Figure 4.1. LVPECL Output Terminations

| AC Coupled LVPECL Termination Resistor Values | | | | DC Coupled LVPECL Termination Resistor Values | | |
|---|--------|-------|-------|---|-------|--------|
| VDD | R1 | R2 | Rp | VDD | R1 | R2 |
| 3.3 V | 82.5 Ω | 127 Ω | 130 Ω | 3.3 V | 127 Ω | 82.5 Ω |
| 2.5 V | 62.5 Ω | 250 Ω | 90 Ω | 2.5 V | 250 Ω | 62.5 Ω |

5. Package Outline

5.1 Package Outline (5×7 mm)

The figure below illustrates the package details for the 5×7 mm Si540. The table below lists the values for the dimensions shown in the illustration.

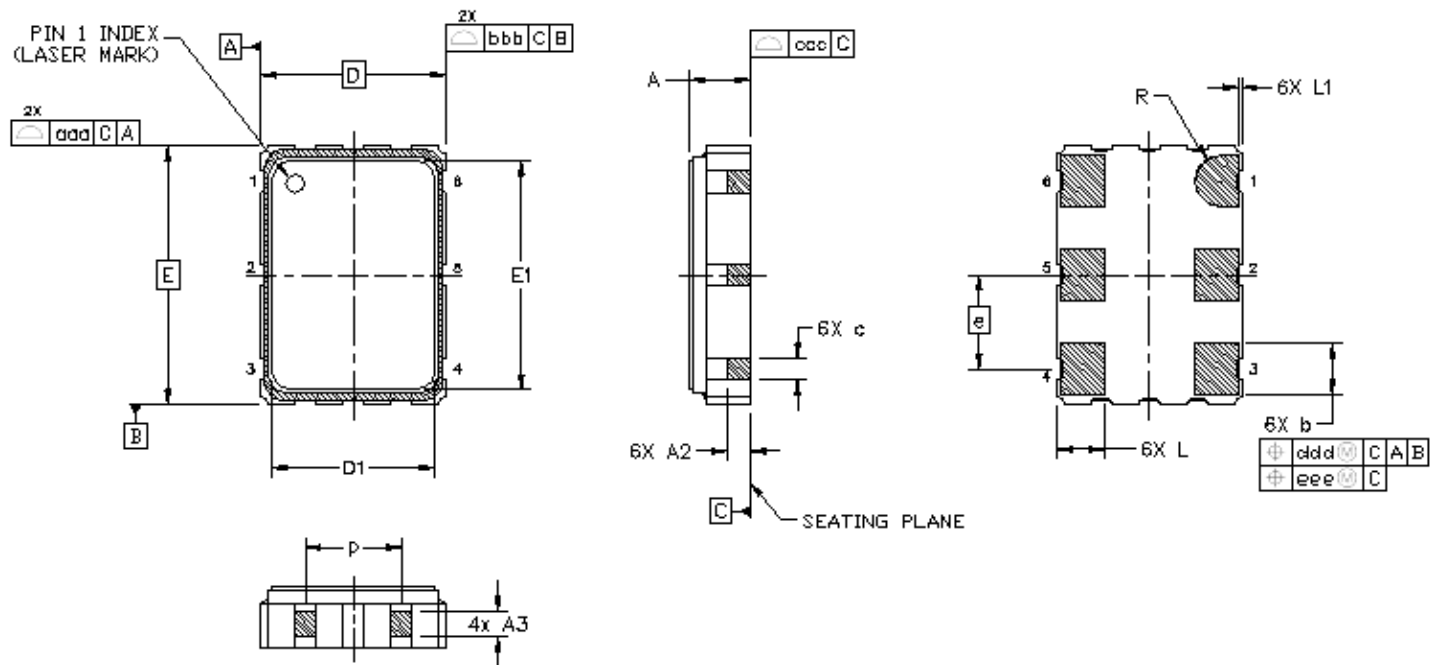


Figure 5.1. Si540 (5×7 mm) Outline Diagram

Table 5.1. Package Diagram Dimensions (mm)

| Dimension | Min | Nom | Max | Dimension | Min | Nom | Max |
|-----------|----------|------|------|-----------|----------|------|------|
| A | 1.13 | 1.28 | 1.43 | L | 1.17 | 1.27 | 1.37 |
| A2 | 0.50 | 0.55 | 0.60 | L1 | 0.05 | 0.10 | 0.15 |
| A3 | 0.50 | 0.55 | 0.60 | p | 1.70 | — | 1.90 |
| b | 1.30 | 1.40 | 1.50 | R | 0.70 REF | | |
| c | 0.50 | 0.60 | 0.70 | aaa | 0.15 | | |
| D | 5.00 BSC | | | bbb | 0.15 | | |
| D1 | 4.30 | 4.40 | 4.50 | ccc | 0.08 | | |
| e | 2.54 BSC | | | ddd | 0.10 | | |
| E | 7.00 BSC | | | eee | 0.05 | | |
| E1 | 6.10 | 6.20 | 6.30 | | | | |

Notes:

1. All dimensions shown are in millimeters (mm) unless otherwise noted.
2. Dimensioning and Tolerancing per ANSI Y14.5M-1994.

5.2 Package Outline (3.2×5 mm)

The figure below illustrates the package details for the 3.2×5 mm Si540. The table below lists the values for the dimensions shown in the illustration.

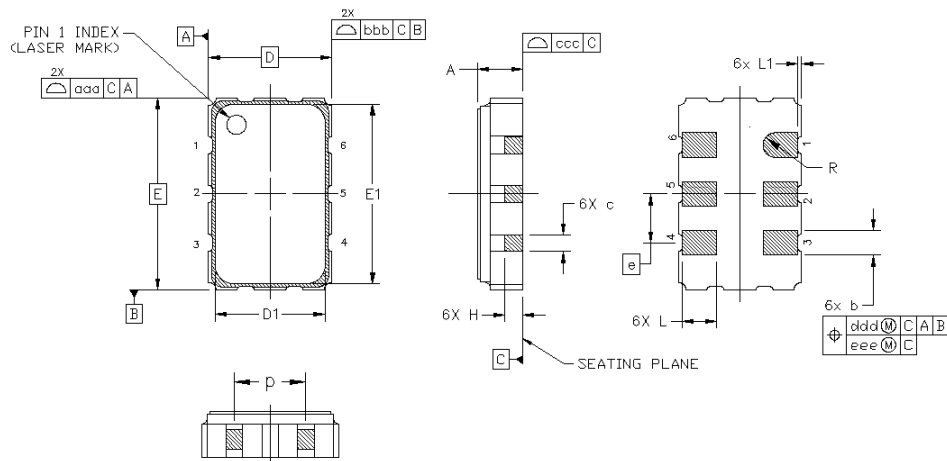


Figure 5.2. Si540 (3.2×5 mm) Outline Diagram

Table 5.2. Package Diagram Dimensions (mm)

| Dimension | Min | Nom | Max |
|-----------|----------|------|------|
| A | 1.06 | 1.17 | 1.33 |
| b | 0.54 | 0.64 | 0.74 |
| c | 0.35 | 0.45 | 0.55 |
| D | 3.20 BSC | | |
| D1 | 2.55 | 2.60 | 2.65 |
| e | 1.27 BSC | | |
| E | 5.00 BSC | | |
| E1 | 4.35 | 4.40 | 4.45 |
| H | 0.45 | 0.55 | 0.65 |
| L | 0.80 | 0.90 | 1.00 |
| L1 | 0.05 | 0.10 | 0.15 |
| p | 1.36 | 1.46 | 1.56 |
| R | 0.32 REF | | |
| aaa | 0.15 | | |
| bbb | 0.15 | | |
| ccc | 0.08 | | |
| ddd | 0.10 | | |
| eee | 0.05 | | |

Notes:

1. All dimensions shown are in millimeters (mm) unless otherwise noted.
2. Dimensioning and Tolerancing per ANSI Y14.5M-1994.

5.3 Package Outline (2.5x3.2 mm)

The figure below illustrates the package details for the 2.5x3.2 mm Si540. The table below lists the values for the dimensions shown in the illustration.

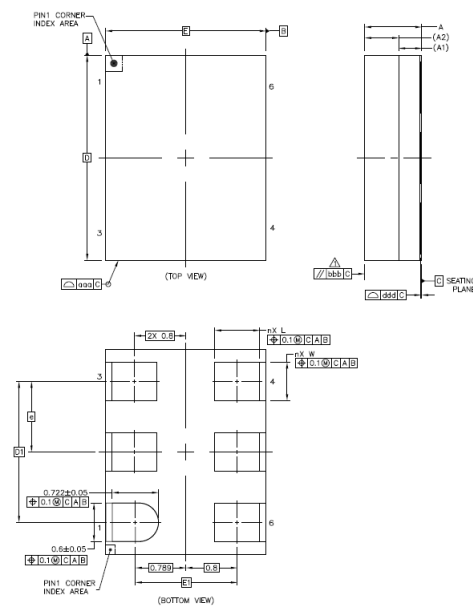


Figure 5.3. Si540 (2.5x3.2 mm) Outline Diagram

Table 5.3. Package Diagram Dimensions (mm)

| Dimension | Min | Nom | Max |
|-----------|------|-----------|------|
| A | 0.85 | 0.90 | 1.00 |
| A1 | | 0.36 REF | |
| A2 | | 0.53 REF | |
| W | 0.55 | 0.60 | 0.65 |
| D | | 3.2 BSC | |
| E | | 2.5 BSC | |
| e | | 1.10 BSC | |
| L | 0.65 | 0.70 | 0.75 |
| n | | 5 | |
| D1 | | 2.2 BSC | |
| E1 | | 1.589 BSC | |
| aaa | | 0.10 | |
| bbb | | 0.10 | |
| ddd | | 0.08 | |

Notes:

1. The dimensions in parentheses are reference.
2. All dimensions in millimeters (mm).
3. Dimensioning and Tolerancing per ANSI Y14.5M-1994.

6. PCB Land Pattern

6.1 PCB Land Pattern (5×7 mm)

The figure below illustrates the 5×7 mm PCB land pattern for the Si540. The table below lists the values for the dimensions shown in the illustration.

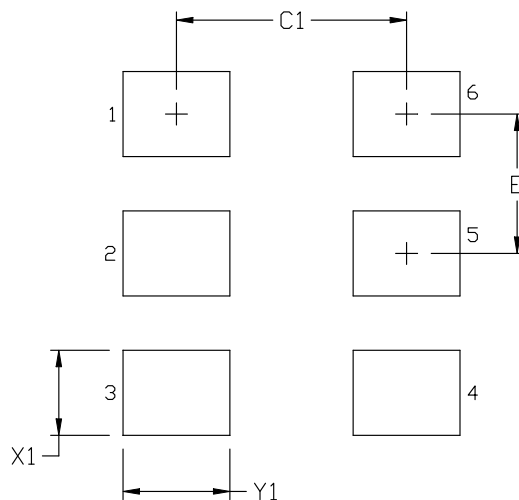


Figure 6.1. Si540 (5×7 mm) PCB Land Pattern

Table 6.1. PCB Land Pattern Dimensions (mm)

| Dimension | (mm) |
|-----------|------|
| C1 | 4.20 |
| E | 2.54 |
| X1 | 1.55 |
| Y1 | 1.95 |

Notes:

General

1. All dimensions shown are in millimeters (mm) unless otherwise noted.
2. Dimensioning and Tolerancing is per the ANSI Y14.5M-1994 specification.
3. This Land Pattern Design is based on the IPC-7351 guidelines.
4. All dimensions shown are at Maximum Material Condition (MMC). Least Material Condition (LMC) is calculated based on a Fabrication Allowance of 0.05 mm.

Solder Mask Design

1. All metal pads are to be non-solder mask defined (NSMD). Clearance between the solder mask and the metal pad is to be 60 µm minimum, all the way around the pad.

Stencil Design

1. A stainless steel, laser-cut and electro-polished stencil with trapezoidal walls should be used to assure good solder paste release.
2. The stencil thickness should be 0.125 mm (5 mils).
3. The ratio of stencil aperture to land pad size should be 1:1.

Card Assembly

1. A No-Clean, Type-3 solder paste is recommended.
2. The recommended card reflow profile is per the JEDEC/IPC J-STD-020 specification for Small Body Components.

6.2 PCB Land Pattern (3.2×5 mm)

The figure below illustrates the 3.2×5.0 mm PCB land pattern for the Si540. The table below lists the values for the dimensions shown in the illustration.

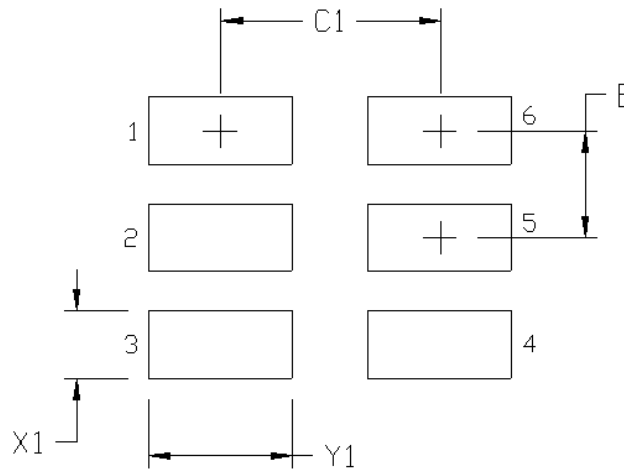


Figure 6.2. Si540 (3.2×5 mm) PCB Land Pattern

Table 6.2. PCB Land Pattern Dimensions (mm)

| Dimension | (mm) |
|-----------|------|
| C1 | 2.60 |
| E | 1.27 |
| X1 | 0.80 |
| Y1 | 1.70 |

Notes:

General

1. All dimensions shown are in millimeters (mm) unless otherwise noted.
2. Dimensioning and Tolerancing is per the ANSI Y14.5M-1994 specification.
3. This Land Pattern Design is based on the IPC-7351 guidelines.
4. All dimensions shown are at Maximum Material Condition (MMC). Least Material Condition (LMC) is calculated based on a Fabrication Allowance of 0.05 mm.

Solder Mask Design

1. All metal pads are to be non-solder mask defined (NSMD). Clearance between the solder mask and the metal pad is to be 60 μm minimum, all the way around the pad.

Stencil Design

1. A stainless steel, laser-cut and electro-polished stencil with trapezoidal walls should be used to assure good solder paste release.
2. The stencil thickness should be 0.125 mm (5 mils).
3. The ratio of stencil aperture to land pad size should be 1:1.

Card Assembly

1. A No-Clean, Type-3 solder paste is recommended.
2. The recommended card reflow profile is per the JEDEC/IPC J-STD-020 specification for Small Body Components.

6.3 PCB Land Pattern (2.5×3.2 mm)

The figure below illustrates the 2.5×3.2 mm PCB land pattern for the Si540. The table below lists the values for the dimensions shown in the illustration.

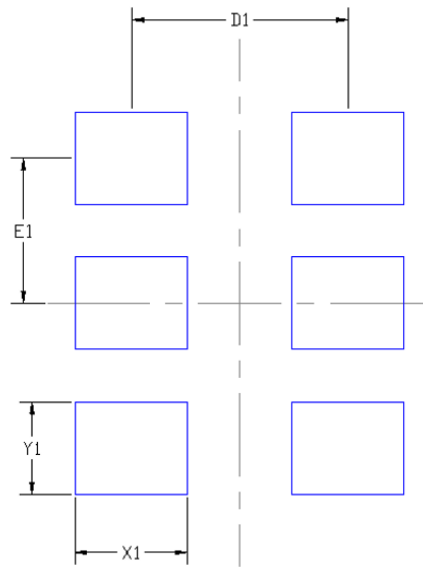


Figure 6.3. Si540 (2.5×3.2 mm) PCB Land Pattern

Table 6.3. PCB Land Pattern Dimensions (mm)

| Dimension | Description | Value (mm) |
|-----------|-------------------------------------|------------|
| X1 | Width - leads on long sides | 0.85 |
| Y1 | Height - leads on long sides | 0.7 |
| D1 | Pitch in X directions of XLY1 leads | 1.639 |
| E1 | Lead pitch XLY1 leads | 1.10 |

Notes: The following notes and stencil design are shared as recommendations only. A customer or user may find it necessary to use different parameters and fine-tune their SMT process as required for their application and tooling.

General

1. All dimensions shown are in millimeters (mm) unless otherwise noted.
2. Dimensioning and Tolerancing is per the ANSI Y14.5M-1994 specification.
3. This Land Pattern Design is based on the IPC-7351 guidelines.
4. All dimensions shown are at Maximum Material Condition (MMC). Least Material Condition (LMC) is calculated based on a Fabrication Allowance of 0.05 mm.

Solder Mask Design

1. All metal pads are to be non-solder mask defined (NSMD). Clearance between the solder mask and the metal pad is to be 60 μm minimum, all the way around the pad.

Stencil Design

1. A stainless steel, laser-cut and electro-polished stencil with trapezoidal walls should be used to assure good solder paste release.
2. The stencil thickness should be 0.125 mm (5 mils).
3. The ratio of stencil aperture to land pad size should be 0.8:1 for the pads.

Card Assembly

1. A No-Clean, Type-3 solder paste is recommended.
2. The recommended card reflow profile is per the JEDEC/IPC J-STD-020 specification for Small Body Components.

7. Top Marking (5x7 and 3.2x5 Packages)

The figure below illustrates the mark specification for the Si540 5x7 and 3.2x5 package sizes. The table below lists the line information.

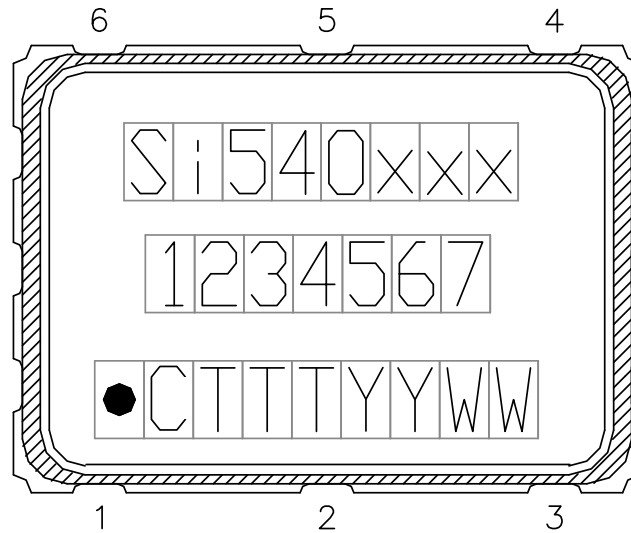


Figure 7.1. Mark Specification

Table 7.1. Si540 Top Mark Description

| Line | Position | Description |
|------|-------------------|--|
| 1 | 1–8 | "Si540", xxx = Ordering Option 1, Option 2, Option 3 (e.g. Si540AAA) |
| 2 | 1–7 | Frequency Code (e.g. 100M000 or 6-digit custom code as described in the Ordering Guide) |
| 3 | Trace Code | |
| | Position 1 | Pin 1 orientation mark (dot) |
| | Position 2 | Product Revision (C) |
| | Position 3–5 | Tiny Trace Code (3 alphanumeric characters per assembly release instructions) |
| | Position 6–7 | Year (last two digits of the year), to be assigned by assembly site (ex: 2017 = 17) |
| | Position 8–9 | Calendar Work Week number (1–53), to be assigned by assembly site |

8. Top Marking (2.5x3.2 Package)

The figure below illustrates the mark specification for the Si540 2.5x3.2 package sizes. The table below lists the line information.

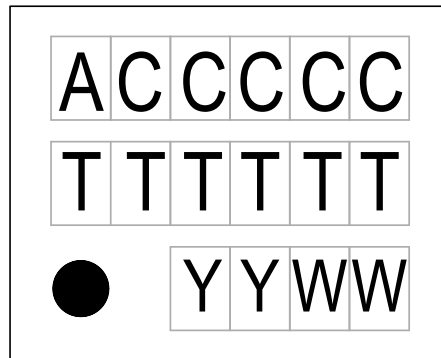


Figure 8.1. Mark Specification

Table 8.1. Si540 Top Mark Description

| Line | Position | Description |
|------|-------------------|--|
| 1 | 1–6 | A = Si540, CCCCC = Custom Mark Code |
| 2 | Trace Code | |
| | 1–6 | Six-digit trace code per assembly release instructions |
| 3 | Position 1 | Pin 1 orientation mark (dot) |
| | Position 2–3 | Year (last two digits of the year), to be assigned by assembly site (exp: 2017 = 17) |
| | Position 4–5 | Calendar Work Week number (1–53), to be assigned by assembly site |

9. Revision History

Revision 206609A

May, 2023

- Updated Min and Nom package diagram dimensions specs in [5.3 Package Outline \(2.5x3.2 mm\)](#).

Revision 1.3

June, 2021

- Updated Ordering Guide and Topmark for Rev. C silicon
- Added HCSL-Fast (faster t_R/t_F) ordering option
- Updated Table 2.1, Powerup VDD Ramp Rate

Revision 1.2

September, 2020

- Updated Table 2.1, Powerup VDD Ramp Rate and LVDS Swing

Revision 1.1

November, 2019

- Added 2.5x3.2 mm package option

Revision 1.0

July, 2018

- Added 20 ppm total stability option.

Revision 0.75

March, 2018

- Added 25 ppm total stability option.

Revision 0.71

December, 2017

- Added 5x7 package and land pattern.

Revision 0.7

June, 2017

- Initial release.



ClockBuilder Pro

One-click access to Timing tools, documentation, software, source code libraries & more. Available for Windows and iOS (CBGo only).

skyworksinc.com/CBPro



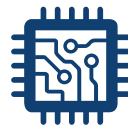
Portfolio

skyworksinc.com



SW/HW

skyworksinc.com/CBPro



Quality

skyworksinc.com/quality



Support & Resources

skyworksinc.com/support

Copyright © 2022 Skyworks Solutions, Inc. All Rights Reserved.

Information in this document is provided in connection with Skyworks Solutions, Inc. ("Skyworks") products or services. These materials, including the information contained herein, are provided by Skyworks as a service to its customers and may be used for informational purposes only by the customer. Skyworks assumes no responsibility for errors or omissions in these materials or the information contained herein. Skyworks may change its documentation, products, services, specifications or product descriptions at any time, without notice. Skyworks makes no commitment to update the materials or information and shall have no responsibility whatsoever for conflicts, incompatibilities, or other difficulties arising from any future changes.

No license, whether express, implied, by estoppel or otherwise, is granted to any intellectual property rights by this document. Skyworks assumes no liability for any materials, products or information provided hereunder, including the sale, distribution, reproduction or use of Skyworks products, information or materials, except as may be provided in Skyworks' Terms and Conditions of Sale.

THE MATERIALS, PRODUCTS AND INFORMATION ARE PROVIDED "AS IS" WITHOUT WARRANTY OF ANY KIND, WHETHER EXPRESS, IMPLIED, STATUTORY, OR OTHERWISE, INCLUDING FITNESS FOR A PARTICULAR PURPOSE OR USE, MERCHANTABILITY, PERFORMANCE, QUALITY OR NON-INFRINGEMENT OF ANY INTELLECTUAL PROPERTY RIGHT; ALL SUCH WARRANTIES ARE HEREBY EXPRESSLY DISCLAIMED. SKYWORKS DOES NOT WARRANT THE ACCURACY OR COMPLETENESS OF THE INFORMATION, TEXT, GRAPHICS OR OTHER ITEMS CONTAINED WITHIN THESE MATERIALS. SKYWORKS SHALL NOT BE LIABLE FOR ANY DAMAGES, INCLUDING BUT NOT LIMITED TO ANY SPECIAL, INDIRECT, INCIDENTAL, STATUTORY, OR CONSEQUENTIAL DAMAGES, INCLUDING WITHOUT LIMITATION, LOST REVENUES OR LOST PROFITS THAT MAY RESULT FROM THE USE OF THE MATERIALS OR INFORMATION, WHETHER OR NOT THE RECIPIENT OF MATERIALS HAS BEEN ADVISED OF THE POSSIBILITY OF SUCH DAMAGE

Skyworks products are not intended for use in medical, lifesaving or life-sustaining applications, or other equipment in which the failure of the Skyworks products could lead to personal injury, death, physical or environmental damage. Skyworks customers using or selling Skyworks products for use in such applications do so at their own risk and agree to fully indemnify Skyworks for any damages resulting from such improper use or sale.

Customers are responsible for their products and applications using Skyworks products, which may deviate from published specifications as a result of design defects, errors, or operation of products outside of published parameters or design specifications. Customers should include design and operating safeguards to minimize these and other risks. Skyworks assumes no liability for applications assistance, customer product design, or damage to any equipment resulting from the use of Skyworks products outside of Skyworks' published specifications or parameters.

Skyworks, the Skyworks symbol, Sky5®, SkyOne®, SkyBlue™, Skyworks Green™, ClockBuilder®, DSPLL®, ISOMODEM®, PROSLIC®, and SiPHY® are trademarks or registered trademarks of Skyworks Solutions, Inc. or its subsidiaries in the United States and other countries. Third-party brands and names are for identification purposes only and are the property of their respective owners. Additional information, including relevant terms and conditions, posted at www.skyworksinc.com, are incorporated by reference.

Skyworks Solutions, Inc. | Nasdaq: SWKS | sales@skyworksinc.com | www.skyworksinc.com

USA: 781-376-3000 | Asia: 886-2-2735 0399 | Europe: 33 (0)1 43548540

Looking for pricing, stock, or lifecycle information?

Click below to explore more details on WIN SOURCE:

 [View 540BAA000244BBG on WIN SOURCE](#)

 [Skyworks Solutions Inc. Information](#)

Optimize Your Supply Chain with WIN SOURCE Solutions

-  Global Sourcing Solution
-  Obsolete Management
-  Cost Control Management
-  Shortage Management
-  Alternative Solution
-  Excess Inventory Management