



**THE DATASHEET OF
DG2031DQ**





Low-Voltage, Sub 1-Ω, Dual SPDT Analog Switch

FEATURES

- Low Voltage Operation (1.8 V to 5.5 V)
- Low On-Resistance - r_{ON} : 0.45 Ω
- -71 dB OIRR @ 2.7 V, 100 kHz
- ESD Protection >2000 V
- MSOP-10 Package
- Available in Lead (Pb)-Free

BENEFITS

- Reduced Power Consumption
- High Accuracy
- Reduce Board Space
- 1.6-V Logic Compatible
- High Bandwidth

APPLICATIONS

- Cellular Phones
- Speaker Headset Switching
- Audio and Video Signal Routing
- PCMCIA Cards
- Battery Operated Systems
- Relay Replacement

DESCRIPTION

The DG2031 is a sub 1-Ω (0.75 Ω @ 2.7 V) dual SPDT analog switch designed for low voltage applications.

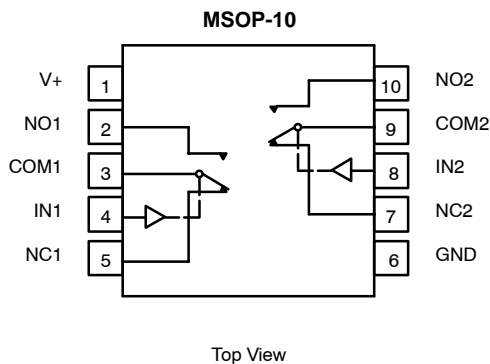
The DG2031 has on-resistance matching (less than 0.05 Ω @ 2.7 V) and flatness (less than 0.2 Ω @ 2.7 V) that are guaranteed over the entire voltage range. Additionally, low logic thresholds makes the DG2031 an ideal interface to low voltage DSP control signals.

The DG2031 has fast switching speed (on/off time @ 34 and 24 ns) with break-before-make guaranteed. In the On condition, all switching elements conduct equally in both directions. Off-isolation and crosstalk is -71 dB @ 100 kHz.

The DG2031 is built on Vishay Siliconix's high-density low voltage CMOS process. An eptiaxial layer is built in to prevent latchup. The DG2031 contains the additional benefit of 2,000-V ESD protection.

Packaged in space saving MSOP-10, the DG2031 is a high performance, low r_{ON} switch for battery powered applications. The DG2031 is available in both standard and lead (Pb)-free packaging. No lead is used in the manufacturing process, for the lead (Pb)-free version, either inside the device/package or on external terminations.

FUNCTIONAL BLOCK DIAGRAM AND PIN CONFIGURATION



TRUTH TABLE		
Logic	NC1 and NC2	NO1 and NO2
0	ON	OFF
1	OFF	ON

ORDERING INFORMATION			
Temp Range	Package	Standard Part Number	Lead (Pb)-Free Part Number
-40 to 85°C	MSOP-10 (with Tape and Reel)	DG2031DQ-T1	DG2031DQ-T1—E3



Vishay Siliconix

ABSOLUTE MAXIMUM RATINGS

Reference to GND

V+ -0.3 to +6 V

IN, COM, NC, NO^a -0.3 to (V+ + 0.3 V)

Continuous Current (NO, NC, COM) ± 300 mA

Peak Current ± 500 mA
(Pulsed at 1 ms, 10% duty cycle)

Storage Temperature (D Suffix) -65 to 150°C

ESD per Method 3015.7 >2 kV

Power Dissipation (Packages)^b

MSOP-10^c 320 mW

- Notes:
- Signals on NC, NO, or COM or IN exceeding V+ will be clamped by internal diodes. Limit forward diode current to maximum current ratings.
 - All leads welded or soldered to PC Board.
 - Derate 4.0 mW/°C above 70°C

Stresses beyond those listed under "Absolute Maximum Ratings" may cause permanent damage to the device. These are stress ratings only, and functional operation of the device at these or any other conditions beyond those indicated in the operational sections of the specifications is not implied. Exposure to absolute maximum rating conditions for extended periods may affect device reliability.

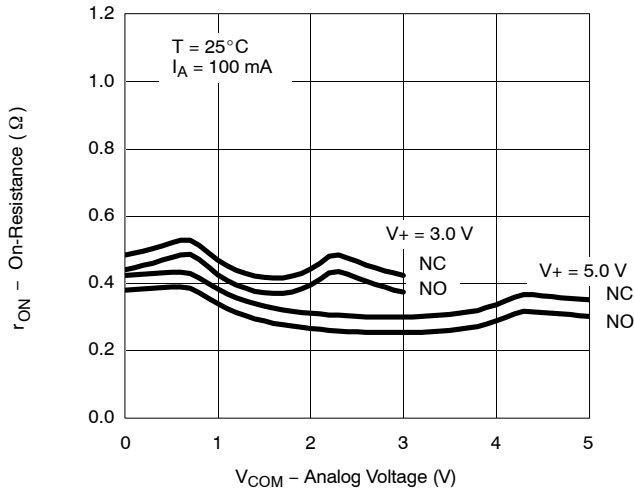
SPECIFICATIONS (V+ = 3 V)							
Parameter	Symbol	Test Conditions Otherwise Unless Specified V+ = 3 V, ± 10%, V _{IN} = 0.4 or 2.0 V ^e	Temp ^a	Limits -40 to 85°C			Unit
				Min ^b	Typ ^c	Max ^b	
Analog Switch							
Analog Signal Range ^d	V _{NO} , V _{NC} , V _{COM}		Full	0		V+	V
On-Resistance	r _{ON}	V+ = 2.7 V, V _{COM} = 0.6/1.5 V I _{NO} , I _{NC} = 100 mA	Room Full		0.50	0.75 0.8	Ω
r _{ON} Flatness ^d	r _{ON} Flatness		Room		0.12	0.2	
On-Resistance Match Between Channels ^d	Δr _{DS(on)}		Room			0.05	
Switch Off Leakage Current	I _{NO(off)} , I _{NC(off)}	V+ = 3.3 V, V _{NO} , V _{NC} = 0.3 V/3 V V _{COM} = 3 V/0.3 V	Room Full	-1 -10		1 10	nA
	I _{COM(off)}		Room Full	-1 -10		1 10	
Channel-On Leakage Current	I _{COM(on)}	V+ = 3.3 V, V _{NO} , V _{NC} = V _{COM} = 0.3 V/3 V	Room Full	-1 -10		1 10	
Digital Control							
Input High Voltage ^d	V _{INH}		Full	1.6			V
Input Low Voltage	V _{INL}		Full			0.4	
Input Capacitance	C _{in}		Full		9		pF
Input Current	I _{INL} or I _{INH}	V _{IN} = 0 or V+	Full	1		1	μA
Dynamic Characteristics							
Turn-On Time	t _{ON}	V _{NO} or V _{NC} = 2.0 V, R _L = 50 Ω, C _L = 35 pF	Room Full		34	58 59	ns
Turn-Off Time	t _{OFF}		Room Full		24	49 50	
Break-Before-Make Time	t _d	V _{NO} or V _{NC} = 2.0 V, R _L = 50 Ω, C _L = 35 pF	Full	2	10		
Charge Injection ^d	Q _{INJ}	C _L = 1 nF, V _{GEN} = 1.5 V, R _{GEN} = 0 Ω	Room		4		pC
Off-Isolation ^d	OIRR	R _L = 50 Ω, C _L = 5 pF, f = 100 KHz	Room		-71		dB
Crosstalk ^d	X _{TALK}		Room		-71		
N _O , N _C Off Capacitance ^d	C _{NO(off)}	V _{IN} = 0 or V+, f = 1 MHz	Room		117		pF
	C _{NC(off)}		Room		115		
Channel-On Capacitance ^d	C _{NO(on)}		Room		367		
	C _{NC(on)}		Room		368		
			Room		368		
Power Supply							
Power Supply Range	V+			1.8		5.5	V
Power Supply Current	I+	V _{IN} = 0 or V+	Full		0.01	1.0	μA

Notes:

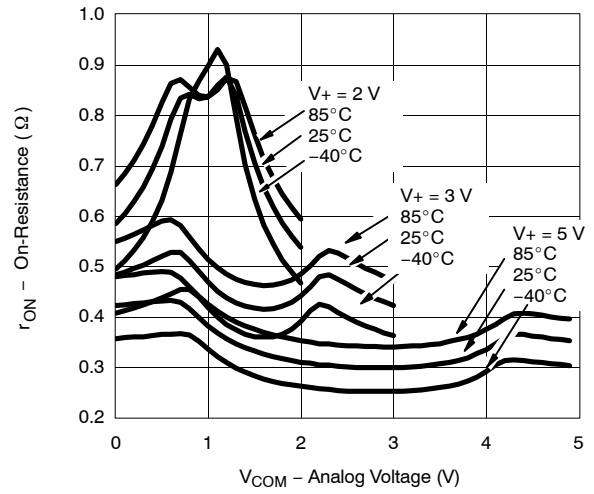
- Room = 25°C, Full = as determined by the operating suffix.
- Typical values are for design aid only, not guaranteed nor subject to production testing.
- The algebraic convention whereby the most negative value is a minimum and the most positive a maximum, is used in this data sheet.
- Guarantee by design, nor subjected to production test.
- V_{IN} = input voltage to perform proper function.

TYPICAL CHARACTERISTICS (25°C UNLESS NOTED)

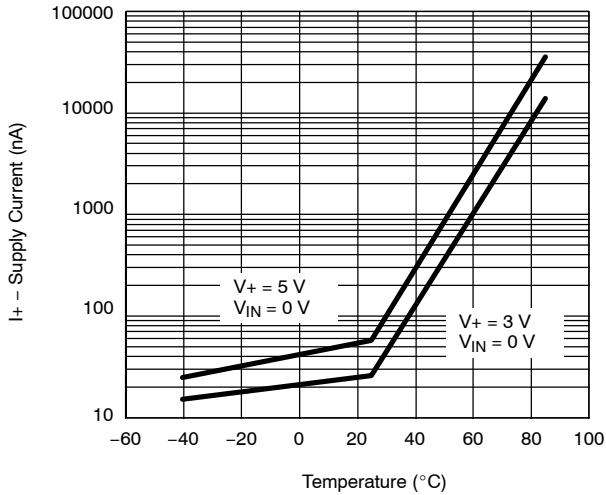
r_{ON} vs. V_{COM} and Supply Voltage



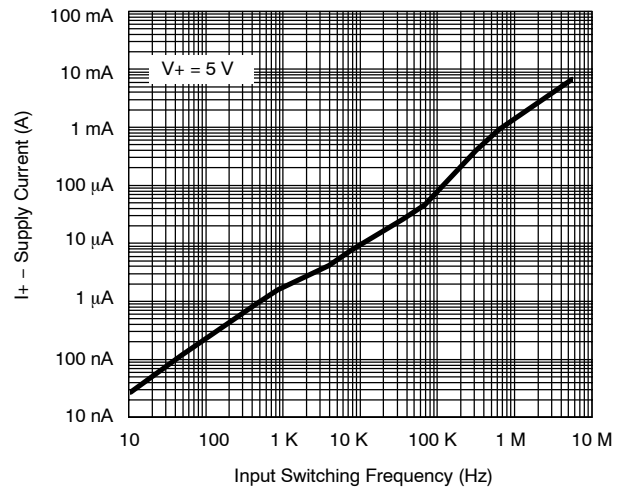
r_{ON} vs. Analog Voltage and Temperature (NC1)



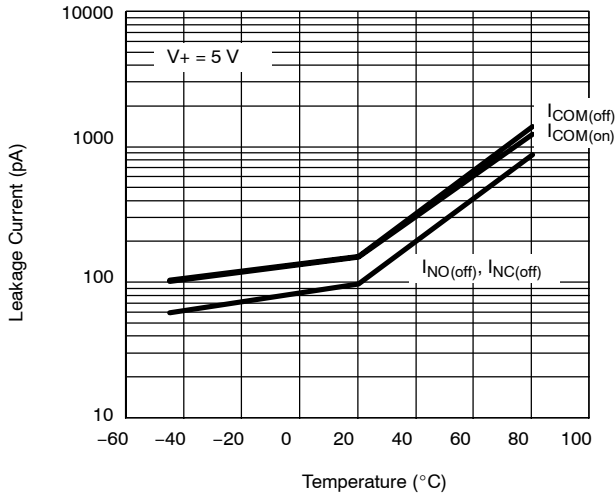
Supply Current vs. Temperature



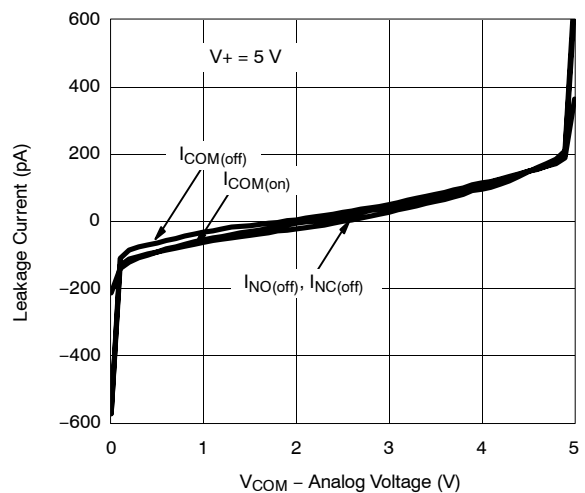
Supply Current vs. Input Switching Frequency



Leakage Current vs. Temperature

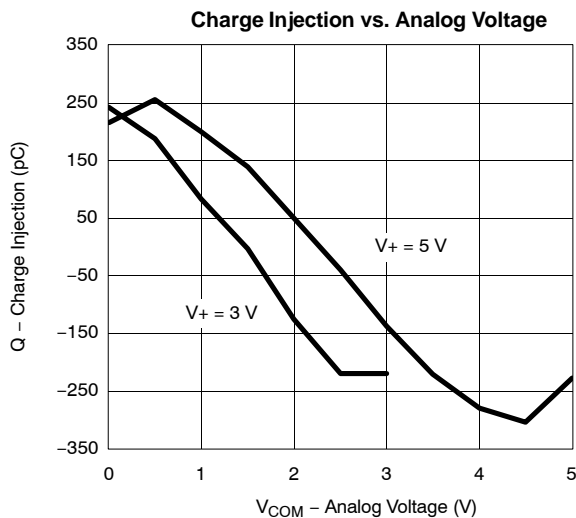
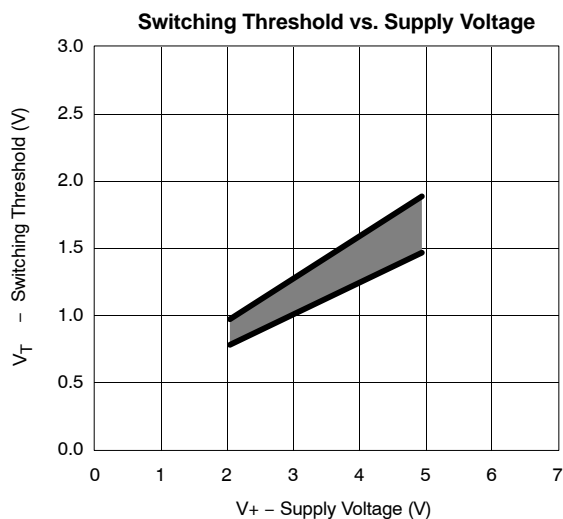
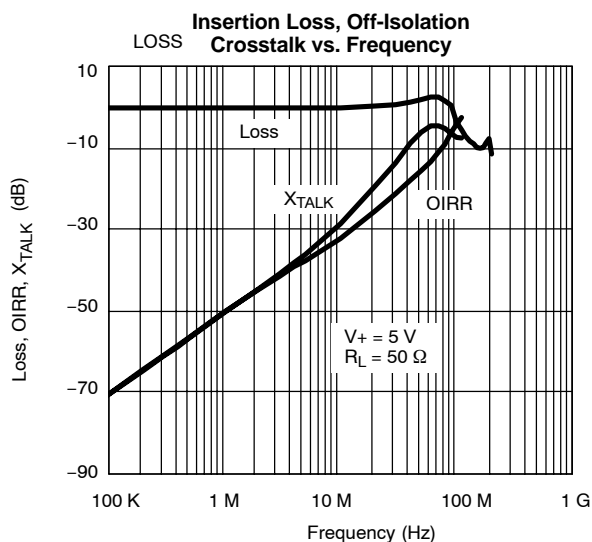
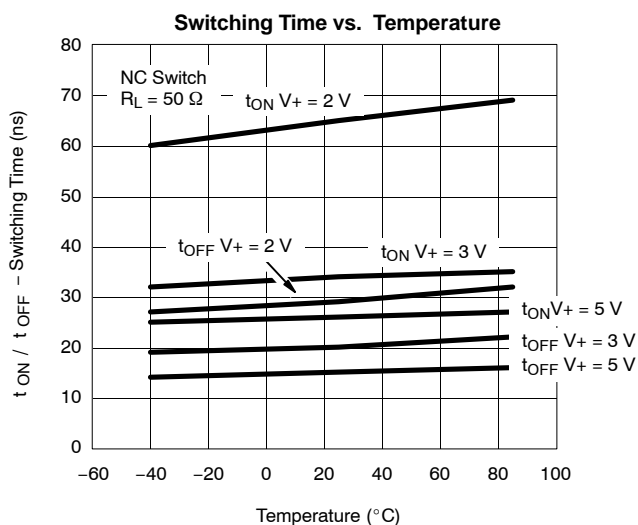
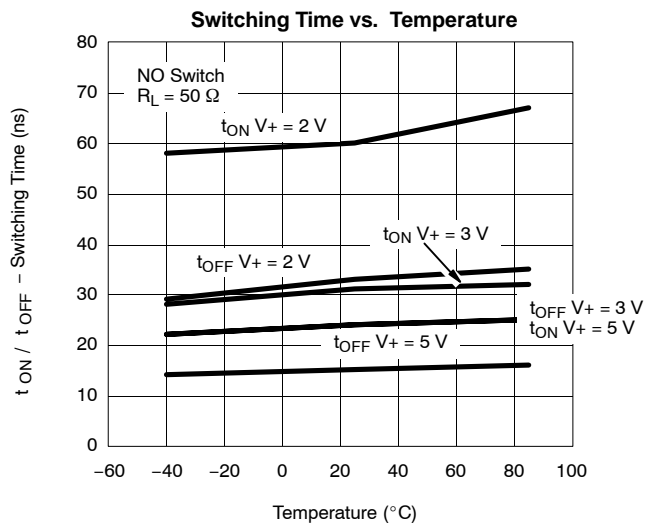


Leakage vs. Analog Voltage

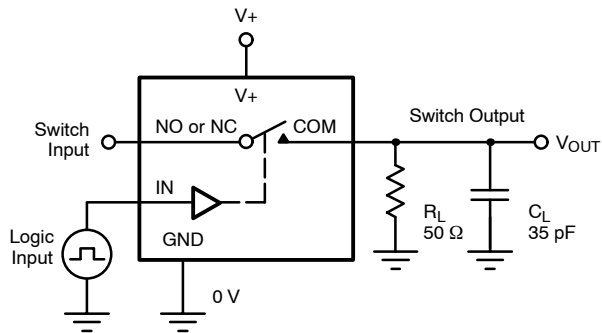




TYPICAL CHARACTERISTICS (25 °C UNLESS NOTED)

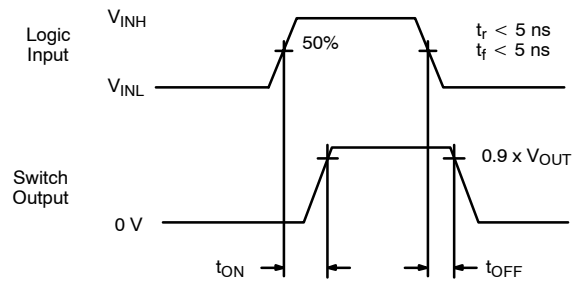


TEST CIRCUITS



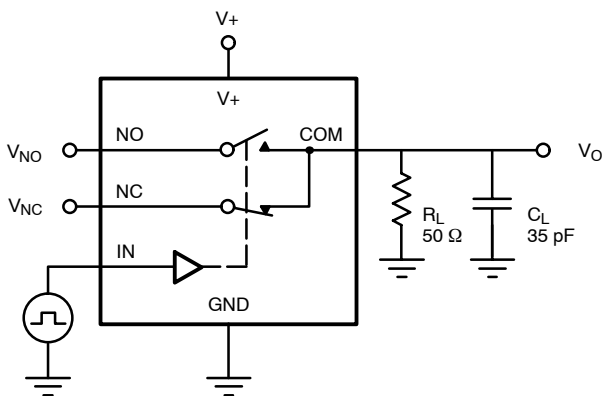
C_L (includes fixture and stray capacitance)

$$V_{OUT} = V_{COM} \left(\frac{R_L}{R_L + R_{ON}} \right)$$



Logic "1" = Switch On
Logic input waveforms inverted for switches that have the opposite logic sense.

FIGURE 1. Switching Time



C_L (includes fixture and stray capacitance)

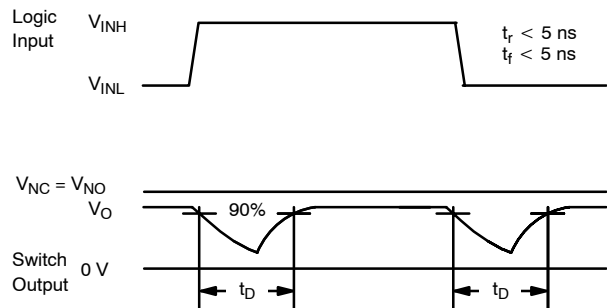
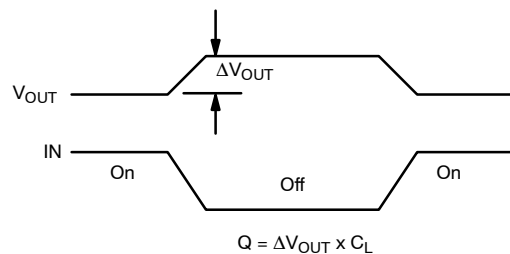
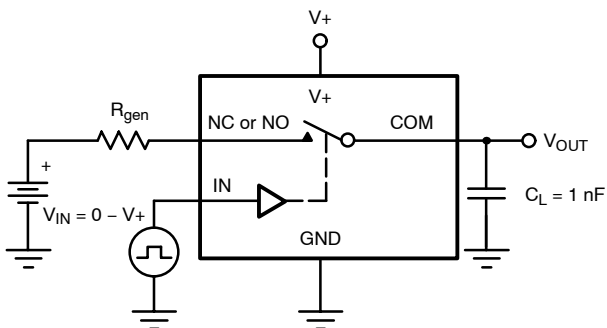


FIGURE 3. Break-Before-Make Interval



IN depends on switch configuration: input polarity determined by sense of switch.

FIGURE 2. Charge Injection

TEST CIRCUITS

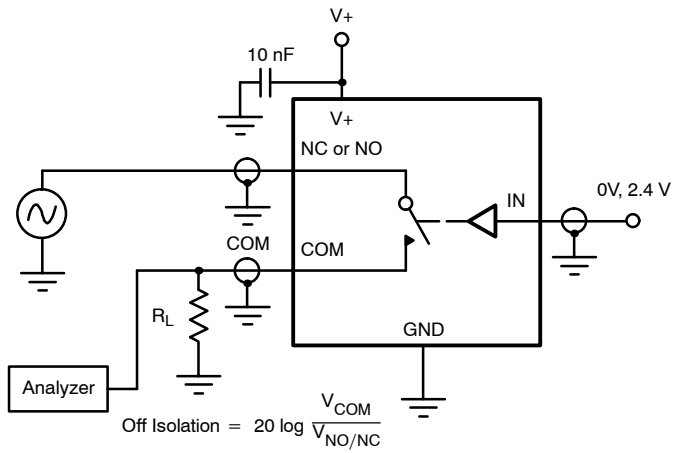


FIGURE 4. Off-Isolation

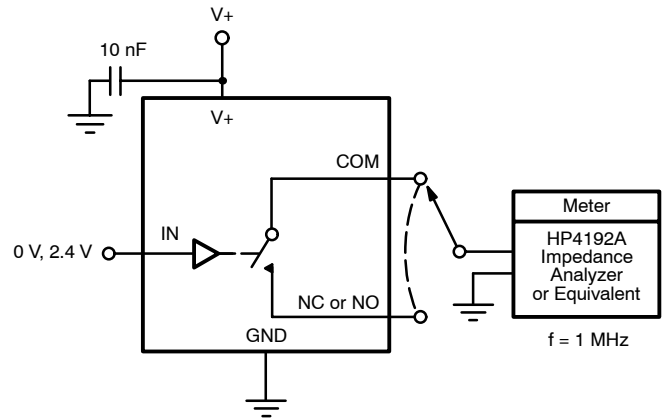


FIGURE 5. Channel Off/On Capacitance



Disclaimer

All product specifications and data are subject to change without notice.

Vishay Intertechnology, Inc., its affiliates, agents, and employees, and all persons acting on its or their behalf (collectively, "Vishay"), disclaim any and all liability for any errors, inaccuracies or incompleteness contained herein or in any other disclosure relating to any product.

Vishay disclaims any and all liability arising out of the use or application of any product described herein or of any information provided herein to the maximum extent permitted by law. The product specifications do not expand or otherwise modify Vishay's terms and conditions of purchase, including but not limited to the warranty expressed therein, which apply to these products.

No license, express or implied, by estoppel or otherwise, to any intellectual property rights is granted by this document or by any conduct of Vishay.

The products shown herein are not designed for use in medical, life-saving, or life-sustaining applications unless otherwise expressly indicated. Customers using or selling Vishay products not expressly indicated for use in such applications do so entirely at their own risk and agree to fully indemnify Vishay for any damages arising or resulting from such use or sale. Please contact authorized Vishay personnel to obtain written terms and conditions regarding products designed for such applications.

Product names and markings noted herein may be trademarks of their respective owners.

Looking for pricing, stock, or lifecycle information?

Click below to explore more details on WIN SOURCE:

 [View DG2031DQ on WIN SOURCE](#)

 [Vishay Information](#)

Optimize Your Supply Chain with WIN SOURCE Solutions

-  Global Sourcing Solution
-  Obsolete Management
-  Cost Control Management
-  Shortage Management
-  Alternative Solution
-  Excess Inventory Management