



**THE DATASHEET OF
681M21WA4SL141**



DESCRIPTION: POWER / SIGNAL - VERTICAL - FEMALE - MACHINED

SPECIFICATIONS:

ELECTRICAL:

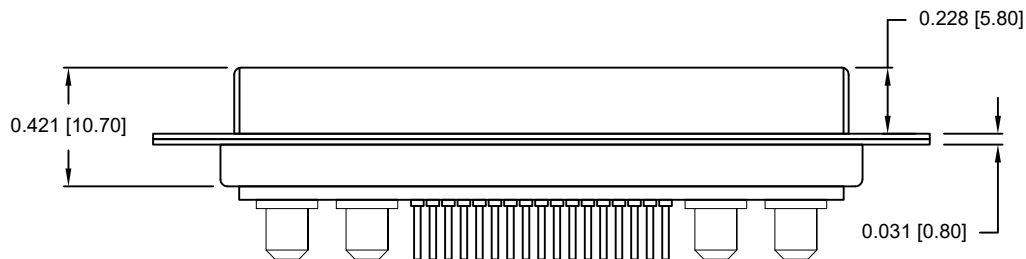
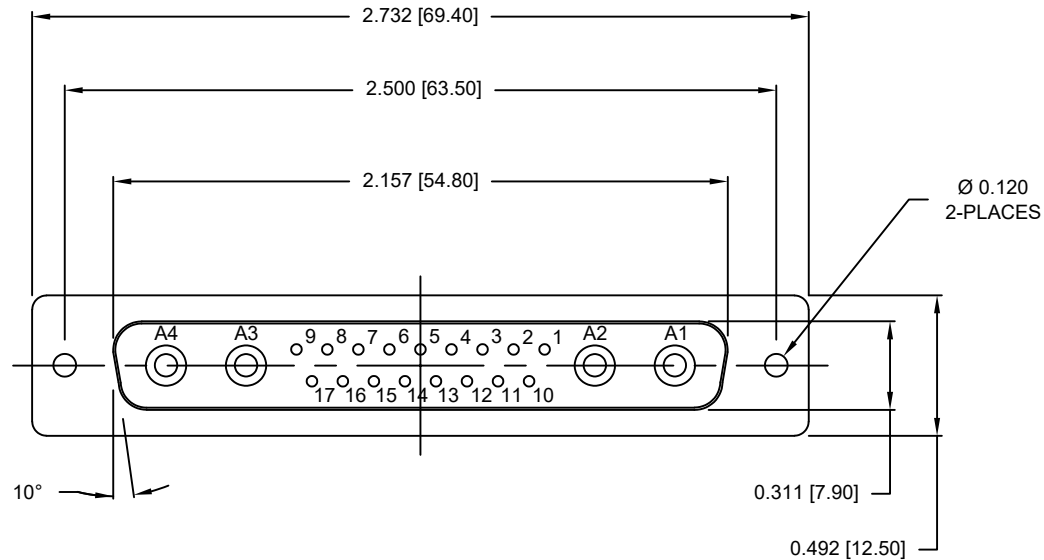
| | |
|----------------------------------|--------------------|
| INSULATION RESISTANCE: | 5 GOhms MIN. |
| DIELECTRIC WITHSTANDING VOLTAGE: | 1000 VAC FOR 1 MIN |
| WORKING VOLTAGE: | 250V |
| OPERATING TEMPERATURE: | -55°C TO +125°C |
| POWER CONTACT RESISTANCE: | 2.0 mOhms MAX. |
| SIGNAL CONTACT RESISTANCE: | 10 mOhms MAX. |
| POWER CONTACT AMPERAGE: | SEE P/N KEY |
| SIGNAL CONTACT AMPERAGE: | 5 AMPS |

MECHANICAL:

| | |
|---------------------------|-------------|
| CONTACT INSERTION FORCE: | 4.5 Kg MAX. |
| CONTACT SEPARATION FORCE: | 0.3 Kg MIN. |

MATERIALS:

| | |
|------------|--|
| CONTACTS: | COPPER ALLOY, GOLD FLASH |
| INSULATOR: | PBT UL94V-0 RATED 230°C PROCESS TEMP. |
| SHELL: | NICKEL PLATED STEEL |
| HARDWARE: | NICKEL PLATED BRASS |



SEE SHEET 2
FOR CONTACT DIMENSION DETAILS

681M21WA4SLYYY

0 = 40 AMP POWER // STANDARD PCB TAILS
 1 = 40 AMP POWER // 2.22mm PCB TAILS
 2 = 20 AMP POWER // STANDARD PCB TAILS

0 = NO HARDWARE
 1 = 0.098" CN PCB SIDE
 2 = 0.236" CN PCB SIDE
 3 = 0.236" CN MATING SIDE
 4 = 0.237" BOARDLOCK PCB SIDE
 5 = 0.224" BOARDLOCK PCB SIDE

1 = GOLD FLASH

RoHS COMPLIANT

UNITS = inches [mm]

DO NOT SCALE FROM DRAWING



THESE DRAWINGS AND SPECIFICATIONS ARE THE PROPERTY OF NorComp AND SHALL NOT BE REPRODUCED, COPIED OR USED AS THE BASIS FOR THE MANUFACTURE OR SALE OF APPARATUS WITHOUT WRITTEN PERMISSION.

DRAWN:
M. SIGMON

DATE:
07/19/2013

NorComp

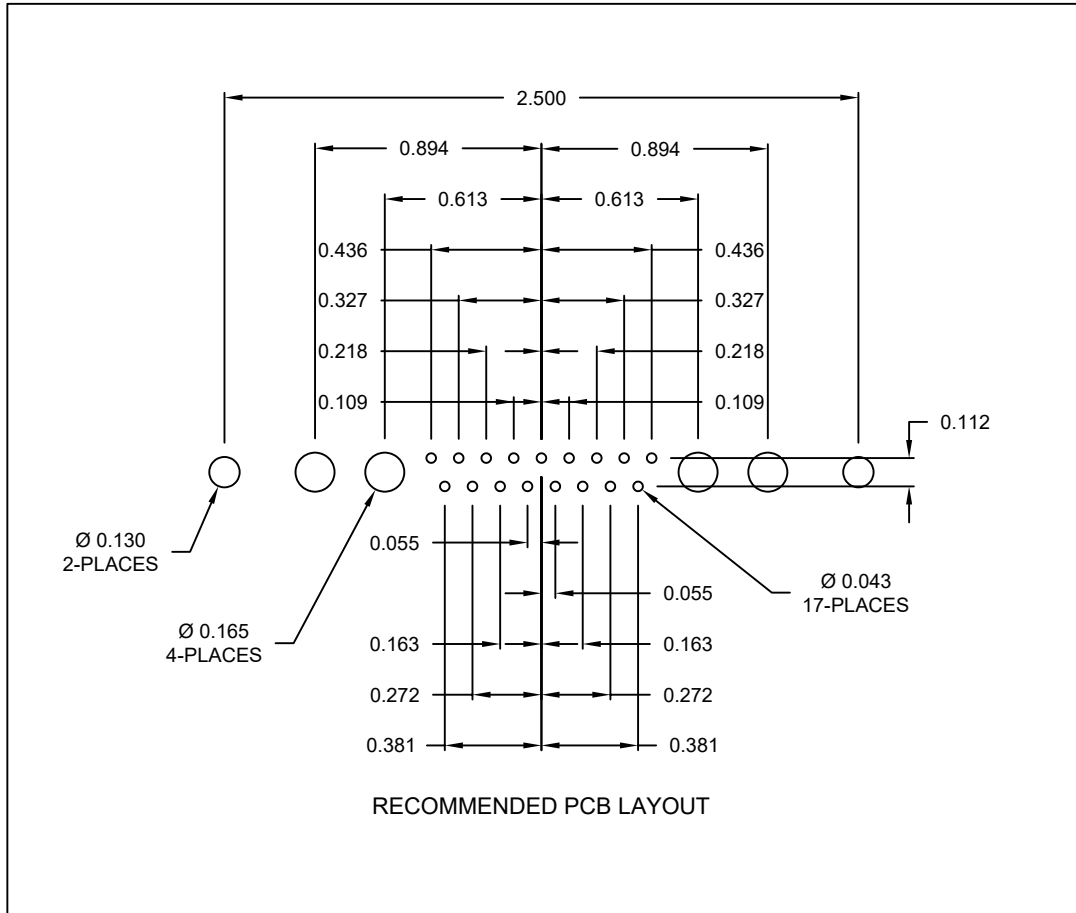
SCALE:
NTS

SHEET 1 OF 3

REV 5

DWG NO.

681M21WA4SLYYY

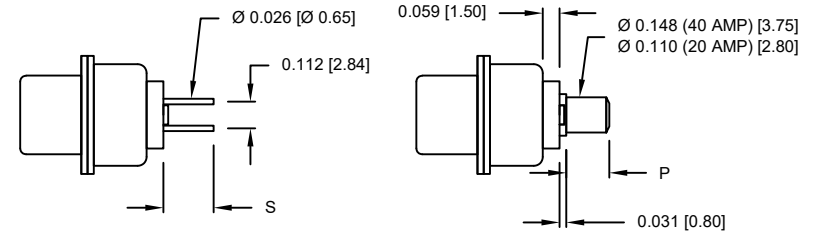


NOTE:
SIGNAL AND POWER CONTACTS
COME PRE-LOADED INTO INSULATORS

| DIMENSIONS(in/mm) | | |
|-------------------|-------|-------|
| OPTION | S | P |
| 0 & 2 | 0.218 | 0.177 |
| | 5.55 | 4.50 |
| 1 | 0.118 | 0.087 |
| | 3.02 | 2.22 |

SIGNAL CONTACTS

POWER CONTACTS



RoHS COMPLIANT

UNITS = inches [mm] DO NOT SCALE FROM DRAWING



THESE DRAWINGS AND SPECIFICATIONS ARE THE PROPERTY OF NorComp AND SHALL NOT BE REPRODUCED, COPIED OR USED AS THE BASIS FOR THE MANUFACTURE OR SALE OF APPARATUS WITHOUT WRITTEN PERMISSION.

DRAWN:
M. SIGMON

DATE:
07/19/2013

NorComp

SCALE:
NTS

SHEET 2 OF 3

REV 5

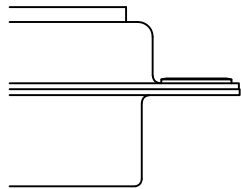
DWG NO.

681M21WA4SLYYY

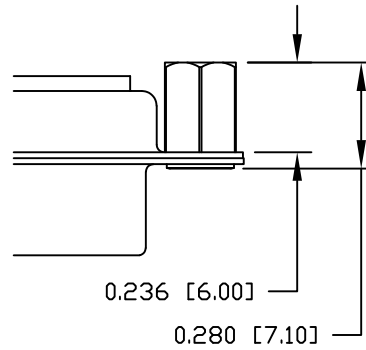
ALL CLINCH-NUTS ARE 4-40 INTERNAL THREADS

TOLERANCE:
ALL DIMENSIONS ARE ±0.010

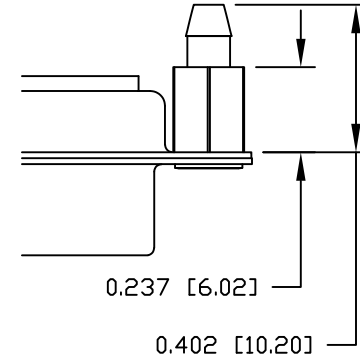
0 NO HARDWARE



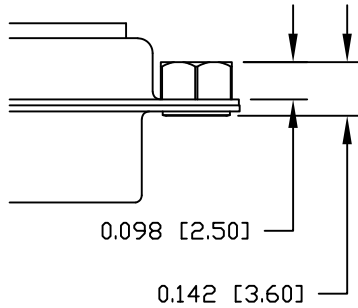
2 0.236" PCB SIDE



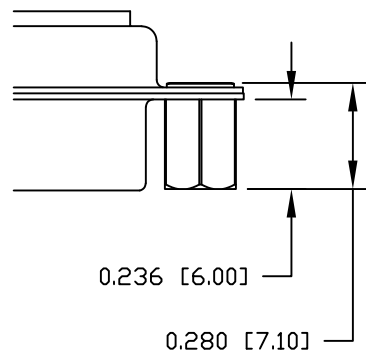
4 0.237" PCB SIDE



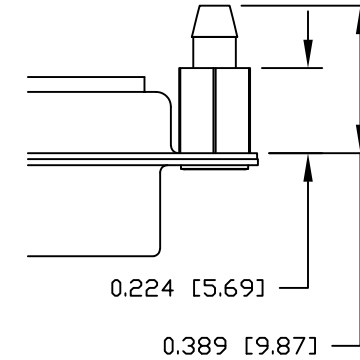
1 0.098" PCB SIDE



3 0.236" MATING SIDE



5 0.224" PCB SIDE



RoHS COMPLIANT

UNITS = inches [mm]

DO NOT SCALE FROM DRAWING



THESE DRAWINGS AND SPECIFICATIONS ARE THE PROPERTY OF NorComp AND SHALL NOT BE REPRODUCED, COPIED OR USED AS THE BASIS FOR THE MANUFACTURE OR SALE OF APPARATUS WITHOUT WRITTEN PERMISSION.

DRAWN:
M. SIGMON

DATE:
07/19/2013

NorComp

SCALE:
NTS

SHEET 3 OF 3

REV 5

DWG NO.

681M21WA4SLYYY

Looking for pricing, stock, or lifecycle information?

Click below to explore more details on WIN SOURCE:

 [View 681M21WA4SL141 on WIN SOURCE](#)

 [NorComp Inc. Information](#)

Optimize Your Supply Chain with WIN SOURCE Solutions

-  Global Sourcing Solution
-  Obsolete Management
-  Cost Control Management
-  Shortage Management
-  Alternative Solution
-  Excess Inventory Management