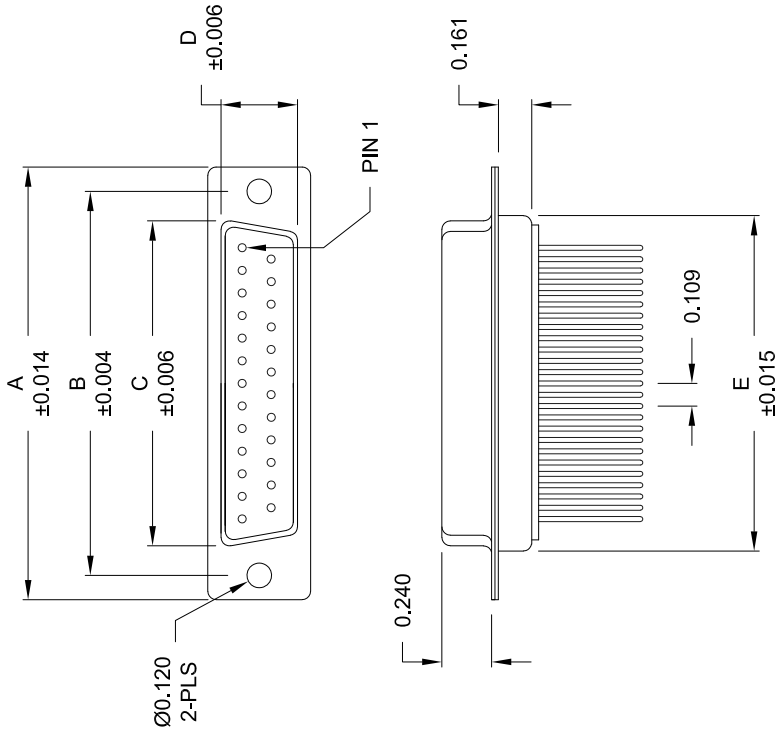




THE DATASHEET OF
172-009-242R001



DESCRIPTION: FEMALE - WIRE WRAP / MACHINED - PREMIUM



MATERIAL:

SHELL: STEEL, TIN
 INSULATOR: UL 94V-O RATED, PA6T
 PROCESS TEMP.: 260°C
 CONTACT: BRASS

ELECTRICAL:

CURRENT RATING: 5 AMPS
 CONTACT RESISTANCE: 15 mOhms Max.
 INSULATION RESISTANCE: 1,000 MOhms Min.
 VOLTAGE: 500VAC FOR 1 MINUTE
 TEMPERATURE: -50° C TO 100° C

MATERIAL:

SHELL: STEEL, TIN
 INSULATOR: UL 94V-O RATED, PA6T
 PROCESS TEMP.: 260°C
 CONTACT: BRASS

ELECTRICAL:

CURRENT RATING: 5 AMPS
 CONTACT RESISTANCE: 15 mOhms Max.
 INSULATION RESISTANCE: 1,000 MOhms Min.
 VOLTAGE: 500VAC FOR 1 MINUTE
 TEMPERATURE: -50° C TO 100° C

No. OF PINS	A	B	C
9	1.213	0.984	0.642
	30.80	24.99	16.30
15	1.541	1.312	0.969
	39.15	33.32	24.60
25	2.088	1.852	1.512
	53.04	47.04	38.40
37	2.729	2.500	2.157
	69.32	63.50	54.80
50	2.635	2.406	2.059
	66.93	61.11	52.30

SERIES POSITIONS

- 009
- 015
- 025
- 037
- 050
- GENDER
- 2 = FEMALE
- TERMINATION
- 4 = WIRE WRAP
- SHELL PLATING
- 2 = TIN
- RoHS COMPLIANT
- HARDWARE OPTIONS
- 00 = NO HARDWARE
- 01 = .065" CLINCH
- 02 = .250" CLINCH
- 03 = .250" CLINCH
- 05 = .237" 4-40 BO
- 91 = .237" 4-40 SPA
- PLATING OPTIONS
- 1 = GOLD FLASH
- 2 = 30MICRO-INCH

DO NOT SCALE FROM DRAWING



THESE DRAWINGS AND SPECIFICATIONS ARE THE PROPERTY OF NorComp AND SHALL NOT BE REPRODUCED, COPIED OR USED AS THE BASIS FOR THE MANUFACTURE OF SALE OF APPARATUS WITHOUT WRITTEN PERMISSION.

DRAWN: PAN

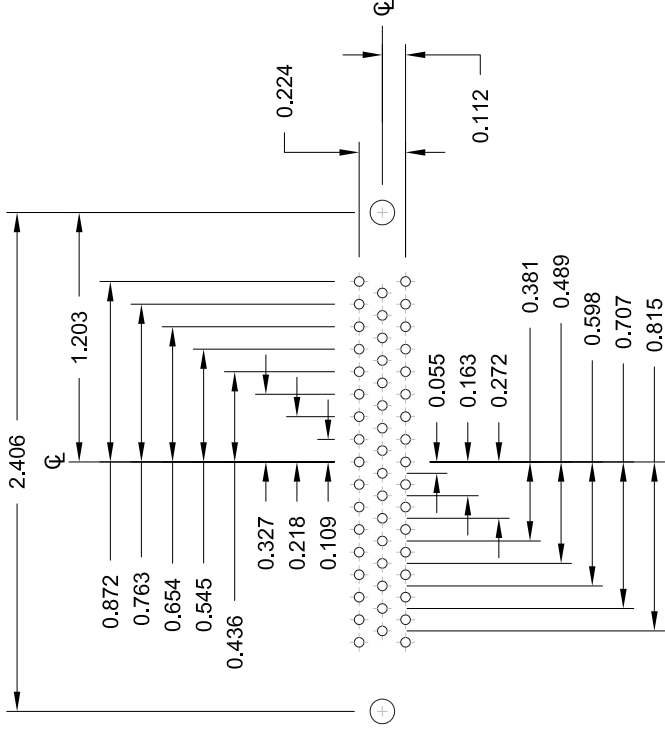
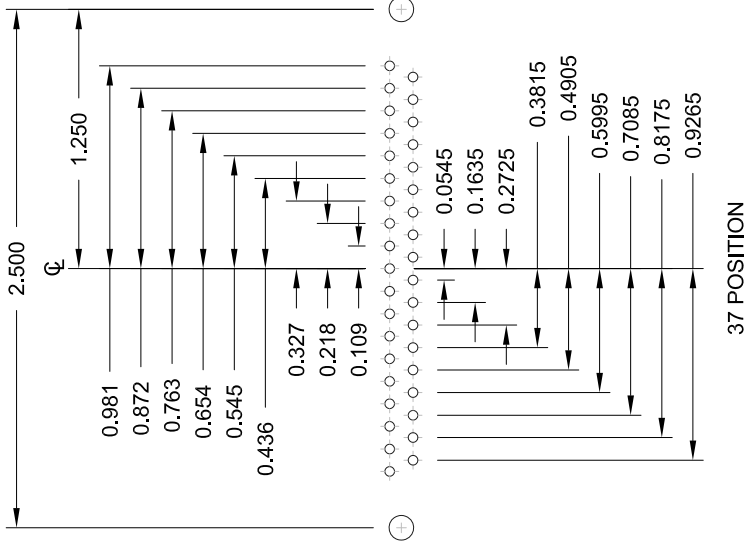
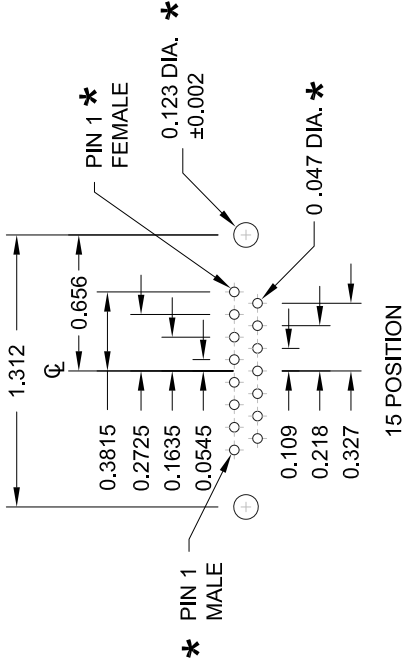
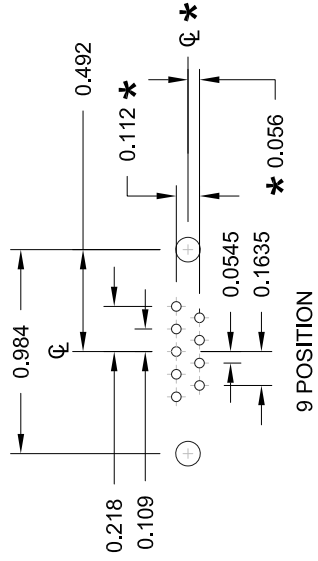
SCALE: NTS

DWG NO.

NorComp

ROHS COMPLIANT

DESCRIPTION: PCB LAYOUT - STANDARD "D" - MALE & FEMALE



37 POSITION

50 POSITION

DO NOT SCALE



NorComp

THESE DRAWINGS AND SPECIFICATIONS ARE THE PROPERTY OF NorComp AND SHALL NOT BE REPRODUCED, COPIED OR USED AS THE BASIS FOR THE MANUFACTURE OF SALE OF APPARATUS WITHOUT WRITTEN PERMISSION.

DRAWN:

PAN

SCALE:

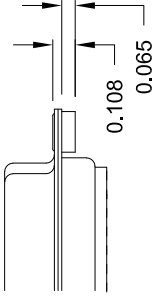
NT

DWG NO.

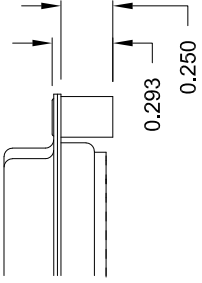
DESCRIPTION: CLINCH NUT HARDWARE

ALL CLINCH-NUTS ARE 4-40 INTERNAL THREADS

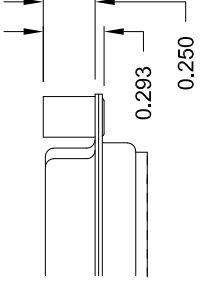
01X 0.065" (BOARD SIDE)



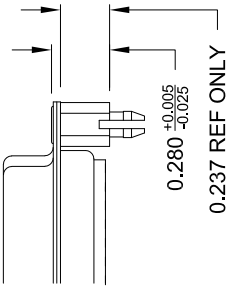
02X 0.250" (BOARD SIDE)



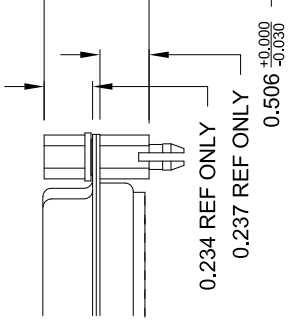
03X..... 0.250" (MATING SIDE)



05X 0.237" (BOARD SIDE)




91X 0.237" (BOARD SIDE)



NOTE: 4-40 FEMALE SCREW LOCK IS REQUIRED

DO NOT SCALE

	THESE DRAWINGS AND SPECIFICATIONS ARE THE PROPERTY OF NorComp AND SHALL NOT BE REPRODUCED, COPIED OR USED AS THE BASIS FOR THE MANUFACTURE OF SALE OF APPARATUS WITHOUT WRITTEN PERMISSION.	DRAWN: PAN
	NorComp	SCALE: NTS DWG NO.

ROHS COMPLIANT

Looking for pricing, stock, or lifecycle information?

Click below to explore more details on WIN SOURCE:

 [View 172-009-242R001 on WIN SOURCE](#)

 [NorComp Inc. Information](#)

Optimize Your Supply Chain with WIN SOURCE Solutions

-  Global Sourcing Solution
-  Obsolete Management
-  Cost Control Management
-  Shortage Management
-  Alternative Solution
-  Excess Inventory Management