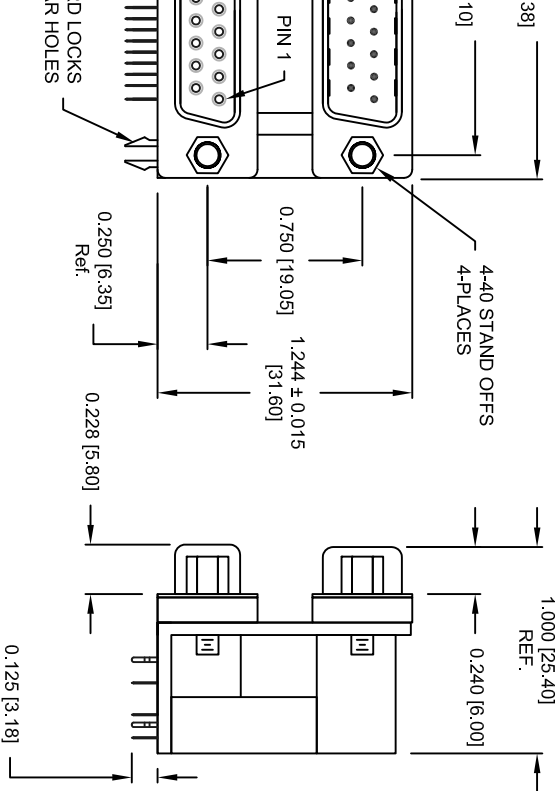




THE DATASHEET OF
178-015-413R571



DUAL PORT D-SUB - MALE OVER FEMALE



DIMENSIONS - INCHES [MM]					
POS	9	15	25	37	
A	1.213 [30.81]	1.543 [39.19]	2.078 [52.78]	2.724 [69.19]	
B	0.984 [24.99]	1.312 [33.32]	1.850 [46.99]	2.500 [63.50]	
C	0.494 [12.55]	0.494 [12.55]	0.494 [12.55]	0.494 [12.55]	

SPECIFICATION:

MATERIAL: STEEL, NICKEL PLATED
SHELL: UL 94V-0 RATED, BLACK PA9T, 260° PROCESS TEMP.
CONTACTS: BRASS
CONTACT PLATING: SEE PART NUMBER KEY BELOW

ELECTRICAL: 5,000 MΩ Min.
INSULATOR RESISTANCE: 25 mΩ Max.
CONTACT RESISTANCE: 250VAC (r.m.s.)
VOLTAGE: 5 AMPS
CURRENT RATING: 5 AMPS
OPERATING TEMPERATURE: -55° C TO 85° C

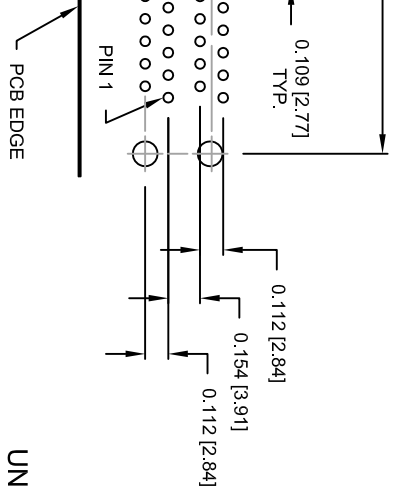
178-YYY-413R571

SERIES _____
POSITIONS _____
 009 _____
 015 _____
 025 _____
 037 _____
GENDER _____
 31 = FEMALE OVER MALE
 41 = MALE OVER FEMALE
 51 = FEMALE OVER FEMALE
 61 = MALE OVER MALE
SHELL PLATING _____
 3 = NICKEL
ROHS COMPLIANT (HIGH TEMP. PROCESS) _____
HARDWARE OPTIONS _____
 57 = 4-40 STAND OFFS/BOARD LOCKS
PLATING OPTIONS _____
 1 = GOLD FLASH
 A = 30u" GOLD MATING AREA/GOLD FLASH TAILS
 9 = 30u" GOLD MATING AREA/TIN TAILS

UNITS = inch [mm]

DO NOT SCALE FROM DRAWING

PCB LAYOUT



THESE DRAWINGS AND SPECIFICATIONS ARE THE PROPERTY OF NorComp AND SHALL NOT BE REPRODUCED, COPIED OR USED AS THE BASIS FOR THE MANUFACTURE OR SALE OF APPARATUS WITHOUT WRITTEN PERMISSION.

NorComp

DRAWN: C. SMITH		DATE: 03-30-07	
SCALE: NTS	SHEET 1 OF 1	REV 7	
DWG NO. 178-YYY-413R571			

IMPLIANT

Looking for pricing, stock, or lifecycle information?

Click below to explore more details on WIN SOURCE:

 [View 178-015-413R571 on WIN SOURCE](#)

 [NorComp Inc. Information](#)

Optimize Your Supply Chain with WIN SOURCE Solutions

-  Global Sourcing Solution
-  Obsolete Management
-  Cost Control Management
-  Shortage Management
-  Alternative Solution
-  Excess Inventory Management