



**THE DATASHEET OF
FC7BSCCMM6.0-T1**



Features

- Tolerances down to ± 10 PPM
- Stabilities down to ± 5 PPM
- Operating Temperature Range to $-55^{\circ}\text{C} \sim +125^{\circ}$

| STANDARD SPECIFICATIONS | |
|--|---|
| PARAMETERS | MAX (Unless otherwise noted) |
| Frequency Range | 6.000 ~ 50.000 MHz |
| Frequency Tolerance @ 25°C | (See options below) |
| Frequency Stability, ref 25°C | (See options below) |
| Temperature Range | |
| Operating (T_{OPR}) | (See options below) |
| Storage (T_{STG}) | $-55^{\circ}\text{C} \sim +125^{\circ}\text{C}$ |
| Shunt Capacitance (C_0) | 5 pF |
| Load Capacitance (C_L) | (See options below) |
| Drive Level | |
| 6.000 ~ 50.000 MHz | 0.5 mW |
| Aging per year (@ 25°C) | ± 3 PPM |
| Maximum Soldering Temp / Time | $260^{\circ}\text{C} / 10$ Seconds x 2 |
| Moisture Sensitivity Level (MSL) per J-STD-033 | Not Applicable |
| Termination Finish | Au over Ni |
| Seal Method | Seam |
| Lead (Pb) Free | Yes |
| RoHS Compliant | Yes |

| Frequency Range (MHz) | Operating Mode | Max ESR Ω |
|-----------------------|----------------|------------------|
| 6.000 ~ 9.999999 | Fundamental | 80 |
| 10.000 ~ 15.999999 | Fundamental | 50 |
| 16.000 ~ 31.999999 | Fundamental | 40 |
| 32.000 ~ 39.999999 | Fundamental | 30 |
| 40.000 ~ 50.000000 | Fundamental | 20 |

| DIMENSIONS / MECHANICAL SPECIFICATIONS |
|---|
| |
| |
| |
| <p>Dimensions in mm</p> <p>Recommended Solder Pad Layout</p> |
| <p>Pin Connections</p> <p>#4 - Lid/Gnd #3 - Crystal #1 - Crystal #2 - Lid/Gnd</p> |
| <p>Note: Dimensional drawing is for reference to critical specifications defined by size measurements. Certain non-critical visual attributes, such as side castellations, etc. may vary. Cut corner/rounded pad not shown. Crystal has no polarity and cannot be placed incorrectly; pin numbers are for reference only.</p> |

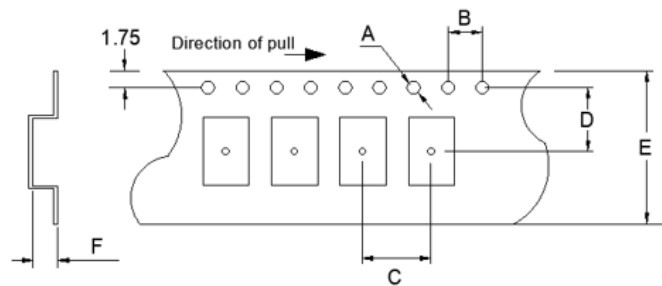
AVAILABLE OPERATING TEMPERATURES AND STABILITIES*

| Operating Temperature | ±5 PPM | ±10 PPM | ±15 PPM | ±20 PPM | ±25 PPM | ±30 PPM | ±50 PPM | ±100 PPM |
|-----------------------|--------|---------|---------|---------|---------|---------|---------|----------|
| -0°C ~ +70°C | X | O | O | O | O | O | O | N/A |
| -10°C ~ +60°C | O | O | O | O | O | O | O | N/A |
| -10°C ~ +70°C | X | O | O | O | O | O | O | N/A |
| -20°C ~ +70°C | X | O | O | O | O | O | O | N/A |
| -30°C ~ +85°C | X | X | O | O | O | O | O | N/A |
| -40°C ~ +85°C | X | X | O | O | O | O | O | N/A |
| -40°C ~ +105°C | X | X | X | X | X | X | O | O |
| -40°C ~ +125°C | X | X | X | X | X | X | O | O |
| -55°C ~ +155°C | X | X | X | X | X | X | O | O |

Key: O = Available, X = Not Available, N/A = Not Applicable

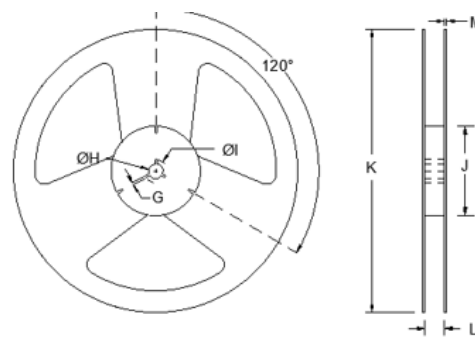
TAPE SPECIFICATIONS (mm)

| A | B | C | D | E | F | REEL QTY |
|-------|-----|-----|-----|------|-----|----------------------------|
| ø1.55 | 4.0 | 8.0 | 7.5 | 16.0 | 1.7 | -T1 = 1,000 -T2 = 2,000 |



REEL SPECIFICATIONS (mm)

| G | H | I | J | K | L | M |
|-----|-----|-----|------------|--------------|------|-----|
| 2.0 | ø13 | ø21 | ø60 ø80 | ø180 ø250 | 17.5 | 2.0 |





Available Options & Part Identification for Crystal Model C7BS¹

Sample PN: FC7BSBBMD25.0-T1

| F | C7BS | B | B | M | D | 25.0 | -T1 |
|------------|---------------------|--|---|---|--|------------------------|--|
| <u>Fox</u> | <u>Model Number</u> | <u>Tolerance</u> | <u>Stability</u> | <u>Load Capacitance</u> ² | <u>Operating Temperature</u> | <u>Frequency (MHz)</u> | <u>Values Added Options</u> |
| | | B = ±50 PPM C = ±30 PPM D = ±25 PPM E = ±20 PPM F = ±15 PPM H = ±10 PPM | A = ±100 PPM B = ±50 PPM C = ±30 PPM D = ±25 PPM E = ±20 PPM F = ±15 PPM H = ±10 PPM L = ±5 PPM | E = 10pF G = 12pF J = 15pF K = 16pF L = 18pF M = 20pF | C = 0 to +70°C D = -10 to +60°C E = -10 to +70°C F = -20 to +70°C K = -30 to +85°C M = -40 to +85°C P = -40 to +105°C I = -40 to +125°C T = -55 to +125°C | | Blank = Bulk T1 = 1,000 pcs T2 = 2,000 pcs |

1 Not all frequency, tolerance, stability, load, and operating temperature combinations may be available.

2 Listed load capacitances represent the most commonly used. Other load capacitances are available. Contact us for assistance

Reliability Test Conditions

Please contact Abracon Quality Assurance department

Looking for pricing, stock, or lifecycle information?

Click below to explore more details on WIN SOURCE:

 [View FC7BSCCMM6.0-T1 on WIN SOURCE](#)

 [Fox Electronics Information](#)

Optimize Your Supply Chain with WIN SOURCE Solutions

-  Global Sourcing Solution
-  Obsolete Management
-  Cost Control Management
-  Shortage Management
-  Alternative Solution
-  Excess Inventory Management