



**THE DATASHEET OF
LTC4364HMS-2#TRPBF**



Surge Stopper with Ideal Diode

FEATURES

- Wide Operating Voltage Range: 4V to 80V
- Withstands Surges Over 80V with V_{CC} Clamp
- Adjustable Output Clamp Voltage
- Ideal Diode Controller Holds Up Output Voltage During Input Brownouts
- Reverse Input Protection to -40V
- Reverse Output Protection to -20V
- Overcurrent Protection
- Low 10 μ A Shutdown Current at 12V
- Adjustable Fault Timer
- 0.1% Retry Duty Cycle During Faults (LTC4364-2)
- Available in 4mm \times 3mm 14-Lead DFN, 16-Lead MSOP, and 16-Lead SO Packages
- AEC-Q100 Qualified for Automotive Applications

APPLICATIONS

- Automotive/Avionic Surge Protection
- Hot Swap/Live Insertion
- Redundant Supply ORing
- Output Port Protection

DESCRIPTION

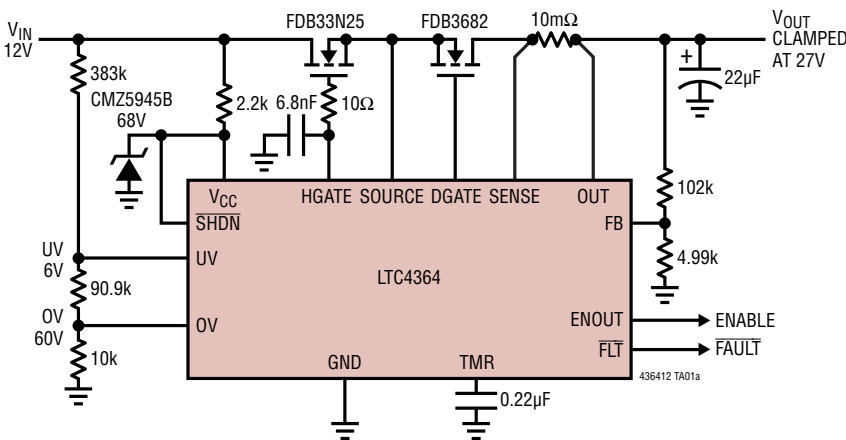
The LTC4364 surge stopper with ideal diode controller protects loads from high voltage transients. It limits and regulates the output during an overvoltage event, such as load dump in automobiles, by controlling the voltage drop across an external N-channel MOSFET pass device. The LTC4364 also includes a timed, current limited circuit breaker. In a fault condition, an adjustable fault timer must expire before the pass device is turned off. The LTC4364-1 latches off the pass device while the LTC4364-2 automatically restarts after a delay. The LTC4364 precisely monitors the input supply for overvoltage (OV) and undervoltage (UV) conditions. The external MOSFET is held off in undervoltage and auto-retry is disabled in overvoltage.

An integrated ideal diode controller drives a second MOSFET to replace a Schottky diode for reverse input protection and output voltage holdup. The LTC4364 controls the forward voltage drop across the MOSFET and minimizes reverse current transients upon power source failure, brownout or input short.

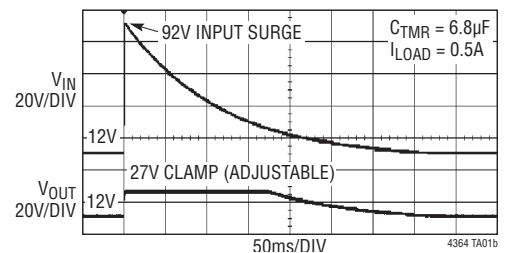
All registered trademarks and trademarks are the property of their respective owners.

TYPICAL APPLICATION

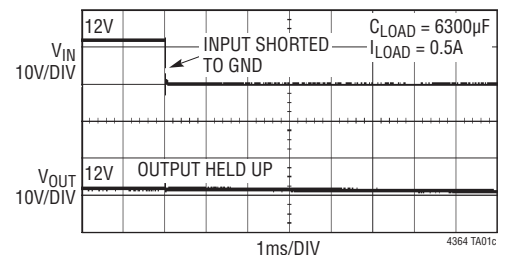
4A, 12V Overvoltage Output Regulator with Ideal Diode
Withstands 200V 1ms Transient at V_{IN}



Overvoltage Protector Regulates Output at 27V During Input Transient



Ideal Diode Holds Up Output During Input Short

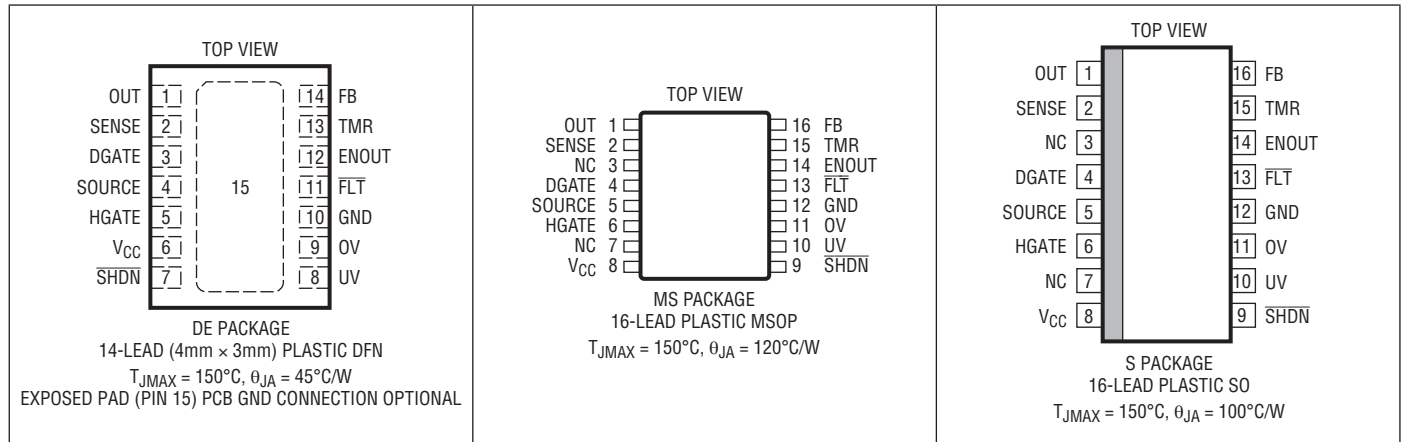


LTC4364-1/LTC4364-2

ABSOLUTE MAXIMUM RATINGS (Notes 1, 2)

| | | | |
|---|-------------------------------|--------------------------------------|----------------|
| Supply Voltage: V_{CC} | -40V to 100V | FB, TMR Voltages | -0.3V to 5.5V |
| SOURCE, OV, UV, SHDN Voltages | -40V to 100V | Operating Ambient Temperature Range | |
| DGATE, HGATE Voltages | | LTC4364C | 0°C to 70°C |
| (Note 3) | SOURCE - 0.3V to SOURCE + 10V | LTC4364I | -40°C to 85°C |
| ENOUT, FLT Voltages | -0.3V to 100V | LTC4364H | -40°C to 125°C |
| OUT, SENSE Voltages | -20V to 100V | Storage Temperature Range | -65°C to 150°C |
| Voltage Difference (SENSE to OUT) | -30V to 30V | Lead Temperature (Soldering, 10 sec) | |
| Voltage Difference (OUT to V_{CC}) | -100V to 100V | MS, SO Packages | 300°C |
| Voltage Difference (SENSE to SOURCE) .. | -100V to 100V | | |

PIN CONFIGURATION



ORDER INFORMATION

| TUBE | TAPE AND REEL | PART MARKING* | PACKAGE DESCRIPTION | TEMPERATURE RANGE |
|------------------|--------------------|---------------|---------------------------------|-------------------|
| LTC4364CDE-1#PBF | LTC4364CDE-1#TRPBF | 43641 | 14-Lead (4mm × 3mm) Plastic DFN | 0°C to 70°C |
| LTC4364IDE-1#PBF | LTC4364IDE-1#TRPBF | 43641 | 14-Lead (4mm × 3mm) Plastic DFN | -40°C to 85°C |
| LTC4364HDE-1#PBF | LTC4364HDE-1#TRPBF | 43641 | 14-Lead (4mm × 3mm) Plastic DFN | -40°C to 125°C |
| LTC4364CDE-2#PBF | LTC4364CDE-2#TRPBF | 43642 | 14-Lead (4mm × 3mm) Plastic DFN | 0°C to 70°C |
| LTC4364IDE-2#PBF | LTC4364IDE-2#TRPBF | 43642 | 14-Lead (4mm × 3mm) Plastic DFN | -40°C to 85°C |
| LTC4364HDE-2#PBF | LTC4364HDE-2#TRPBF | 43642 | 14-Lead (4mm × 3mm) Plastic DFN | -40°C to 125°C |
| LTC4364CMS-1#PBF | LTC4364CMS-1#TRPBF | 43641 | 16-Lead Plastic MSOP | 0°C to 70°C |
| LTC4364IMS-1#PBF | LTC4364IMS-1#TRPBF | 43641 | 16-Lead Plastic MSOP | -40°C to 85°C |
| LTC4364HMS-1#PBF | LTC4364HMS-1#TRPBF | 43641 | 16-Lead Plastic MSOP | -40°C to 125°C |
| LTC4364CMS-2#PBF | LTC4364CMS-2#TRPBF | 43642 | 16-Lead Plastic MSOP | 0°C to 70°C |
| LTC4364IMS-2#PBF | LTC4364IMS-2#TRPBF | 43642 | 16-Lead Plastic MSOP | -40°C to 85°C |
| LTC4364HMS-2#PBF | LTC4364HMS-2#TRPBF | 43642 | 16-Lead Plastic MSOP | -40°C to 125°C |
| LTC4364CS-1#PBF | LTC4364CS-1#TRPBF | LTC4364S-1 | 16-Lead Plastic SO | 0°C to 70°C |
| LTC4364IS-1#PBF | LTC4364IS-1#TRPBF | LTC4364S-1 | 16-Lead Plastic SO | -40°C to 85°C |
| LTC4364HS-1#PBF | LTC4364HS-1#TRPBF | LTC4364S-1 | 16-Lead Plastic SO | -40°C to 125°C |
| LTC4364CS-2#PBF | LTC4364CS-2#TRPBF | LTC4364S-2 | 16-Lead Plastic SO | 0°C to 70°C |

Rev. B

ORDER INFORMATION

| TUBE | TAPE AND REEL | PART MARKING* | PACKAGE DESCRIPTION | TEMPERATURE RANGE |
|------------------------------|---------------------|---------------|----------------------|-------------------|
| LTC4364IS-2#PBF | LTC4364IS-2#TRPBF | LTC4364S-2 | 16-Lead Plastic SO | -40°C to 85°C |
| LTC4364HS-2#PBF | LTC4364HS-2#TRPBF | LTC4364S-2 | 16-Lead Plastic SO | -40°C to 125°C |
| AUTOMOTIVE PRODUCTS** | | | | |
| LTC4364IMS-1#WPBF | LTC4364IMS-1#WTRPBF | 43641 | 16-Lead Plastic MSOP | -40°C to 85°C |
| LTC4364HMS-1#WPBF | LTC4364HMS-1#WTRPBF | 43641 | 16-Lead Plastic MSOP | -40°C to 125°C |
| LTC4364IMS-2#WPBF | LTC4364IMS-2#WTRPBF | 43642 | 16-Lead Plastic MSOP | -40°C to 85°C |
| LTC4364HMS-2#WPBF | LTC4364HMS-2#WTRPBF | 43642 | 16-Lead Plastic MSOP | -40°C to 125°C |
| LTC4364IS-1#WPBF | LTC4364IS-1#WTRPBF | LTC4364S-1 | 16-Lead Plastic SO | -40°C to 85°C |
| LTC4364HS-1#WPBF | LTC4364HS-1#WTRPBF | LTC4364S-1 | 16-Lead Plastic SO | -40°C to 125°C |
| LTC4364IS-2#WPBF | LTC4364IS-2#WTRPBF | LTC4364S-2 | 16-Lead Plastic SO | -40°C to 85°C |
| LTC4364HS-2#WPBF | LTC4364HS-2#WTRPBF | LTC4364S-2 | 16-Lead Plastic SO | -40°C to 125°C |

Contact the factory for parts specified with wider operating temperature ranges. *The temperature grade is identified by a label on the shipping container.

Tape and reel specifications. Some packages are available in 500 unit reels through designated sales channels with #TRMPBF suffix.

**Versions of this part are available with controlled manufacturing to support the quality and reliability requirements of automotive applications. These models are designated with a #W suffix. Only the automotive grade products shown are available for use in automotive applications. Contact your local Analog Devices account representative for specific product ordering information and to obtain the specific Automotive Reliability reports for these models.

ELECTRICAL CHARACTERISTICS

The ● denotes the specifications which apply over the full operating temperature range, otherwise specifications are at $T_A = 25^\circ\text{C}$. $V_{CC} = 12\text{V}$.

| SYMBOL | PARAMETER | CONDITIONS | MIN | TYP | MAX | UNITS | |
|-------------------------------|--|--|-----|------|------|---------------|---------------|
| V_{CC} | Operating Supply Range | | ● 4 | | 80 | V | |
| I_{CC} | Supply Current | $V_{CC} = \text{SOURCE} = \text{SENSE} = \text{OUT} = 12\text{V}$, No Fault | ● | 370 | 750 | μA | |
| $I_{CC}(\text{SHDN})$ | Supply Current in Shutdown | Shutdown | ● | 10 | 50 | μA | |
| $I_{CC}(\text{REV})$ | Reverse Input Current | $V_{CC} = -30\text{V}$ | ● | 0 | -10 | μA | |
| Surge Stopper | | | | | | | |
| ΔV_{HGATE} | HGATE Gate Drive, ($V_{\text{HGATE}} - V_{\text{SOURCE}}$) | $V_{CC} = 4\text{V}$, DGATE Low, $I_{\text{HGATE}} = 0\mu\text{A}$, $-1\mu\text{A}$ $V_{CC} = 8\text{V to } 80\text{V}$, DGATE Low, $I_{\text{HGATE}} = 0\mu\text{A}$, $-1\mu\text{A}$ | ● | 5 | 7 | 9 | V |
| | | | ● | 10 | 12 | 16 | V |
| $I_{\text{HGATE}}(\text{UP})$ | HGATE Pull-Up Current | $V_{CC} = \text{HGATE} = \text{DGATE} = \text{SOURCE} = 12\text{V}$ | ● | -10 | -20 | -30 | μA |
| $I_{\text{HGATE}}(\text{DN})$ | HGATE Pull-Down Current | Overvoltage: $\text{FB} = 1.5\text{V}$, $\Delta V_{\text{HGATE}} = 5\text{V}$ | ● | 60 | 130 | | mA |
| | | Overcurrent: $\Delta V_{\text{SNS}} = 100\text{mV}$, $\Delta V_{\text{HGATE}} = 5\text{V}$ | ● | 60 | 130 | | mA |
| | | Shutdown/Fault Turn-Off: $\Delta V_{\text{HGATE}} = 5\text{V}$ | ● | 0.4 | 1 | | mA |
| I_{SRC} | SOURCE Input Current | $V_{CC} = \text{SOURCE} = \text{SENSE} = \text{OUT} = 12\text{V}$ $V_{CC} = \text{SOURCE} = 12\text{V}$, Shutdown $V_{\text{SOURCE}} = -30\text{V}$ | ● | | 18 | 40 | μA |
| | | | ● | | 32 | 90 | μA |
| | | | ● | | -2.0 | -3.5 | mA |
| V_{FB} | FB Servo Voltage | $V_{CC} = 12\text{V to } 80\text{V}$ | ● | 1.22 | 1.25 | 1.28 | V |
| I_{FB} | FB Input Current | $\text{FB} = 1.25\text{V}$ | ● | | 0 | ± 1 | μA |
| ΔV_{SNS} | Overcurrent Fault Threshold, ($V_{\text{SENSE}} - V_{\text{OUT}}$) | $V_{CC} = 4\text{V to } 80\text{V}$, $\text{OUT} = 2.5\text{V to } V_{CC}$, $0^\circ\text{C to } 125^\circ\text{C}$ $V_{CC} = 4\text{V to } 80\text{V}$, $\text{OUT} = 2.5\text{V to } V_{CC}$, $-40^\circ\text{C to } 125^\circ\text{C}$ $V_{CC} = 4\text{V to } 80\text{V}$, $\text{OUT} = 0\text{V to } 1.5\text{V}$ | ● | 45 | 50 | 55 | mV |
| | | | ● | 43 | 50 | 57 | mV |
| | | | ● | 18 | 25 | 32 | mV |

LTC4364-1/LTC4364-2

ELECTRICAL CHARACTERISTICS

The ● denotes the specifications which apply over the full operating temperature range, otherwise specifications are at $T_A = 25^\circ\text{C}$. $V_{CC} = 12\text{V}$.

| SYMBOL | PARAMETER | CONDITIONS | | MIN | TYP | MAX | UNITS |
|-----------------------------|---|---|--|-------------|----------------|-------------|--------------------------------|
| I_{SNS} | SENSE Input Current | SENSE = V_{CC} = SOURCE = OUT = 12V SENSE = -15V | ● ● | | 55 -2 | 110 -4 | μA mA |
| $I_{\text{TMR(UP)}}$ | TMR Pull-Up Current, Overvoltage | TMR = 1V, FB = 1.5V, V_{CC} - OUT = 0.5V TMR = 1V, FB = 1.5V, V_{CC} - OUT = 75V | ● ● | -1.3 -40 | -2.2 -50 | -3 -60 | μA μA |
| | TMR Pull-Up Current, Overcurrent | TMR = 1V, $\Delta V_{\text{SNS}} = 60\text{mV}$, V_{CC} - OUT = 0.5V TMR = 1V, $\Delta V_{\text{SNS}} = 60\text{mV}$, V_{CC} - OUT = 75V | ● ● | -6 -210 | -10 -260 | -14 -310 | μA μA |
| | TMR Pull-Up Current, Warning | TMR = 1.3V, FB = 1.5V, V_{CC} - OUT = 0.5V | ● | -3 | -5 | -7 | μA |
| | TMR Pull-Up Current, Retry | TMR = 1V, FB = 1.5V | ● | -1.3 | -2 | -3 | μA |
| $I_{\text{TMR(DN)}}$ | TMR Pull-Down Current | TMR = 1V, FB = 1.5V, Retry Shutdown | ● ● | 1.1 0.3 | 2 0.75 | 2.7 1.5 | μA mA |
| $V_{\text{TMR(F)}}$ | TMR Fault Threshold | $\overline{\text{FLT}}$ Falling, $V_{CC} = 4\text{V}$ to 80V | ● | 1.22 | 1.25 | 1.28 | V |
| $V_{\text{TMR(G)}}$ | TMR Gate Off Threshold | HGATE Falling, $V_{CC} = 4\text{V}$ to 80V | ● | 1.32 | 1.35 | 1.38 | V |
| $V_{\text{TMR(R)}}$ | TMR Retry Threshold | HGATE Rising (After 32 Cycles), $V_{CC} = 4\text{V}$ to 80V | ● | 0.125 | 0.15 | 0.175 | V |
| ΔV_{TMR} | Early Warning Timer Window | $V_{\text{TMR(G)}} - V_{\text{TMR(F)}}$, $V_{CC} = 4\text{V}$ to 80V | ● | 75 | 100 | 125 | mV |
| V_{UV} | UV Input Threshold | UV Falling, $V_{CC} = 4\text{V}$ to 80V | ● | 1.22 | 1.25 | 1.28 | V |
| $V_{\text{UV(HYST)}}$ | UV Input Hysteresis | | ● | 25 | 50 | 80 | mV |
| $V_{\text{UV(RST)}}$ | UV Reset Threshold | UV Falling, $V_{CC} = 4\text{V}$ to 80V, LTC4364-1 Only | ● | 0.5 | 0.6 | 0.7 | V |
| V_{OV} | OV Input Threshold | OV Rising, $V_{CC} = 4\text{V}$ to 80V | ● | 1.22 | 1.25 | 1.28 | V |
| $V_{\text{OV(HYST)}}$ | OV Input Hysteresis | | | | 12 | | mV |
| I_{IN} | UV, OV Input Current | UV, OV = 1.25V | ● | | 0 | ± 1 | μA |
| | | UV, OV = -30V | ● | | -0.3 | -0.6 | mA |
| V_{OL} | ENOUT, $\overline{\text{FLT}}$ Output Low | $I_{\text{SINK}} = 0.25\text{mA}$ | ● | | 0.1 | 0.3 | V |
| | | $I_{\text{SINK}} = 2\text{mA}$ | ● | | 0.5 | 1.3 | V |
| I_{LEAK} | ENOUT, $\overline{\text{FLT}}$ Leakage Current | ENOUT, $\overline{\text{FLT}} = 80\text{V}$ | ● | | 0 | ± 2.5 | μA |
| $\Delta V_{\text{OUT(TH)}}$ | OUT High Threshold ($V_{CC} - V_{\text{OUT}}$) | ENOUT from Low to High | ● | 0.4 | 0.7 | 1 | V |
| $V_{\text{OUT(RST)}}$ | OUT Reset Threshold | ENOUT from High to Low | ● | 1.4 | 2.2 | 3 | V |
| I_{OUT} | OUT Input Current | $V_{CC} = \text{OUT} = 12\text{V}$, SHDN Open OUT = -15V | ● ● | | 40 -4 | 80 -8 | μA mA |
| | | Output Current in Shutdown, $I_{\text{SNS}} + I_{\text{OUT}}$ | $V_{CC} = \text{SOURCE} = \text{SENSE} = \text{OUT} = 12\text{V}$, Shutdown | ● | | 12 | 40 |
| V_{SHDN} | SHDN Input Threshold | $V_{CC} = 4\text{V}$ to 80V | ● | 0.5 | 1.6 | 2.2 | V |
| $V_{\text{SHDN(FLT)}}$ | SHDN Pin Float Voltage | $V_{CC} = 12\text{V}$ to 80V | ● | 2.3 | 4 | 6.5 | V |
| I_{SHDN} | SHDN Input Current | SHDN = 0.5V Maximum Allowable Leakage, $V_{CC} = 4\text{V}$ SHDN = -30V | ● ● | -1 | -3.3 -1.5 | | μA μA |
| | | | ● | | -120 | -300 | μA |
| D | Retry Duty Cycle, Overvoltage Retry Duty Cycle, Output Short | FB = 1.5V, $V_{CC} = 80\text{V}$, OUT = 16V $\Delta V_{\text{SNS}} = 60\text{mV}$, V_{CC} - OUT = 12V | ● ● | | 0.125 0.075 | 0.2 0.12 | % % |
| | | | | | | | |
| $t_{\text{OFF,HGATE(UV)}}$ | Undervoltage to HGATE Low Propagation Delay | UV Steps from 1.5V to 1V | ● | | 1.3 | 4 | μs |
| $t_{\text{OFF,HGATE(OV)}}$ | Overvoltage to HGATE Low Propagation Delay | FB Steps from 1V to 1.5V | ● | | 0.25 | 1 | μs |
| $t_{\text{OFF,HGATE(OC)}}$ | Overcurrent to HGATE Low Propagation Delay | ΔV_{SNS} Steps from 0mV to 150mV, OUT = 0V | ● | | 0.5 | 2 | μs |

ELECTRICAL CHARACTERISTICS

The ● denotes the specifications which apply over the full operating temperature range, otherwise specifications are at $T_A = 25^\circ\text{C}$. $V_{CC} = 12\text{V}$.

| SYMBOL | PARAMETER | CONDITIONS | MIN | TYP | MAX | UNITS | |
|--------------------|--|---|-----|-----|------|-------|---------------|
| Ideal Diode | | | | | | | |
| ΔV_{DGATE} | DGATE Gate Drive, ($V_{DGATE} - V_{SOURCE}$) | $V_{CC} = 4\text{V}$, $I_{DGATE} = 0\mu\text{A}$, $-1\mu\text{A}$, Fully On | ● | 5 | 8.5 | 12 | V |
| | | $V_{CC} = 8\text{V to } 80\text{V}$, $I_{DGATE} = 0\mu\text{A}$, $-1\mu\text{A}$, Fully On | ● | 10 | 12 | 16 | V |
| $I_{DGATE(UP)}$ | DGATE Pin Pull-Up Current | DGATE = SOURCE = $V_{CC} = 12\text{V}$, $\Delta V_{SD} = 0.1\text{V}$ | ● | -5 | -10 | -15 | μA |
| $I_{DGATE(DN)}$ | DGATE Pin Pull-Down Current | $\Delta V_{DGATE} = 5\text{V}$, $\Delta V_{SD} = -0.2\text{V}$ | ● | 60 | 130 | | mA |
| | | $\Delta V_{DGATE} = 5\text{V}$, Shutdown/Fault Turn-Off | ● | 0.4 | 1 | | mA |
| ΔV_{SD} | Ideal Diode Regulation Voltage, ($V_{SOURCE} - V_{SENSE}$) | $\Delta V_{DGATE} = 2.5\text{V}$, $V_{CC} = SOURCE = 12\text{V}$ | ● | 10 | 30 | 45 | mV |
| | | $\Delta V_{DGATE} = 2.5\text{V}$, $V_{CC} = SOURCE = 4\text{V}$ | ● | 24 | 48 | 72 | mV |
| $t_{OFF(DGATE)}$ | DGATE Turn-Off Propagation Delay | ΔV_{SD} Steps from 0.1V to -1V | ● | | 0.35 | 1.5 | μs |

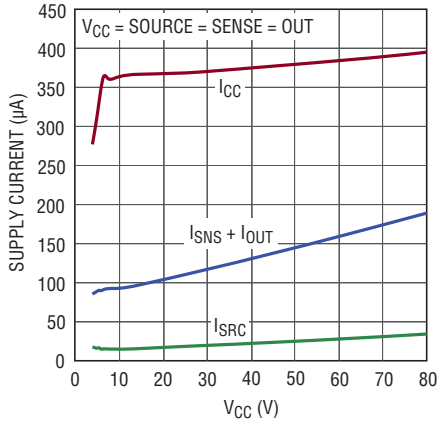
Note 1: Stresses beyond those listed under Absolute Maximum Ratings may cause permanent damage to the device. Exposure to any Absolute Maximum Rating condition for extended periods may affect device reliability and lifetime.

Note 2: All currents into device pins are positive and all currents out of device pins are negative. All voltages are referenced to GND unless otherwise specified.

Note 3: Internal clamps limit the HGATE and DGATE pins to a minimum of 10V above the SOURCE pin. Driving these pins to voltages beyond the clamp may damage the device.

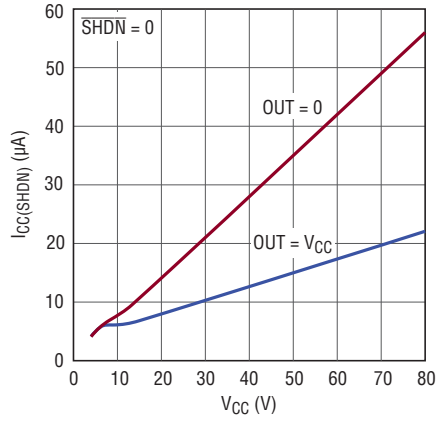
TYPICAL PERFORMANCE CHARACTERISTICS

Supply Current vs V_{CC}



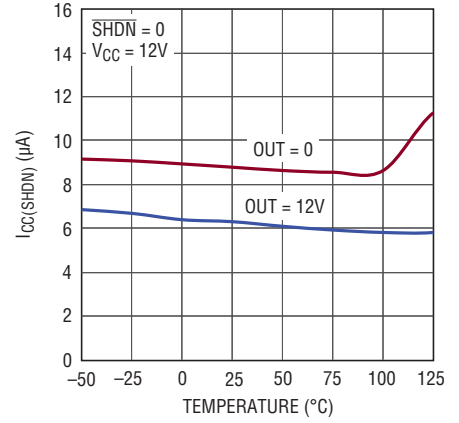
436412 G01

$I_{CC(SHDN)}$ vs V_{CC}



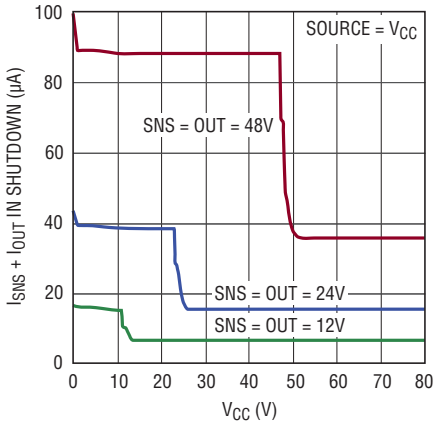
436412 G02

$I_{CC(SHDN)}$ vs Temperature



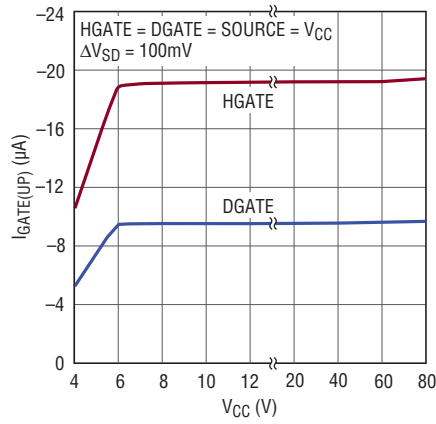
436412 G03

$I_{SNS} + I_{OUT}$ in Shutdown vs V_{CC}



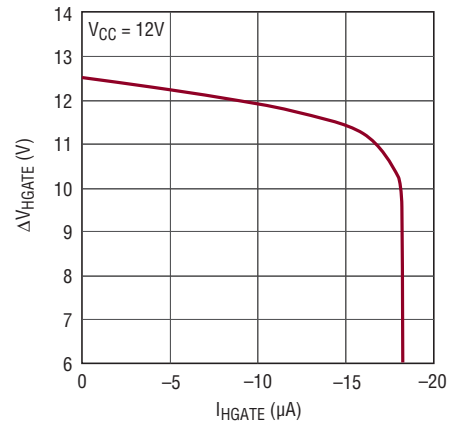
436412 G04

GATE Pull-Up Current vs V_{CC}



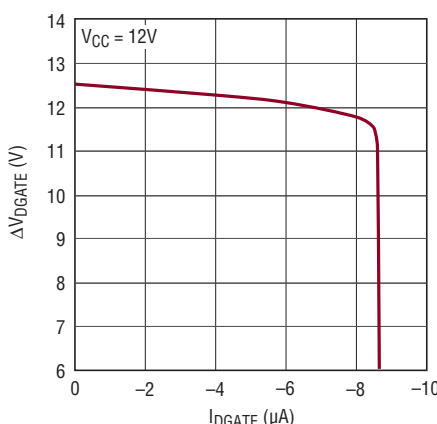
436412 G05

ΔV_{HGATE} vs I_{HGATE}



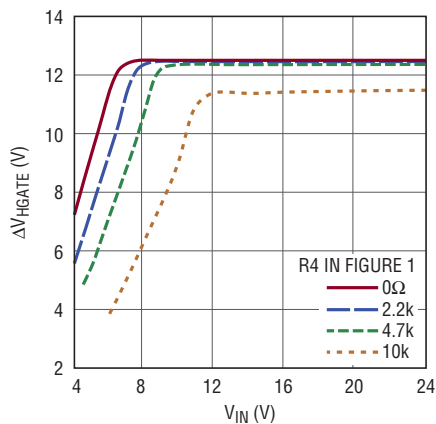
436412 G06

ΔV_{DGATE} vs I_{DGATE}



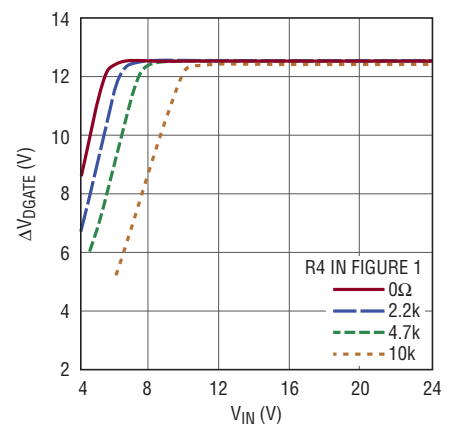
436412 G07

ΔV_{HGATE} vs V_{IN} in Figure 1



436412 G08

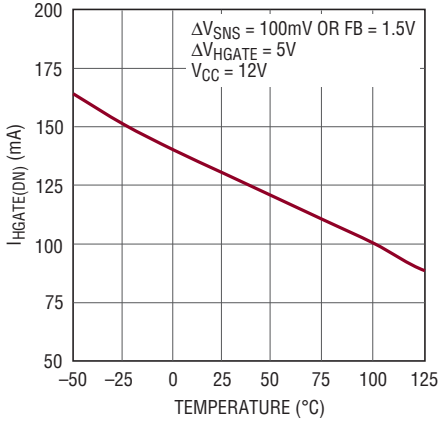
ΔV_{DGATE} vs V_{IN} in Figure 1



436412 G09

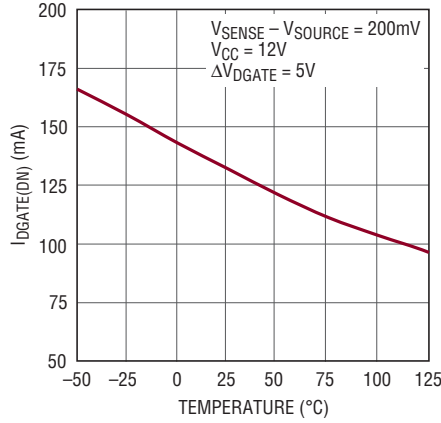
TYPICAL PERFORMANCE CHARACTERISTICS

HGATE Pull-Down Current vs Temperature



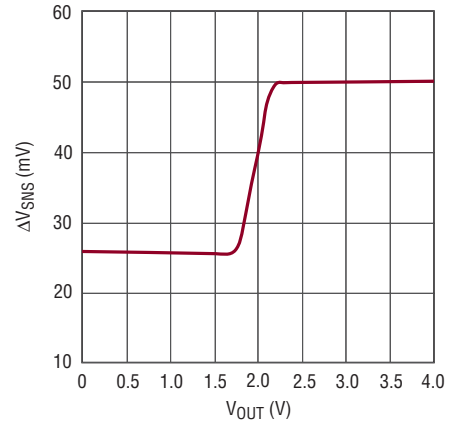
436412 G10

DGATE Pull-Down Current vs Temperature



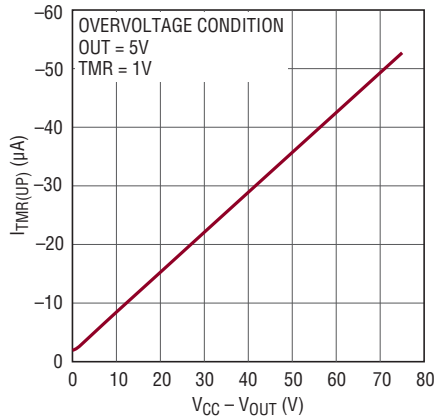
436412 G11

Overcurrent Threshold vs OUT Voltage



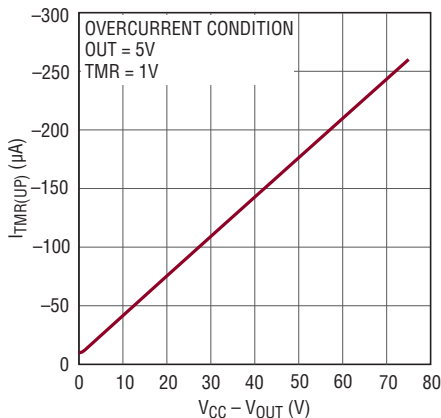
436412 G12

Overvoltage TMR Current vs V_{CC} - V_{OUT}



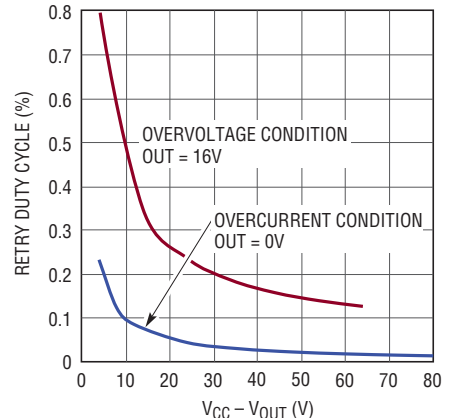
436412 G13

Overcurrent TMR Current vs V_{CC} - V_{OUT}



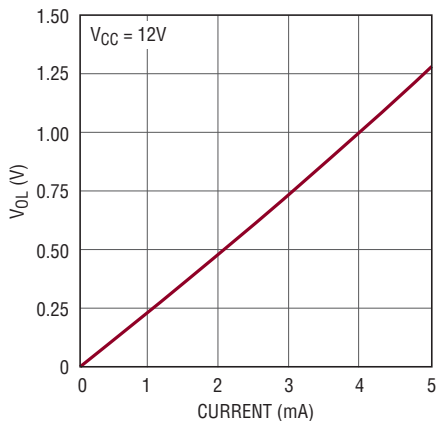
436412 G14

Retry Duty Cycle vs V_{CC} - V_{OUT} (LTC4364-2 Only)



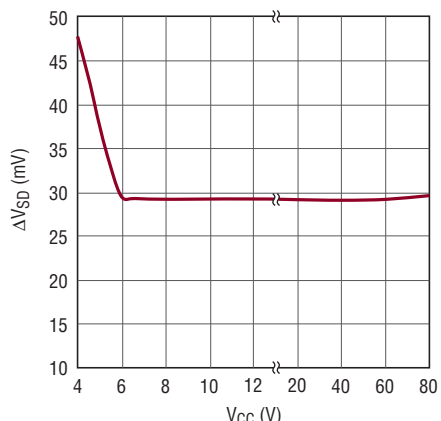
436412 G15

EN, $\overline{\text{FLT}}$ Output Low vs Current



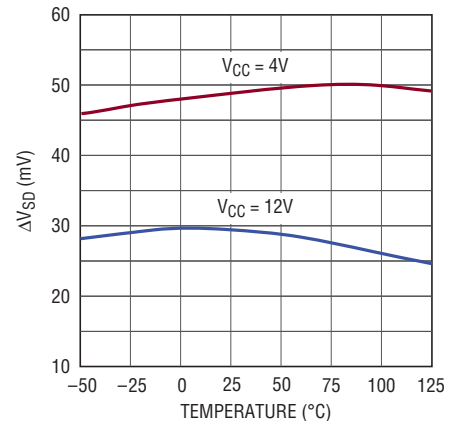
436412 G16

Ideal Diode Regulation Voltage vs V_{CC}



436412 G17

Ideal Diode Regulation Voltage vs Temperature



436412 G18

PIN FUNCTIONS (DE/MS/S)

OUT (Pin 1/Pin 1/Pin 1): Output Voltage Sense Input. This pin senses the voltage at the drain of the external N-channel MOSFET connected to the DGATE pin. The voltage difference between V_{CC} and OUT sets the fault timer current. When this difference drops below 0.7V, the ENOUT pin goes high impedance. Bypass OUT with at least 22 μ F low ESR electrolytic capacitor (Output Bypassing section)

SENSE (Pin 2/Pin 2/Pin 2): Current Sense Input. Connect this pin to the input side of the current sense resistor. The current limit circuit controls the HGATE pin to limit the sense voltage between the SENSE and OUT pins to 50mV if OUT is above 2.5V. When OUT drops below 1.5V, the sense voltage is reduced to 25mV for additional protection during an output short. The sense amplifier also starts a current source to charge up the TMR pin. The voltage difference between SENSE and OUT must be limited to less than 30V. Connect to OUT if unused.

DGATE (Pin 3/Pin 4/Pin 4): Diode Controller Gate Drive Output. When the load current creates more than 30mV of drop across the MOSFET, the DGATE pin is pulled high by an internal charge pump current source and clamped to 12V above the SOURCE pin. When the load current is small, the DGATE pin is actively driven to maintain 30mV across the MOSFET. If reverse current develops, a 130mA fast pull-down circuit quickly connects the DGATE pin to the SOURCE pin, turning off the MOSFET. DGATE is held low even when V_{CC} is not powered or drops below GND if output is held high. For 24V or higher supplies, connect a 15V Zener between DGATE and SOURCE. Connect to SOURCE or leave open if unused.

SOURCE (Pin 4/Pin 5/Pin 5): Common Source Input and Gate Drive Return. Connect this pin directly to the sources of the external back-to-back N-channel MOSFETs. SOURCE is the anode of the ideal diode and the voltage sensed between this pin and the SENSE pin is used to control the source-drain voltage across the N-channel MOSFET (forward voltage of the ideal diode).

HGATE (Pin 5/Pin 6/Pin 6): Surge Stopper Gate Drive Output. The HGATE pin is pulled up by an internal charge pump current source and clamped to 12V above the SOURCE pin. Both voltage and current amplifiers control

the HGATE pin to regulate the output voltage and limit the current through the MOSFET. Connect a 6.8nF or larger capacitor from HGATE to GND. For 24V or higher supply, connect a 15V Zener between HGATE and SOURCE.

V_{CC} (Pin 6/Pin 8/Pin 8): Positive Supply Voltage Input. The positive supply input ranges from 4V to 80V for normal operation. It can also be pulled below ground potential by up to 40V during a reverse battery condition, without damaging the part. Shutting down the LTC4364 by pulling the $\overline{\text{SHDN}}$ pin to ground reduces the V_{CC} current to 10 μ A.

$\overline{\text{SHDN}}$ (Pin 7/Pin 9/Pin 9): Shutdown Control Input. Pulling the $\overline{\text{SHDN}}$ pin below 0.5V shuts off the LTC4364 and reduces the V_{CC} pin current to 10 μ A. Pull this pin above 2.2V or disconnect it to allow the internal current source to turn the part back on. When left open, the $\overline{\text{SHDN}}$ voltage is internally clamped to 4V. The leakage current to ground at the pin should be limited to no more than 1 μ A if no pull-up device is used to turn the part on. The $\overline{\text{SHDN}}$ pin can be pulled up to 100V or below GND by 40V without damage.

NC (Pins 3 and 7, MS and S Packages Only): No Connection. Not internally connected. While these pins can be connected to ground or any other voltage, leaving them open increases clearance to adjacent high voltage pins.

UV (Pin 8/Pin 10/Pin 10): Undervoltage Comparator Input. When the UV pin falls below its 1.25V threshold, the HGATE pin is pulled down with a 1mA current. When the UV pin rises above 1.25V plus the hysteresis, the HGATE pin is pulled up by the internal charge pump. For LTC4364-1, after HGATE is latched off, pulling the UV pin below 0.6V resets the latch and allows HGATE to retry. If unused, connect to the $\overline{\text{SHDN}}$ pin.

OV (Pin 9/Pin 11/Pin 11): Overvoltage Comparator Input. When OV is above its threshold of 1.25V, the fault retry function is inhibited. When OV falls below its threshold, the HGATE pin is allowed to turn back on when fault conditions are cleared. At power-up, an OV voltage higher than its threshold blocks turn-on of the external N-channel MOSFET controlled by the HGATE pin (see Applications Information). Connect to GND if unused.

PIN FUNCTIONS (DE/MS/S)

GND (Pin 10/Pin 12/Pin 12): Device Ground.

$\overline{\text{FLT}}$ (Pin 11/Pin 13/Pin 13): Fault Output. An open-drain output that pulls low after the TMR pin reaches the warning threshold of 1.25V. An external pull-up resistor or current source is required. A low state of $\overline{\text{FLT}}$ indicates the pass device controlled by the HGATE pin is about to turn off because either the supply voltage has stayed at an elevated level for an extended period of time (over-voltage fault) or the device is in an overcurrent condition (overcurrent fault). The internal FET is capable of sinking up to 2mA and can withstand up to 80V. Connect to GND or leave open if unused.

ENOUT (Pin 12/Pin 14/Pin 14): Enable Output. An open-drain output that goes high impedance when the voltage at the OUT pin is above ($V_{\text{CC}} - 0.7\text{V}$), indicating the external MOSFETs are fully on. An external pull-up resistor or current source to OUT is required (see Output Monitor). The state of the pin is latched and resets when the OUT pin drops below 2.2V. The internal FET is capable of sinking up to 2mA and can withstand up to 80V. Connect to GND or leave open if unused.

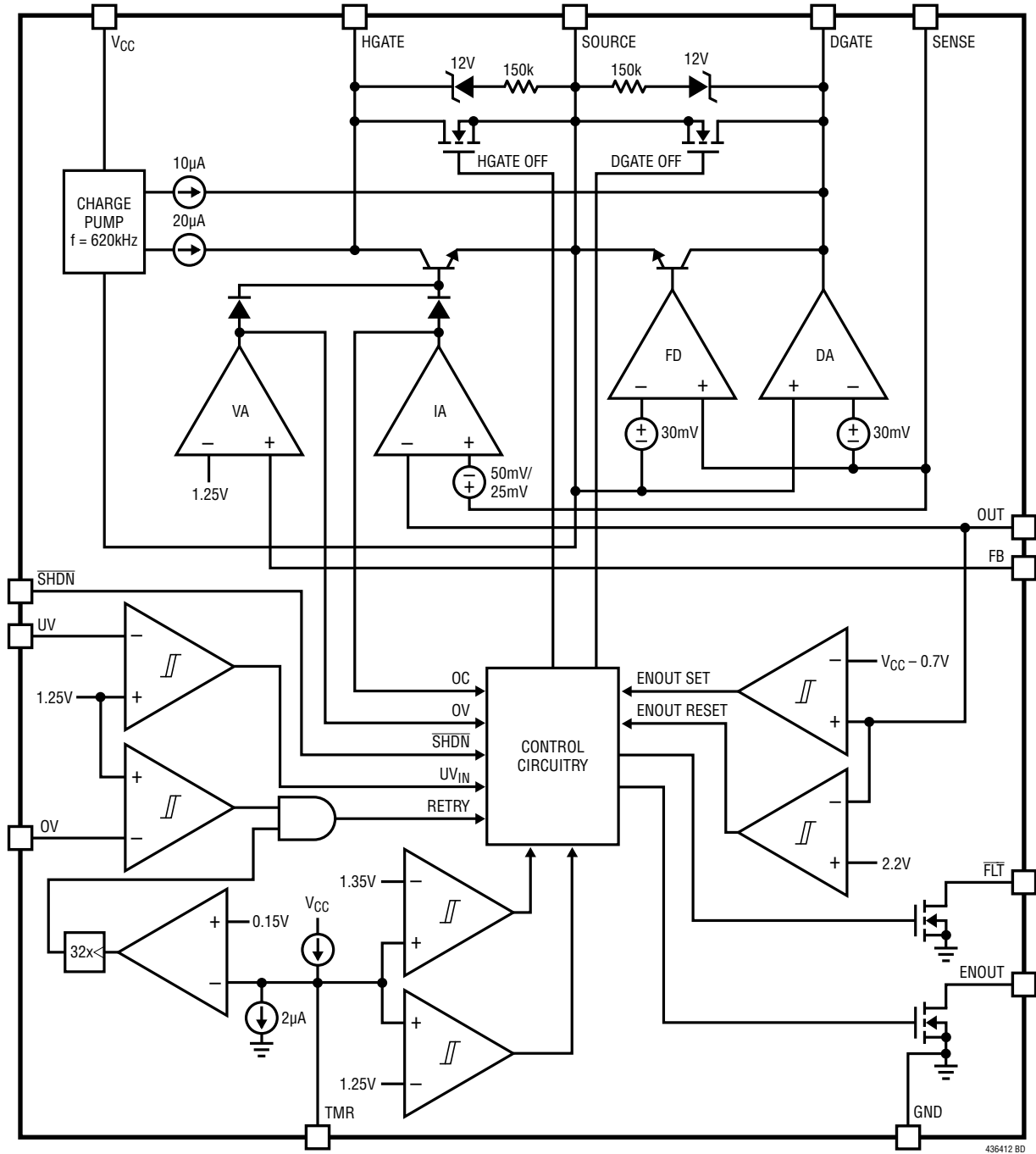
TMR (Pin 13/Pin 15/Pin 15): Fault Timer Input. Connect an accurate capacitor with low voltage and low temperature

coefficients between this pin and ground to set the times for fault warning, fault turn-off, and cool down periods. Either voltage regulation or current regulation starts pulling up the TMR pin. The current charging up this pin during the fault conditions increases with the voltage difference between V_{CC} and OUT pins (see Applications Information). When TMR reaches 1.25V, the $\overline{\text{FLT}}$ pin pulls low to indicate the detection of a fault condition. If the condition persists, the pass device controlled by HGATE turns off when TMR reaches the threshold of 1.35V. As soon as the fault condition disappears, a cool down interval commences while the TMR pin cycles 32 times between 0.15V and 1.35V with 2 μA charge and discharge currents. When TMR crosses 0.15V the 32nd time, the HGATE pin is allowed to pull high turning the pass device back on if the OV pin voltage is below its threshold for the LTC4364-2 version. The HGATE pin latches low after fault time-out for the LTC4364-1.

FB (Pin 14/Pin 16/Pin 16): Voltage Regulator Feedback Input. Connect this pin to the resistive divider connected between the OUT pin and ground. During an overvoltage condition, the HGATE pin is controlled to maintain 1.25V at the FB pin. Connect to GND to disable the overvoltage clamp.

Exposed Pad (Pin 15, DE Package Only): Exposed pad may be left open or connected to device ground (GND).

BLOCK DIAGRAM



436412 BD

OPERATION

The LTC4364 is designed to suppress high voltage surges and limit the output voltage to protect load circuitry and ensure normal operation in high availability power systems. It features an overvoltage protection regulator that drives an external N-channel MOSFET (M1) as the pass device and an ideal diode controller that drives a second external N-channel MOSFET (M2) for reverse input protection and output voltage holdup.

The LTC4364 operates from a wide range of supply voltage, from 4V to 80V. With a clamp limiting the V_{CC} supply, the input voltage may be higher than 80V. The input supply can also be pulled below ground potential by up to 40V without damaging the LTC4364. The low power supply requirement of 4V allows it to operate even during cold cranking conditions in automotive applications.

Normally, the pass device M1 is fully on, supplying current to the load with very little power loss. If the input voltage surges too high, the voltage amplifier (VA) controls the gate of M1 and regulates the voltage at the OUT pin to a level that is set by an external resistive divider from the OUT pin to ground and the internal 1.25V reference. The LTC4364 also detects an overcurrent condition by monitoring the voltage across an external sense resistor placed between the SENSE and OUT pins. An active current limit circuit (IA) controls the gate of M1 to limit the sense voltage to 50mV if OUT is above 2.5V. In the case of a severe output short that brings OUT below 1.5V, the sense voltage is reduced to 25mV to reduce the stress on M1.

During an overvoltage or overcurrent event, a current source starts charging up the capacitor connected at the TMR pin to ground. The pull-up current source in overcurrent condition is 5 times of that in overvoltage to accelerate turn-off. When TMR reaches 1.25V, the \overline{FLT} pin pulls low to warn of impending turn-off. The pass device M1 stays on and the TMR pin is further charged up until it reaches 1.35V, at which point the HGATE pin pulls low and turns off M1. The fault timer allows the load to continue functioning during brief transient events while protecting the MOSFET from being damaged by a long period of input overvoltage, such as load dump in

vehicles. The fault timer period decreases with the voltage across the MOSFET, to help keep the MOSFET within its safe operating area (SOA). The LTC4364-1 latches off M1 and keeps \overline{FLT} low after a fault timeout. The LTC4364-2 allows M1 to turn back on and \overline{FLT} to go high impedance after a cool down timer cycle, provided the OV pin is below its threshold.

After the HGATE pin is latched low following fault, momentarily pulling the \overline{SHDN} pin below 0.5V resets the fault and allows HGATE to pull high for both LTC4364-1 and LTC4364-2. In addition, momentarily pulling the UV pin below 0.6V allows HGATE to pull high after the cool down timer delay for LTC4364-1, but has no effect on LTC4364-2.

The source and drain of MOSFET M2 serve as the anode and cathode of the ideal diode. The LTC4364 controls the DGATE pin to maintain a 30mV forward voltage across the drain and source terminals of M2. It reduces the power dissipation and increases the available supply voltage to the load, as compared to using a discrete blocking diode. If M2 is driven fully on and the load current results in more than 30mV of forward voltage, the forward voltage is equal to $R_{DS(ON)} \cdot I_{LOAD}$.

In the event of an input short or a power supply failure, reverse current temporarily flows through the MOSFET M2 that is on. If the reverse voltage exceeds -30mV , the LTC4364 pulls the DGATE pin low strongly and turns off M2, minimizing the disturbance at the output. When the HGATE pin pulls low in any fault condition, the DGATE pin also pulls low, so both pass devices are turned off.

If the input or output (and so the SOURCE pin, through the MOSFET body diode) drops below GND, both DGATE and HGATE pins are pulled to the SOURCE pin voltage, turning the MOSFETs off and shutting down the current path in both directions.

An input undervoltage condition is accurately detected using the UV pin. The HGATE and DGATE pins remain low if UV is below its 1.25V threshold. The \overline{SHDN} pin not only turns off the pass devices but also shuts down the internal circuitry, reducing the supply current to 10 μA .

APPLICATIONS INFORMATION

Some power systems must cope with high voltage surges of short duration such as those in automobiles. Load circuitry must be protected from these transients, yet critical systems may need to continue operating during these events.

The LTC4364 drives an N-channel MOSFET (M1) at the HGATE pin to limit the voltage and current to the load circuitry during supply transients or overcurrent events. The selection of M1 is critical for this application. It must stay on and provide a low impedance path from the input supply to the load during normal operation and then dissipate power during overvoltage or overcurrent conditions. The LTC4364 also drives a second N-channel MOSFET (M2) at the DGATE pin as an ideal diode to protect the load from damage during reverse polarity input conditions, and to block reverse current flow in the event the input collapses. A typical application circuit using the LTC4364 to regulate the output at 27V during input surges with reverse input protection is shown in Figure 1.

Overvoltage Fault

The LTC4364 limits the voltage at the OUT pin during an overvoltage situation. An internal voltage amplifier regulates the HGATE pin voltage to maintain 1.25V at the FB pin. During this period of time, the N-channel MOSFET M1 remains on and supplies current to the load. This allows uninterrupted operation during brief overvoltage transient events.

If the voltage regulation loop is engaged for longer than the timeout period, set by the timer capacitor, an overvoltage fault is detected. The HGATE pin is pulled down to the SOURCE pin by a 1mA current, turning M1 off. This prevents M1 from being damaged during a long period of overvoltage, such as during load dump in automobiles. After the fault condition has disappeared and a cool down period has transpired, the HGATE pin starts to pull high again (LTC4364-2). The LTC4364-1 latches the HGATE pin low after an overvoltage fault timeout and can be reset using the $\overline{\text{SHDN}}$ or UV pin (see Resetting Faults).

Overcurrent Fault

The LTC4364 features an adjustable current limit that protects against short circuits and excessive load current. During an overcurrent event, the HGATE pin is regulated to limit the current sense voltage across the SENSE and OUT pins (ΔV_{SNS}) to 50mV when OUT is above 2.5V. The current limit sense voltage is reduced to 25mV when OUT is below 1.5V for additional protection during an output short.

A current sense resistor is placed between SENSE and OUT and its value (R_{SNS}) is determined by:

$$R_{\text{SNS}} = \frac{\Delta V_{\text{SNS}}}{I_{\text{LIM}}}$$

where I_{LIM} is the desired current limit.

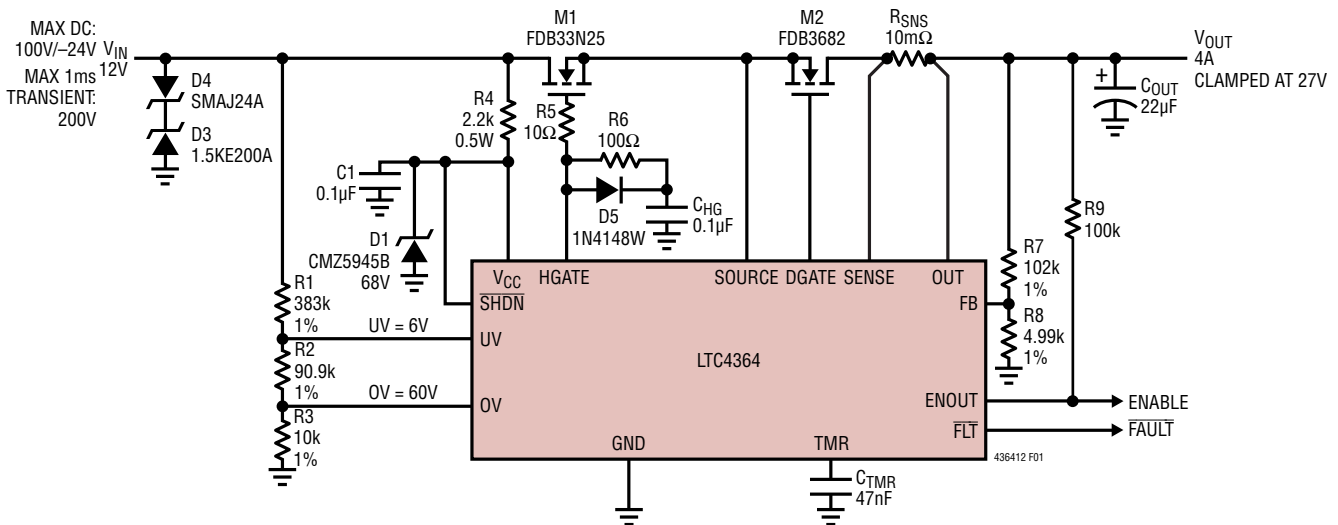


Figure 1. 4A, 12V Overvoltage Output Regulator with Reverse Current Protection

APPLICATIONS INFORMATION

An overcurrent fault occurs when the current limit circuitry has been engaged for longer than the timeout delay set by the timer capacitor. The HGATE pin is then immediately pulled low by 1mA to the SOURCE pin, turning off the MOSFET M1. After the fault condition has disappeared and a cool down period has transpired, the HGATE pin is allowed to pull back up and turn on the pass device (LTC4364-2). The LTC4364-1 latches the HGATE pin low after the overcurrent fault timeout and can be reset using the $\overline{\text{SHDN}}$ or UV pin (see Resetting Faults).

Input Overvoltage Comparator

Input overvoltage is detected with the OV pin and an external resistive divider connected to the input (Figure 1). At power-up, if the OV pin voltage is higher than its 1.25V threshold before the 100 μs internal power-on-reset expires, or before the input undervoltage condition is cleared at the UV pin, the HGATE pin will be held low until the OV pin voltage drops below its threshold. To prevent start-up in the event the board is hot swapped into an overvoltage supply, separate resistive dividers with filtering capacitors can be used for the OV and UV pins (Figure 2). The RC constants should be skewed so that $\tau_{\text{UV}}/\tau_{\text{OV}} > 50$. In Figure 2, if the board is plugged into a supply that is higher than 60V, the LTC4364 will not turn on the pass devices until the supply voltage drops below 60V.

Once the HGATE pin begins pulling high, an input overvoltage condition detected by OV will not turn off the pass device. Instead, OV prevents the LTC4364 from restarting following a fault (see Cool Down Period and Restart). This prevents the pass device from cycling between ON and OFF states when the input voltage stays at an elevated

level for a long period of time, reducing the stress on the MOSFET.

Input Undervoltage Comparator

The LTC4364 detects input undervoltage conditions such as low battery using the UV pin. When the voltage at the UV pin is below its 1.25V threshold, the HGATE pin pulls low to keep the pass device off. Once the UV pin voltage rises above the UV threshold plus the UV hysteresis (50mV typical), the HGATE pin is allowed to pull up without going through a timer cycle. In Figure 1 and Figure 2, the input UV threshold is set by the resistive dividers to 6V. An undervoltage condition does not produce an output at the $\overline{\text{FLT}}$ pin.

Output Monitor

During normal start-up when the OUT pin voltage reaches within 0.7V of V_{CC} , the open drain ENOUT pin goes high impedance, indicating the external MOSFET is fully on. The state of the pin is latched until the OUT pin voltage drops below 2.2V, resetting the latch and pulling the ENOUT pin low. When the OUT pin voltage is lower than 1V, the open drain device can no longer hold ENOUT low if the pull-up of ENOUT is connected to a separate supply. Connect the pull-up to OUT and use at least 100k pull-up resistance to suppress ENOUT to below 0.6V (typical) when OUT is lower than 1V. A level shifter can be used to interface with downstream low voltage logic input.

Fault Timer

The LTC4364 includes an adjustable fault timer. Connecting a capacitor from the TMR pin to ground sets the delay period before the MOSFET M1 is turned off during an overvoltage or overcurrent fault condition. The same capacitor also sets the cool down period before M1 is allowed to turn back on after the fault condition has disappeared. Once a fault condition is detected, a current source charges up the TMR pin. The current level varies depending on the voltage drop across the V_{CC} pin and the OUT pin, corresponding to the MOSFET V_{DS} . The on time is inversely proportional to the voltage drop across the MOSFET. This scheme therefore takes better advantage of the available safe operating area (SOA) of the MOSFET than would a fixed timer current.

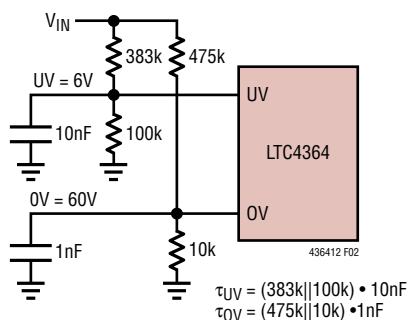
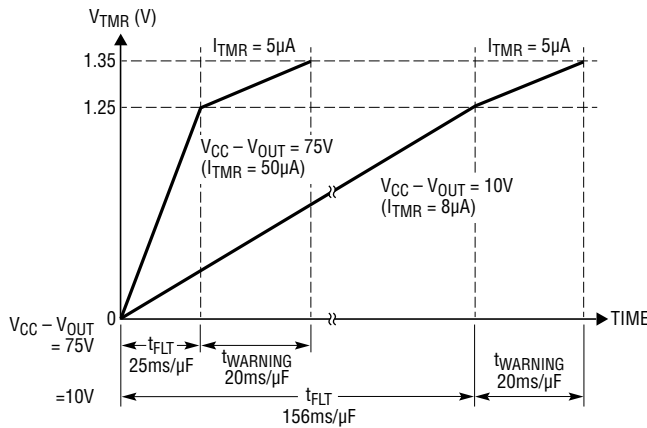
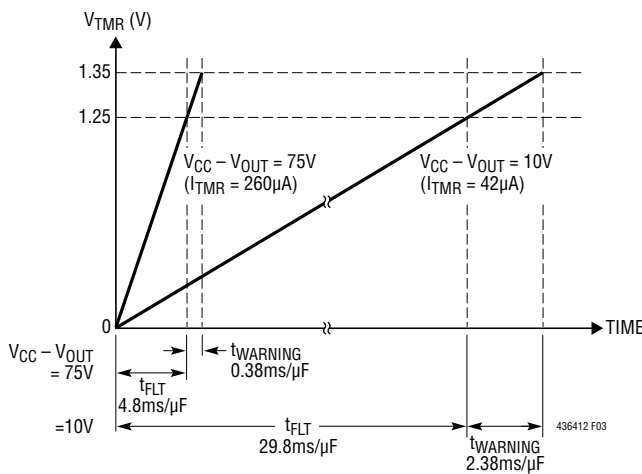


Figure 2. External UV and OV Configuration Blocks Start-Up Into an Overvoltage Condition

APPLICATIONS INFORMATION



(a) Overtolerance Fault Timer Current



(b) Overcurrent Fault Timer Current

Figure 3. Fault Timer Current of the LTC4364

The timer current starts at around $2\mu\text{A}$ with 0.5V or less of $V_{CC} - V_{OUT}$, increasing linearly to $50\mu\text{A}$ with 75V of $V_{CC} - V_{OUT}$ during an overvoltage fault (Figure 3a):

$$I_{TMR(UP)OV} = 2\mu\text{A} + 0.644[\mu\text{A/V}] \cdot (V_{CC} - V_{OUT} - 0.5\text{V})$$

During an overcurrent fault, the timer current starts at $10\mu\text{A}$ with 0.5V or less of $V_{CC} - V_{OUT}$ and increases to $260\mu\text{A}$ with 75V of $V_{CC} - V_{OUT}$ (Figure 3b):

$$I_{TMR(UP)OC} = 10\mu\text{A} + 3.36[\mu\text{A/V}] \cdot (V_{CC} - V_{OUT} - 0.5\text{V})$$

This arrangement allows the pass device to turn off faster during an overcurrent event, since more power is dissipated under this condition. Refer to the Typical Performance Characteristics section for the timer current at different $V_{CC} - V_{OUT}$ in both overvoltage and overcurrent events.

When the voltage at the TMR pin, V_{TMR} , reaches 1.25V , the $\overline{\text{FLT}}$ pin pulls low to indicate the detection of a fault condition and provide warning of the impending power loss. In the case of an overvoltage fault, the timer current then switches to a fixed $5\mu\text{A}$. The interval between $\overline{\text{FLT}}$ asserting low and the MOSFET M1 turning off is given by:

$$t_{\text{WARNING}} = \frac{C_{TMR} \cdot 100\text{mV}}{5\mu\text{A}}$$

This constant early warning period allows the load to perform necessary backup or housekeeping functions before the supply is cut off. After V_{TMR} crosses the 1.35V threshold, the pass device M1 turns off immediately. Note that during an overcurrent event, the timer current is not reduced to $5\mu\text{A}$ after V_{TMR} has reached 1.25V threshold, since it would lengthen the overall fault timer period and cause more stress on the power transistor during an overcurrent event.

Assuming $V_{CC} - V_{OUT}$ remains constant, the on-time of HGATE during an overvoltage fault is:

$$t_{OV} = \frac{C_{TMR} \cdot 1.25\text{V}}{I_{TMR(UP)OV}} + \frac{C_{TMR} \cdot 100\text{mV}}{5\mu\text{A}}$$

and that during an overcurrent fault is:

$$t_{OC} = \frac{C_{TMR} \cdot 1.35\text{V}}{I_{TMR(UP)OC}}$$

If the fault condition disappears after TMR reaches 1.25V but is lower than 1.35V , the TMR pin is discharged by $2\mu\text{A}$. When TMR drops to 0.15V , the $\overline{\text{FLT}}$ pin resets to a high impedance state.

Cool Down Period and Restart

As soon as TMR reaches 1.35V and HGATE pulls low in a fault condition, the TMR pin starts discharging with a $2\mu\text{A}$ current. When the TMR pin voltage drops to 0.15V , TMR charges with $2\mu\text{A}$. When TMR reaches 1.35V , it starts discharging again with $2\mu\text{A}$. This pattern repeats 32 times to form a long cool down timer period before retry (Figure 4). At the end of the cool down period (when the TMR pin voltage drops to 0.15V the 32nd time), the voltage at the OV pin is checked. If the OV voltage is above

APPLICATIONS INFORMATION

its 1.25V threshold, retry is inhibited and the HGATE pin remains low. If the OV pin voltage is below 1.25V minus the OV hysteresis, the LTC4364-2 retries, pulling the HGATE pin up and turning on the pass device M1. The $\overline{\text{FLT}}$ pin will then go to a high impedance state. The total cool down timer period is given by:

$$t_{\text{COOL}} = \frac{63 \cdot C_{\text{TMR}} \cdot 1.2\text{V}}{2\mu\text{A}}$$

The latch-off version, LTC4364-1, latches the HGATE and $\overline{\text{FLT}}$ pins low after a fault timeout. It also generates the cool down TMR pulses as shown in Figure 4, but does not retry after the cool down period. There are two ways to restart the part. The first method is to pull the UV pin below 0.6V momentarily (>10 μs) after the cool down timer period. If the UV reset pulse is asserted during the cool down period, the TMR pulses are unaffected and the part restarts after the cool down period ends. If OV is higher than 1.25V while UV reset pulse is applied, the part will not restart until OV drops below 1.25V even if the cool down period ends.

The second method of restarting the LTC4364-1 is to pulse the $\overline{\text{SHDN}}$ pin low for more than 200 μs . If this is applied during the cool down period, the cool down timer is reset with 1mA quickly discharging the TMR pin, and the part will restart when TMR drops below 0.15V. If the $\overline{\text{SHDN}}$ reset pulse is applied after the cool down period, the part restarts immediately. Sufficient cool down time should be allowed before toggling the $\overline{\text{SHDN}}$ pin to prevent overstressing the pass device.

A UV reset pulse has no effect on the operation of the LTC4364-2. However, if a $\overline{\text{SHDN}}$ reset pulse as described

above is asserted in the middle of the cool down period, the TMR pin quickly discharges with 1mA and the LTC4364-2 is allowed to restart once TMR drops below 0.15V. The OV pin gates the restart of either LTC4364-1 or LTC4364-2 with a $\overline{\text{SHDN}}$ reset pulse. The part will not restart until OV drops below 1.25V.

Reverse Input Protection

The LTC4364 can withstand reverse voltage without damage. The V_{CC} , $\overline{\text{SHDN}}$, UV, OV, HGATE, SOURCE and DGATE pins can all withstand up to -40V with respect to GND.

The LTC4364 controls a second N-channel MOSFET (M2) as an ideal diode to replace an in-line blocking diode for reverse input protection with minimum voltage drop in normal operation. In the event of an input short or a power supply brownout, reverse current may temporarily flow through M2. The LTC4364 detects this reverse current and immediately pulls the DGATE pin to the SOURCE pin, turning off M2. This minimizes discharge of the output reservoir capacitor and holds up the output voltage. In the case where the input supply drops below ground, the SOURCE pin is pulled below ground through the body diode of M1. The LTC4364 responds to this condition by shorting the DGATE pin to the SOURCE pin, keeping M2 off.

MOSFET Selection

The LTC4364 drives two N-channel MOSFETs, M1 and M2, as the pass devices to conduct the load current (Figure 1). The important features are on-resistance, $R_{\text{DS(ON)}}$, the maximum drain-source voltage, $V_{(\text{BR})\text{DSS}}$, the threshold voltage, and the safe operating area, SOA (for M1).

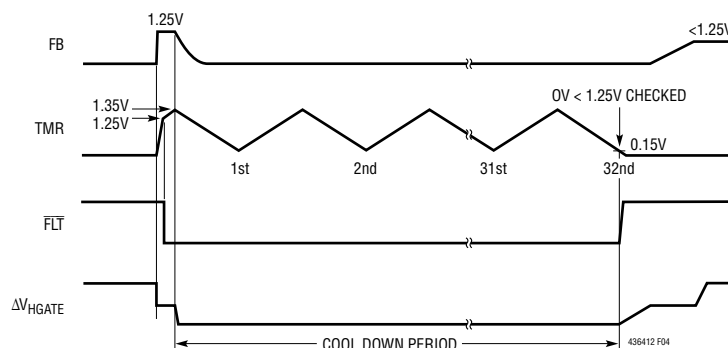


Figure 4. Auto-Retry Cool Down Timer Cycle Following an Overvoltage Fault (LTC4364-2 Only)

APPLICATIONS INFORMATION

The maximum drain-source voltage rating must be higher than the maximum input voltage. If the output is shorted to ground or in an overvoltage event, the full supply voltage will appear across M1. If the input is shorted to ground, M2 will be stressed by the voltage held up at the output.

The gate drive for both MOSFETs is guaranteed to be more than 10V and less than 16V for those applications with V_{CC} higher than 8V. This allows the use of standard threshold voltage N-channel MOSFETs. For systems with V_{CC} less than 8V, a logic-level MOSFET is required since the gate drive can be as low as 5V. For supplies of 24V or higher, a 15V Zener diode is recommended to be placed between gate and source of each MOSFET for extra protection (Figure 8 to Figure 10).

Transient Stress in the MOSFET

The SOA of the MOSFET must encompass all fault conditions. In normal operation the pass devices are fully on, dissipating very little power. But during either overvoltage or overcurrent faults, the HGATE pin is controlled to regulate either the output voltage or the current through MOSFET M1. Large current and high voltage drop across M1 can coexist in these cases. The SOA curves of the MOSFET must be considered carefully along with the selection of the fault timer capacitor.

During an overvoltage event, the LTC4364 drives the pass MOSFET M1 to regulate the output voltage at an acceptable level. The load circuitry may continue operating throughout this interval, but only at the expense of dissipation in the MOSFET pass device. MOSFET dissipation or stress is a function of the input voltage waveform, regulation voltage and load current. The MOSFET must be sized to survive this stress.

Most transient event specifications use the model shown in Figure 5. The idealized waveform comprises a linear ramp of rise time t_r , reaching a peak voltage of V_{PK} and exponentially decaying back to V_{IN} with a time constant of τ . A typical automotive transient specification has constants of $t_r = 10\mu\text{s}$, $V_{PK} = 80\text{V}$ and $\tau = 1\text{ms}$. A surge condition known as “load dump” has constants of $t_r = 5\text{ms}$, $V_{PK} = 60\text{V}$ and $\tau = 200\text{ms}$.

MOSFET stress is the result of power dissipated within the device. For long duration surges of 100ms or more, stress is increasingly dominated by heat transfer; this is a matter of device packaging and mounting, and heat sink thermal mass. This is analyzed by simulation, using the MOSFET’s thermal model.

For short duration transients of less than 100ms, MOSFET survival is increasingly a matter of SOA, an intrinsic property of the MOSFET. SOA quantifies the time required at any given condition of V_{DS} and I_D to raise the junction temperature of the MOSFET to its rated maximum. MOSFET SOA is expressed in units of watt-squared-seconds (P^2t), which is an integral of $P(t)^2dt$ over the duration of the transient. Figure 5 is essentially constant for intervals of less than 100ms for any given device type, and rises to infinity under DC operating conditions. Destruction mechanisms other than bulk die temperature distort the lines of an accurately drawn SOA graph so that P^2t is not the same for all combinations of I_D and V_{DS} . In particular P^2t tends to degrade as V_{DS} approaches the maximum rating, rendering some devices useless for absorbing energy above a certain voltage.

Calculating Transient Stress

To select a MOSFET suitable for any given application, the SOA stress of M1 must be calculated for each input transient which shall not interrupt operation. It is then a simple matter to choose a device which has adequate SOA to survive the maximum calculated stress. P^2t for a prototypical transient waveform is calculated as follows (Figure 6).

Let:

$$a = V_{REG} - V_{IN}$$

$$b = V_{PK} - V_{IN}$$

where V_{IN} = Nominal Input Voltage.

Then:

$$P^2t = I_{LOAD}^2 \left[\frac{1}{3} t_r \frac{(b-a)^3}{b} + \frac{1}{2} \tau \left(2a^2 \ln \frac{b}{a} + 3a^2 + b^2 - 4ab \right) \right]$$

APPLICATIONS INFORMATION

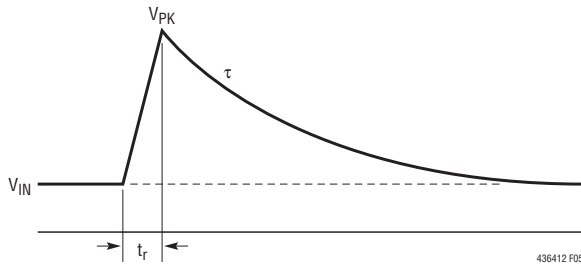


Figure 5. prototypical Transient Waveform

Typically $V_{REG} \approx V_{IN}$ and $\tau \gg t_r$ simplifying the above to:

$$P^2t = \frac{1}{2} I_{LOAD}^2 (V_{PK} - V_{REG})^2 \tau$$

For the transient conditions of $V_{PK} = 80V$, $V_{IN} = 12V$, $V_{REG} = 16V$, $t_r = 10\mu s$ and $\tau = 1ms$, and a load current of 3A, P^2t is $18.4W^2s$ —easily handled by a MOSFET in a D-pak package. The P^2t of other transient waveshapes is evaluated by integrating the square of MOSFET power versus time. LTspice® can be used to simulate timer behavior for more complex transients and cases where overvoltage and overcurrent faults coexist.

Short-Circuit Stress

SOA stress of M1 must also be calculated for output short-circuit conditions. Short-circuit P^2t is given by:

$$P^2t = \left(V_{IN} \cdot \frac{\Delta V_{SNS}}{R_{SNS}} \right)^2 \cdot t_{OC}$$

where ΔV_{SNS} is the overcurrent fault threshold and t_{OC} is the overcurrent timer interval.

For $V_{IN} = 15V$, $OUT = 0V$, $\Delta V_{SNS} = 25mV$, $R_{SNS} = 12m\Omega$ and $C_{TMR} = 100nF$, P^2t is $2.2W^2s$ —less than the transient SOA calculated in the previous example. Nevertheless, to account for circuit tolerances this figure should be doubled to $4.4W^2s$.

Limiting Inrush Current and HGATE Pin Compensation

The LTC4364 limits the inrush current to any load capacitance by controlling the HGATE pin voltage slew rate. An external capacitor, C_{HG} , can be connected from HGATE to ground to slow down the inrush current further at the

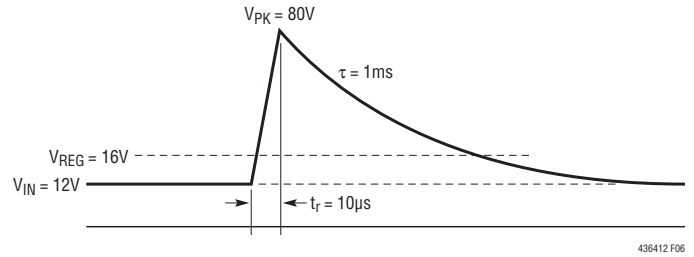


Figure 6. Safe Operating Area Required to Survive Prototypical Transient Waveform

expense of slower turn-off time. The gate capacitor is set at:

$$C_{HG} = \frac{I_{HGATE(UP)}}{I_{INRUSH}} \cdot C_L$$

where $I_{HGATE(UP)}$ is the HGATE pin pull-up current, I_{INRUSH} is the desired inrush current, C_L is total load capacitance at the output. In typical applications, a C_{HG} of 6.8nF is recommended for loop compensation during overvoltage and overcurrent events. With input voltage steps faster than $5V/\mu s$, a larger gate capacitor helps prevent self enhancement of the N-channel MOSFET.

The added gate capacitor slows down the turn-off time during fault conditions and allows higher peak currents to build up during an output short event. If this is a concern, an extra resistor, R_6 , in series with C_{HG} can restore the turn-off time. A diode, D_5 , should be placed across R_6 with the cathode connected to C_{HG} as shown in Figure 1. In a fast transient input step, D_5 provides a bypass path to C_{HG} for the benefit of holding HGATE low and preventing self enhancement.

Shutdown

The LTC4364 can be shut down to a low current mode by pulling \overline{SHDN} below 0.5V. The quiescent V_{CC} current drops to $10\mu A$ for both the LTC4364-1 and the LTC4364-2.

The \overline{SHDN} pin can be pulled up to 100V or below GND by up to 40V without damage. Leaving the pin open allows an internal current source to pull it up to about 4V and turn the part on. The leakage current at the pin should be limited to no more than $1\mu A$ if no pull-up device is used to help turn it on.

APPLICATIONS INFORMATION

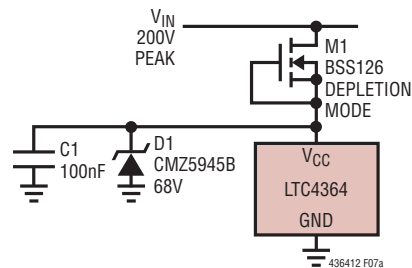
Supply Transient Protection

The LTC4364 is tested to operate to 80V and guaranteed to be safe from damage between 100V and $-40V$. Voltage transients above 100V or below $-40V$ may cause permanent damage. During a short-circuit condition, the large change in current flowing through power supply traces coupled with parasitic inductances from associated wiring can cause destructive voltage transients in both positive and negative directions at the V_{CC} , SOURCE, and OUT pins. To reduce the voltage transients, minimize the power trace parasitic inductance by using short, wide traces. A small RC filter (R4 and C1 in Figure 1) at the V_{CC} pin filters high voltage spikes of short pulse width.

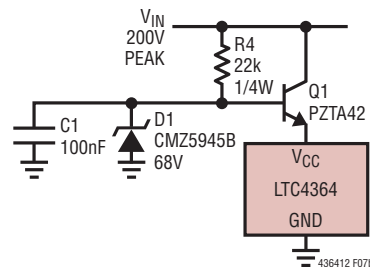
Another way to limit supply transients above 100V at the V_{CC} pin is to use a Zener diode and a resistor, D1 and R4, as shown in Figure 1. D1 clamps voltage spikes at the V_{CC} pin while R4 limits the current through D1 to a safe level during the surge. In the negative direction, D1 along with R4 clamps the V_{CC} pin near GND. The inclusion of R4 in series with the V_{CC} pin increases the minimum required supply voltage due to the extra voltage drop across the resistor, which is determined by the supply current of the LTC4364 and the leakage current of D1. 2.2k adds about 1V to the minimum operating voltage.

For sustained, elevated supply voltages, the power dissipation of R4 in Figure 1 becomes unacceptable. This can be resolved by using an external depletion mode N-channel MOSFET to replace R4 (M1 in Figure 7a) or using an external NPN transistor (Q1 in Figure 7b) as a buffer. To protect Q1 against supply reversal, block the collector of Q1 with a series diode or tie it to the cathode of D3 and D4 in Figure 1.

Transient suppressor D3 in Figure 1 clamps the input voltage to 200V for voltage transients higher than 200V, to prevent breakdown of M1. It also blocks forward conduction in D4. D4 limits the SOURCE pin voltage to 24V below GND when the input goes negative. C_{OUT} helps absorb the inductive energy at the output upon a sudden input short, protecting the OUT and SENSE pins.



(a) Using a Depletion Mode N-Channel MOSFET



(b) Using an NPN Transistor

Figure 7. Extend Surge Protection Range Using an External Transistor Between V_{IN} and V_{CC}

Output Bypassing

The OUT and SENSE pins can withstand up to 100V above and 20V below GND. In all applications the output must be bypassed with at least 22 μ F low ESR electrolytic (C_{OUT} in Figure 1) to stabilize the voltage and current limiting loops, and to minimize capacitive feedthrough of input transients. Total ceramic bypassing of up to one-tenth the total electrolytic capacitance is permissible without compromising performance. In output port protection applications (see Output Port Protection section) where output can go below ground and only ceramic capacitors can be used to bypass the output, a 100m Ω series resistor is recommended as shown in Figure 16 to improve stability in low load conditions.

Output Port Protection

In applications where the output is on a connector, as shown in Figure 16, if the output is plugged into a supply that is higher than the input, the ideal diode MOSFET, M2, turns off to open the backfeeding path. In the case where

APPLICATIONS INFORMATION

the output port is plugged into a supply that is below GND, the SOURCE pin is pulled below GND through the body diode of M2. The LTC4364 responds to this condition by shorting the HGATE pin to the SOURCE pin, turning M1 off and shutting down the current path from V_{IN} to V_{OUT} .

Design Example

As a design example, consider an application with the following specifications: $V_{IN} = 8V$ to $14V$ DC with a peak transient of $200V$ and decay time constant τ of $1ms$, $V_{OUT} \leq 27V$, minimum current limit $I_{LIM(MIN)}$ at $4A$, low-battery detection at $6V$, input overvoltage level at $60V$, and $1ms$ of overvoltage early warning (Figure 1).

Selection of CMZ5945B for D1 will limit the voltage at the V_{CC} pin to less than $71V$ during the $200V$ surge. The minimum required voltage at the V_{CC} pin is $4V$ when V_{IN} is at $6V$; the maximum supply current for LTC4364 is $750\mu A$. The maximum value for R4 to ensure proper operation is:

$$R4 = \frac{6V - 4V}{0.75mA} = 2.7k$$

Select $2.2k$ for R4 to accommodate all conditions.

With the minimum Zener voltage at $64V$, the peak current through R4 into D1 is then calculated as:

$$I_{D1(PK)} = \frac{200V - 64V}{2.2k} = 62mA$$

which can be handled by the CMZ5945B with a peak power rating of $200W$ at $10/1000\mu s$.

With a bypass capacitance of $0.1\mu F$ (C1), along with R4 of $2.2k$, high voltage transients up to $250V$ with a pulse width less than $20\mu s$ are filtered out at the V_{CC} pin.

Next, calculate the resistive divider value to limit V_{OUT} to $27V$ during an overvoltage event:

$$V_{REG} = \frac{1.25V \cdot (R7 + R8)}{R8} = 27V$$

Choosing $250\mu A$ for the resistive divider:

$$R8 = \frac{1.25V}{250\mu A} = 5k$$

Select $4.99k$ for R8.

$$R7 = \frac{(27V - 1.25V) \cdot R8}{1.25V} = 102.8k$$

The closest standard value for R7 is $102k$.

Now, calculate the sense resistor, R_{SNS} , value:

$$R_{SNS} = \frac{\Delta V_{SNS(MIN)}}{I_{LIM}} = \frac{45mV}{4A} = 11m\Omega$$

Choose $10m\Omega$ for R_{SNS} .

C_{TMR} is then chosen for $1ms$ of early warning time:

$$C_{TMR} = \frac{1ms \cdot 5\mu A}{100mV} = 50nF$$

The closest standard value for C_{TMR} is $47nF$.

Finally, calculate R1, R2 and R3 for $6V$ low battery detection and $60V$ input overvoltage level:

$$\frac{6V}{R1 + R2 + R3} = \frac{1.25V}{R2 + R3}$$

$$\frac{60V}{R1 + R2 + R3} = \frac{1.25V}{R3}$$

Simplify the equations and choose $10k$ for R3 to get:

$$R2 = \left(\frac{60V}{6V} - 1 \right) \cdot R3 = 9 \cdot R3 = 90k$$

$$R1 = \left(\frac{6V}{1.25V} - 1 \right) \cdot (R2 + R3) = 3.8 \cdot (R1 + R2) = 380k$$

Select $90.9k\Omega$ for R2 and $383k\Omega$ for R1.

The pass device, M1, should be chosen to withstand an output short condition with $V_{CC} = 14V$. In the case of a severe output short where $V_{OUT} = 0V$, $I_{TMR(UP)} = 55\mu A$ and the total overcurrent fault time is:

$$t_{OC} = \frac{C_{TMR} \cdot V_{TMR(G)}}{I_{TRM(UP)}} = \frac{47nF \cdot 1.35V}{55\mu A} = 1.15ms$$

APPLICATIONS INFORMATION

The maximum power dissipation in M1 is:

$$P = \frac{\Delta V_{DS(M1)} \cdot \Delta V_{SNS(MAX)}}{R_{SNS}} = \frac{14V \cdot 32mV}{10m\Omega} = 45W$$

The corresponding P^2t is $2.3W^2s$.

During an output overload or soft short, the voltage at the OUT pin could stay at 2V or higher. The total overcurrent fault time when $V_{OUT} = 2V$ is:

$$t_{OC} = \frac{47nF \cdot 1.35V}{49\mu A} = 1.3ms$$

The maximum power dissipation in M1 is:

$$P = \frac{(14V - 2V) \cdot 55mV}{10m\Omega} = 66W$$

The corresponding P^2t is $5.7W^2s$. Both of the above conditions are well within the safe operating area of FDB33N25.

To select the pass device, M2, first calculate $R_{DS(ON)}$ to achieve the desired forward drop V_{FW} at maximum load current (5.5A). If $V_{FW} = 0.25V$:

$$R_{DS(ON)} \leq \frac{V_{FW}}{I_{LOAD(MAX)}} = \frac{0.25V}{5.5A} = 45.5m\Omega$$

The FDB3682 offers a maximum $R_{DS(ON)}$ of $36m\Omega$ at $V_{GS} = 10V$ so is a good fit. Its minimum BV_{DSS} of 100V is also sufficient to handle V_{OUT} transients up to 100V during an input short-circuit event.

Layout Considerations

To achieve accurate current sensing, use Kelvin connections to the current sense resistor, R_{SNS} . Limit the resistance from the SOURCE pin to the sources of the MOSFETs to below 10Ω . The minimum trace width for 1oz copper foil is 0.02" per amp to ensure the trace stays at a reasonable temperature. Note that 1oz copper exhibits a sheet resistance of about $530\mu\Omega/square$. Small resistances can cause large errors in high current applications. Noise immunity will be improved significantly by locating resistive dividers close to the pins with short V_{CC} and GND traces.

TYPICAL APPLICATIONS

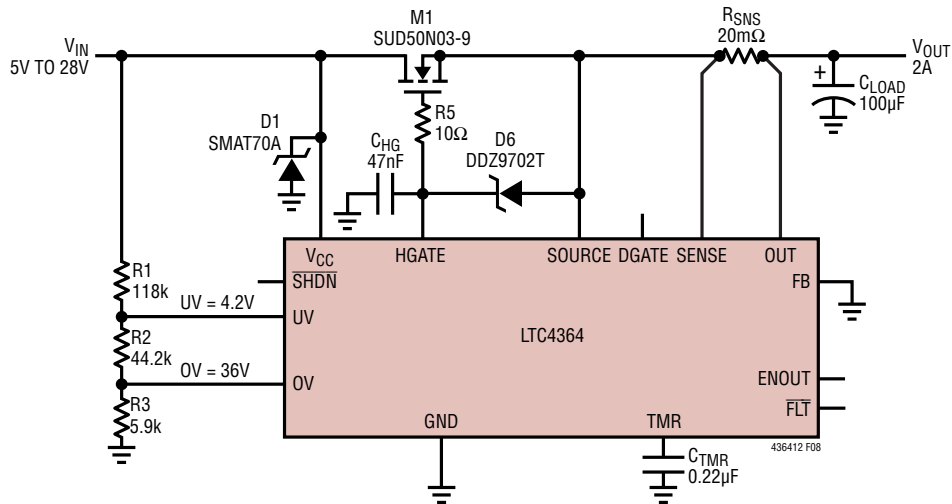


Figure 8. 2A Wide Range Hot Swap Controller with Circuit Breaker

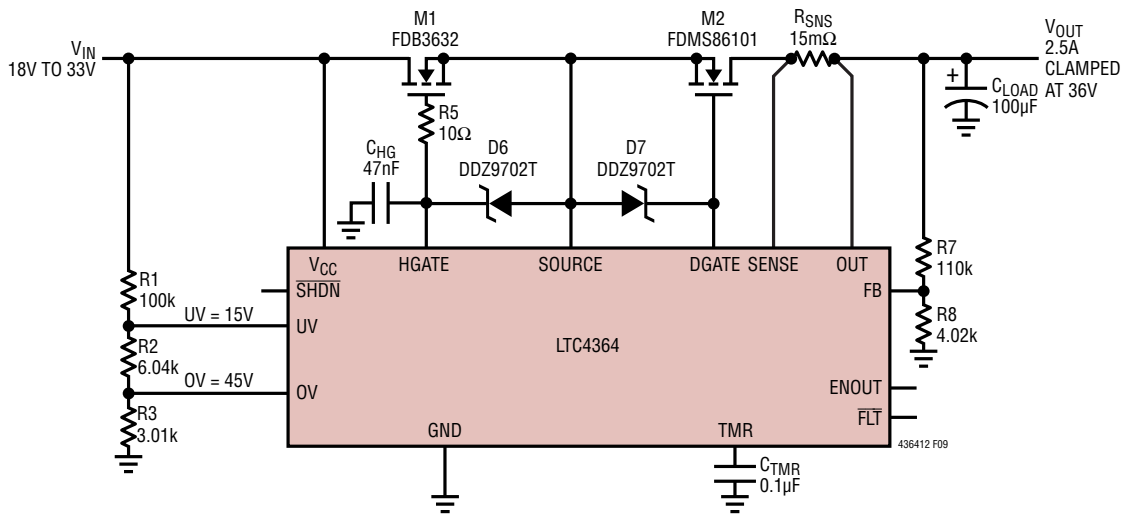


Figure 9. 28V Hot Swap with Overvoltage Output Regulation at 36V, Circuit Breaker, and Reverse Current Protection

TYPICAL APPLICATIONS

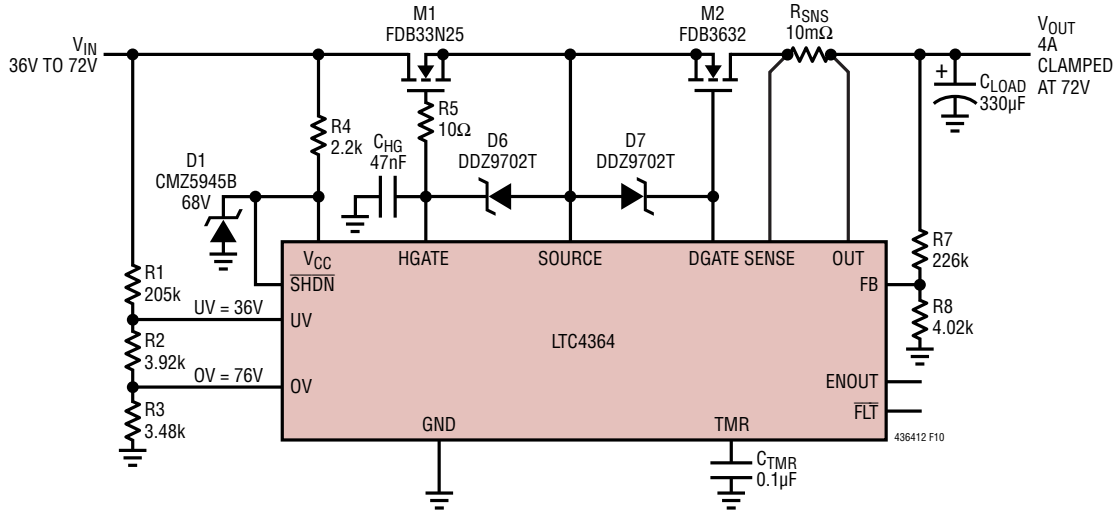


Figure 10. 48V Hot Swap with Overvoltage Output Regulation at 72V, Circuit Breaker, and Reverse Current Protection

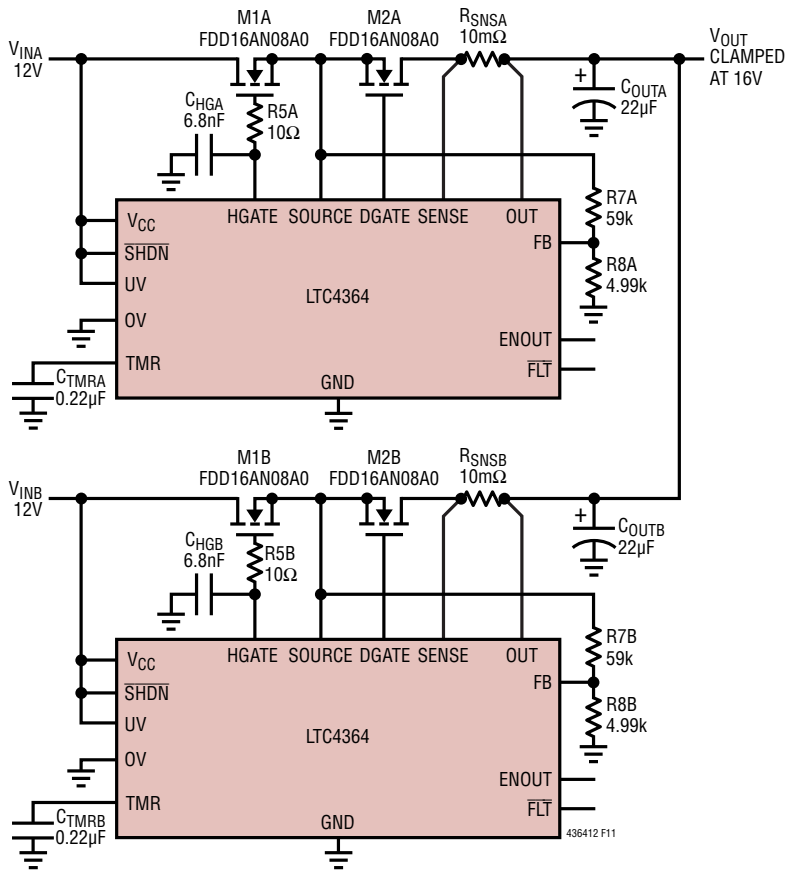


Figure 11. Redundant Supply Diode-OR with Overvoltage Surge Protection

TYPICAL APPLICATIONS

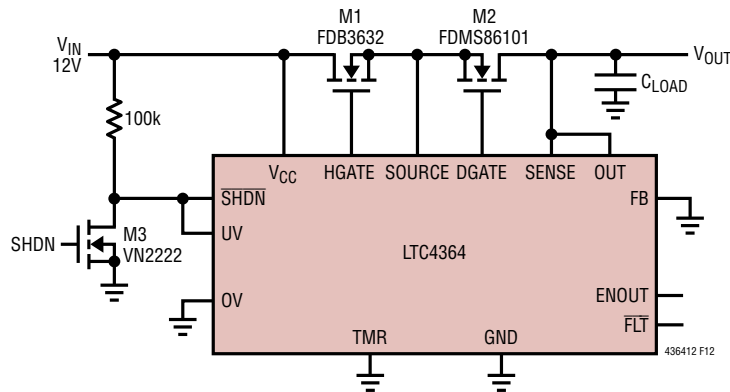


Figure 12. High Side Switch with Ideal Diode for Load Protection

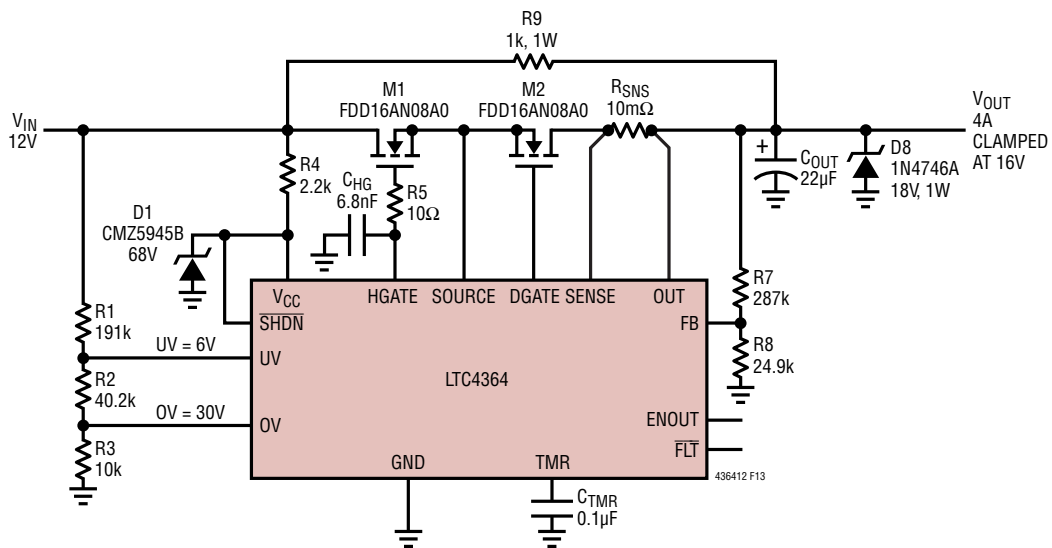


Figure 13. Overvoltage Regulator with Output Keep Alive During Shutdown

TYPICAL APPLICATIONS

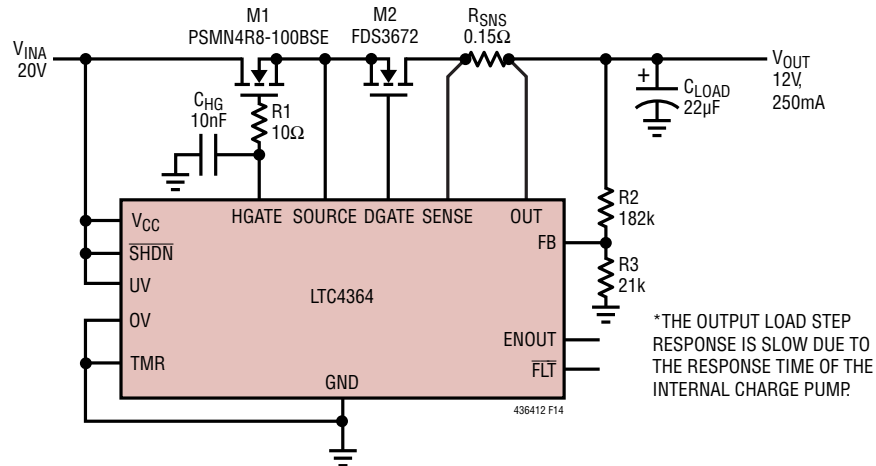


Figure 14. 250mA High Voltage Low Dropout Linear Regulator with Current Limit and Reverse Current Protection

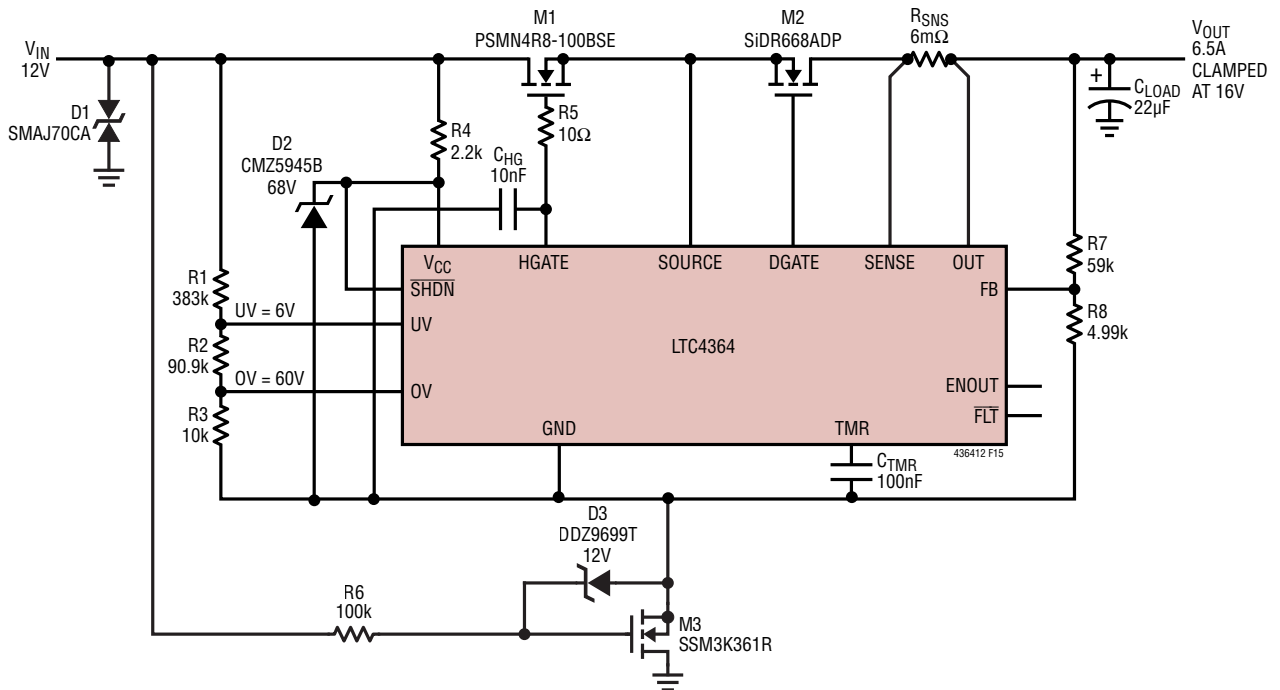
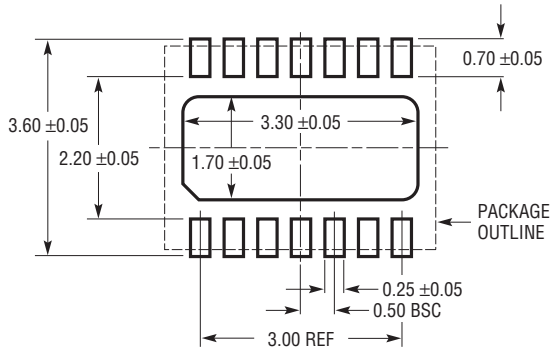


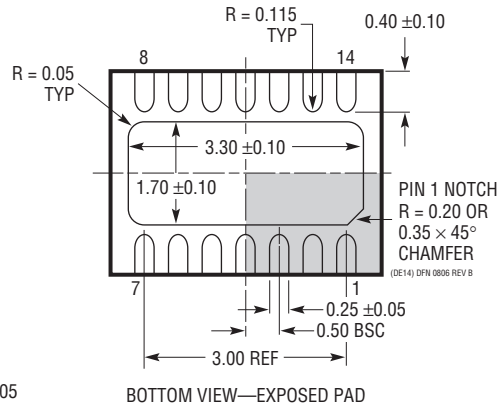
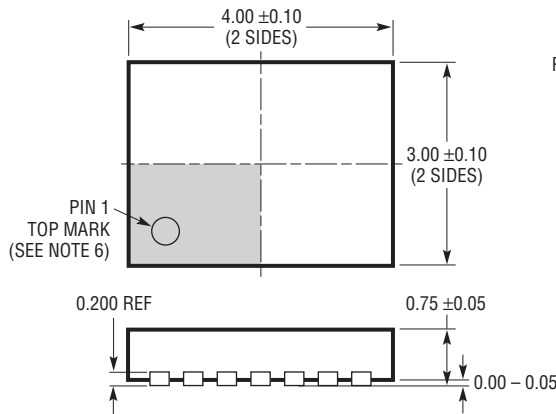
Figure 15. Overvoltage Regulator with Reverse Input Protection Up to -70V

PACKAGE DESCRIPTION

DE Package
14-Lead Plastic DFN (4mm × 3mm)
 (Reference LTC DWG # 05-08-1708 Rev B)



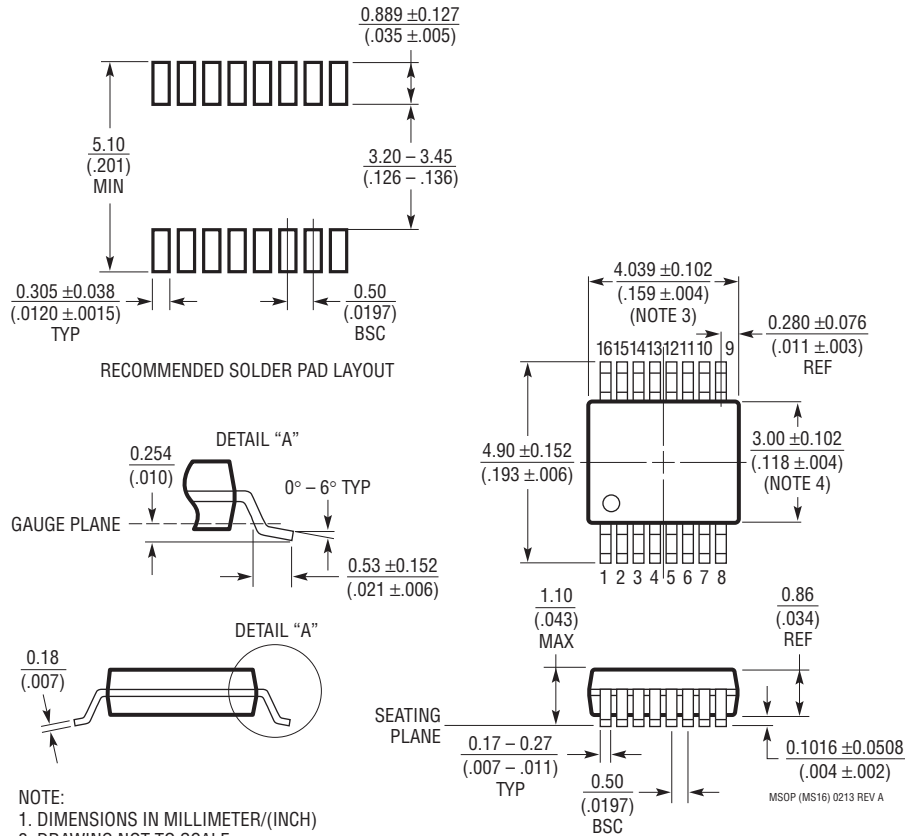
RECOMMENDED SOLDER PAD PITCH AND DIMENSIONS
 APPLY SOLDER MASK TO AREAS THAT ARE NOT SOLDERED



- NOTE:
1. DRAWING PROPOSED TO BE MADE VARIATION OF VERSION (WGED-3) IN JEDEC PACKAGE OUTLINE MO-229
 2. DRAWING NOT TO SCALE
 3. ALL DIMENSIONS ARE IN MILLIMETERS
 4. DIMENSIONS OF EXPOSED PAD ON BOTTOM OF PACKAGE DO NOT INCLUDE MOLD FLASH. MOLD FLASH, IF PRESENT, SHALL NOT EXCEED 0.15mm ON ANY SIDE
 5. EXPOSED PAD SHALL BE SOLDER PLATED
 6. SHADED AREA IS ONLY A REFERENCE FOR PIN 1 LOCATION ON THE TOP AND BOTTOM OF PACKAGE

PACKAGE DESCRIPTION

MS Package
16-Lead Plastic MSOP
 (Reference LTC DWG # 05-08-1669 Rev A)

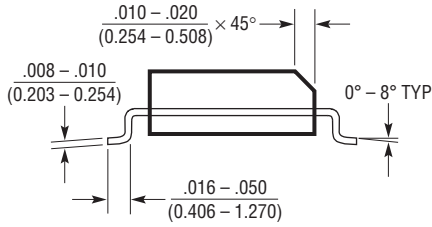
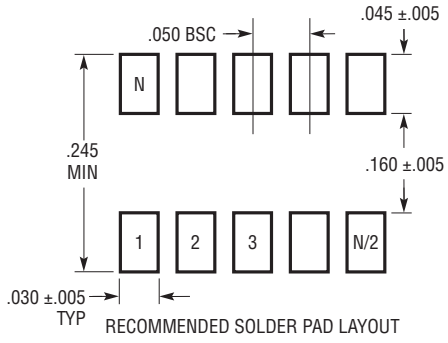


NOTE:

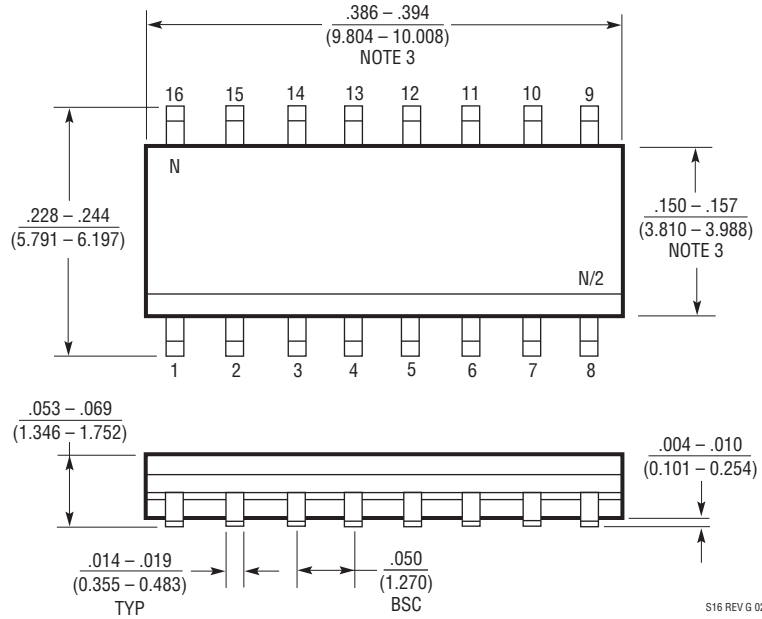
1. DIMENSIONS IN MILLIMETER/(INCH)
2. DRAWING NOT TO SCALE
3. DIMENSION DOES NOT INCLUDE MOLD FLASH, PROTRUSIONS OR GATE BURRS.
MOLD FLASH, PROTRUSIONS OR GATE BURRS SHALL NOT EXCEED 0.152mm (.006") PER SIDE
4. DIMENSION DOES NOT INCLUDE INTERLEAD FLASH OR PROTRUSIONS.
INTERLEAD FLASH OR PROTRUSIONS SHALL NOT EXCEED 0.152mm (.006") PER SIDE
5. LEAD COPLANARITY (BOTTOM OF LEADS AFTER FORMING) SHALL BE 0.102mm (.004") MAX

PACKAGE DESCRIPTION

S Package
16-Lead Plastic Small Outline (Narrow .150 Inch)
 (Reference LTC DWG # 05-08-1610 Rev G)



- NOTE:
 1. DIMENSIONS IN INCHES (MILLIMETERS)
 2. DRAWING NOT TO SCALE
 3. THESE DIMENSIONS DO NOT INCLUDE MOLD FLASH OR PROTRUSIONS.
 MOLD FLASH OR PROTRUSIONS SHALL NOT EXCEED .006" (0.15mm)
 4. PIN 1 CAN BE BEVEL EDGE OR A DIMPLE



S16 REV G 0212

REVISION HISTORY

| REV | DATE | DESCRIPTION | PAGE NUMBER |
|-----|-------|--|--------------------------------------|
| A | 02/22 | Added MS package AEC-Q100 qualification and “W” part number, added two new Typical Application circuits with minor edits. Reorganized Pin Functions alphanumerically and added pin numbers. | 1–4, 7–14, 16, 17, 19, 24 7, 8 |
| B | 1/23 | Updated Order Information | 3 |

TYPICAL APPLICATION

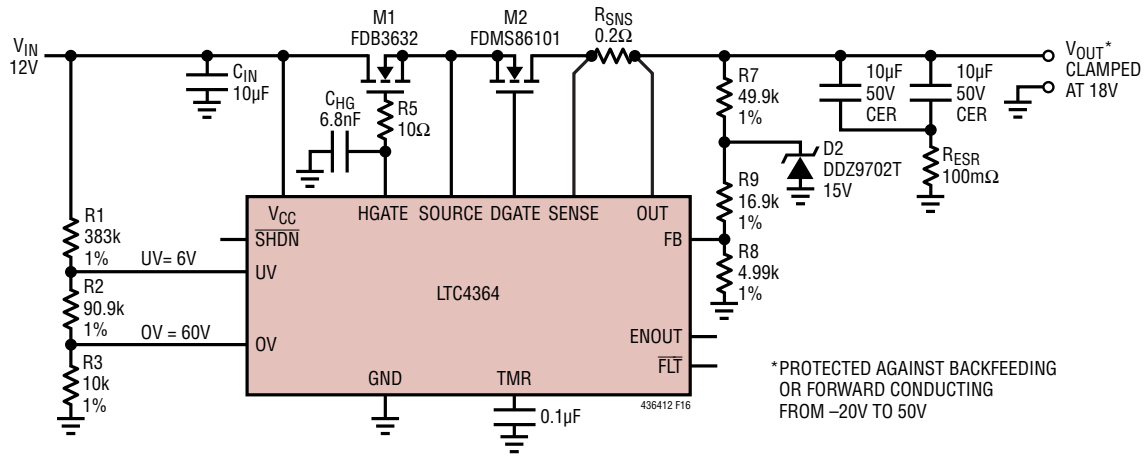


Figure 16. 0.25A, 12V Surge Stopper with Output Port Protection

RELATED PARTS

| PART NUMBER | DESCRIPTION | COMMENTS |
|---|---|---|
| LT[®]4356-1/ LT4356-2 LT4356-3 | Surge Stopper | LT4356-1: 7A Shutdown Mode LT4356-2: Auxiliary Amplifier Alive in Shutdown Mode LT4356-3: Fault Latchoff |
| LTC4363 | High Voltage Surge Stopper | 4V to 80V, V _{CC} Clamp, Adjustable Output Voltage Clamp, 60V Reverse Input Protection, Overcurrent Protection |
| LTC4366 | Floating Surge Stopper | 9V to >500V Operation, Adjustable Output Voltage Clamp |
| LTC4357 | Positive High Voltage Ideal Diode Controller | 0.5µs Turn-Off Time, 9V to 80V |
| LTC4359 | Ideal Diode Controller with Reverse Input Protection | 4V to 80V Operation, -40V Reverse-Input Protection, Low 13µA Shutdown Current |
| LTC4352 | Ideal MOSFET ORing Diode | External N-Channel MOSFETs Replace ORing Diodes, 0V to 18V |
| LTC4354 | Negative Voltage Diode-OR Controller | Controls Two N-Channel MOSFETs, 1µs Turn-Off, 80V Operation |
| LTC4355 | Positive Voltage Diode-OR Controller | Controls Two N-Channel MOSFETs, 0.5µs Turn-Off, 80V Operation |
| LTC4365 | Window Passer – OV, UV and Reverse Supply Protection Controller | 2.5V to 34V Operation, Protects 60V to -40V |

Looking for pricing, stock, or lifecycle information?

Click below to explore more details on WIN SOURCE:

- ⊖ [View LTC4364HMS-2#TRPBF on WIN SOURCE](#)
- ⊖ [Analog Devices Inc. Information](#)

Optimize Your Supply Chain with WIN SOURCE Solutions

- ✓ Global Sourcing Solution
- ✓ Obsolete Management
- ✓ Cost Control Management
- ✓ Shortage Management
- ✓ Alternative Solution
- ✓ Excess Inventory Management