

ULTRA MINIATURE SMD VC/TCXO



2.0 x 1.6 x 0.8mm

ASVTX-13/ASTX-13

FEATURES:

- Industry smallest 2.0 x 1.6 x 0.8mm
- Low current consumption 1.5mA at 26MHz
- Vc function ideal for PLL application
- Suitable for RoHS complaint reflow

APPLICATIONS:

- Cellular and cordless phones
- Standard reference oscillator for test equipment
- Mobile communication equipment
- Portable radio equipment and music player
- Phase Locked Loop



Moisture Sensitivity Level (MSL) -1

STANDARD SPECIFICATIONS:

Parameters	Minimum	Typical	Maximum	Units	Notes
Frequency Range	10	-----	52	MHz	
Standard Frequencies	10, 16.368, 19.2, 26, 38.4, 52			MHz	16.368MHz VCTCXO is available upon request. Please contact Abracon for details.
Operating Temperature	-30	-----	+75	°C	
Storage Temperature	-40	-----	+85	°C	
Frequency Stability $\Delta f/f_0$ vs					+25°C, Vcon=1.4V After 2- reflow
Tolerance (@+25°C)	-2.0	-----	+2.0	ppm	See option (Table 1)
Temperature (ref. to +25°C)	-1.5	-----	+1.5		
Supply Voltage Change (Vdd±5%)	-0.2	-----	+0.2		
Load Change (ZL±10%)	-0.2	-----	+0.2		
Supply Voltage (Vdd)	+2.85	+3.0	+3.15	V	Option A
	+2.66	+2.7	+2.94		Option B
	+1.71	+1.8	+1.89		Option C
	+3.135	+3.2	+3.465		Option D
Aging (first year @+25±2°C)	-1.0	-----	+1.0	ppm	
Supply Current (Icc)	-----	-----	1.5	mA	16.368MHz, -30 to +85°C
	-----	-----	1.5		19.200MHz, -30 to +85°C
	-----	-----	1.5		26.000MHz, -30 to +85°C
	-----	-----	2.0		38.400MHz, -30 to +85°C
Startup Time	-----	-----	3.0	ms	90% Vp-p ±0.5ppm
Voltage Control Function (for ASVTX-13) Control Voltage (Vcon)	Vdd=3.3V	+0.5	+1.5	Vdc	19.200MHz 26.000MHz 38.400MHz
	Vdd=3.0V	+0.5	+1.5		
	Vdd=2.8V	+0.4	+1.4		
	Vdd=1.8V	+0.3	+0.9		

ULTRA MINIATURE SMD VC/TCXO

ASVTX-13/ASTX-13

Moisture Sensitivity Level (MSL) -1



ESD Sensitive



RoHS Compliant



2.0 x 1.6 x 0.8mm

Parameters	Minimum	Typical	Maximum	Units	Notes
Frequency Tuning Range @Vcon (min)	-5.5		-9.5	ppm	
@Vcon (max)	+5.5		+9.5		
Frequency Tuning Transition	Positive				
Output Voltage	0.8	-----	-----	Vp-p	
Harmonics	-----	-----	-5.0	dBc	
Load	10kΩ//10pF				
Waveform	Clipped Sine Wave				
Phase Noise					
10Hz offset from the carrier	-----	-----	-80	dBc/Hz	Applicable to all standard available frequencies with Vdd = +1.8V, +2.8 & +3.0V, +3.3V
100Hz offset from the carrier	-----	-----	-105		
1kHz offset from the carrier	-----	-----	-130		
10kHz offset from the carrier	-----	-----	-144		
100kHz offset from the carrier	-----	-----	-144		

OPTIONS & PART IDENTIFICATION:

ASVTX-13 or ASTX-13 - [] - [] MHz - [] - []

Vdd (V)
A: 3.0V±5%
B: 2.8V±5%
C: 1.8V±5%
D: 3.3V±5%

Frequency in MHz
Please specify the frequency in MHz. e.g. 19.200MHz 26.000MHz

Packaging
Blank: Bulk
T: 1000pcs/reel
T3: 3000pcs/reel
T4: 4000pcs/reel (STD)

Table 1: Frequency Stability vs Operating Temperature

	±0.5ppm	±1.0ppm	±1.5ppm	±2.0ppm
-10°C ~ +75°C	A05	A10	A15	A20
-30°C ~ +75°C	B05	B10	Std.(Blank)	B20
-30°C ~ +80°C	C05	C10	C15	C20
-30°C ~ +85°C	D05	D10	D15	D20
-40°C ~ +85°C	I05	I10	I15	I20

ULTRA MINIATURE SMD VC/TCXO

ASVTX-13/ASTX-13

Moisture Sensitivity Level (MSL) -1



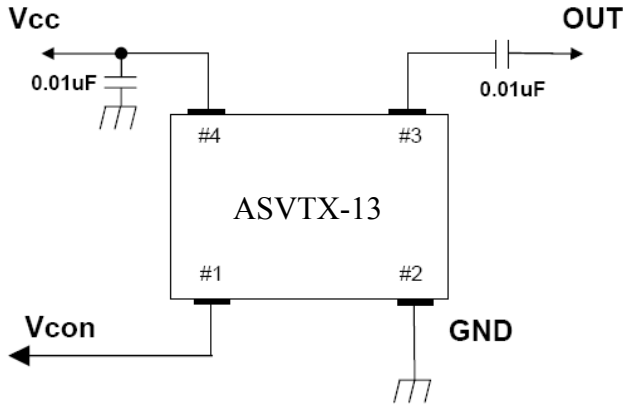
ESD Sensitive

RoHS Compliant

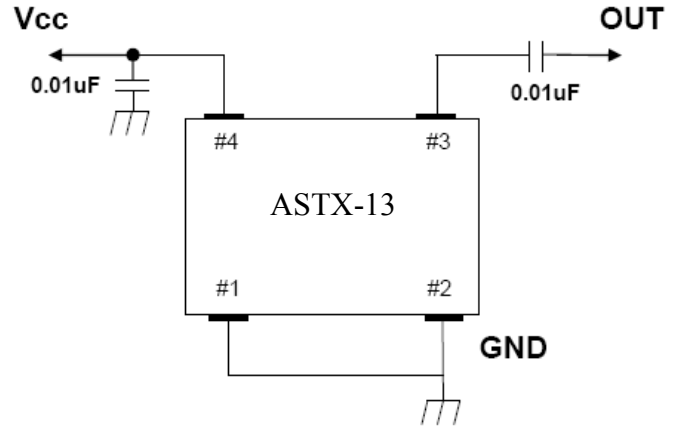


2.0 x 1.6 x 0.8mm

RECOMMENDED TEST CIRCUIT

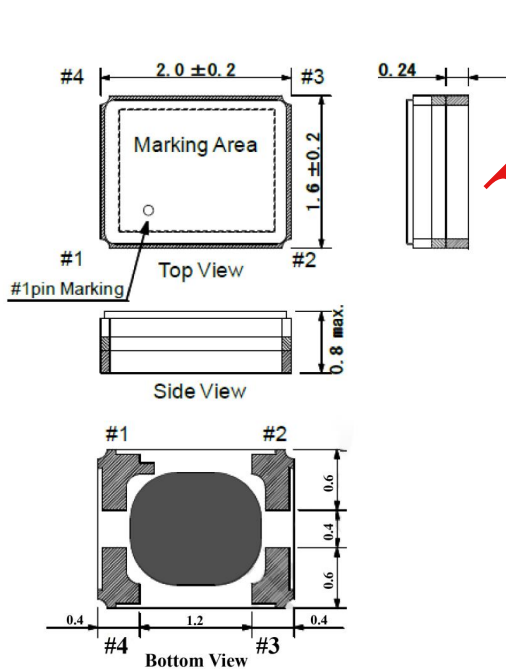


VCTCXO

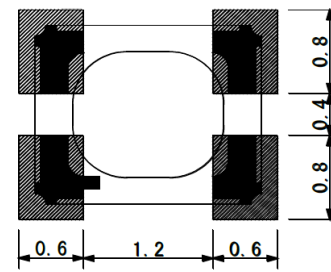


TCXO

MECHANICAL DIMENSIONS:



Recommended Land Pattern



ASVTX-13 VCTCXO

	Pin Connection
# 1 pin	Vcon
# 2 pin	GND
# 3 pin	Output
# 4 pin	Vcc

ASTX-13 TCXO

	Pin Connection
# 1 pin	GND
# 2 pin	GND
# 3 pin	Output
# 4 pin	+Vcc

- Note 1:**
Terminal Coplanarity: 80µm max.
- Note 2:**
Electrode: Cu + Ni + Au
(10µ min. + 3µ min. + 0.03µ min.)

Note: It is recommended that a by-pass capacitor of 0.01uF value be placed between pin #2 and pin #4 and an AC-coupling capacitor of the same value be placed in series with pin#3 for optimal performance. For ASTX (TCXO), please connect pin #1 and #2 to GND.

Dimensions: inches (mm)

ULTRA MINIATURE SMD VC/TCXO

ASVTX-13/ASTX-13

Moisture Sensitivity Level (MSL) -1

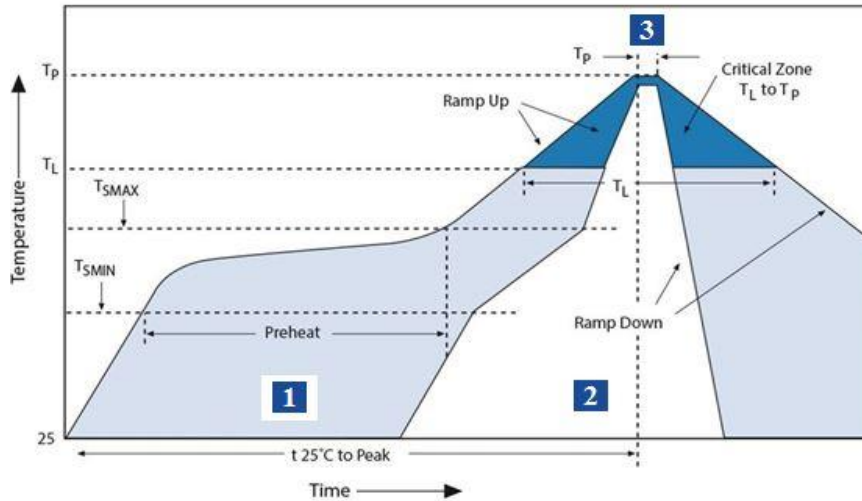


ESD Sensitive
RoHS Compliant



2.0 x 1.6 x 0.8mm

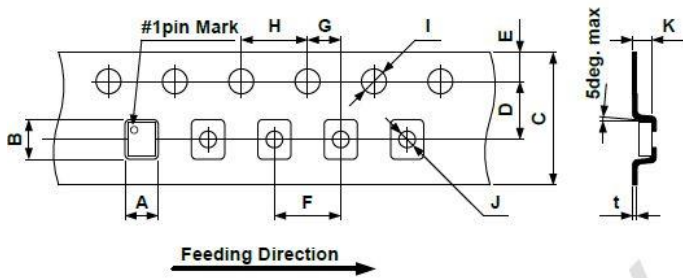
REFLOW PROFILE:



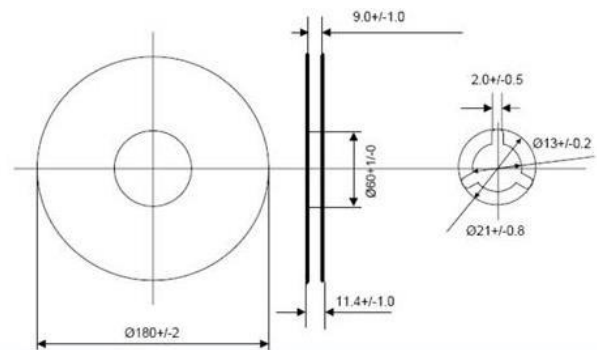
Zone	Description	Temperature	Times
1	Preheat	TSMIN ~ TSMAX 180°C ± 1	120 sec. MAX
2	Reflow	TL 220°C	40 sec. MAX
3	Peak heat	Tp 260°C	10 sec. MAX

REFLOW PROFILE:

T: 1000pcs/reel
T3: 3000pcs/reel
T4: 4000pcs/reel (STD)



A	B	C	D	E
2.0±/0.05	2.4±/0.05	8.0±/0.2	3.5±/0.05	1.75±/0.1
F	G	H	I	J
4.0±/0.1	2.0±/0.05	4.0±/0.1	φ1.5+0.1/-0	φ1.0+0.1/-0
K	t			
0.9±/0.05	0.25±/0.05			



Dimensions: mm

ATTENTION: Abracon LLC products are COTS – Commercial-Off-The-Shelf products; suitable for Commercial, Industrial and, where designated, Automotive Applications. Abracon's products are not specifically designed for Military, Aviation, Aerospace, Life-dependant Medical applications or any application requiring high reliability where component failure could result in loss of life and/or property. For applications requiring high reliability and/or presenting an extreme operating environment, written consent and authorization from Abracon LLC is required. Please contact Abracon LLC for more information.

Looking for pricing, stock, or lifecycle information?

Click below to explore more details on WIN SOURCE:

- ⊖ [View ASVTX-13-C-38.400MHZ-I05-T on WIN SOURCE](#)
- ⊖ [Abracon LLC Information](#)

Optimize Your Supply Chain with WIN SOURCE Solutions

- ✓ Global Sourcing Solution
- ✓ Obsolete Management
- ✓ Cost Control Management
- ✓ Shortage Management
- ✓ Alternative Solution
- ✓ Excess Inventory Management