



THE DATASHEET OF EC5SAW-48D12N





EC5SAW SERIES

10 WATT WIDE INPUT DC-DC CONVERTERS



FEATURE

- * 4:1 Input Range
- * Regulated Outputs
- * 3000VDC/2000VAC Isolation
- * Efficiency Up to 89.5%
- * Compact SIP8 Package
- * Remote On/Off Control
- * 6.6-10W Isolated Output
- * Fixed Switching Frequency
- * No Tantalum Capacitor Inside
- * Input Under-Voltage Protection
- * Low No Load Power Consumption
- * Continuous Short Circuit Protection



MODEL NUMBER	INPUT VOLTAGE(4)	OUTPUT VOLTAGE	OUTPUT CURRENT		INPUT CURRENT		%EFF.		CAPACITOR LOAD MAX.
			MIN.	MAX.	NO LOAD	FULL LOAD	(3)	(2)	
EC5SAW-24S33N	9-36 VDC	3.3 VDC	0 mA	2000 mA	6 mA	336 mA	81	81.5	2000uF
EC5SAW-24S05N	9-36 VDC	5 VDC	0 mA	2000 mA	6 mA	490 mA	83.5	85	2000uF
EC5SAW-24S12N	9-36 VDC	12 VDC	0 mA	833 mA	6 mA	473 mA	87	89	833uF
EC5SAW-24S15N	9-36 VDC	15 VDC	0 mA	666 mA	6 mA	468 mA	88.5	89.5	666uF
EC5SAW-24D05N	9-36 VDC	±5 VDC	0 mA	±1000 mA	6 mA	490 mA	84	85	1000uF
EC5SAW-24D12N	9-36 VDC	±12 VDC	0 mA	±417 mA	7 mA	468 mA	88.5	89	417uF
EC5SAW-24D15N	9-36 VDC	±15 VDC	0 mA	±333 mA	7 mA	468 mA	88.5	89	333uF
EC5SAW-48S33N	18-75 VDC	3.3 VDC	0 mA	2000 mA	6 mA	168 mA	81	81	2000uF
EC5SAW-48S05N	18-75 VDC	5 VDC	0 mA	2000 mA	6 mA	245 mA	84	85	2000uF
EC5SAW-48S12N	18-75 VDC	12 VDC	0 mA	833 mA	6 mA	237 mA	87.5	88	833uF
EC5SAW-48S15N	18-75 VDC	15 VDC	0 mA	666 mA	6 mA	234 mA	87.5	88	666uF
EC5SAW-48D05N	18-75 VDC	±5 VDC	0 mA	±1000 mA	6 mA	245 mA	84	85	1000uF
EC5SAW-48D12N	18-75 VDC	±12 VDC	0 mA	±417 mA	6 mA	234 mA	88	88	417uF
EC5SAW-48D15N	18-75 VDC	±15 VDC	0 mA	±333 mA	6 mA	234 mA	87.5	88	333uF

NOTE:

1. Nominal Input Voltage 24 or 48 VDC
2. Measured at Nominal Input Voltage
3. Measured at 12VDC for 24Vin, 24VDC for 48Vin
4. For 3.3Vo, 5Vo & ±5Vo has Derating by Input is Required Show Fig.1

SPECIFICATIONS

All Specifications Typical At Nominal Line, Full Load, and 25°C Unless Otherwise Noted

INPUT SPECIFICATIONS:

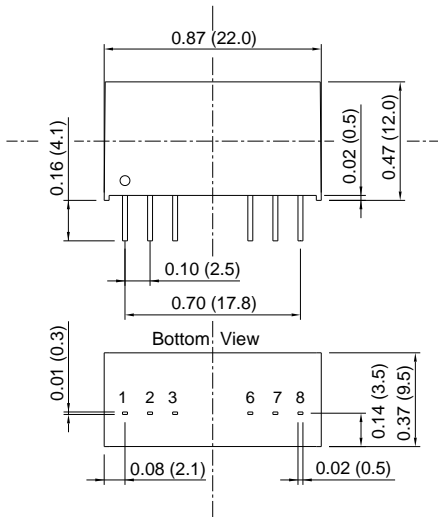
Input Voltage Range	24V	9-36V
	48V	18-75V
Input Surge Voltage (100 ms max.)	24V	50VDC max.
	48V	100VDC max.
Input Filter	Capacitive	
Remote On/Off Control:		
Module On	Open or High Impedance	
Module Off	2mA to 4mA	
Module Off (Input Idle Current)	2.5mA max.	

OUTPUT SPECIFICATIONS:

Voltage Accuracy	±1.0% max.
Voltage Balance (Dual)	±1.0% max
Transient Response: 75%~100% Step Load Change	
Error Band	±5% Vout Nominal, Recovery Time < 250µs
Ripple & Noise, 20MHz BW (Note 5)	3.3V & 5V & ±5V ... 100mV pk-pk max.
	12V/15V/±12V/±15V..... 1%Vo max.
Temperature Coefficient	±0.02%/°C max.
Short Circuit Protection	Continuous
Line Regulation (note1)	±0.2% max.
Load Regulation (note2)	±1.0% max.
Cross Regulation (Dual note3)	Asymmetrical Load 25%/100% .. ±5.0% max.
Current Limit	180% typ.
Start up time	5ms typ.

CASE SA DIMENSIONS:

All Dimensions In Inches (mm)
 Tolerances : Inches Millimeters
 X.XX=±0.02 X.X=±0.5
 Pin ±0.002 ±0.05



PIN CONNECTION		
Pin	Single	Dual
1	-V Input	-V Input
2	+V Input	+V Input
3	On/Off	On/Off
6	+V Output	+V Output
7	-V Output	Common
8	NC	-V Output

GENERAL SPECIFICATIONS:

Efficiency	See Table	
Isolation Voltage	Input/Output	3000VDC min.
	Input/Output	2000VAC min.
Isolation Resistance	10 ⁹ ohm min.	
Isolation Capacitance	50pF max.	
Switching Frequency	530KHz typ.	
Operating Ambient Temperature	-40°C to +85°C	
De-rating, Above 50°C	Linearly to Zero power at 105°C	
Case Temperature (note4)	105°C max.	

Cooling	Natural Convection
Storage Temperature	-55°C to +125°C
Humidity	95% RH max. Non condensing
MTBF	MIL-HDBK-217F, GB, 25°C, Full Load 1930Khrs typ.
Dimensions	0.87x0.37x0.47 inches (22.0x9.5x12.0mm)
Case Material	Non-Conductive Black Plastic
Weight	4.9g

NOTE:

1. Measured from high line to low line.
2. Measured from full load to no load.
3. For asymmetric loading, both channels must be at 25% load or more.
4. Maximum case temperature under any operating condition should not be exceeded 105°C.
5. Output ripple and noise measured with 1µF ceramic capacitor

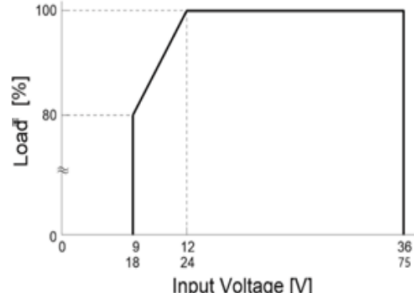


Fig1. Input Voltage Derating Curve
 Typical Derating curve for Natural Convection

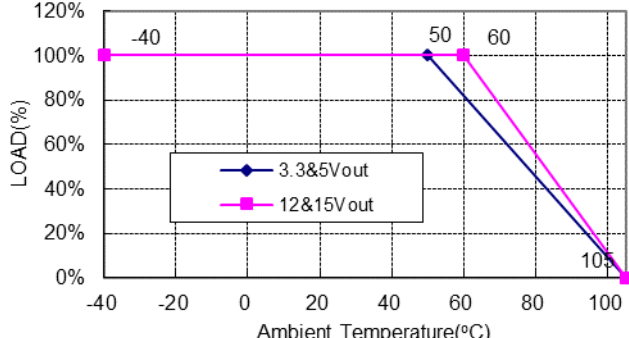





Fig2. Typical Derating Curve for Naturel Convection

Looking for pricing, stock, or lifecycle information?

Click below to explore more details on WIN SOURCE:

-  [View EC5SAW-48D12N on WIN SOURCE](#)
-  [Cincon Electronics Co. LTD Information](#)

Optimize Your Supply Chain with WIN SOURCE Solutions

-  Global Sourcing Solution
-  Obsolete Management
-  Cost Control Management
-  Shortage Management
-  Alternative Solution
-  Excess Inventory Management