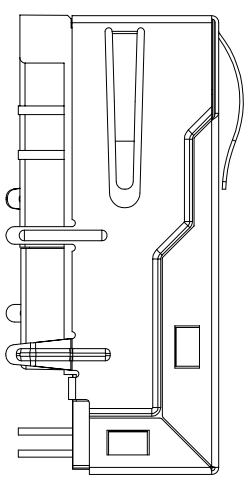
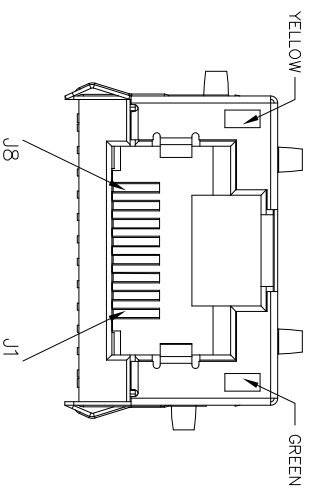


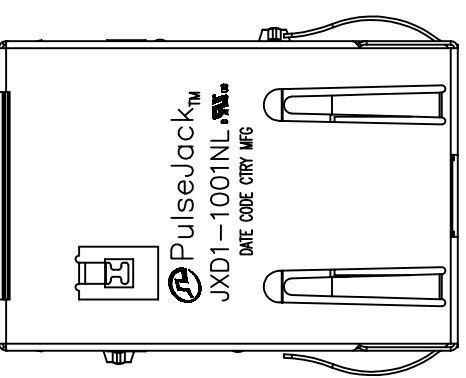
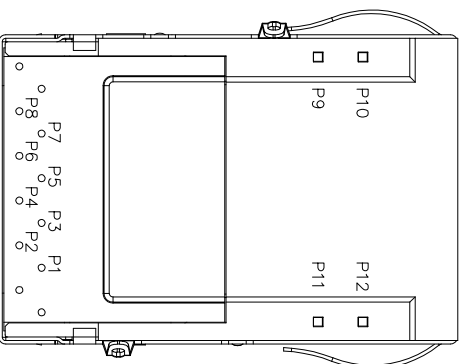


**THE DATASHEET OF
JXD1-1001NL**





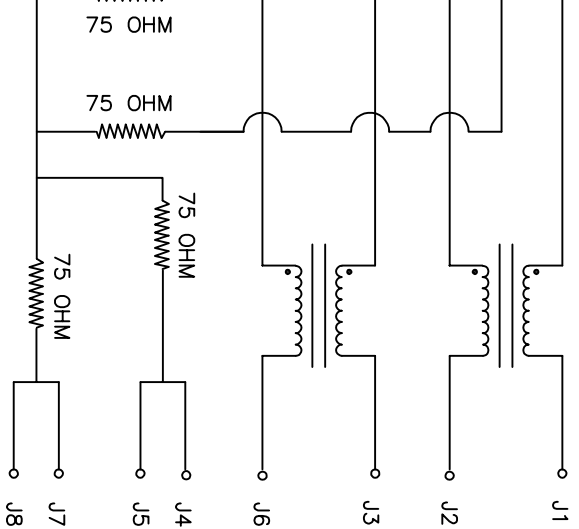
0.031-INCHES MIN IN CONTACT AREA
 NOTED SEE ELECTRICAL DRAWING
 REGULATION PART 68.
 SOLDERING PROCESS PEAK SOLDERING



FINAL OUTLINE

All rights reserved. Pulse confidential & proprietary. (10/20/15)

TLA DRAWING	PS DRAWING	SHEET	PART NO.	DATASHEET REV.
XD1-1001NL-X1	PS-XXXX	1 OF 5	JXD1-1001NL	A



Electronical Specifications:

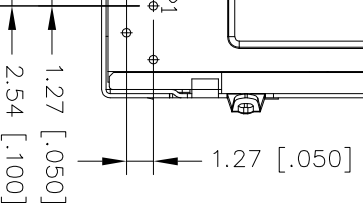
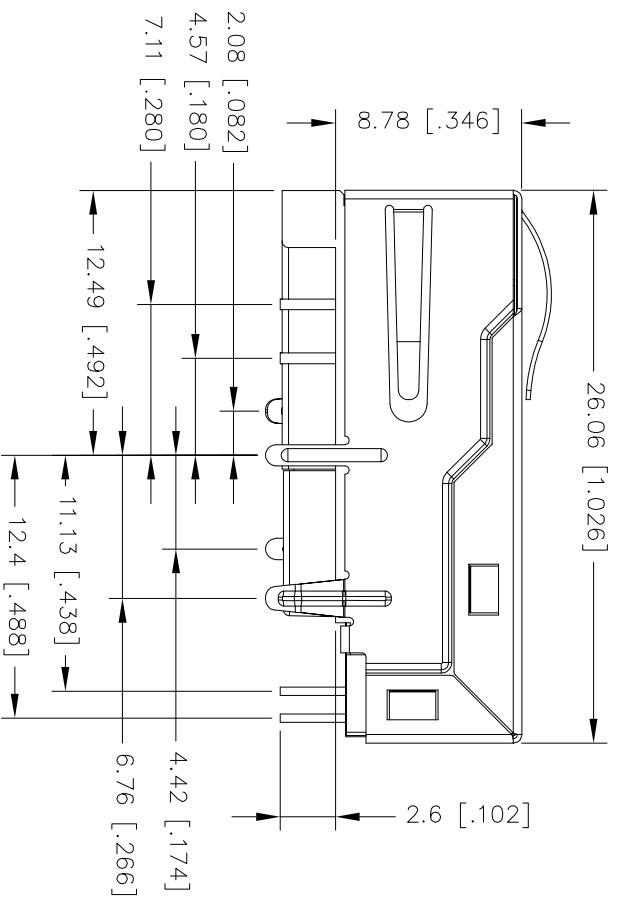
- 1.0 Turn Ratio @100KHz:
(P1~P3):(J1~J2) = 1:1±5%
(P4~P6):(J3~J6) = 1:1±5%
- 2.0 Primary Inductance:
350uH MIN @100KHZ,0.1V 8mA DC BIAS
- 3.0 DC Resistance:
(J1~J2):(J3~J6) 1.2 OHMS MAX
- 4.0 Insertion Loss:
1-100MHz -1.2dB MAX
- 5.0 Return Loss:
1-30MHz -16dB MIN
30-60MHz -12dB MIN
60-80MHz -10dB MIN
- 6.0 CROSS TALK:
1-100MHz -30dB MIN
- 7.0 COMMON TO COMMON MODE ATTENUATION:
1-100MHz -30dB MIN
- 8.0 Isolation: PHY Side to Line Side:
2250VDC

LED SPECIFICATION:

LED SPECIFICATION			
STANDARD LED	WAVELENGTH	Forward V(max)	TYP
GREEN	565nm	2.4V	2.2V
YELLOW	590nm	2.5V	2.1V

All rights reserved. Pulse confidential & proprietary. (10/20/15)

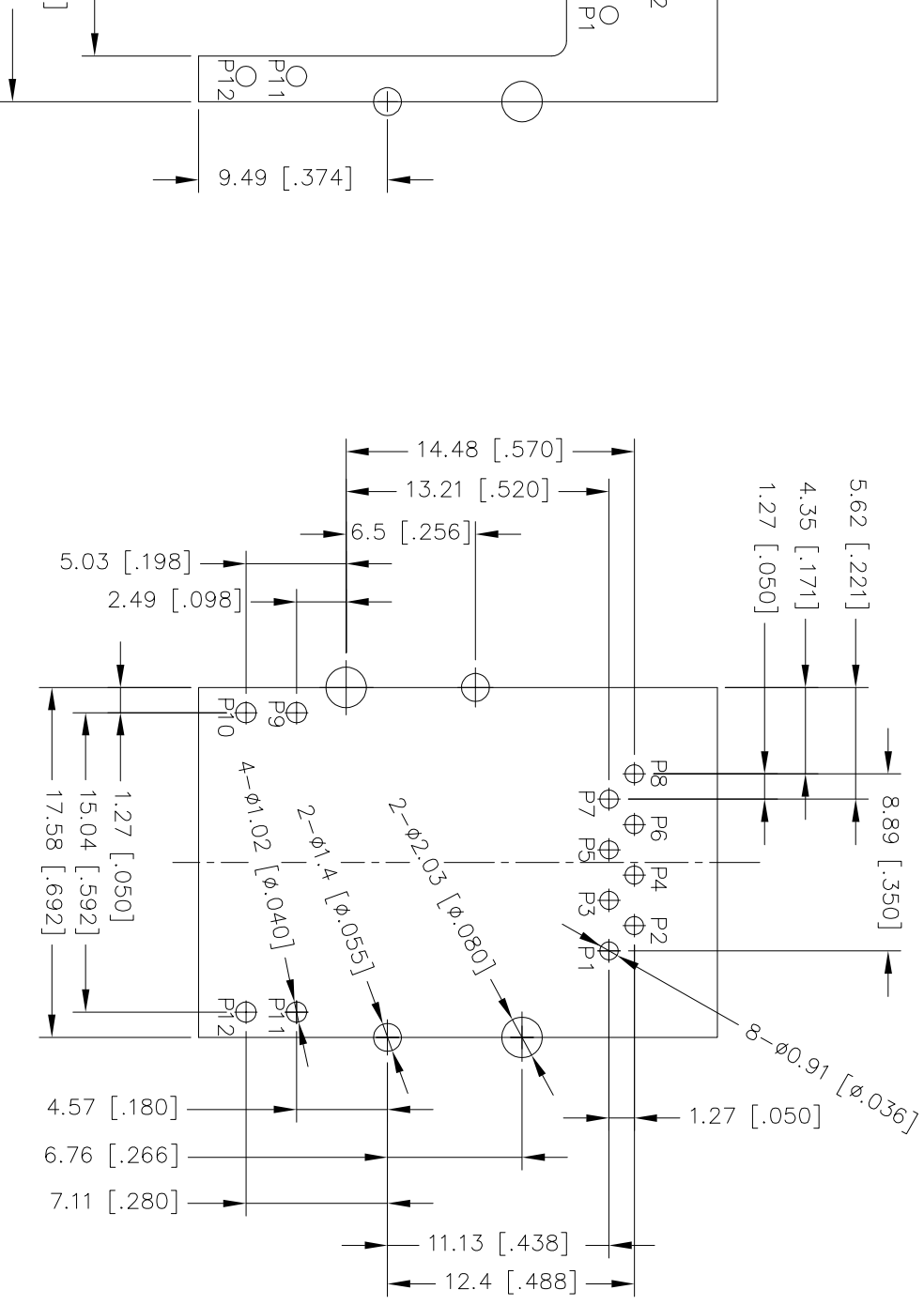
TLA DRAWING	PS DRAWING	SHEET	PART NO.	DATASHEET REV.
XD1-1001NL-X1	PS-XXXX	2 OF 5	JXD1-1001NL	A



DIMENSIONS ARE IN MILLIMETERS [INCHES] WITH THE FOLLOWING
TOLERANCES: [INCHES] ARE FOR REFERENCE ONLY.
X.XX = ±0.25 [±.010]

All rights reserved. Pulse confidential & proprietary. (10/20/15)

TLA DRAWING	PS DRAWING	SHEET	PART NO.	DATASHEET REV.
XD1-1001NL-X1	PS-XXXX	3 OF 5	JXD1-1001NL	A



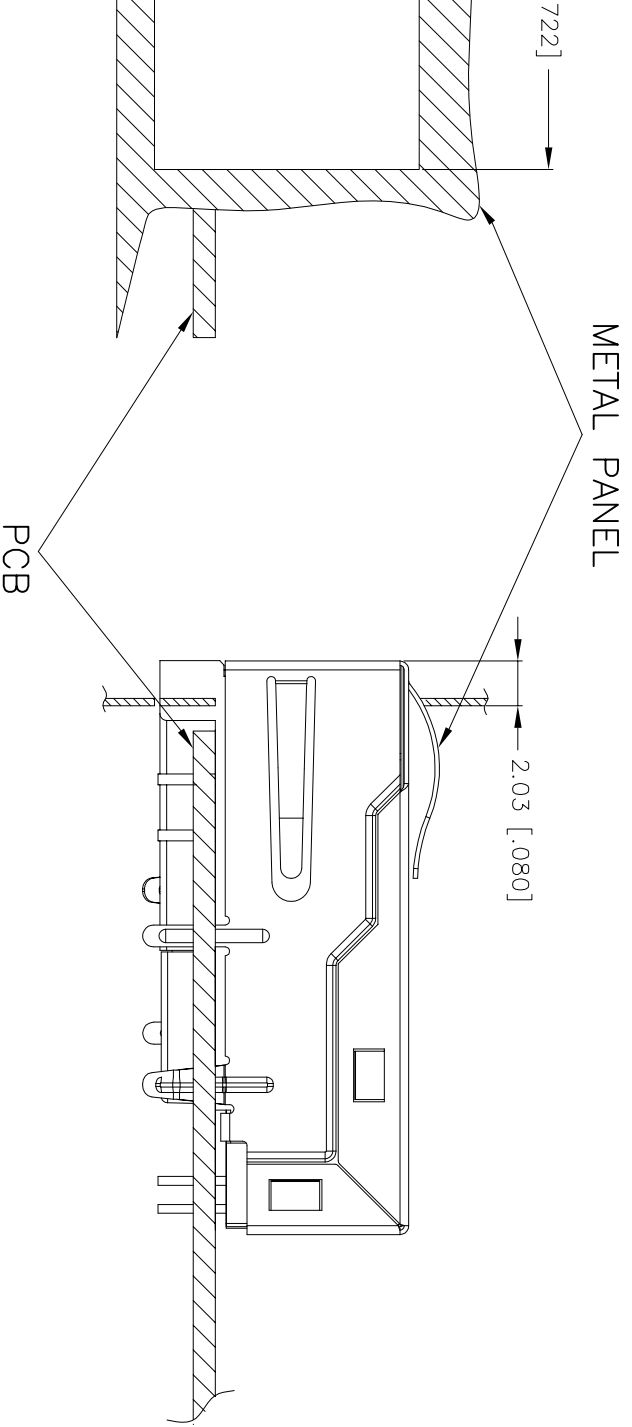
RECOMMENDED PCB LAYOUT
(COMPONENT SIDE VIEW)

WITH THE FOLLOWING
NCE ONLY.

All rights reserved. Pulse confidential & proprietary. (10/20/15)

TLA DRAWING	PS DRAWING	SHEET	PART NO.	DATASHEET REV.
XD1-1001NL-X1	PS-XXXX	4 OF 5	JXD1-1001NL	A

SFFI ELECTRONICS.COM(Asia) PHONE:USA:858 674 8100, GERMANY:49 7032 78060, SINGAPORE:65 6287 8998, SHANGHAI:86 21 62787060, TAIWAN:886 3 4356788





NCE ONLY.

All rights reserved. Pulse confidential & proprietary. (10/20/15)






TLA DRAWING	PS DRAWING	SHEET	PART NO.	DATASHEET REV.
XD1-1001NL-X1	PS-XXXX	5 OF 5	JXD1-1001NL	A

Looking for pricing, stock, or lifecycle information?

Click below to explore more details on WIN SOURCE:

-  [View JXD1-1001NL on WIN SOURCE](#)
-  [Pulse Information](#)

Optimize Your Supply Chain with WIN SOURCE Solutions

-  Global Sourcing Solution
-  Obsolete Management
-  Cost Control Management
-  Shortage Management
-  Alternative Solution
-  Excess Inventory Management