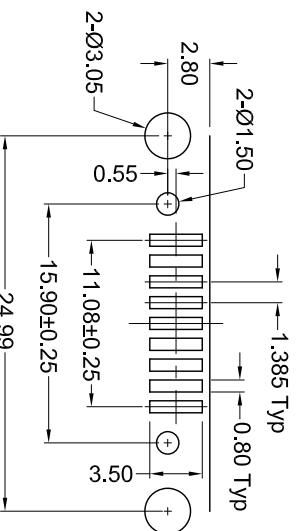
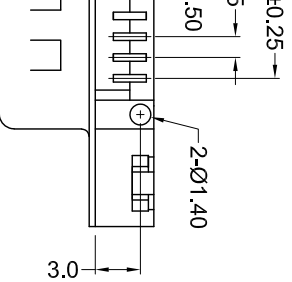
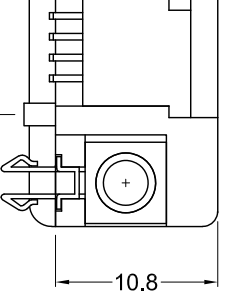
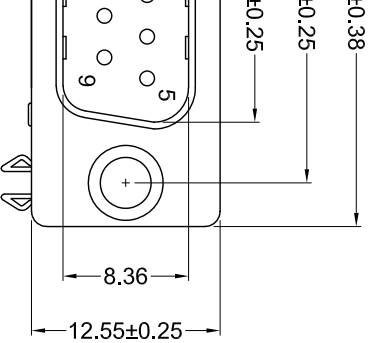




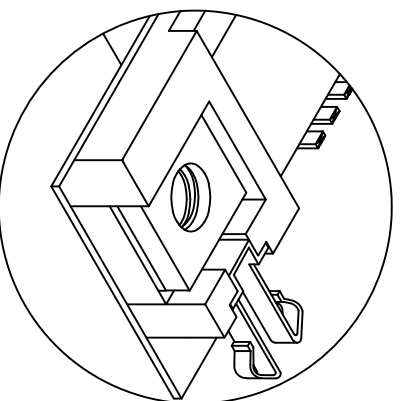
**THE DATASHEET OF
K202XHT-E9P-N**





Recommended PCB Layout

Pin Number:
5 9 4 8 3 7 2 6 1



Fork Board Lock Type

Part Number	Plating	Packaging
K202XHT-E9P-N	Flash	Tubes
K202XHT-E9P-N15	15u"	Tubes
K202XHT-E9P-N30	30u"	Tubes
K202XHT-E9P-N-TR	Flash	Tape and Reel
K202XHT-E9P-N15-TR	15u"	Tape and Reel
K202XHT-E9P-N30-TR	30u"	Tape and Reel

Material and Finish

Shell: Steel, nickel plated

Insulator:

high temp. thermoplastic
UL 94V-0 rated
reflow process compatible

Contact Material:

Plug-Phosphor Bronze

Duplex plated as follows:

-30 .000030" [0.00076mm] gold
on mating end,
tin on termination end,
with entire contact nickel
-15 .000015" [0.00038mm] gold
on mating end,
tin on termination end,
with entire contact nickel
(Standard) Gold flash on mating end,
tin on termination end, with nickel
underplate on entire contact

Electrical Specifications

Rated Current: 2A

Rated Voltage: 30V RMS

Withstanding Voltage:

500V (rms) AC for 1 min

Insulation Resistance:

more than 1000 Mohm
at 500V DC

Contact Resistance:

13 mohm Max

Dielectric Strength:

1000V for 1 min

Temperature Rating:

-55°C to +105°C

Tolerances

XX ± 0.25

XXX ± 0.15

Unless Stated

Otherwise

ROHS COMPLIANT

EU Directive 2002/95/EC



LF78160

V. BY CHK. BY

Aguirre H. MA
L.L. H H. MA
Vlen. H. MA
Serrano D. Sierhan

DRAWN BY

R. Aguirre

DATE

10/03/05

UNITS

mm

K202XHT-E9P-N

D-Sub, Right Angle, RoHS Compliant

Low Profile, 9 Pin Male, SMT



Looking for pricing, stock, or lifecycle information?

Click below to explore more details on WIN SOURCE:

 [View K202XHT-E9P-N on WIN SOURCE](#)

 [Kycon, Inc. Information](#)

Optimize Your Supply Chain with WIN SOURCE Solutions

-  Global Sourcing Solution
-  Obsolete Management
-  Cost Control Management
-  Shortage Management
-  Alternative Solution
-  Excess Inventory Management