



**THE DATASHEET OF
JXD0-2019NL**

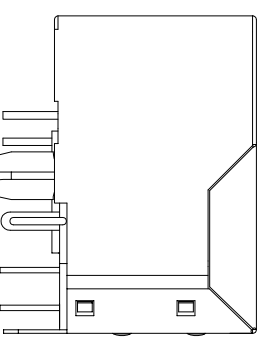
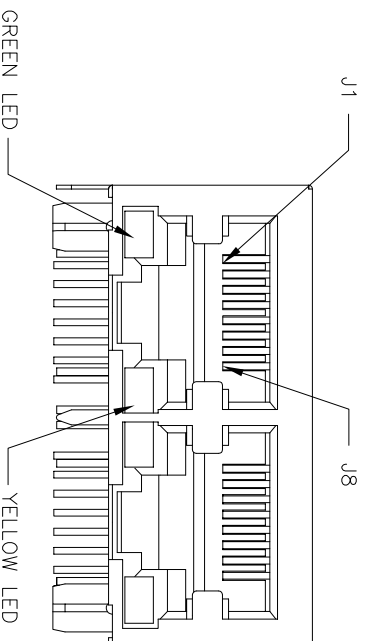


K UL94 V-0

SOLD, 30 MICRO-INCHS MIN
 AREA
 CTED MAYBE OMITTED SEE
 TED PINS
 CC RULES AND REGULATION

FOR WAVE SOLDERING
 TEMPERATURE IS

40°C TO +85°C.
 °C TO +85°C.



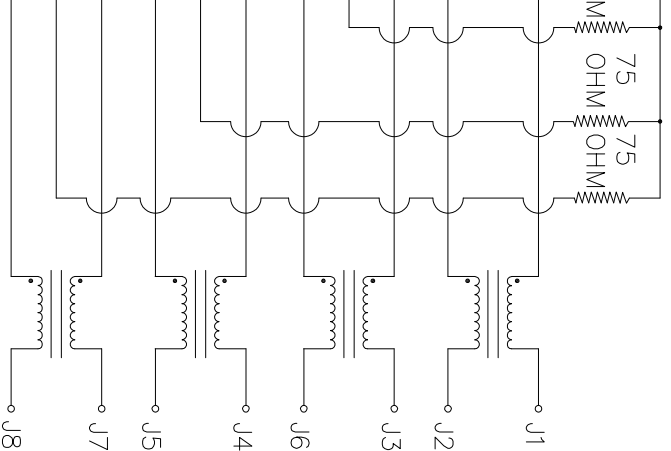
FINAL OUTLINE

electronics Corp. All rights reserved. Pulse confidential & proprietary. (07/14/17)

TLA DRAWING	PS DRAWING	SHEET	PART NO.	DATASHEET REV.
JXD0-2019NL-P1	-	1 OF 5	JXD0-2019NL	A

(US), ASIA@PULSEELECTRONICS.COM(Asia)

PHONE:USA:858 674 8100, GERMANY:49 7032 78060, SINGAPORE:65 6287 8998, SHANGHAI:86 21 62787060, TAIWAN:886 3 4356768



ELECTRONICAL SPECIFICATIONS:

1. TURN RATIO @100KHZ: (P2~P3):(J1~J2) = 1:1±5%
(P4~P5):(J3~J6) = 1:1±5%
(P6~P7):(J4~J5) = 1:1±5%
(P8~P9):(J7~J8) = 1:1±5%
2. PRIMARY INDUCTANCE: 350uH MIN @100KHZ,0.1V 8mA DC BIAS
3. DC RESISTANCE: 1.2 OHMS MAX
4. INSERTION LOSS: 1~100MHZ -1.0dB MAX
100~125MHZ -1.2dB MAX
5. RETURN LOSS: 1~40MHZ -16dB MIN
40~60MHZ -12dB MIN
60~80MHZ -10dB MIN
80~100MHZ -8dB MIN
6. CROSS TALK: 1~100MHZ -30dB MIN
7. COMMON TO COMMON MODE ATTENUATION: 1~100MHZ -30dB MIN
8. ISOLATION: PHY SIDE TO LINE SIDE : 2250VDC

LED SPECIFICATION

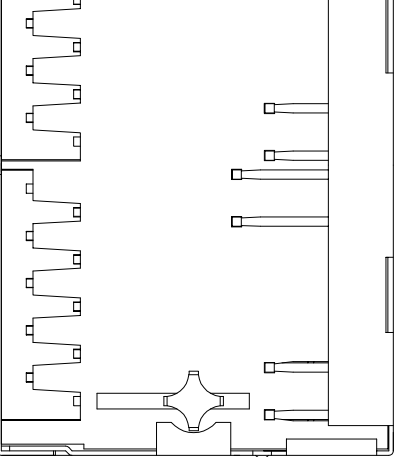
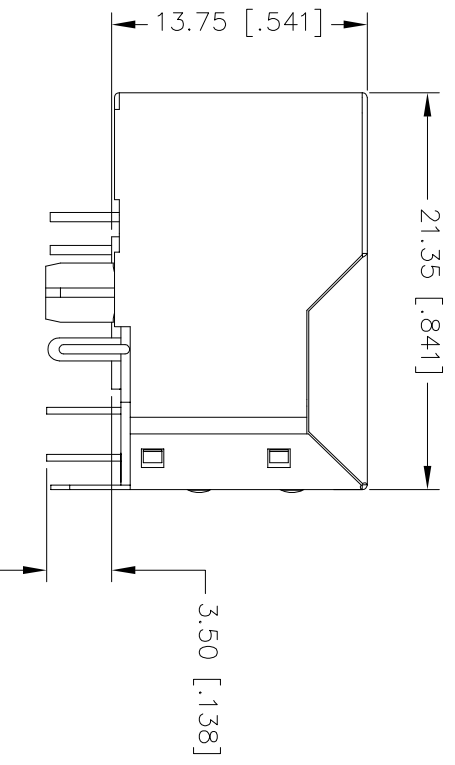
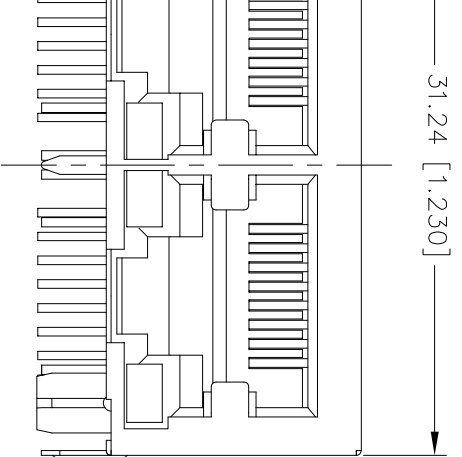
STANDARD LED	WAVELENGTH	FORWARD V(MAX)	TYP
GREEN	565nm	2.4V	2.2V
YELLOW	590nm	2.5V	2.1V

*WITH A FORWARD CURRENT OF 20mA

CHEMATIC

electronics Corp. All rights reserved. Pulse confidential & proprietary. (07/14/17)

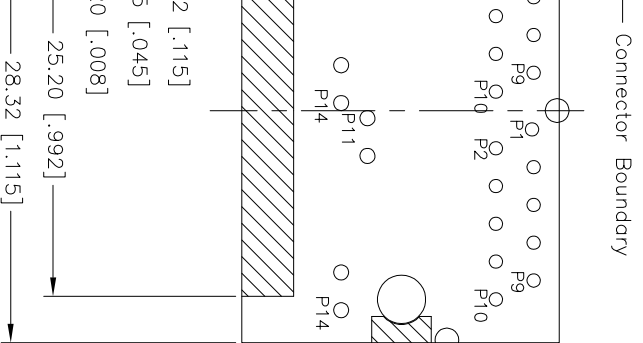
TLA DRAWING	PS DRAWING	SHEET	PART NO.	DATASHEET REV.
JXDO-2019NL-P1	-	2 OF 5	JXDO-2019NL	A



DIMENSIONS ARE IN MILLIMETERS [INCHES] WITH THE FOLLOWING
TOLERANCES: [INCHES] ARE FOR REFERENCE ONLY.
X.XX = ± 0.25 [$\pm .010$]

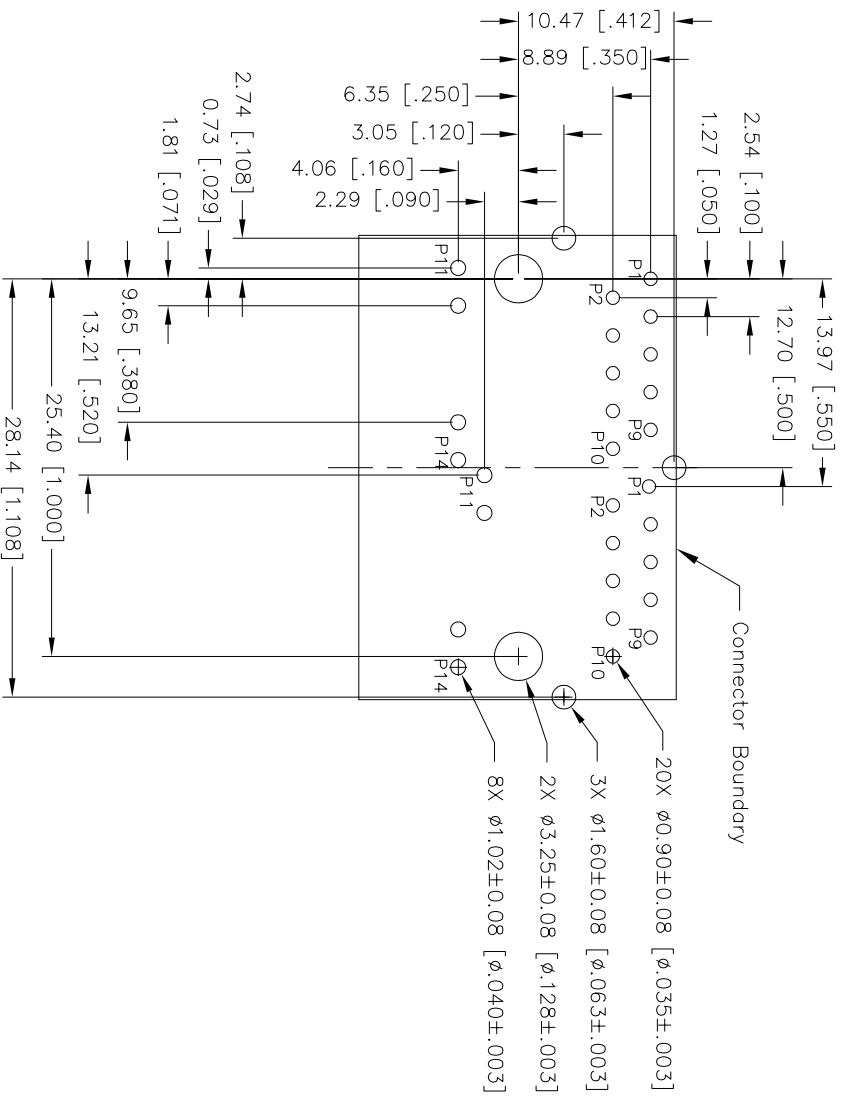
electronics Corp. All rights reserved. Pulse confidential & proprietary. (07/14/17)

TLA DRAWING	PS DRAWING	SHEET	PART NO.	DATASHEET REV.
JXDO-2019NL-P1	-	3 OF 5	JXDO-2019NL	A



OUT AREA
(COMPONENT SIDE SHOWN)

ALL DIMENSIONS [INCHES] WITH THE FOLLOWING
UNLESS OTHERWISE SPECIFIED OR REFERENCE ONLY.

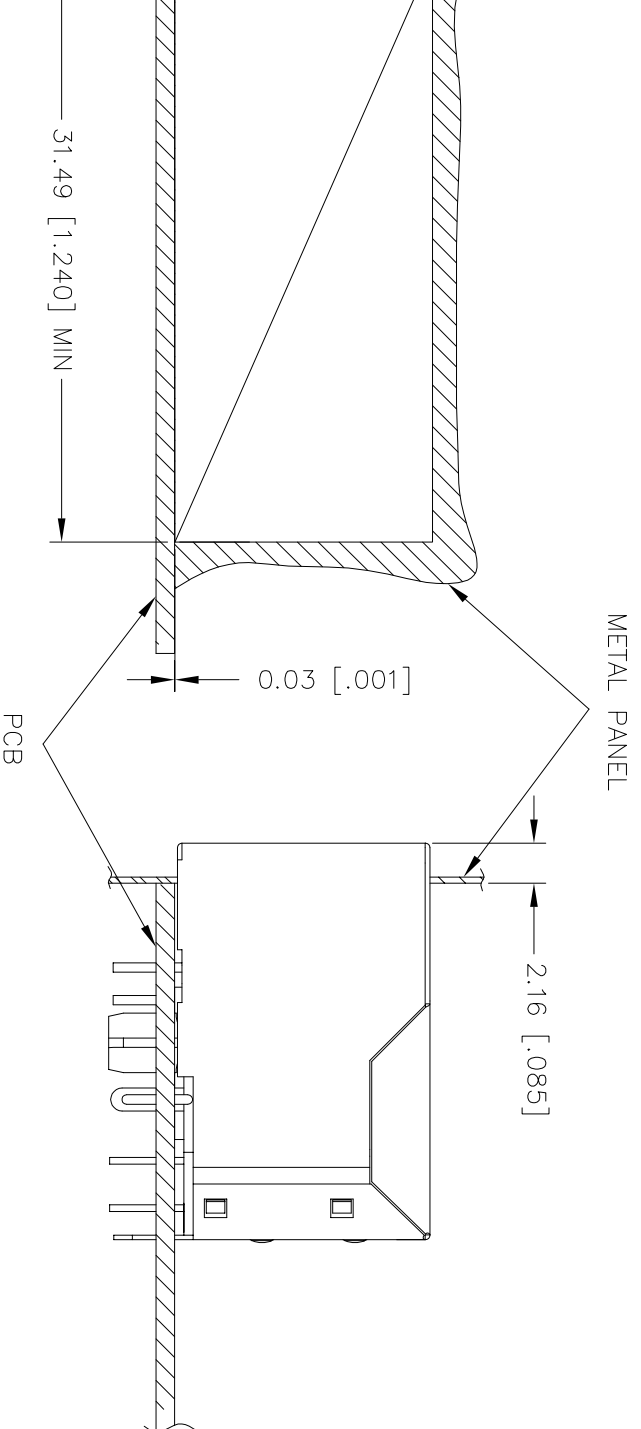


RECOMMENDED PCB LAYOUT
(COMPONENT SIDE SHOWN)

Pulse Corp. All rights reserved. Pulse confidential & proprietary. (07/14/17)	
TLA DRAWING	PS DRAWING
JXDO-2019NL-P1	-

SHEET	PART NO.
4 OF 5	JXDO-2019NL

DATE	REV.
07/14/17	A



ALL DIMENSIONS [INCHES] WITH THE FOLLOWING
TOLERANCES UNLESS OTHERWISE SPECIFIED.
OR REFERENCE ONLY.

Pulse Electronics Corp. All rights reserved. Pulse confidential & proprietary. (07/14/17)

TLA DRAWING	PS DRAWING	SHEET	PART NO.	DATASHEET REV.
JXDO-2019NL-P1	-	5 OF 5	JXDO-2019NL	A

Looking for pricing, stock, or lifecycle information?

Click below to explore more details on WIN SOURCE:

 [View JXD0-2019NL on WIN SOURCE](#)

 [Pulse Information](#)

Optimize Your Supply Chain with WIN SOURCE Solutions

-  Global Sourcing Solution
-  Obsolete Management
-  Cost Control Management
-  Shortage Management
-  Alternative Solution
-  Excess Inventory Management