



**THE DATASHEET OF  
ASMPH-0805-1R0M-T**



# SMD Multilayer Chip Power Inductor

ASMPH-0805



RoHS/RoHS II Compliant



2.0 x 1.25 x 0.9mm

## FEATURES:

- High DC bias current due to trench technology
- Much lower profile than any other series
- Monolithic structure for high reliability
- Excellent solderability and heat resistance
- Magnetically shielded structure to eliminate cross coupling

## APPLICATIONS:

ASMPH family is a miniature type of multilayer power inductors constructed using low loss ferrite material to support high-speed switching frequencies. The compact size and high efficiency is ideal for DC/DC converter applications in space limited boards.

- Switching mode regulators for smart phones and cameras.
- Buck converters for RFIC, RFPA and Audio Codec modules.
- Boost converters for flash drivers.
- Wireless cards, DVD players and other electronic devices.

## ELECTRICAL SPECIFICATIONS:

**Operating Temperature:** -40°C to +85°C

**Storage Temperature:** -10°C to +40°C, RH 70% (Max.)

Part Number ASMPH-0805- Inductance Code	Inductance	Tolerance	DCR	SRF Min.	Temperature Rise Current (max)	Saturation Current (Typ)
Units	μH	%	Ω ± 25%	MHz	mA	mA
Symbol	L	M=±20% N=±30%	DCR	SRF	I <sub>rms</sub>	I <sub>sat</sub>
ASMPH-0805-R47	0.47	M, N	0.08	100	1500	1200
ASMPH-0805-1R0	1.0	M, N	0.11	60	1300	1150
ASMPH-0805-1R5	1.5	M, N	0.16	50	1100	800
ASMPH-0805-2R2	2.2	M, N	0.20	40	900	500
ASMPH-0805-3R3	3.3	M, N	0.20	30	900	350
ASMPH-0805-4R7	4.7	M, N	0.25	30	800	280

Unless otherwise specified, the standard atmospheric conditions for measurement/test as:

- Ambient Temperature: 20±15°C
- Relative Humidity: 65±20%
- Air Pressure: 86 kPa to 106 kPa

**Inductance (L):** HP4291B+HP16192A or Equivalent, tested at 1MHz, -20dBm or 50mV.

**Direct Current Resistance (DCR):** Milliohmeter-HP4338B or Equivalent

**Self-Resonant Frequency (SRF):** HP4291B+HP16192A or Equivalent, -20dBm or 50mV.

**Temperature Rise current (I<sub>rms</sub>):** Electric Power, Electric current meter, Thermometer.

I<sub>rms</sub> is the value of DC current as chip surface temperature rose just 40°C against chip initial surface temperature.

**Saturation Current (I<sub>sat</sub>):** HP6632B system DC power supply, HP4291B+HP16192A+HP16200A or equivalent.

I<sub>sat</sub> is the value of DC current as inductance decreased just 30% against initial value



# SMD Multilayer Chip Power Inductor



2.0 x 1.25 x 0.9mm

ASMPH-0805

RoHS/RoHS II Compliant

## PART IDENTIFICATIONS:

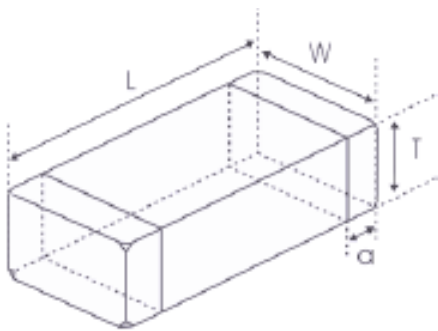
ASMPH-0805- - - 

**Inductance Code**  
Please refer to the table above

**Tolerance**  
M=±20%  
N=±30%

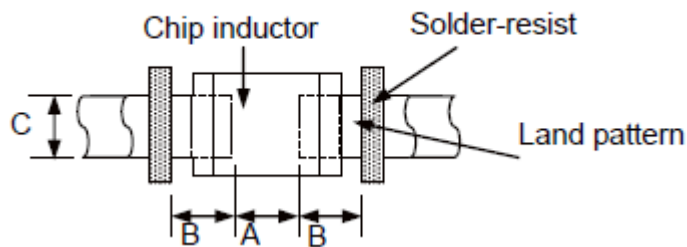
**Packaging**  
T: Tape and Reel (3kpcs / reel)

## OUTLINE DRAWING:



L	W	T	a
2.0(+0.3,-0.1)	1.25±0.2	0.9±0.1	0.5±0.3

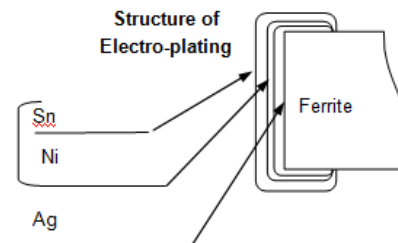
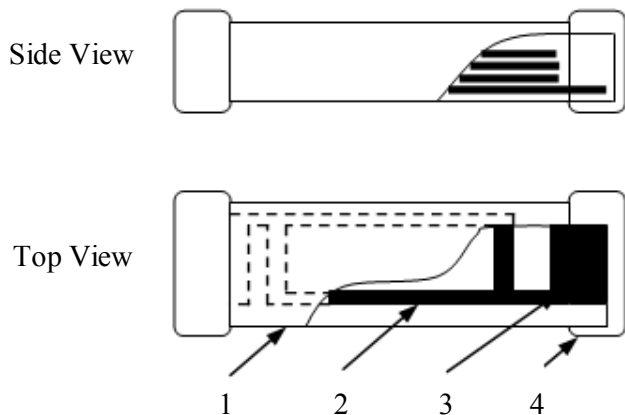
## Recommended Land Pattern



A	B	C
0.8~1.2	0.8~1.2	0.9~1.6

Dimension: mm

## MATERIALS:



	Part Name	Material
1	Base Material	Ferrite
2	Internal Conductor	Ag
3	Pull out Electrode	Ag
4	Terminal Electrode	Ag (Inner layer) Ni-Sn (Outer layer)

# SMD Multilayer Chip Power Inductor

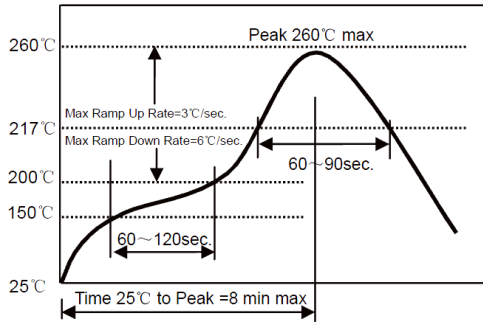


2.0 x 1.25 x 0.9mm

ASMPH-0805

RoHS/RoHS II Compliant

## REFLOW PROFILE:

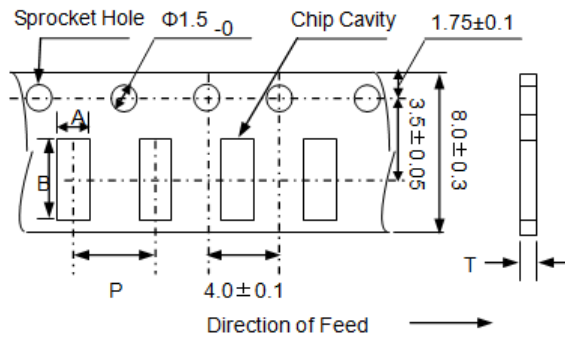


Preheat Condition	150 to 200 °C; 60 to 120 sec.
Allowed time above 217 °C	60 to 90 sec.
Max temperature	260 °C
Max time at max temperature	10 sec.
Solder paste	Sn/3.0Ag/0.5Cu
Allowed Reflow time	2x max.

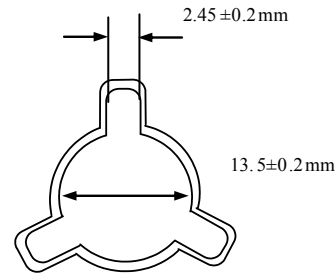
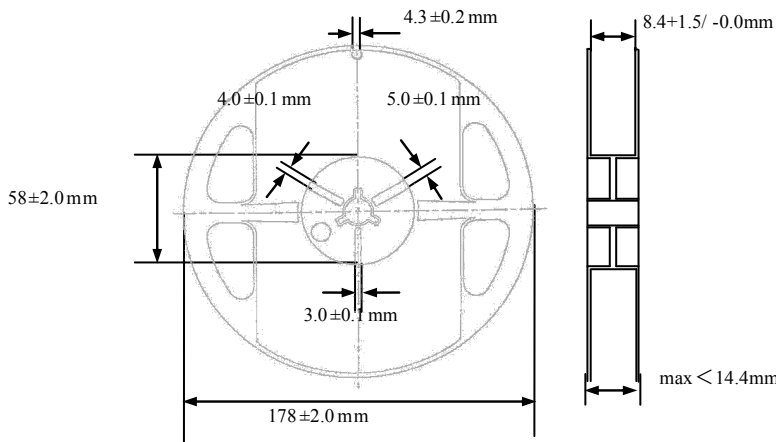
## TAPE & REEL:

### Packing

T: 3,000pcs / reel



A	B	P	K max	T max
1.55±0.1	2.30±0.1	4.0±0.1	1.45	0.3



Dimension: mm

**ATTENTION:** Abracon Corporation's products are COTS – Commercial-Off-The-Shelf products; suitable for Commercial, Industrial and, where designated, Automotive Applications. Abracon's products are not specifically designed for Military, Aviation, Aerospace, Life-dependant Medical applications or any application requiring high reliability where component failure could result in loss of life and/or property. For applications requiring high reliability and/or presenting an extreme operating environment, written consent and authorization from Abracon Corporation is required. Please contact Abracon Corporation for more information.

ABRACON IS  
ISO 9001:2008  
CERTIFIED



**ABRACON**  
CORPORATION

Visit [www.abracon.com](http://www.abracon.com) for Terms & Conditions of Sale **Revised: 02.12.13**  
30332 Esperanza, Rancho Santa Margarita, California 9268  
tel 949-546-8000 | fax 949-546-8001 | [www.abracon.com](http://www.abracon.com)

## Looking for pricing, stock, or lifecycle information?

Click below to explore more details on WIN SOURCE:

- ⊖ [View ASMPH-0805-1R0M-T on WIN SOURCE](#)
- ⊖ [Abracon LLC Information](#)

## Optimize Your Supply Chain with WIN SOURCE Solutions

- ✓ Global Sourcing Solution
- ✓ Obsolete Management
- ✓ Cost Control Management
- ✓ Shortage Management
- ✓ Alternative Solution
- ✓ Excess Inventory Management