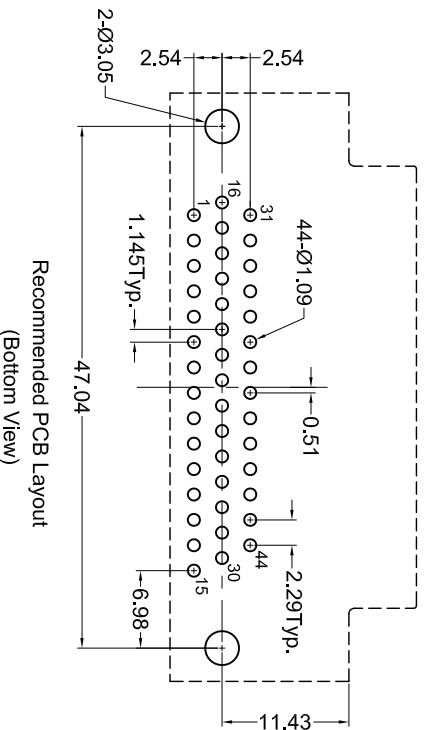
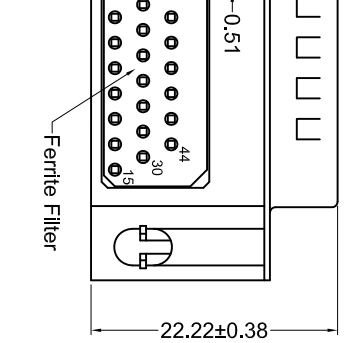
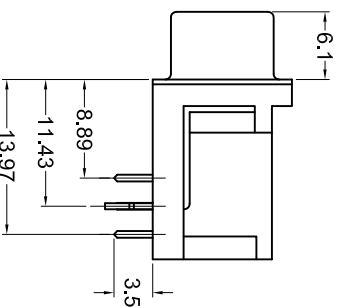
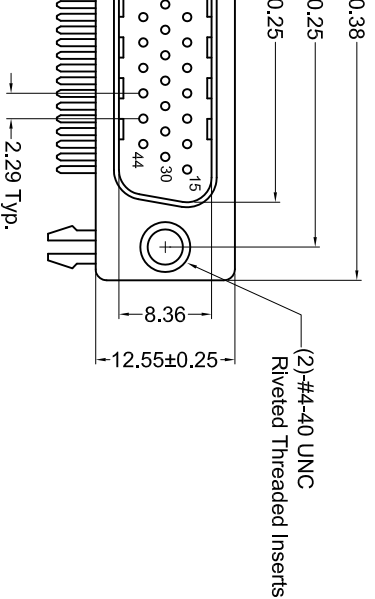




**THE DATASHEET OF
KF66X-B44P-N30**





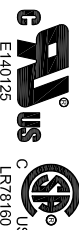
Part Number	Contact Area Plating Finish
KF66X-B44P-N	Gold Flash (standard)
KF66X-B44P-N15	15u" Gold (15 option)
KF66X-B44P-N30	30u" Gold (30 option)

V. BY	CHK. BY	DRAWN BY	DATE	UNITS
Vien	H. MA	S. Vien	07/28/08	mm
MA	P. DalCanto			
MA	W. Cook			
MA	C. Furumasa			

KF66X-B44P-N

D-Sub, HD, RoHS Compliant
Ferrite, 44 Pos., Male, Boardlocks

RoHS COMPLIANT



E140125

LR78160

Tolerances
X.X ± 0.25
X.XX ± 0.15
Unless Stated
Otherwise

- Rated Current: 1.5A
- Rated Voltage: 29Vac
- Insulation Resistance: more than 1000 megohms at 500V DC
- Contact Resistance: 13 milliohms max.
- Dielectric Strength: 1000V for 1 minute
- Durability Rating: 500 mating cycles min.
- Operating Temperature: -55°C to +75°C

Electrical Specifications

- Contact Material: Plug - Brass
- Contact Plating Options: Standard: gold flash on mating end, tin on termination end, nickel underplate on entire contact
- 15 Option: 15u" gold on mating end, tin on termination end, nickel underplate on entire contact
- 30 Option: 30u" gold on mating end, tin on termination end, nickel underplate on entire contact



Looking for pricing, stock, or lifecycle information?

Click below to explore more details on WIN SOURCE:

 [View KF66X-B44P-N30 on WIN SOURCE](#)

 [Kycon, Inc. Information](#)

Optimize Your Supply Chain with WIN SOURCE Solutions

-  Global Sourcing Solution
-  Obsolete Management
-  Cost Control Management
-  Shortage Management
-  Alternative Solution
-  Excess Inventory Management