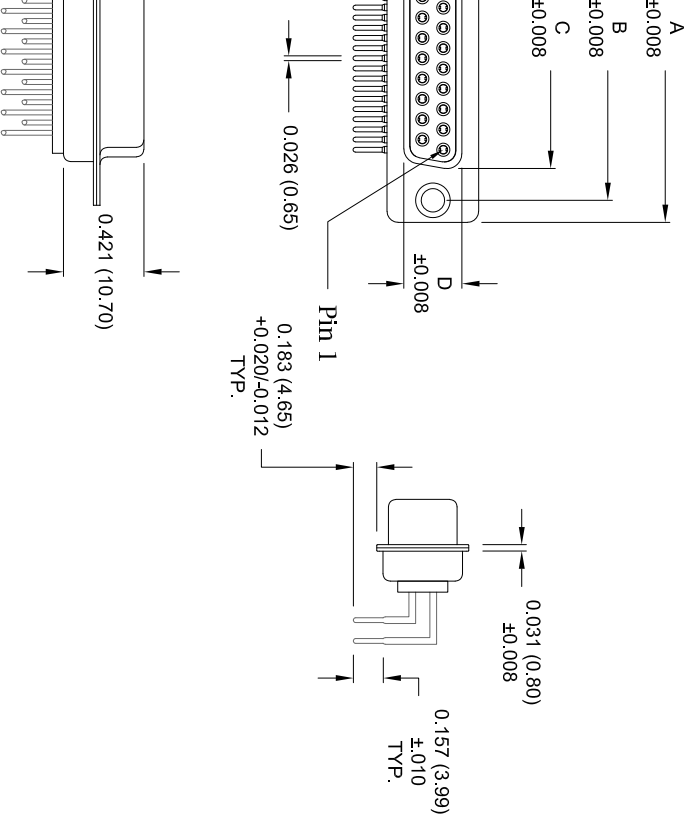




**THE DATASHEET OF**  
**174-E15-213R001**



Dimensions (Inch/mm)						
Pins	A	B	C	D	E	F
	9	1.213 30.80	0.984 25.00	0.642 16.30	0.311 7.90	0.228 5.80
15	1.541 39.20	1.312 33.30	0.970 24.60	0.311 7.90	0.228 5.80	0.492 12.50
	2.089 53.05	1.852 47.05	1.512 38.40	0.311 7.90	0.228 5.80	0.492 12.50
37	2.728 69.40	2.500 63.50	2.157 54.80	0.311 7.90	0.228 5.80	0.492 12.50
	2.638 67.00	2.402 61.00	2.055 52.20	0.429 10.90	0.236 6.00	0.602 15.30



174- EYY - 21Y RYY 1

- Series**
- Position**
- E09
- E15
- E25
- E37
- F50
- Gender**
- 2 = Female
- Termination**
- 1 = PCB Mounting
- Shell Plating**
- 3 = Nickel
- RoHS Compliant**
- Hardware Options**
- 00 = No Hardware
- 01 = 0.098" Clinch Nut (Board Side)
- 14 = Standard Bracket with 4-40 Screwlock
- 24 = Standard Bracket with 4-40 Captive Screw
- 46 = Boardlock Bracket with 4-40 Insert
- Plating Options**
- 1 = Gold Flash
- 2 = 30µ" Gold
- 3 = 50µ" Gold

Nickel Plated Steel  
UL 94V-O Rated, White PA6T  
260°C  
Precision Machined Copper Alloy

5 AMPS  
10 mOhms Max.  
5 GOhms Min.  
250V  
-55°C TO +125°C

DRAWN: PAM JENKINS  
DATE: 11/28/2005

IFICATIONS ARE  
AND SHALL NOT  
R USED AS THE  
RE OR SALE OF  
EN PERMISSION.

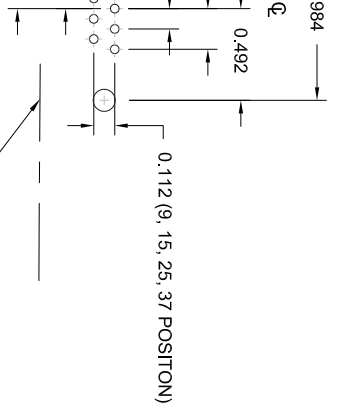
UNITS = inch [mm]

DO NOT SCALE FROM DRAWING

NorComp

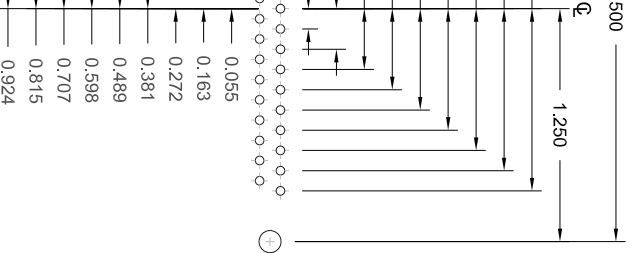
SCALE: NTS SHEET 1 OF 3 REV 17  
DWG NO. 174-EYY-21Y RYY 1

POSITION

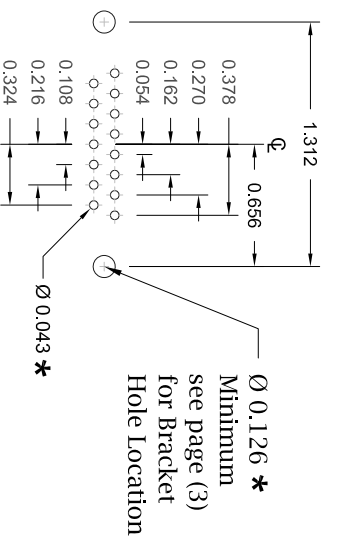


PCB Edge  
Typical for  
9,15,25,37 Position

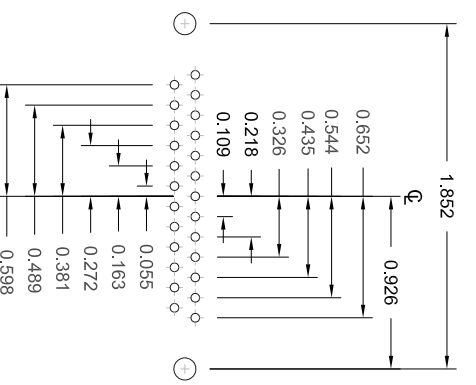
POSITION



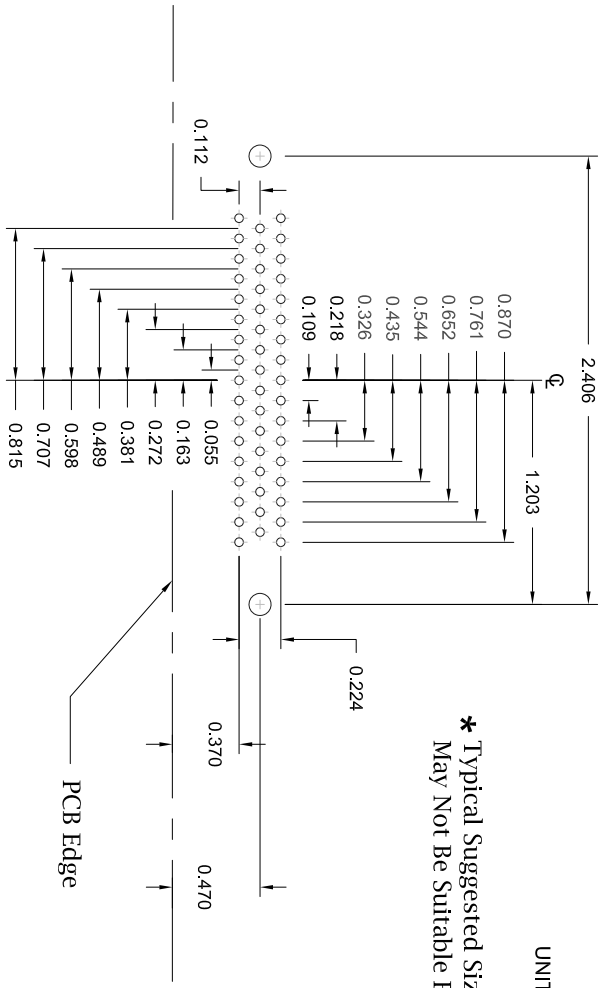
15 POSITION



25 POSITION



50 POSITION



\* Typical Suggested Size  
May Not Be Suitable For All Applications

UNITS = inch

PCB Edge

IFICATIONS ARE  
AND SHALL NOT  
R USED AS THE  
RE OR SALE OF  
EN PERMISSION.

DRAWN:  
**PAM JENKINS**

DATE:  
11/28/2005

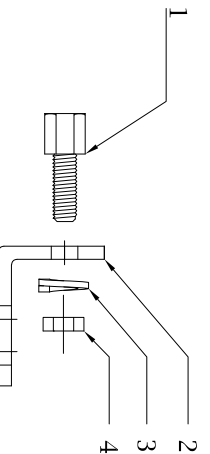
**DO NOT SCALE FROM DRAWING**

**NorComp**

SCALE: NTS SHEET 2 OF 3 REV 17

DWG NO. 174-EYY-21YRY1

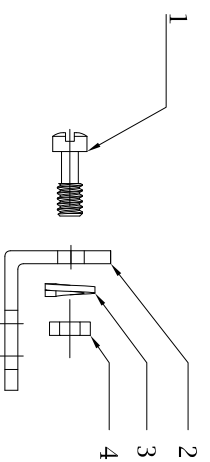
14 Hardware Option		NorComp Part Number
Description		
1 4-40 Screwlock Bracket		SFSO4401NR
2 Lock Washer		K501CZ
3 4-40 Nut		LW1-T
4		N4401N



\*\*Search Hardware Part Number To Obtain Technical Specifications.

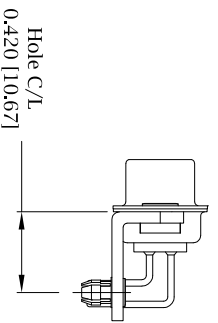
46 Hardware Option		NorComp Part Number
Description		
Boardlock Bracket and 4-40 Insert		

24 Hardware Option		NorComp Part Number
Description		
1 4-40 Capitive Screw Bracket		SSH4401T
2 Lock Washer		K501CZ
3 4-40 Nut		LW1-T
4		N4401N



\*\*Search Hardware Part Number To Obtain Technical Specifications.

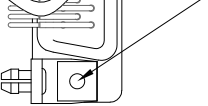
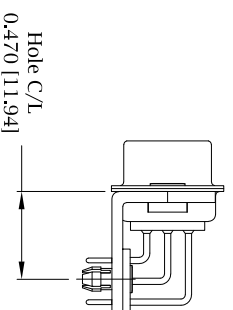
### 9-37 Position Connector Boardlock Bracket



Boardlock Brackets Come Assembled On Connector

### 50 Position Connector Boardlock Bracket

\*\* 50 Position Comes With Locator Plate



DRAWN:  
**PAM JENKINS**

DATE:  
11/28/2005

**NorComp**

SCALE: NTS SHEET 3 OF 3 REV 17

DWG NO. 174-EYY-21YRYY1

UNITS = inch [mm]

**DO NOT SCALE FROM DRAWING**

IFICATIONS ARE  
AND SHALL NOT  
R USED AS THE  
RE OR SALE OF  
EN PERMISSION.

## Looking for pricing, stock, or lifecycle information?

Click below to explore more details on WIN SOURCE:

 [View 174-E15-213R001 on WIN SOURCE](#)

 [NorComp Inc. Information](#)

## Optimize Your Supply Chain with WIN SOURCE Solutions

-  Global Sourcing Solution
-  Obsolete Management
-  Cost Control Management
-  Shortage Management
-  Alternative Solution
-  Excess Inventory Management