



**THE DATASHEET OF
XM3B-2522-111**



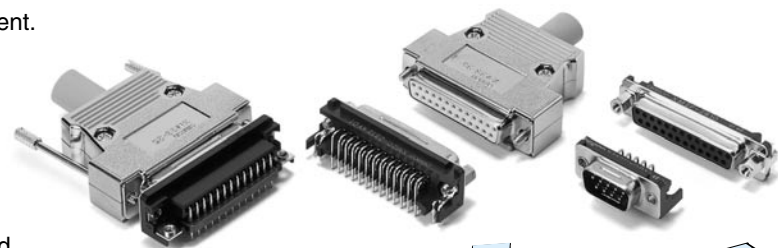
XM2/XM3

D-sub Connectors

D-sub Connectors Ideal for Interfacing with OA Equipment

OA:Office Automation

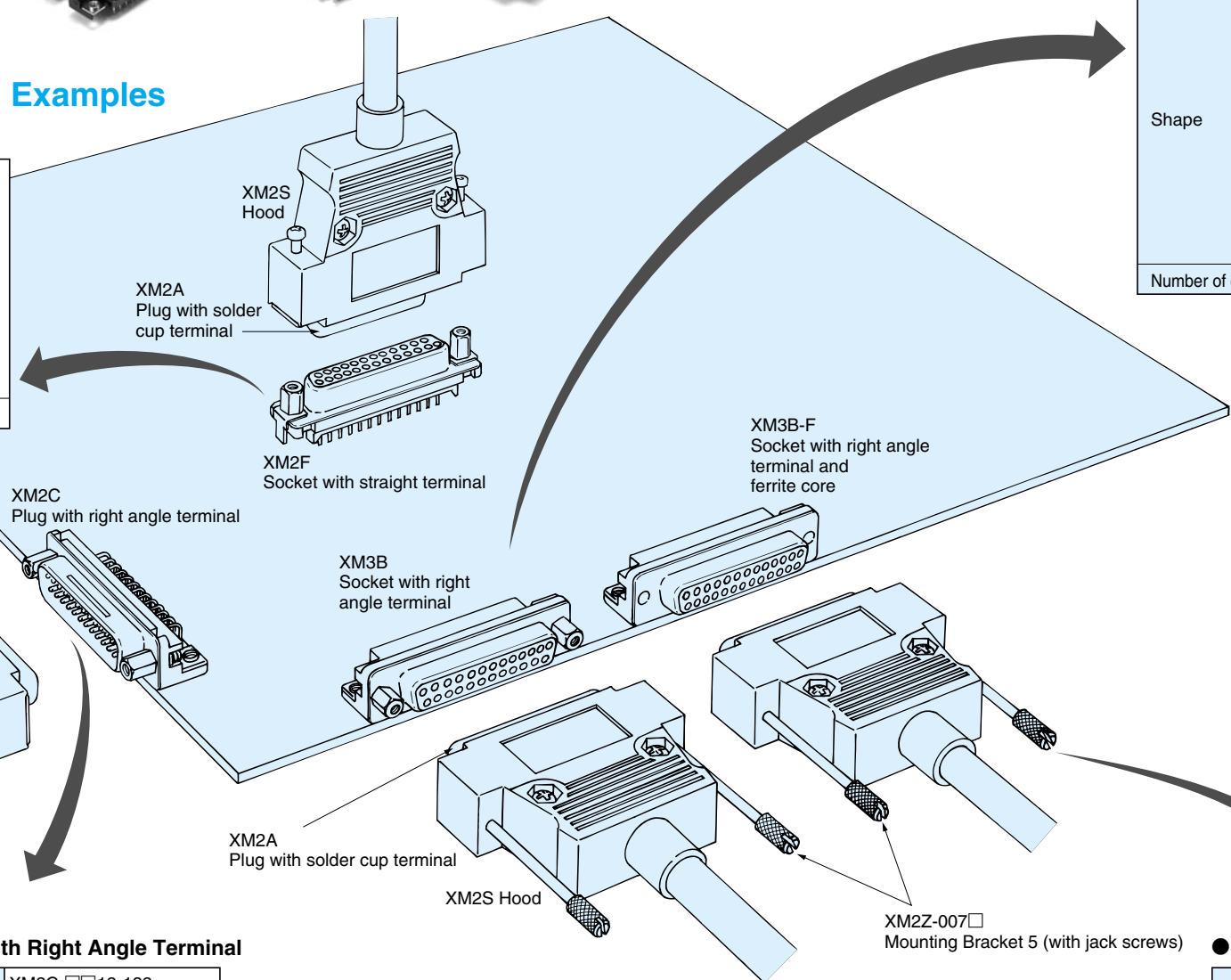
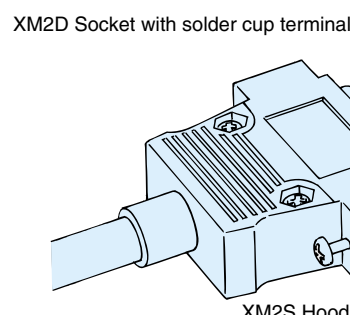
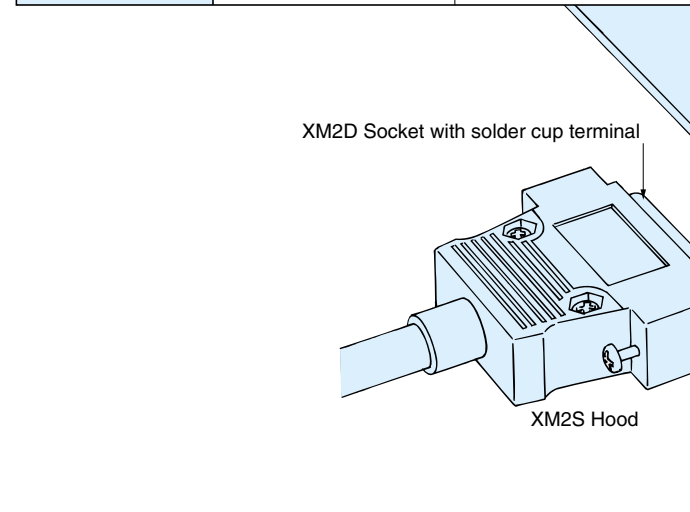
- D-sub Connectors Ideal for Interfacing with OA Equipment.
- Shielded connectors that prevent EMI.
- Noise can be suppressed effectively by using the XM2S Plastic Hood with metallic finish.
- XM3B-F multi-hole ferrite-core models are also available. Use these models to suppress high-frequency noise and save PCB mounting space.
- Compact and tough structure with a metal shell provided.
- A wide variety of mounting brackets and grounding metals are available.



Connection Examples

●XM2F Sockets with Straight Terminal

Shape		
Number of contacts	9,15,25,37	9,15,25,37



●XM3B Sockets with Right Angle Terminal

Shape		
Number of contacts	9,15,25,37	9,15,25,37

●XM2C Plugs with Right Angle Terminal

Shape	
Number of contacts	9,15,25,37

●Hood/Solder Cup Terminal

Shape			
Number of contacts	9,15,25,37	9,15,25,37	9,15,25,37

Looking for pricing, stock, or lifecycle information?

Click below to explore more details on WIN SOURCE:

 [View XM3B-2522-111 on WIN SOURCE](#)

 [Omron Information](#)

Optimize Your Supply Chain with WIN SOURCE Solutions

-  Global Sourcing Solution
-  Obsolete Management
-  Cost Control Management
-  Shortage Management
-  Alternative Solution
-  Excess Inventory Management