



**THE DATASHEET OF  
S912ZVC19F1WLFR**



# S12 MagniV S12ZVC

## Smallest Integrated CAN MCU

**System in a Package** – Highly integrated part ideal for space constrained applications such as actuators, sensors, CAN nodes, etc.

**Low System Cost** – Directly powered by battery. Integrated CAN phy, Vreg, high voltage pins, and op-amps reduce system, test, qualification and manufacturing cost.

**High Reliability** – High immunity to EMI and ESD stresses, CAN HS/LS compliant with +/- 8kV ESD capability.

**Enablement** – Supported by comprehensive hardware and software system (free low-level drivers to enterprise third party tools) reduces development cost and time to market.

### S12ZVC(A) Specifications

Flash	64-192 KB	12V VREG	12V/70mA, 170mA with ballast
RAM	4-12 KB	EVDD	1ch 5V/20mA (source)
EEPROM	1-2 KB	NGPIO	4ch 5V/25mA (sink)
Core	S12Z	ADC	10-16ch 10 bit (12 bit)
Speed	32 MHz	DAC	8 bit DAC with OpAmp
Op Range	5.5 V-18 V	Comparator	2# rail to rail
HVI	2	Timer	8ch/16B + 4ch/16B (16ns)
CAN Phy	1	PWM	4ch/16B + 4ch/16B (16ns)
Op range	5.5 V - 18 V	Comms	1MSCAN, 2 SCI, 2 SPI, 1 IIC, 1 SENT-Tx
Temp	150°C Ta	Packages	64-LQFP-EP, 48-LQFP

### Orderable Samples

Part Number	Temp Range	Package
S912ZVCA19F0MLF	-40°C to 125°C	48 LQFP
S912ZVCA19F0MKH	-40°C to 125°C	64 LQFP-EP
S912ZVCA19F0WKH	-40°C to 150°C	64 LQFP-EP

### Features

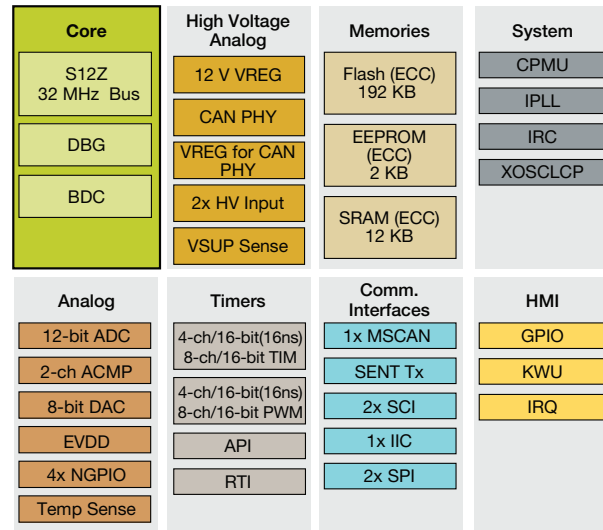
- AEC-Q100 Grade 0 Up to 150°C Ta
- Fast 12 bit ADC, 2 Op Amps, high-res PWM/Timer
- Integrated CAN transceiver
- Ultra-reliable industrial

Get Sample

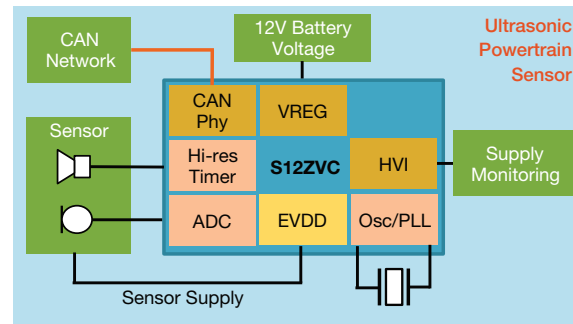
Data Sheet

Tools

### Block Diagram



### Ultrasonic Powertrain Sensor



### Success Stories

- CAN based sensors such as humidity, airmass, NOx, urea sensor
- HVAC Controllers
- Industrial CAN communication
- CAN connected motor control

### Target Applications

- CAN nodes
- CAN switch panel/user interface
- CAN actuators, sensors
- HVAC
- Lighting controls
- Seat positioning
- Seatbelt pretensioner
- Ultrasonic sensors
- Occupant detection
- Powertrain sensors (NOx)

### Enablement Tools

- Evaluation boards/hardware
  - VLG-MC9S12ZVC
- CodeWarrior, Cosmic
- LIN drivers



For more information, visit [freescale.com/S12ZVC](http://freescale.com/S12ZVC)

# Mouser Electronics

Authorized Distributor

Click to View Pricing, Inventory, Delivery & Lifecycle Information:

## NXP:

[S912ZVFP64F1CLQ](#) [S912ZVFP64F1VLQ](#) [S912ZVFP64F1VLL](#) [S912ZVFP64F1CLL](#) [S912ZVCA19F0MKH](#)  
[S912ZVCA19F0WKH](#) [S912ZVCA19F0MLF](#) [S912ZVCA19F0MLFR](#) [S912ZVC19F0MKH](#) [S912ZVC19F0MLF](#)  
[S912ZVC96F0MLF](#) [S912ZVC12F0VLFR](#) [S912ZVC96F0MLFR](#) [S912ZVCA96F0MLF](#) [S912ZVCA96F0MLFR](#)  
[S912ZVC96F0MKH](#) [S912ZVC12F0VLF](#) [S912ZVCA64F0MLF](#) [S912ZVC12F0VKH](#) [S912ZVC19F0VKHR](#)  
[S912ZVC64F0MLF](#) [S912ZVC12F0MLF](#) [S912ZVC19F0VKH](#) [S912ZVCA19F0VLF](#) [S912ZVCA19F0VLFR](#)  
[S912ZVC12F0MLFR](#) [S912ZVC64F0MLFR](#) [S912ZVC19F0MKHR](#) [S912ZVC64F0MKHR](#) [S912ZVC64F0VLF](#)  
[S912ZVC12F0MKH](#) [S912ZVC12F0VKHR](#) [S912ZVC64F0CLFR](#) [S912ZVC19F0VLFR](#) [S912ZVC64F0VLFR](#)  
[S912ZVC19F0VLF](#) [S912ZVCA96F0VLF](#) [S912ZVCA64F0CLFR](#) [S912ZVC64F0CLF](#) [S912ZVC12F0MKHR](#)  
[S912ZVCA64F0VLF](#) [S912ZVCA64F0VLFR](#) [S912ZVC96F0CLF](#) [S912ZVCA64F0MLFR](#) [S912ZVC96F0VLF](#)  
[S912ZVC96F0VLFR](#)

## Looking for pricing, stock, or lifecycle information?

Click below to explore more details on WIN SOURCE:

 [View S912ZVC19F1WLFR on WIN SOURCE](#)

 [NXP / Nexperia Information](#)

## Optimize Your Supply Chain with WIN SOURCE Solutions

-  Global Sourcing Solution
-  Obsolete Management
-  Cost Control Management
-  Shortage Management
-  Alternative Solution
-  Excess Inventory Management