



**THE DATASHEET OF  
LTC6943CGN#PBF**



# Micropower, Dual Precision Instrumentation Switched Capacitor Building Block

## FEATURES

- Low Power,  $I_S = 60\mu\text{A}(\text{Max})$
- Robust, Latch Up Proof
- Instrumentation Front End with 120dB CMRR
- Precise, Charge-Balanced Switching
- Operates from 5V to 18V
- Internal or External Clock
- Operates up to 5MHz Clock Rate
- Two Independent Sections with One Clock
- Tiny SSOP-16 Package

## APPLICATIONS

- Ultra Precision Voltage Inverters, Multipliers and Dividers
- V-F and F-V Converters
- Sample-and-Hold
- Current Sources
- Precision Instrumentation Amplifiers

 LTC and LT are registered trademarks of Linear Technology Corporation. LTCMOS is a trademark of Linear Technology Corporation.

## DESCRIPTION

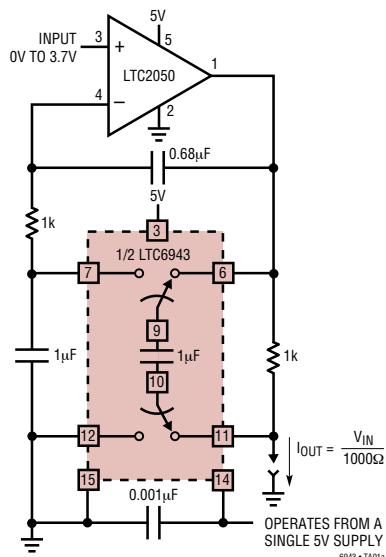
The LTC<sup>®</sup>6943 is a monolithic, charge-balanced, dual switched capacitor instrumentation building block. A pair of switches alternately connects an external capacitor to an input voltage and then connects the charged capacitor across an output port. The internal switches have a break-before-make action. An internal clock is provided and its frequency can be adjusted with an external capacitor. The LTC6943 can also be driven with an external CMOS clock.

The LTC6943, when used with low clock frequencies, provides ultra precision DC functions without requiring precise external components. Such functions are differential voltage to single-ended conversion, voltage inversion, voltage multiplication and division by 2, 3, 4, 5, etc.

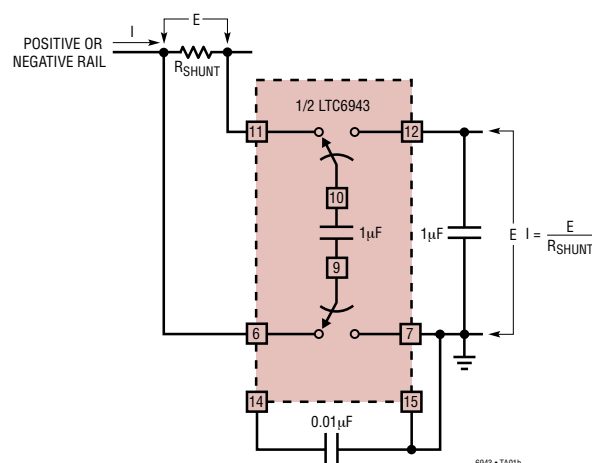
The LTC6943 is manufactured using Linear Technology's enhanced LTCMOS<sup>™</sup> silicon gate process, and it is functionally compatible with the LTC1043.

## TYPICAL APPLICATION

**Precision Voltage Controlled Current Source with Ground Referred Input and Output**



**Precision Current Sensing in Supply Rails**



## ABSOLUTE MAXIMUM RATINGS

(Note 1)

Supply Voltage .....	18V
Input Voltage at Any Pin .....	$-0.3V \leq V_{IN} \leq V^+ + 0.3V$
Operating Temperature Range	
(Note 2) .....	$-40^{\circ}\text{C}$ to $125^{\circ}\text{C}$
Specified Temperature Range	
(Note 2) .....	$-40^{\circ}\text{C}$ to $125^{\circ}\text{C}$
Storage Temperature Range .....	$-65^{\circ}\text{C}$ to $150^{\circ}\text{C}$
Lead Temperature (Soldering, 10 sec).....	$300^{\circ}\text{C}$

## PACKAGE/ORDER INFORMATION

<p>GN PACKAGE 16-LEAD NARROW PLASTIC SSOP <math>T_{JMAX} = 125^{\circ}\text{C}</math>, <math>\theta_{JA} = 110^{\circ}\text{C/W}</math></p>	ORDER PART NUMBER
	LTC6943CGN LTC6943IGN LTC6943HGN
	GN PART MARKING
	6943C 6943I 6943H

Consult LTC Marketing for parts specified with wider operating temperature ranges.

## ELECTRICAL CHARACTERISTICS

The ● denotes specifications which apply over the full operating temperature range, otherwise specifications are at  $T_A = 25^{\circ}\text{C}$ .  $V^+ = 10\text{V}$ ,  $V^- = 0\text{V}$

SYMBOL	PARAMETER	CONDITIONS	LTC6943C LTC6943I			LTC6943H			UNITS	
			MIN	TYP	MAX	MIN	TYP	MAX		
$I_S$	Power Supply Current	Pin 14 Connected High or Low	●	40	60	90	40	60	90	$\mu\text{A}$
		$C_{OSC}$ (Pin 14 to $V^-$ ) = 100pF	●	80	150	170	80	150	170	$\mu\text{A}$
$I_I$	OFF Leakage Current	Any Switch, Test Circuit 1 (Note 3)	●	6	100	40	6	100	200	pA nA
			●	240	400	700	240	400	700	$\Omega$ $\Omega$
$R_{ON}$	ON Resistance	Test Circuit 2, $V_{IN} = 7\text{V}$ , $I = \pm 0.5\text{mA}$ $V^+ = 10\text{V}$ , $V^- = 0\text{V}$	●	400	700	1	400	700	1	$\Omega$ k $\Omega$
$f_{OSC}$	Internal Oscillator Frequency	$C_{OSC}$ (Pin 14 to $V^-$ ) = 0pF	●	20	185	50	20	185	50	kHz
		$C_{OSC}$ (Pin 14 to $V^-$ ) = 100pF	●	12	30	75	10	30	75	kHz
		Test Circuit 3	●	40	70	100	40	70	100	$\mu\text{A}$ $\mu\text{A}$
$I_{OSC}$	Pin Source or Sink Current	Pin 14 at $V^+$ or $V^-$	●	25	25	25	25	25	25	ns
		Break-Before-Make Time		75	75	75	75	75	75	ns
		Clock to Switching Delay	$C_{OSC}$ Pin Externally Driven		5	5	5	5	5	5
$f_M$	Maximum External CLK Frequency	$C_{OSC}$ Pin Externally Driven with CMOS Levels		120	120	120	120	120	120	dB
CMRR	Common Mode Rejection Ratio	$V^+ = 5\text{V}$ , $V^- = -5\text{V}$ , $-5\text{V} < V_{CM} < 5\text{V}$ DC to 400Hz								

**Note 1:** Absolute Maximum Ratings are those values beyond which the life of a device may be impaired.

**Note 2:** All versions of the LTC6943 are guaranteed functional over the operating temperature range of  $-40^{\circ}\text{C}$  to  $125^{\circ}\text{C}$ . The LTC6943CGN is guaranteed to meet  $0^{\circ}\text{C}$  to  $70^{\circ}\text{C}$  specifications and is designed, characterized and expected to meet the specified performance from  $-40^{\circ}\text{C}$

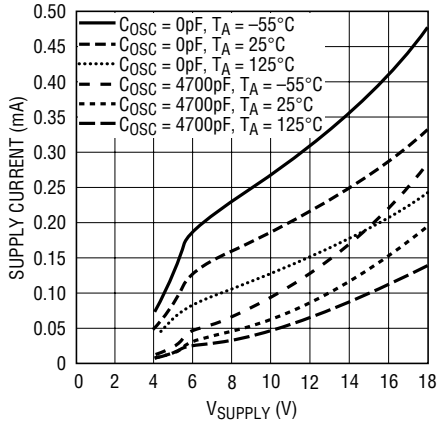
to  $85^{\circ}\text{C}$  but it is not tested or QA sampled at these temperatures.

The LTC6943IGN is guaranteed to meet specified performance from  $-40^{\circ}\text{C}$  to  $85^{\circ}\text{C}$ . The LTC6943HGN is guaranteed to meet specified performance from  $-40^{\circ}\text{C}$  to  $125^{\circ}\text{C}$ .

**Note 3:** OFF leakage current at  $25^{\circ}\text{C}$  is guaranteed by design and it is not 100% tested in production.

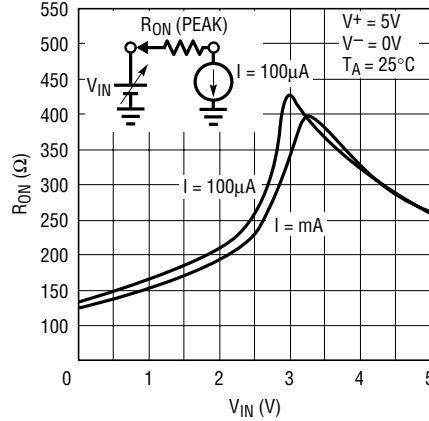
**TYPICAL PERFORMANCE CHARACTERISTICS** (Test Circuits 2 through 4)

**Power Supply Current vs Power Supply Voltage**



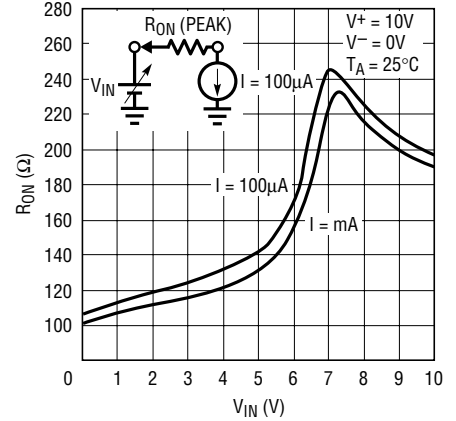
6943 TPC01

**$R_{ON}$  vs  $V_{IN}$**



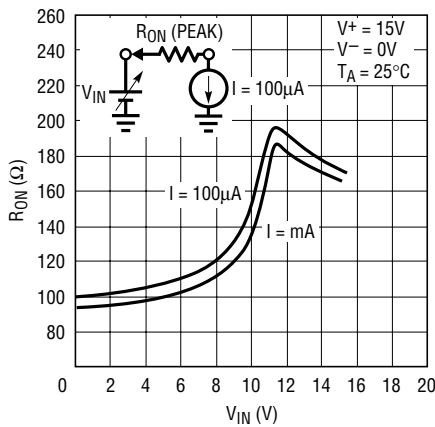
LTC1043 • TPC02

**$R_{ON}$  vs  $V_{IN}$**



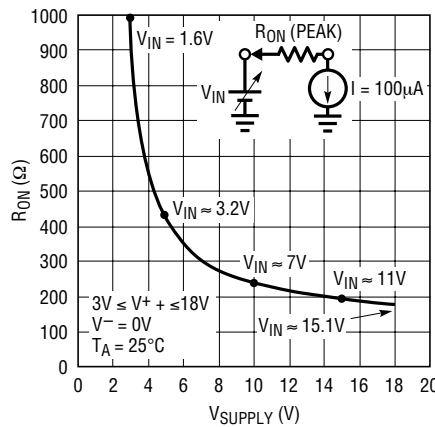
LTC1043 • TPC03

**$R_{ON}$  vs  $V_{IN}$**



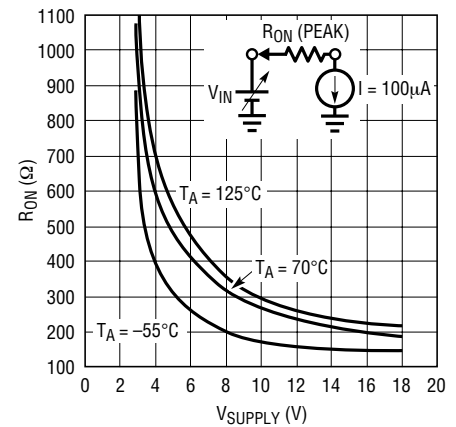
LTC1043 • TPC04

**$R_{ON}$  (Peak) vs Power Supply Voltage**



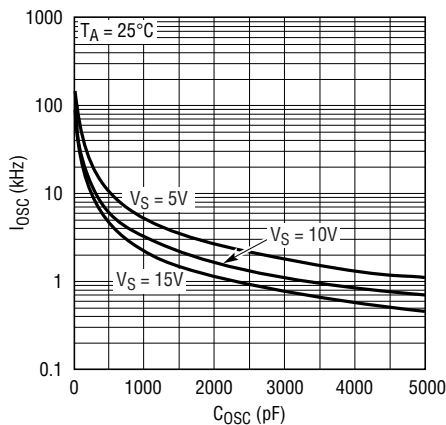
LTC1043 • TPC05

**$R_{ON}$  (Peak) vs Power Supply Voltage and Temperature**



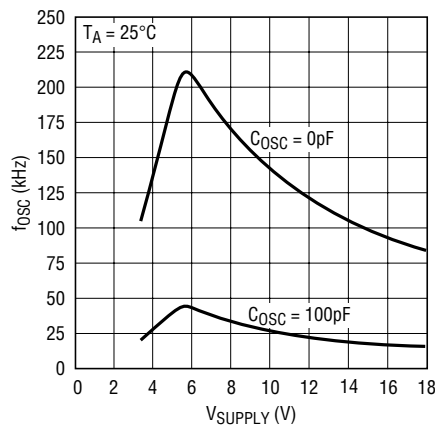
LTC1043 • TPC06

**Oscillator Frequency,  $f_{OSC}$  vs  $C_{OSC}$**



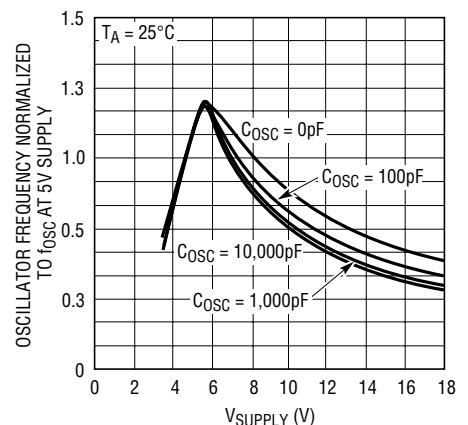
6943 TPC07

**Oscillator Frequency,  $f_{OSC}$  vs Supply Voltage**



6943 TPC08

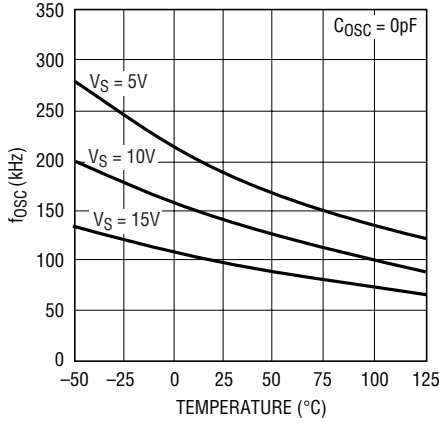
**Normalized Oscillator Frequency,  $f_{OSC}$  vs Supply Voltage**



6943 TPC09

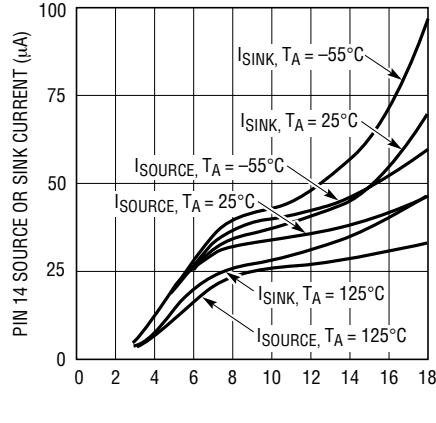
**TYPICAL PERFORMANCE CHARACTERISTICS** (Test Circuits 2 through 4)

**Oscillator Frequency,  $f_{osc}$  vs Ambient Temperature**



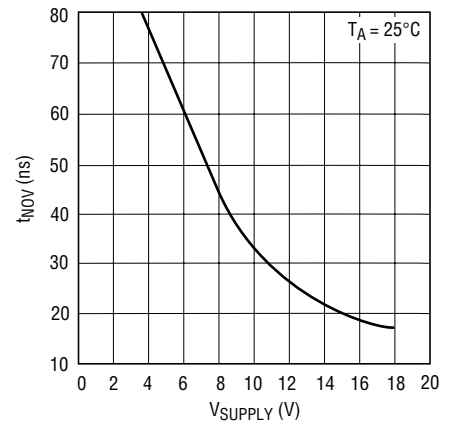
6943 TPC10

**C<sub>osc</sub> Pin  $I_{SINK}$ ,  $I_{SOURCE}$  vs Supply Voltage**



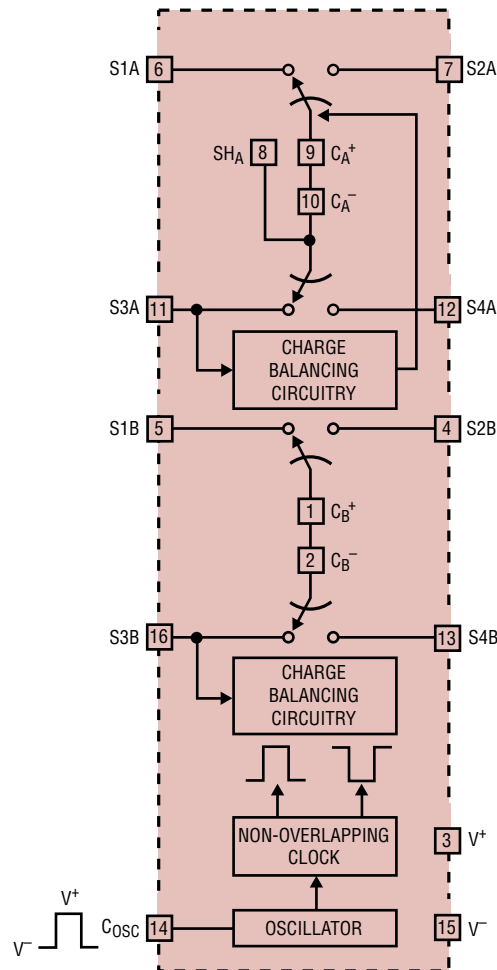
LTC1043 • TPC11

**Break-Before-Make Time,  $t_{NOV}$ , vs Supply Voltage**



LTC1043 • TPC12

**BLOCK DIAGRAM**



THE CHARGE BALANCING CIRCUITRY SAMPLES THE VOLTAGE AT S3 WITH RESPECT TO S4 (PIN 14 HIGH) AND INJECTS A SMALL CHARGE AT THE C<sup>+</sup> PIN (PIN 14 LOW). THIS BOOSTS THE CMRR WHEN THE LTC6943 IS USED AS AN INSTRUMENTATION AMPLIFIER FRONT END. FOR MINIMUM CHARGE INJECTION IN OTHER TYPES OF APPLICATIONS, S3A AND S3B SHOULD BE GROUNDED

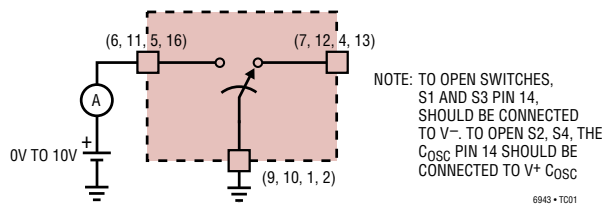
THE SWITCHES ARE TIMED AS SHOWN WITH PIN 14 HIGH

6943 • BD01

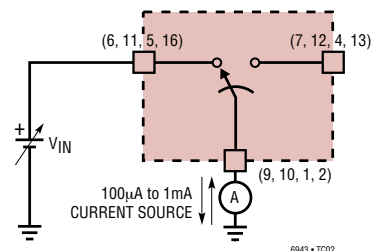
6943f

## TEST CIRCUITS

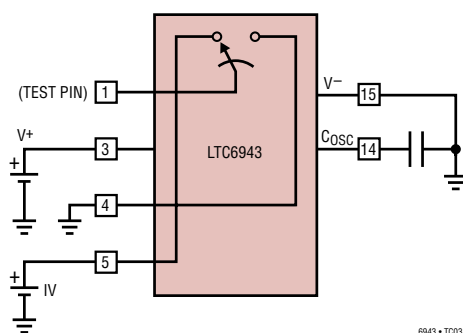
Test Circuit 1. Leakage Current Test



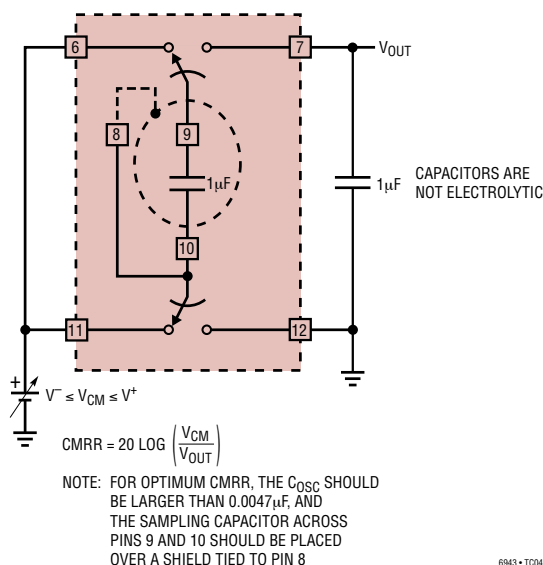
Test Circuit 2. R<sub>ON</sub> Test



Test Circuit 3. Oscillator Frequency, f<sub>OSC</sub>



Test Circuit 4. CMRR Test



## APPLICATIONS INFORMATION

### Common Mode Rejection Ratio (CMRR)

The LTC6943, when used as a differential to single-ended converter rejects common mode signals and preserves differential voltages (Figure 1). Unlike other techniques, the LTC6943's CMRR does not degrade with increasing common mode voltage frequency. During the sampling mode, the impedance of Pins 1, 2 (and 9, 10) should be balanced, otherwise, common mode signals will appear differentially. The value of the CMRR depends on the value of the sampling and holding capacitors (C<sub>S</sub>, C<sub>H</sub>) and on the sampling frequency. Since the common mode voltages are not sampled, the common mode signal frequency can well exceed the sampling frequency without experiencing aliasing phenomena. The CMRR of Figure 1 is measured by shorting Pins 6 and 11 and by observing, with a

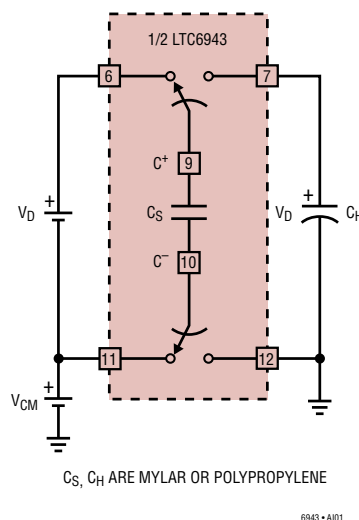


Figure 1. Differential to Single-Ended Converter

## APPLICATIONS INFORMATION

precision DVM, the change of the voltage across  $C_H$  with respect to an input CM voltage variation. During the sampling and holding mode, charges are being transferred and minute voltage transients will appear across the holding capacitor. Although the  $R_{ON}$  on the switches is low enough to allow fast settling, as the sampling frequency increases, the rate of charge transfer increases and the average voltage measured with a DVM across it will increase proportionally; this causes the CMRR of the sampled data system, as seen by a “continuous” instrument (DVM), to decrease (Figure 2).

### Switch Charge Injection

Figure 3 shows one out of the eight switches of the LTC6943, configured as a basic sample-and-hold circuit. When the switch opens, a “hold step” is observed and its magnitude depends on the value of the input voltage. Figure 4 shows charge injected into the hold capacitor. For instance, a  $2\text{pC}$  of charge injected into a  $0.01\mu\text{F}$  capacitor causes a  $200\mu\text{V}$  hold step. As shown in Figure 4, there is a predictable and repeatable charge injection cancellation when the input voltage is close to half the supply voltage of the LTC6943. This is a unique feature of this product, containing charge-balanced switches fabricated with a self-aligning gate CMOS process. Any switch of the LTC6943, when powered with symmetrical dual supplies, will sample-and-hold small signals around ground without any significant error.

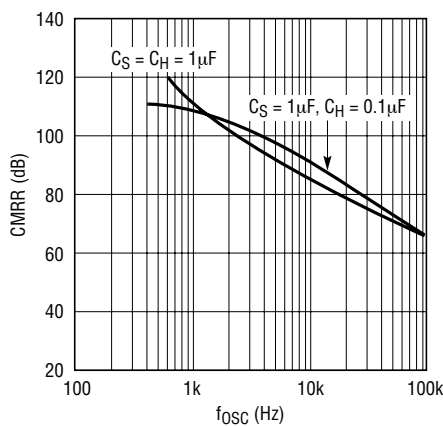


Figure 2. CMRR vs Sampling Frequency

### Shielding the Sampling Capacitor for Very High CMRR

Internal or external parasitic capacitors from the  $C^+$  pin(s) to ground affect the CMRR of the LTC6943 (Figure 1). The common mode error due to the internal junction capacitances of the  $C^+$  Pin(s) 1 and 9 is cancelled through internal circuitry. The  $C^+$  pin, therefore, should be used as the top plate of the sampling capacitor. A shield placed underneath the sampling capacitor and connected to  $C^-$  helps to boost the CMRR to 120dB (Figure 5).

Excessive external parasitic capacitance between the  $C^-$  pins and ground indirectly degrades CMRR; this becomes visible especially when the LTC6943 is used with clock frequencies above 2kHz. Because of this, if a shield is used, the parasitic capacitance between the shield and circuit ground should be minimized.

It is recommended that the outer plate of the sampling capacitor be connected to the  $C^-$  pin(s).

### C<sub>OSC</sub> Pin (14)

The  $C_{OSC}$  pin can be used with an external capacitor,  $C_{OSC}$ , connected from Pin 14 to Pin 15, to modify the internal oscillator frequency. If Pin 16 is floating, the internal 24pF capacitor, plus any external interpin capacitance, set the oscillator frequency around 190kHz with  $\pm 5\text{V}$  supply. The typical performance characteristics curves provide the necessary information to set the oscillator frequency for various power supply ranges. Pin 14 can also be driven with an external CMOS level clock to override the internal oscillator.

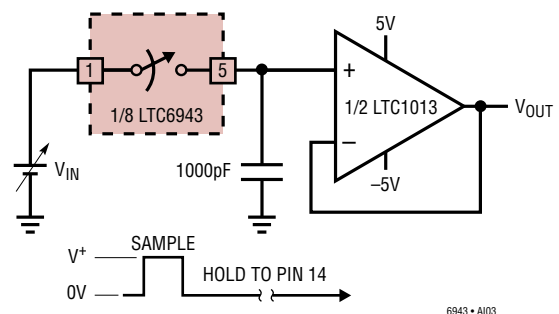


Figure 3

## APPLICATIONS INFORMATION

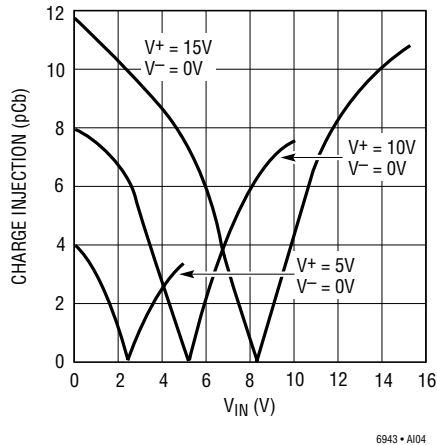


Figure 4. Individual Switch Charge Injection vs Input Voltage

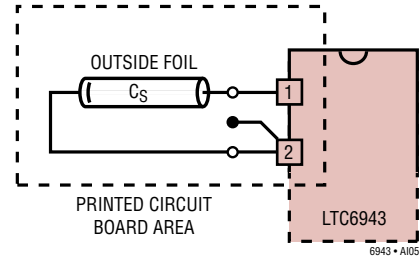
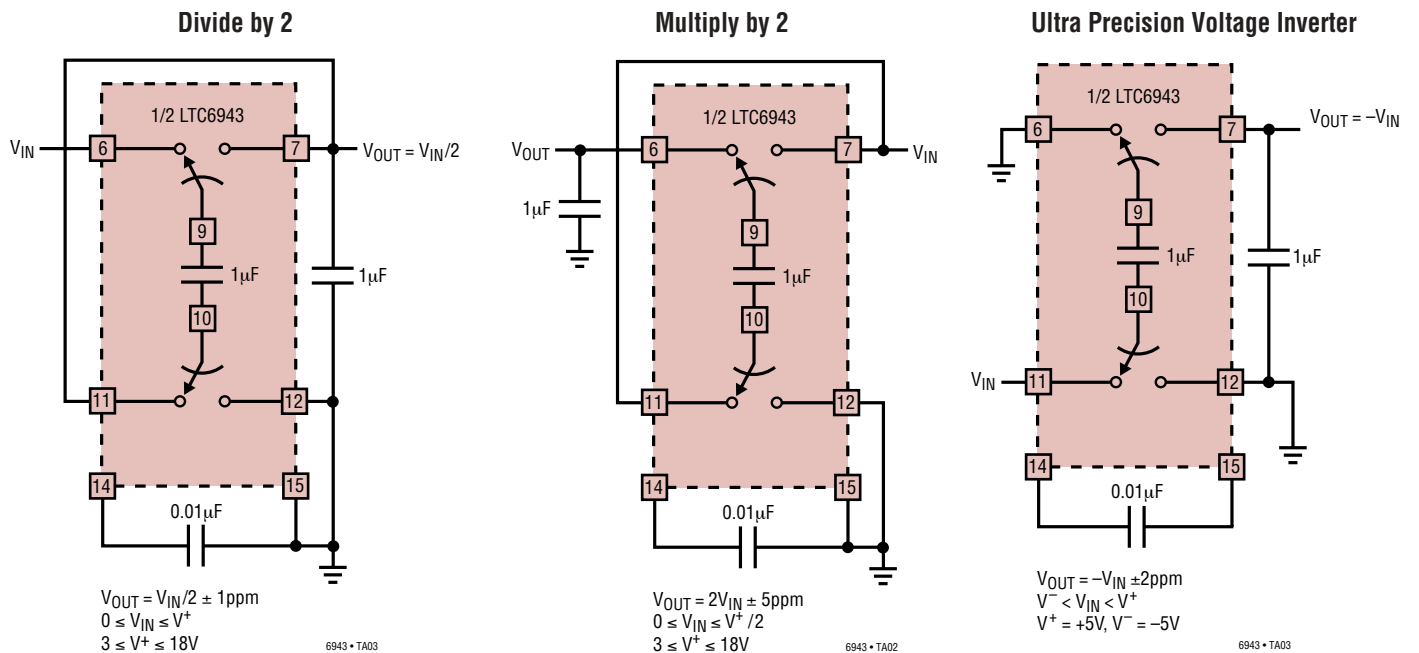


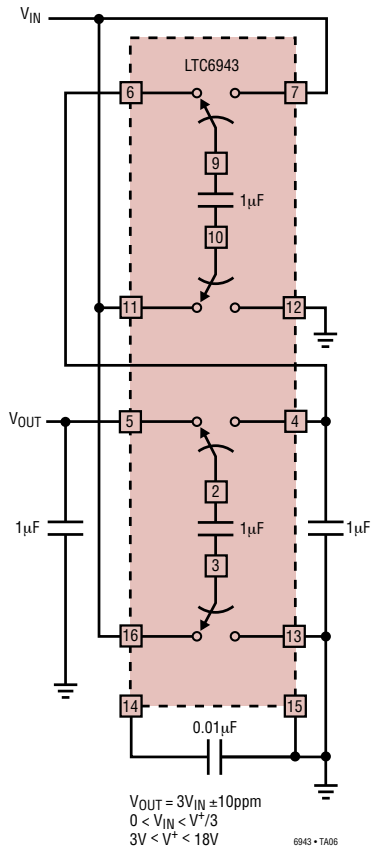
Figure 5. Printed Circuit Board Layout Showing Shielding the Sampling Capacitor

## TYPICAL APPLICATIONS

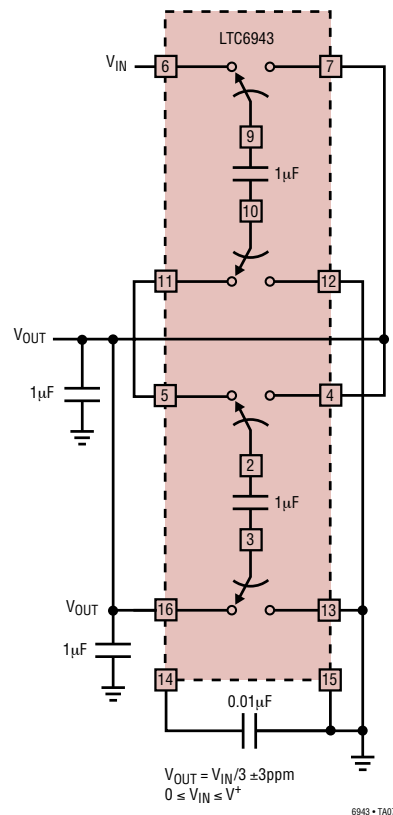


## TYPICAL APPLICATIONS

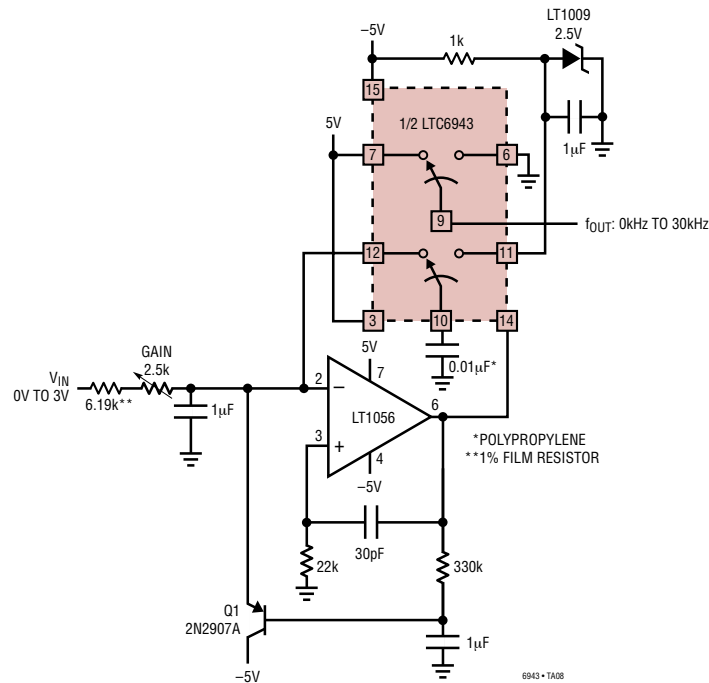
### Precision Multiply by 3



### Divide by 3



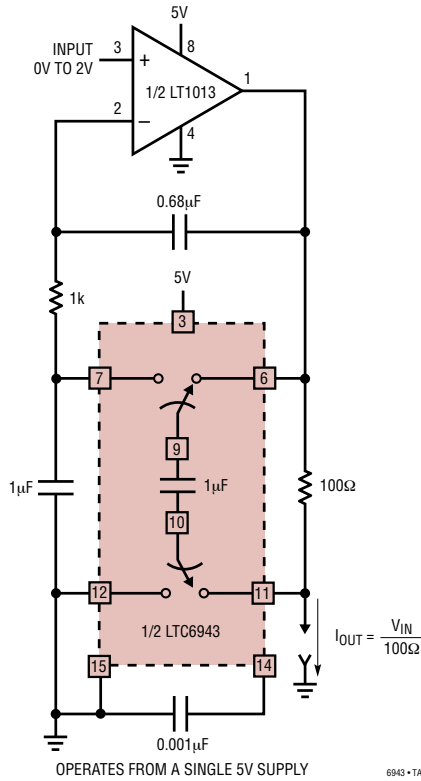
### 0.01% V/F Converter



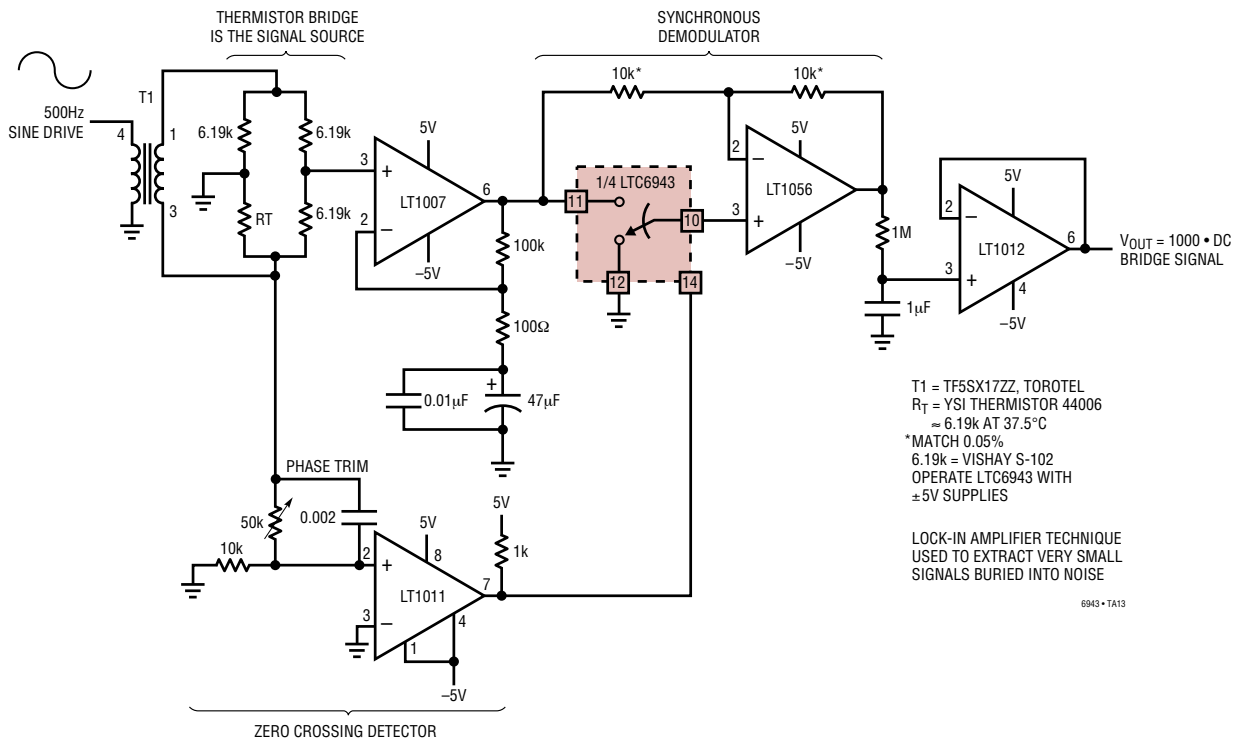


TYPICAL APPLICATIONS

Voltage Controlled Current Source with Ground Referred Input and Output

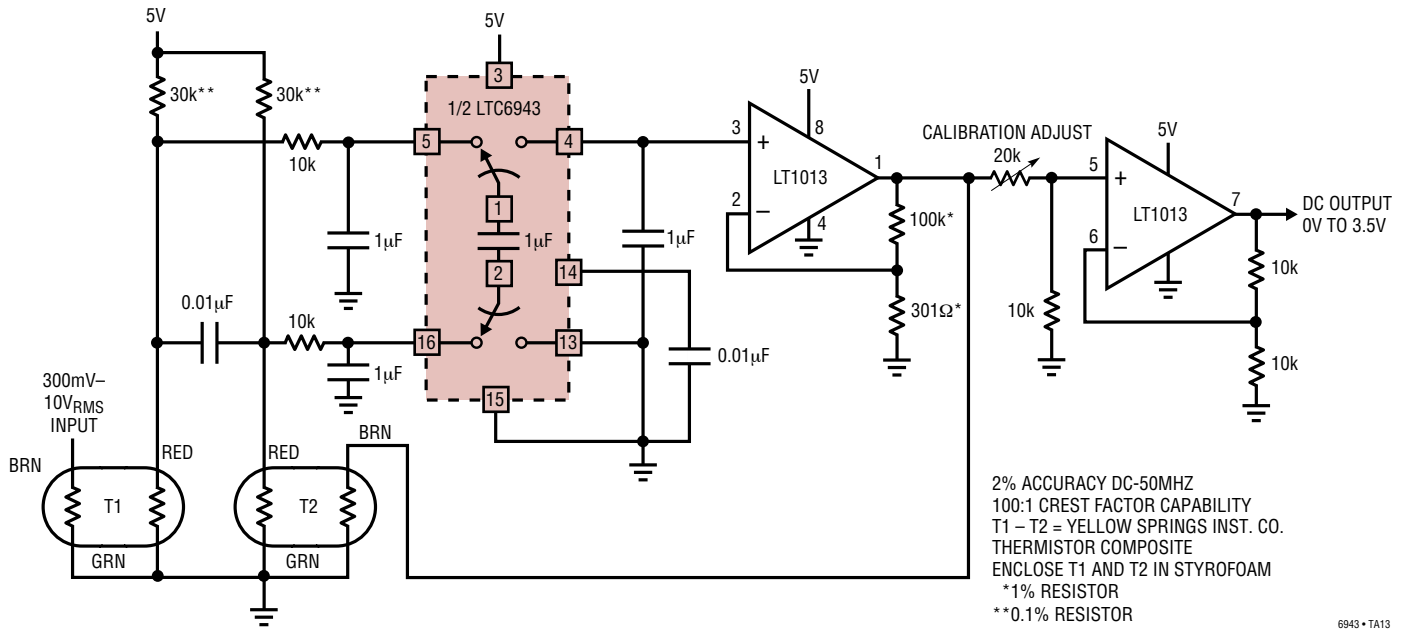


Lock-In Amplifier (= Extremely Narrow-Band Amplifier)



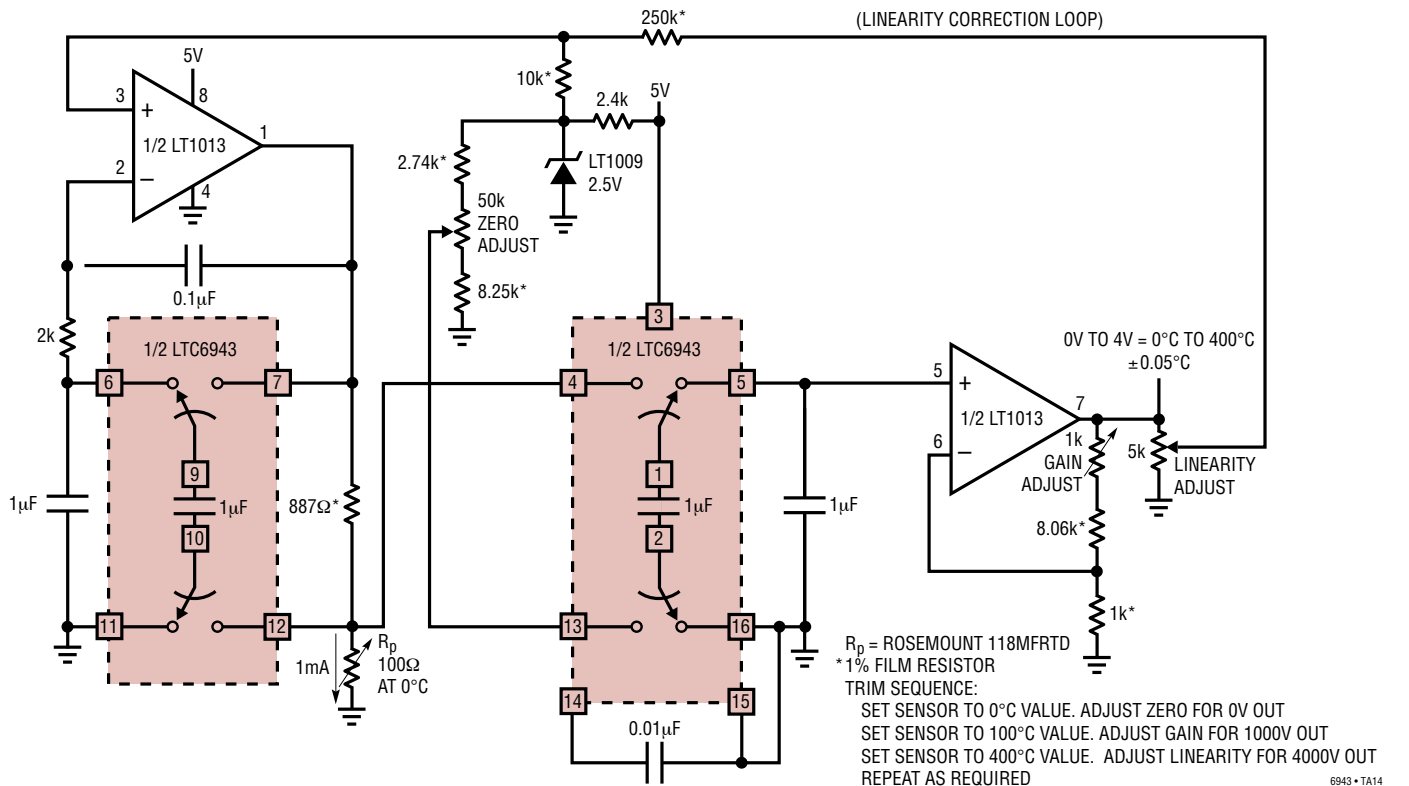
# TYPICAL APPLICATIONS

## 50MHz Thermal RMS/DC Converter



6943 • TA13

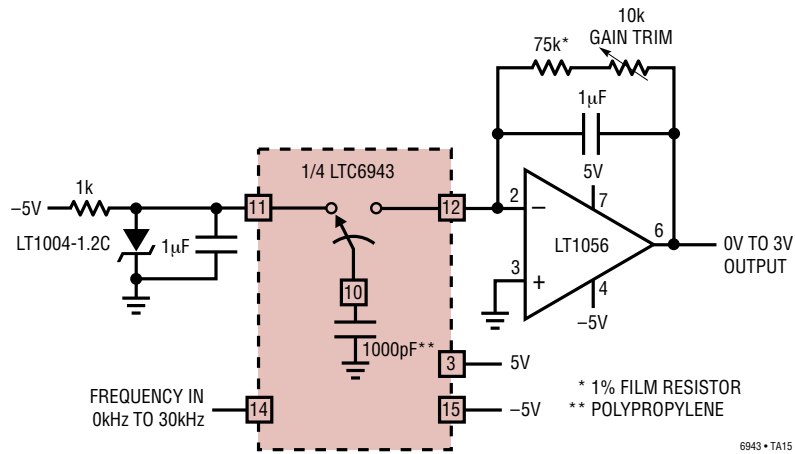
## Single Supply Precision Linearized Platinum RTD Signal Conditioner



6943 • TA14

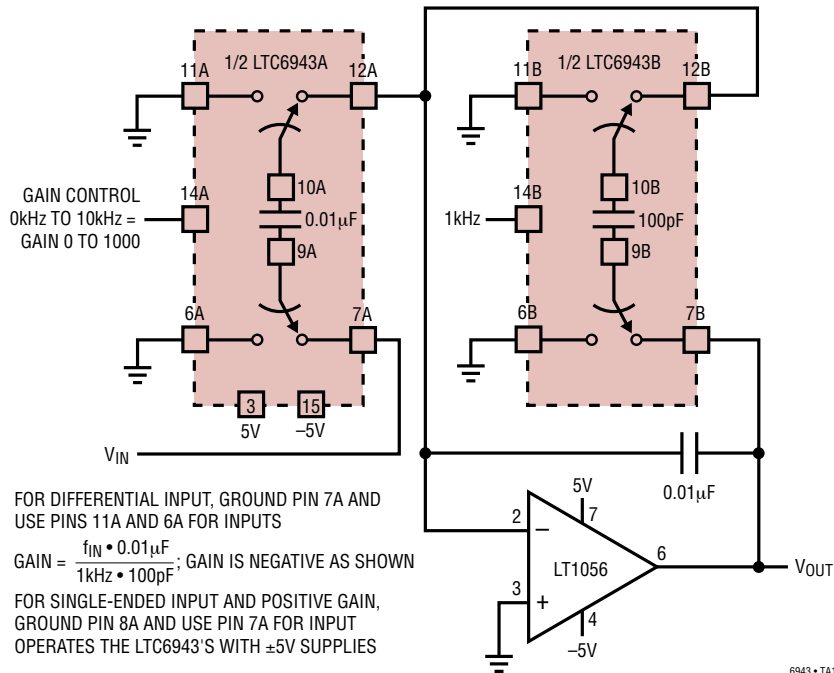
TYPICAL APPLICATIONS

0.01% F/V Converter



6943 • TA15

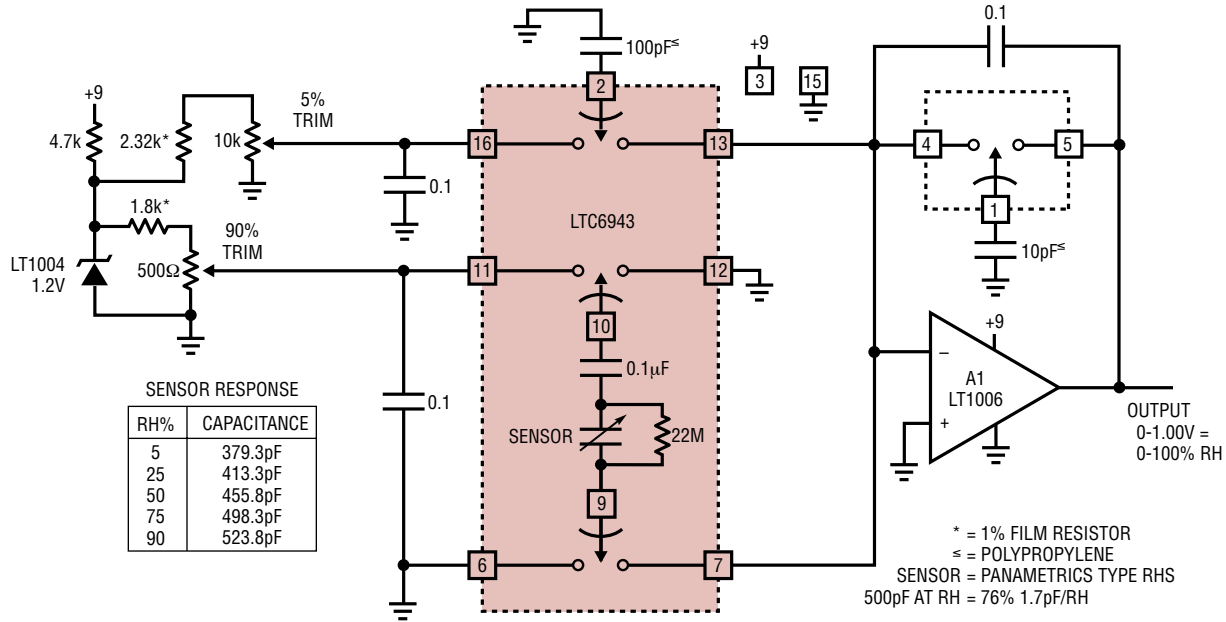
Frequency-Controlled Gain Amplifier



6943 • TA16

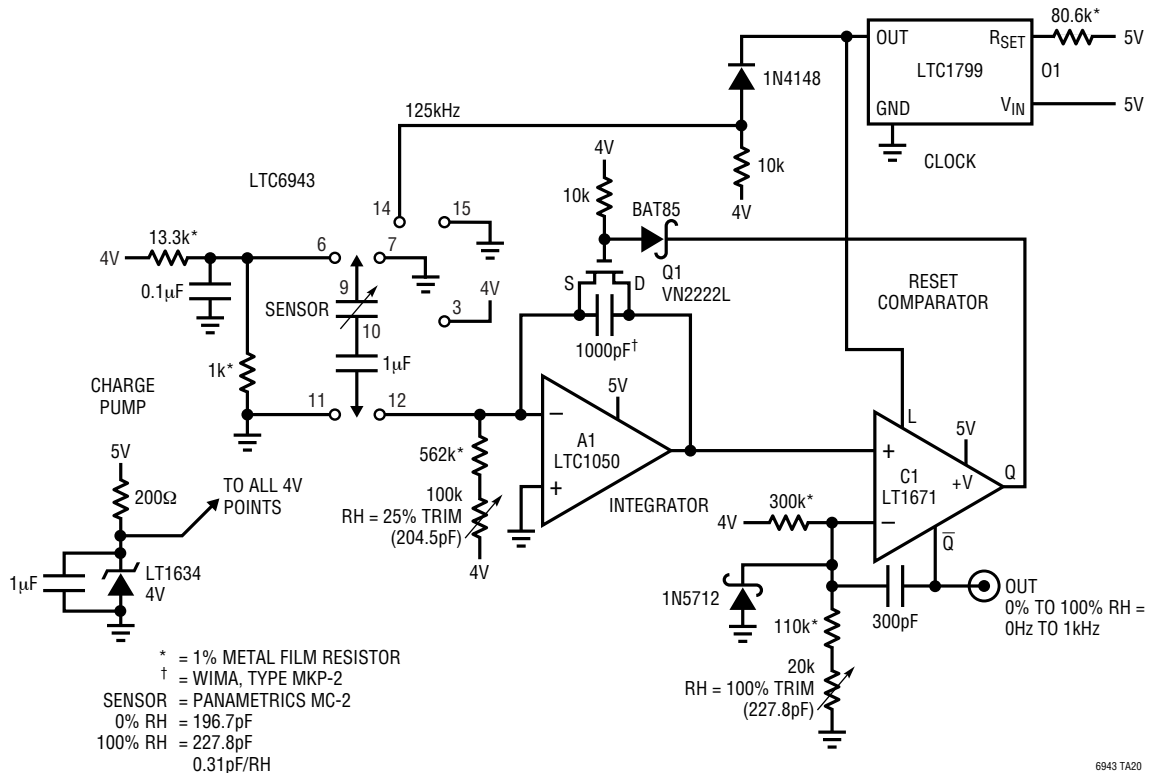
# TYPICAL APPLICATIONS

### Battery Powered Relative Humidity Sensor Signal Conditioner



6943 TA17

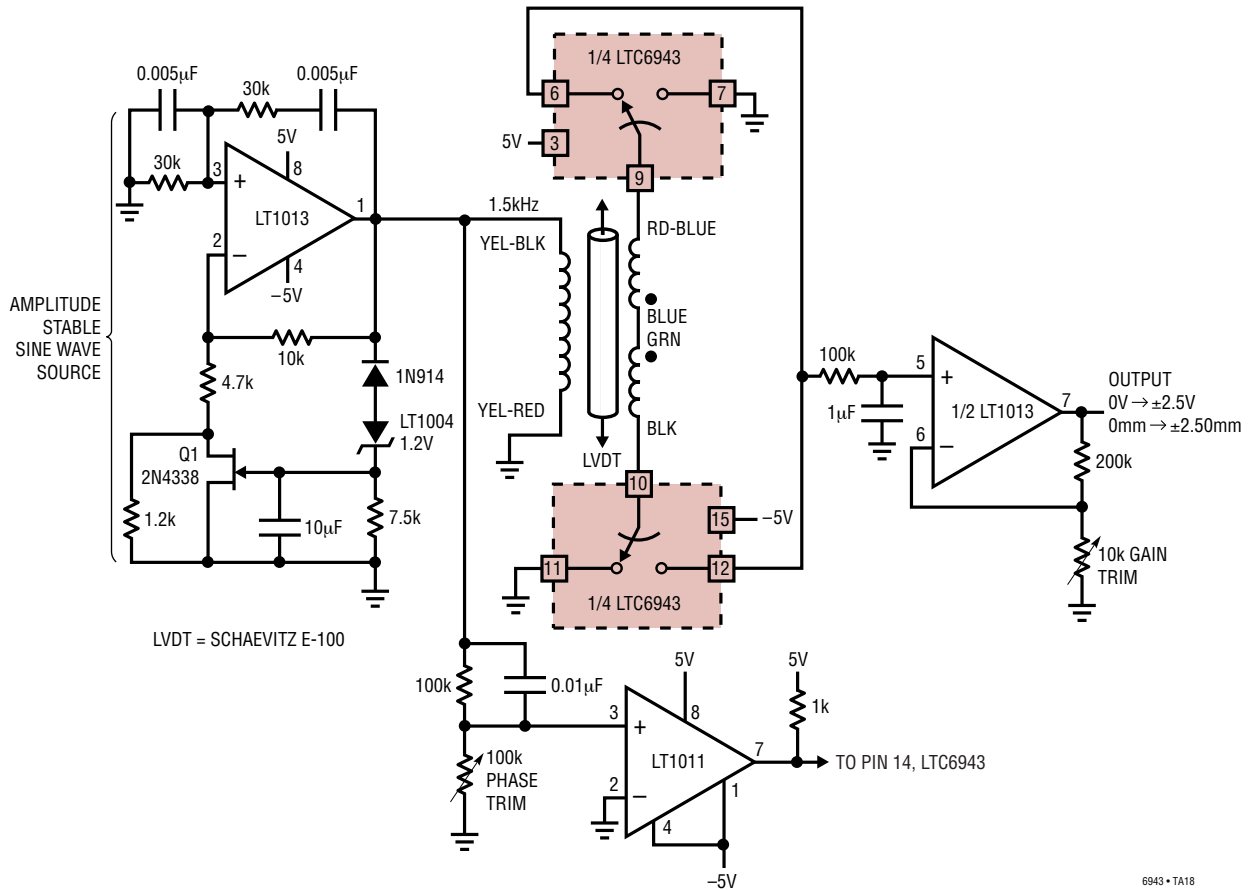
### 5V Powered, Frequency Output, Relative Humidity Sensor Signal Conditioner



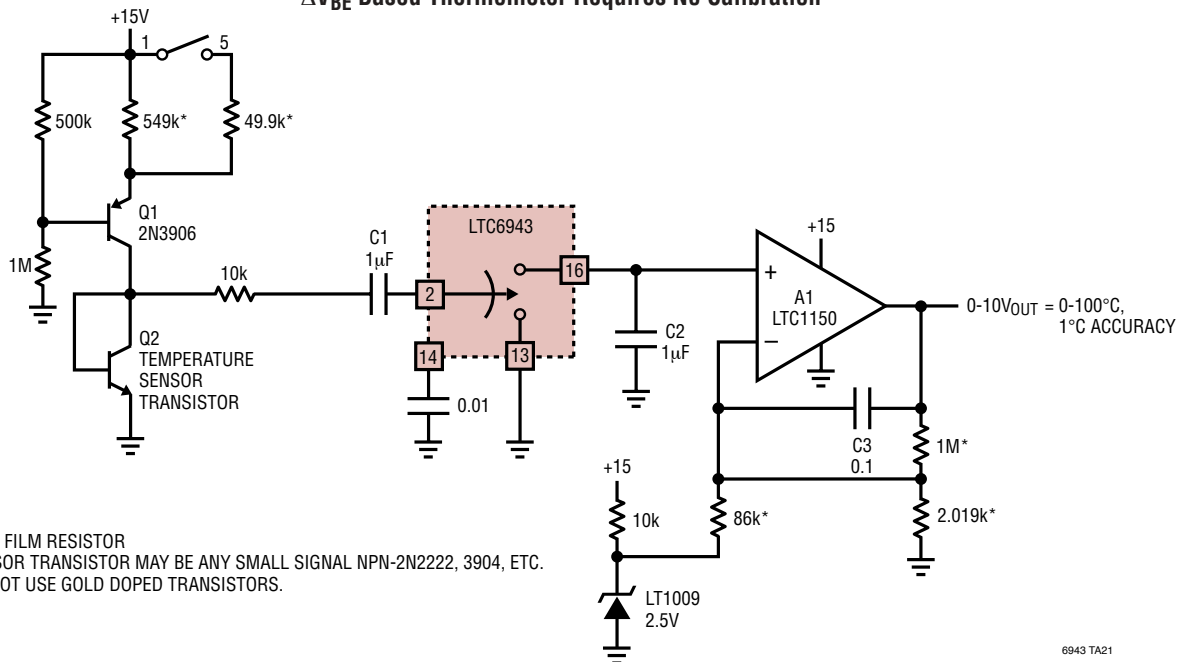
6943 TA20

TYPICAL APPLICATIONS

Linear Variable Differential Transformer (LVDT), Signal Conditioner

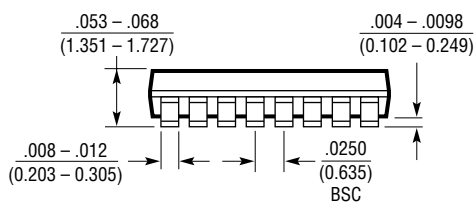
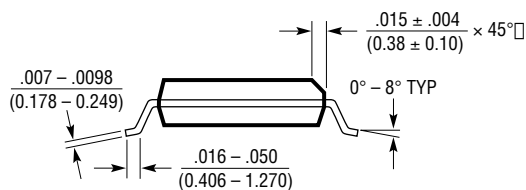
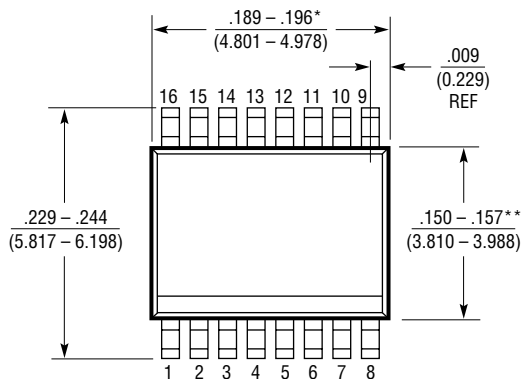
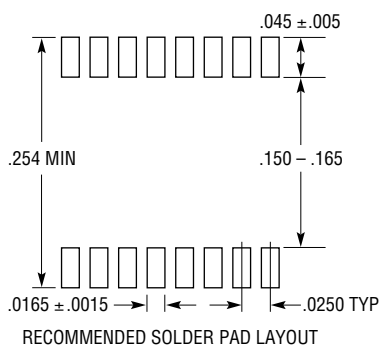


$\Delta V_{BE}$  Based Thermometer Requires No Calibration



# PACKAGE DESCRIPTION

## GN Package 16-Lead Plastic SSOP (Narrow .150 Inch) (Reference LTC DWG # 05-08-1641)



NOTE:

1. CONTROLLING DIMENSION: INCHES
2. DIMENSIONS ARE IN  $\frac{\text{INCHES}}{\text{MILLIMETERS}}$
3. DRAWING NOT TO SCALE

\*DIMENSION DOES NOT INCLUDE MOLD FLASH. MOLD FLASH SHALL NOT EXCEED 0.006" (0.152mm) PER SIDE



\*\*DIMENSION DOES NOT INCLUDE INTERLEAD FLASH. INTERLEAD FLASH SHALL NOT EXCEED 0.010" (0.254mm) PER SIDE

GN16 (SSOP) 0502



## Looking for pricing, stock, or lifecycle information?

Click below to explore more details on WIN SOURCE:

-  [View LTC6943CGN#PBF on WIN SOURCE](#)
-  [Analog Devices Inc. Information](#)

## Optimize Your Supply Chain with WIN SOURCE Solutions

-  Global Sourcing Solution
-  Obsolete Management
-  Cost Control Management
-  Shortage Management
-  Alternative Solution
-  Excess Inventory Management