



**THE DATASHEET OF
SI-60062-F**



: 1CT : 1CT± 3%
 : 1CT : 1CT ± 3%
 350uH MIN. @ 0.1V, 100KHz, 8mA DC Bias
 AND J3 (SHORT)
 AND J1 (SHORT)
 TO (J6,J3)
 TO (J2,J1)

: 1.2 ohms Max.
RECEIVE
 : 18dB MIN.
 : 12dB MIN.

DR (J6-J3).
 : 1500 Vrms
 : 1500 Vrms

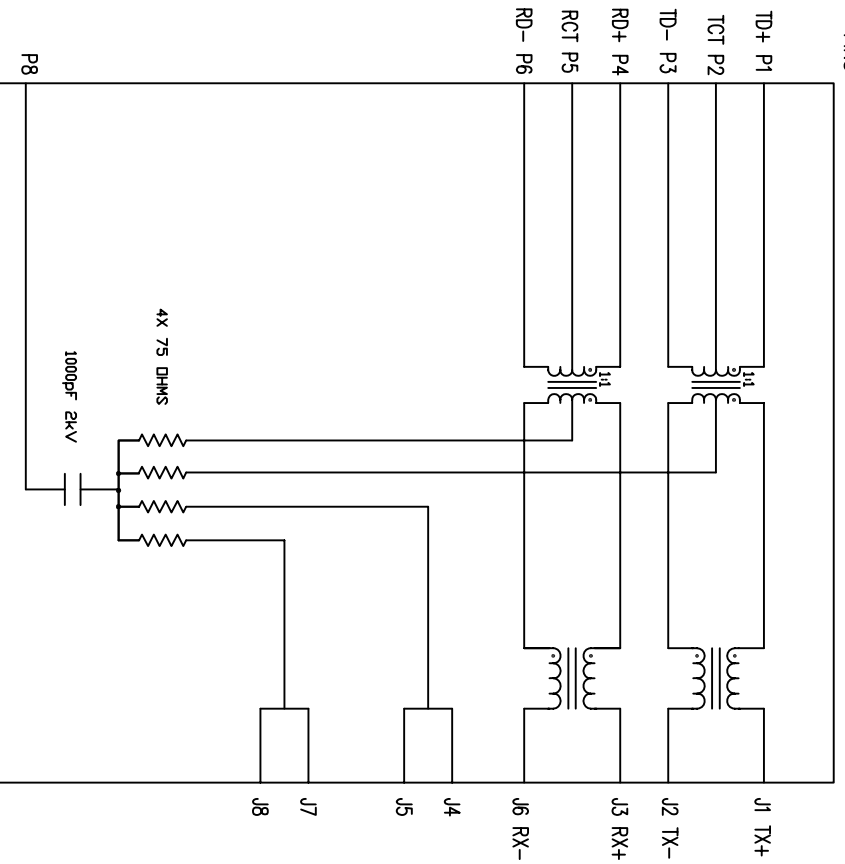
JHMS
 : 1.1 dB TYP
 : 3.0 nS MAX
 : 3.0 nS MAX
 : 40 dB TYP

30MHz TO 100MHz : 35dB TYP

PINS

SCHEMATIC

RJ45



NOTES

1.0 PINS WITHOUT ELECTRICAL CONNECTION ARE OMITTED.

MagJack
 10/100BT
 DOWN, SHIELDED
 PATENTED

PART NO. / DRAWING NO.
SI-60062-F
 FILE NAME
SI-60062-F.DWG

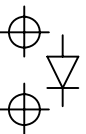
STANDARD DIM.
 TOL. IN INCH
 .X
 .XX
 .XXX

[] METRIC DIM. AS REFERENCE
 UNIT : INCH [mm]
 SCALE : N/A

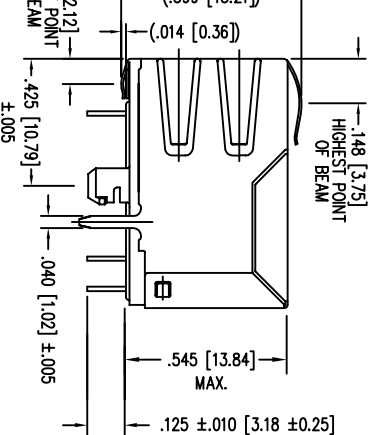
REV. : B0
 SIZE : A4
 PAGE : 2

bel
 COMPONENTS
 CONNECTIVE
 PLANT

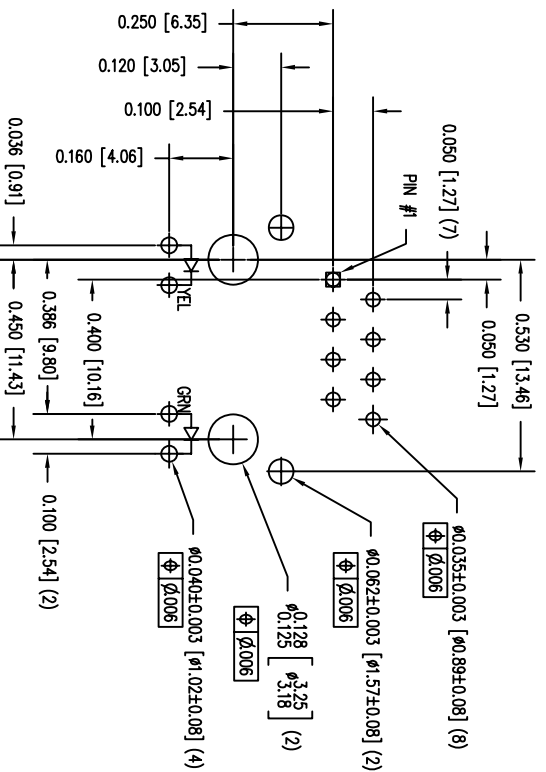
LED POLARITY
(ENLARGED VIEW)



SINGLE COLOR LED



LED SPECIFICATION			
LED WAVELENGTH	Forward V (MAX)	*(TYP)	
565 nm	2.5 V	2.2 V	
590 nm	2.5 V	2.1 V	



P.C.B. RECOMMENDED HOLE LAYOUT
SEEN FROM COMPONENT SIDE
ALL CENTERLINE DIMENSIONS ARE BASIC

NOTES:

1. CONNECTOR MATERIALS:
HOUSING: THERMOPLASTIC UL94 V-0
CONTACT/SHIELD: COPPER ALLOY
SHIELD PLATING: NICKEL OR TIN
CONTACT PLATING: SELECTIVE GOLD,
50 MICRO-INCHES MIN. IN CONTACT AREA.
2. PIN NOT ELECTRICALLY CONNECTED MAYBE OMITTED.
SEE ELECTRICAL DRAWING FOR OMITTED PINS.
3. TOLERANCES COMPLY WITH F.C.C. DIMENSION REQUIREMENTS.
4. ALL TOLERANCES NOT OTHERWISE SPECIFIED TO BE ±.005 [0.13]
5. WAVE SOLDER COMPATIBLE - PREHEAT 125°C/90SECS.

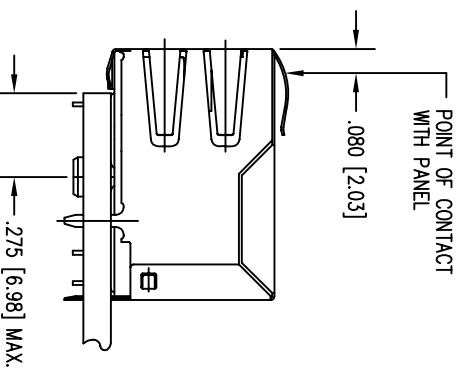
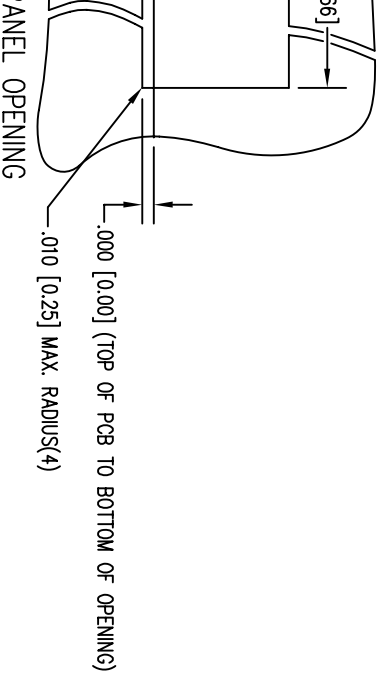
MagJack
10/100BT
DOWN, SHIELDED
PATENTED

PART NO. / DRAWING NO.	
SI-60062-F	
FILE NAME	SI-60062-F.DWG

STANDARD DIM. TOL. IN INCH	
X	
XX	
XXX	±0.005

[] METRIC DIM. AS REFERENCE	
UNIT : INCH [mm]	
SCALE : N/A	

REV. :	
REV. :	B0
SIZE :	A4
PAGE :	3



1. THE SUGGESTED PANEL OPENING IS INTENDED TO GIVE THE USER THE ABILITY TO HAVE REASONABLE JACK / PANEL CLEARANCES YET MAINTAIN RELIABLE GROUNDING CAPABILITY.
2. ALL TOLERANCES NOT OTHERWISE SPECIFIED TO BE ±.005 [0.13]

MagJack
10/100BT
DOWN, SHIELDED
PATENTED

PART NO. / DRAWING NO.
SI-60062-F

FILE NAME
SI-60062-F.DWG

STANDARD DIM.
TOL. IN INCH



.X	
.XX	
.XXX	±0.005

[] METRIC DIM. AS REFERENCE

UNIT : INCH [mm]	REV. : B0
SCALE : N/A	SIZE : A4
	PAGE : 4

Looking for pricing, stock, or lifecycle information?

Click below to explore more details on WIN SOURCE:

-  [View SI-60062-F on WIN SOURCE](#)
-  [Bel Fuse Inc. Information](#)

Optimize Your Supply Chain with WIN SOURCE Solutions

-  Global Sourcing Solution
-  Obsolete Management
-  Cost Control Management
-  Shortage Management
-  Alternative Solution
-  Excess Inventory Management