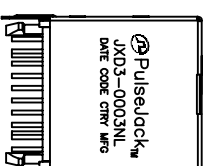
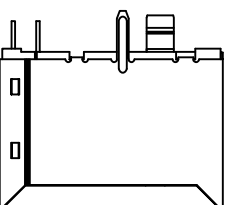
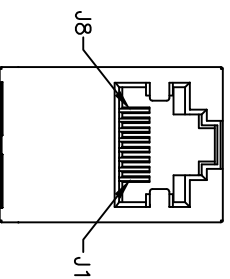




**THE DATASHEET OF  
JXD3-0003NL**

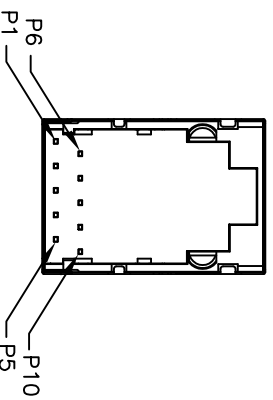


CRO-INCHS MIN  
 OMITTED SEE  
 AND REGULATION  
 SOLDERING IS



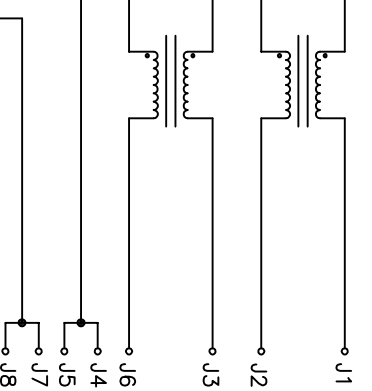
5°C.  
C.

1200 PCS/BOX.



All rights reserved. Pulse confidential & proprietary. (05/14/15)

TLA DRAWING	PS DRAWING	SHEET	PART NO.	DATASHEET REV.
XD3-0003NL-X1	-	1 OF 5	JXD3-0003NL	C

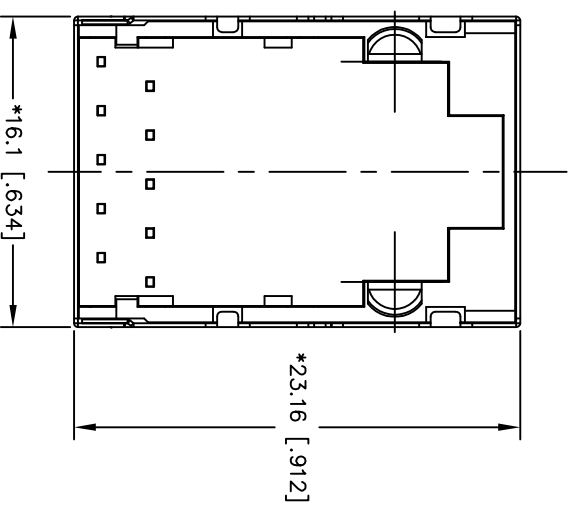
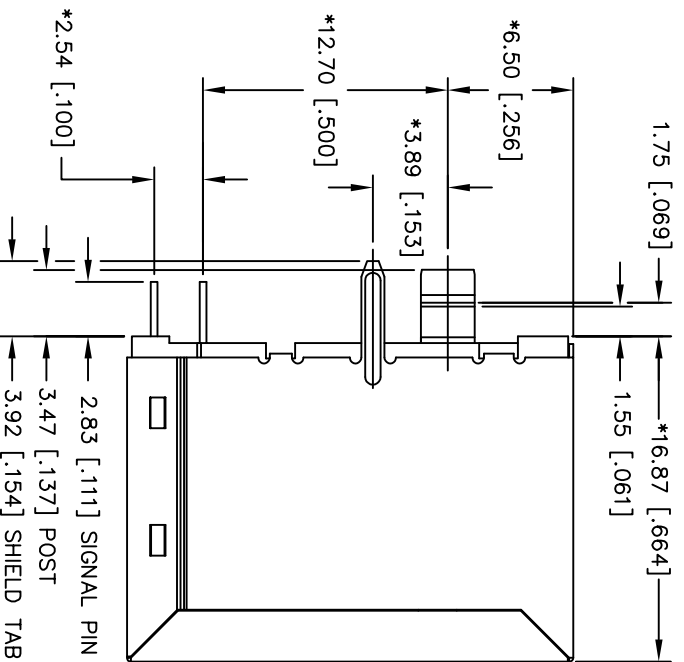


ELECTRONICAL SPECIFICATIONS:

- 1.0 TURN RATIO @100KHZ: (P1~P2):(J1~J2) = 1:1±5%  
(P3~P5):(J3~J6) = 1:1±5%
- 2.0 PRIMARY INDUCTANCE: 350uH MIN @100KHZ, 0.1V 8mA DC BIAS
- 3.0 DC RESISTANCE: (J1~J2):(J3~J6) 1.2 OHMS MAX
- 4.0 INSERTION LOSS: 1~100MHZ -1.2dB MAX
- 5.0 RETURN LOSS: 1~30MHZ -16dB MIN  
30~60MHZ -12dB MIN  
60~80MHZ -10dB MIN
- 6.0 CROSS TALK: 1~100MHZ -30dB MIN
- 7.0 COMMON TO COMMON MODE ATTENUATION: 1~100MHZ -30dB MIN
- 8.0 ISOLATION: PHY SIDE TO LINE SIDE: 500VAC
- 9.0 DC CURRENT/VOLTAGE RATING-PSE PINS: 350mA @57V(CONTINUOUS)

All rights reserved. Pulse confidential & proprietary. (05/14/15)

TLA DRAWING	PS DRAWING	SHEET	PART NO.	DATASHEET REV.
XD3-0003NL-X1	-	2 OF 5	JXD3-0003NL	C

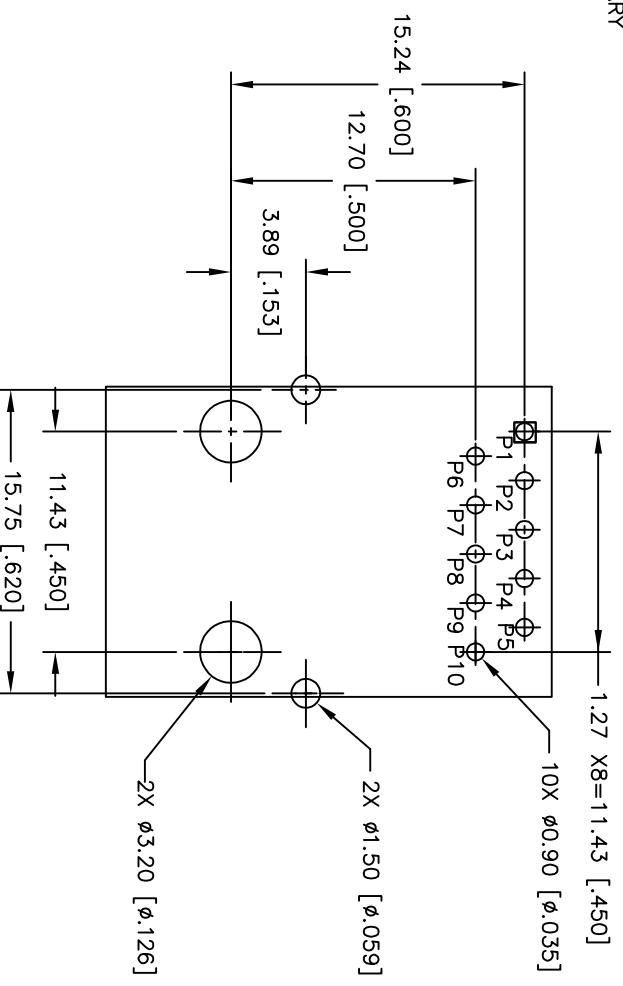
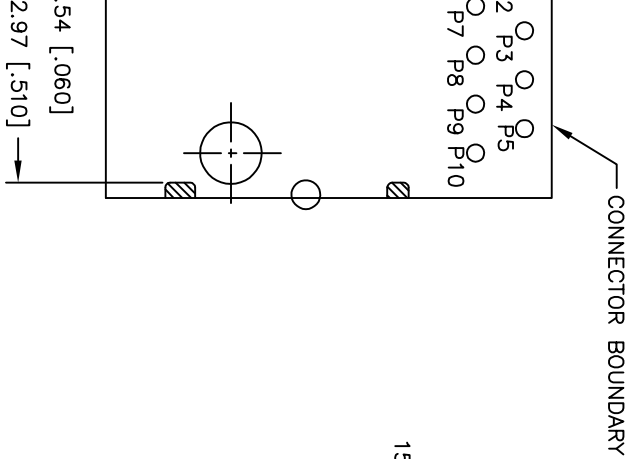


WITH THE FOLLOWING  
DE ONLY.

All rights reserved. Pulse confidential & proprietary. (05/14/15)

TLA DRAWING	PS DRAWING	SHEET	PART NO.	DATASHEET REV.
XD3-0003NL-X1	-	3 OF 5	JXD3-0003NL	C

SFFI ELECTRONICS.COM(Asia) PHONE:USA:858 674 8100, GERMANY:49 7032 78060, SINGAPORE:65 6287 8998, SHANGHAI:86 21 62787060, TAIWAN:886 3 4356768



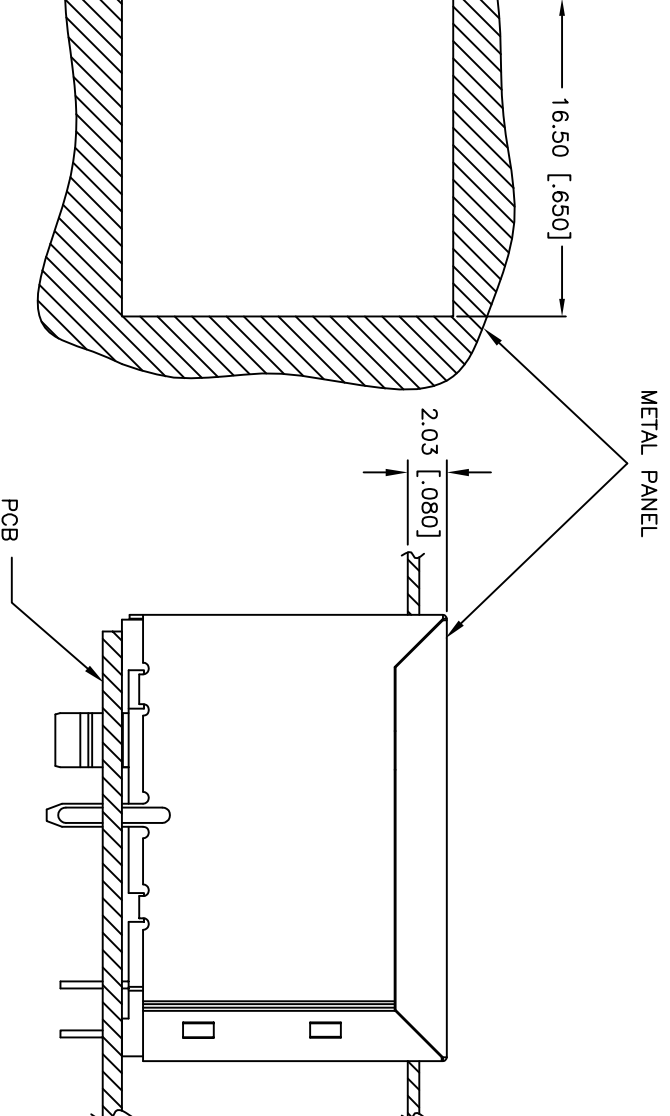
COMPONENT SIDE SHOWN)

RECOMMENDED PWB LAYOUT  
(COMPONENT SIDE SHOWN)

WITH THE FOLLOWING  
ANCE ONLY.

All rights reserved. Pulse confidential & proprietary. (05/14/15)

TLA DRAWING	PS DRAWING	SHEET	PART NO.	DATASHEET REV.
XD3-0003NL-X1	-	4 OF 5	JXD3-0003NL	C



SUGGESTED PANEL CUTOUT



WITH THE FOLLOWING  
 NCE ONLY.

All rights reserved. Pulse confidential & proprietary. (05/14/15)

TLA DRAWING	PS DRAWING	SHEET	PART NO.	DATASHEET REV.
XD3-0003NL-X1	-	5 OF 5	JXD3-0003NL	C

## Looking for pricing, stock, or lifecycle information?

Click below to explore more details on WIN SOURCE:

-  [View JXD3-0003NL on WIN SOURCE](#)
-  [Pulse Information](#)

## Optimize Your Supply Chain with WIN SOURCE Solutions

-  Global Sourcing Solution
-  Obsolete Management
-  Cost Control Management
-  Shortage Management
-  Alternative Solution
-  Excess Inventory Management