

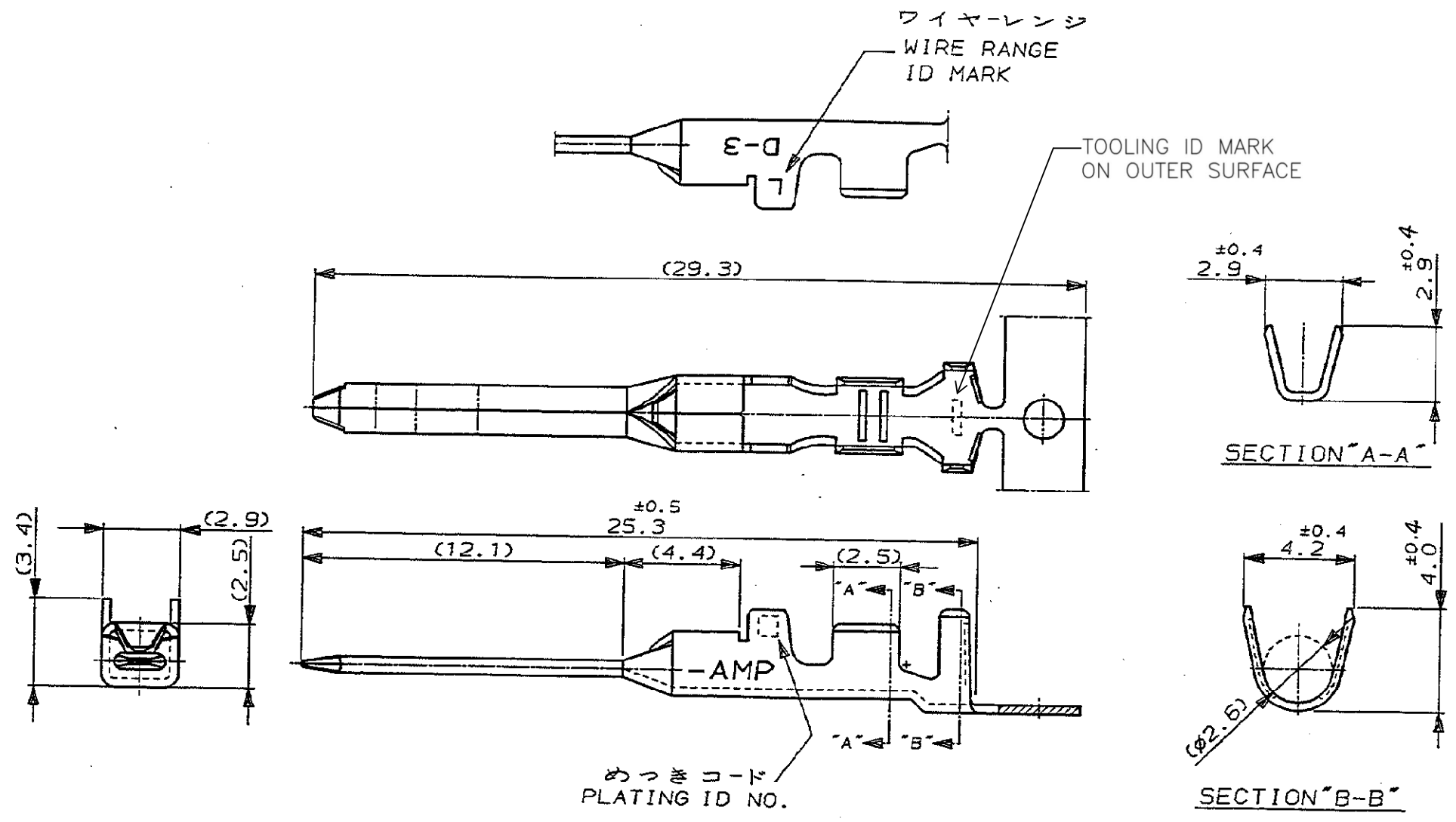


THE DATASHEET OF
175286-2



NUMBER C-175286
 METRIC
 三 角 法 (3rd ANGLE PROJECTION)

U. 855-1117>U. DWG>S. C69-25173 WAS 91-25168-12, 14, 15
 単位: mm DIMENSIONS IN MM. DO NOT SCALE PRINT



注記
 ▲ 金めっきは接触部のみとする

NOTE
 ▲ GOLD-PL. CONTACT AREA ONLY

5	光沢錫めっき (BRIGHT TIN-PL.)	-5
3	▲ 0.76µm最小金めっき (0.76µmMIN. Au-PL.)	-3
2	▲ 0.38µm最小金めっき (0.38µmMIN. Au-PL.)	175286-2
めっきコード (PL. ID NO.)	仕上 (FINISH)	型番 (P/N)

R REVISED PER ECR-15-011723 Y.O. E.T. 10AUG 2015		P REVISED PER ECO-11-005294 RK HMR 13APR 11		LTR 変更 (REVISION RECORD) DR CHK DATE	
材料 (MATERIAL) (COPPER ALLOY) 銅合金		仕上 (FINISH) (SEE TABLE) 表参照		名称 (NAME) "L" SIZE (DYNAMIC D-3 SERIES TAB. CONTACT) ダイナミック D-3シリーズタブコンタクト	
AWG 20-16		1.8-2.8 mmφ		一般公差 (GENERAL TOLERANCE)	
2 MAR 92 N. Matsubara		2 MAR 92 N. Matsubara		SIZE B J	LOC J
4 MAR '92 H. Shige		5-MAR-'92 S. MAIYABE		10mm以下: ±0.2	10mm以上 30mm以下: ±0.25
				30mm以上 100mm以下: ±0.3	100mm以上: ±0.5
				角度: ±3°	尺度 (SCALE) 5-1
				REV. R	SHEET 1 OF 1



Mouser Electronics

Authorized Distributor


Click to View Pricing, Inventory, Delivery & Lifecycle Information:

[TE Connectivity:](#)

[175286-2](#)

Looking for pricing, stock, or lifecycle information?

Click below to explore more details on WIN SOURCE:

 [View 175286-2 on WIN SOURCE](#)

 [TE Connectivity](#) Information

Optimize Your Supply Chain with WIN SOURCE Solutions

-  Global Sourcing Solution
-  Obsolete Management
-  Cost Control Management
-  Shortage Management
-  Alternative Solution
-  Excess Inventory Management