



**THE DATASHEET OF
220AMA10R**





Series 220

7x7mm Compact Rotary DIP Switch

- Robust metal bracket design
- Standard through hole and surface mount gull-wing terminal configurations
- Binary coded decimal, Hexadecimal code and Single pole output
- Clockwise or counterclockwise rotation



Ordering Information

Series	Terminal Type	Actuator Height	Number of Positions	Code Format	Packaging Type
220	AM	A	04	C	R

Code	Spec.
AM	Surface mount gull wing
AD	Standard through hole
AH	Standard through hole, right angle

Code	Spec.
A	Flush arrow rotor
B	Knurled, slotted, flatted shaft
C	Knurled, slotted shaft

Code	Spec.
Blank	Real code
C	Complementary code (only available for 16 positions AMA type)

Code	Spec.
04	4 Positions
10	10 Positions
16	16 Positions

Code	Spec.
Blank	Tube packaging only for through hole terminals
R	Tape & reel packaging only for surface mount terminals

* Not all performance combinations and options may be available. Contact local CTS Representative or CTS Customer Service for availability.

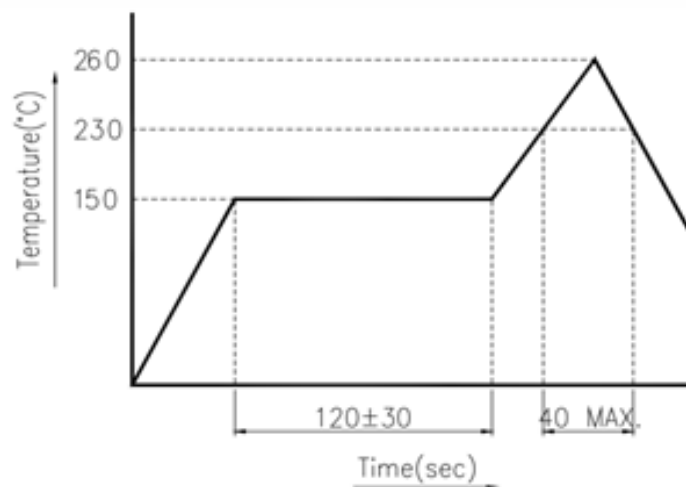
Electrical Specifications

Parameter	Conditions & Remarks	Min	Max	Unit
Output	Binary coded decimal		10	position
	Hexadecimal		16	
	Single pole		4	
Contact Resistance			100	milliohms
Insulation Resistance	Between insulated terminals	1000		megohms
Dielectric Strength	250 Vac between adjacent switches		1	minute
Nonswitching Rating			100	mA
			50	VDC
Load		1 μ A 20m		VDC

Mechanical and Environmental

Soldering	Maximum reflow temperature, 260°C for 5 seconds Maximum wave temperature, 260°C for 10 seconds Maximum manual temperature, 350°C for 4 seconds
RoHS	Lead-Free. Fully compliant to RoHS
Rotational Torque:	40~200 gf-cm
Actuation Life	10,000 steps
Marking:	Special top marking available-consult CTS
Packaging :	Standard anti-static tube packaging for through hole terminal Standard tape and reel packaging for gull wing terminal
Operating Temperature Range	-40°C to +85°C
Storage Temperature Range:	-40°C to +85°C

Soldering Profile



Mechanical Specifications

Figure 1 – 220AM_10, 16R - Surface Mount Gull Wing, 10 and 16 Position

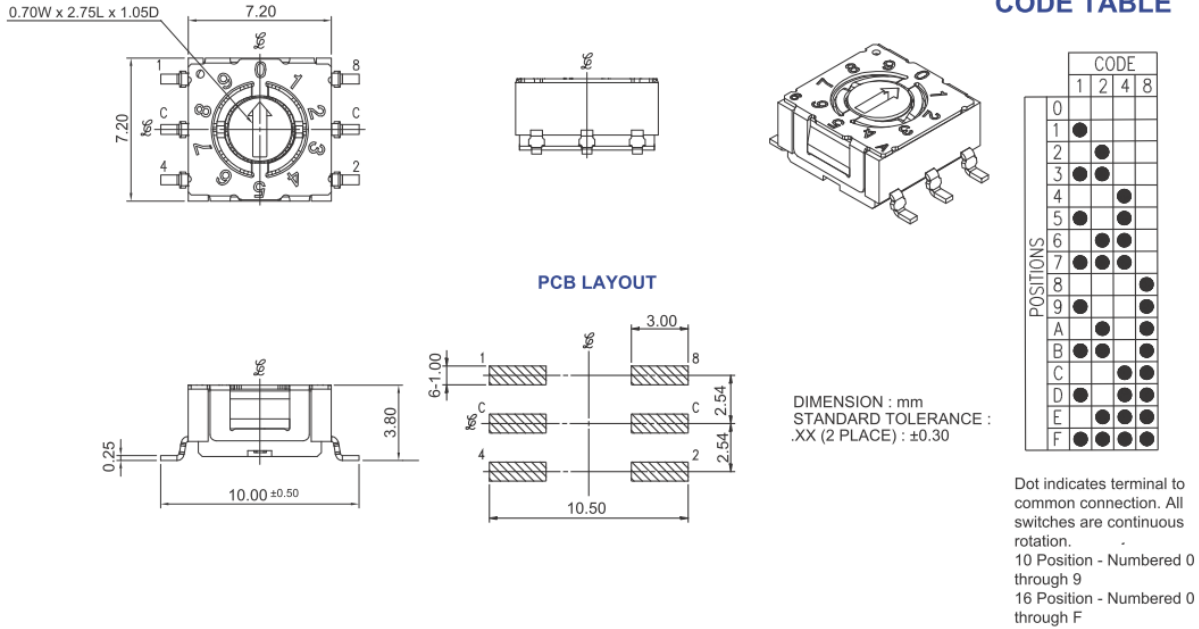


Figure 2 – 220AM_16CR - Surface Mount Gull Wing, 16 Position, Complementary code.

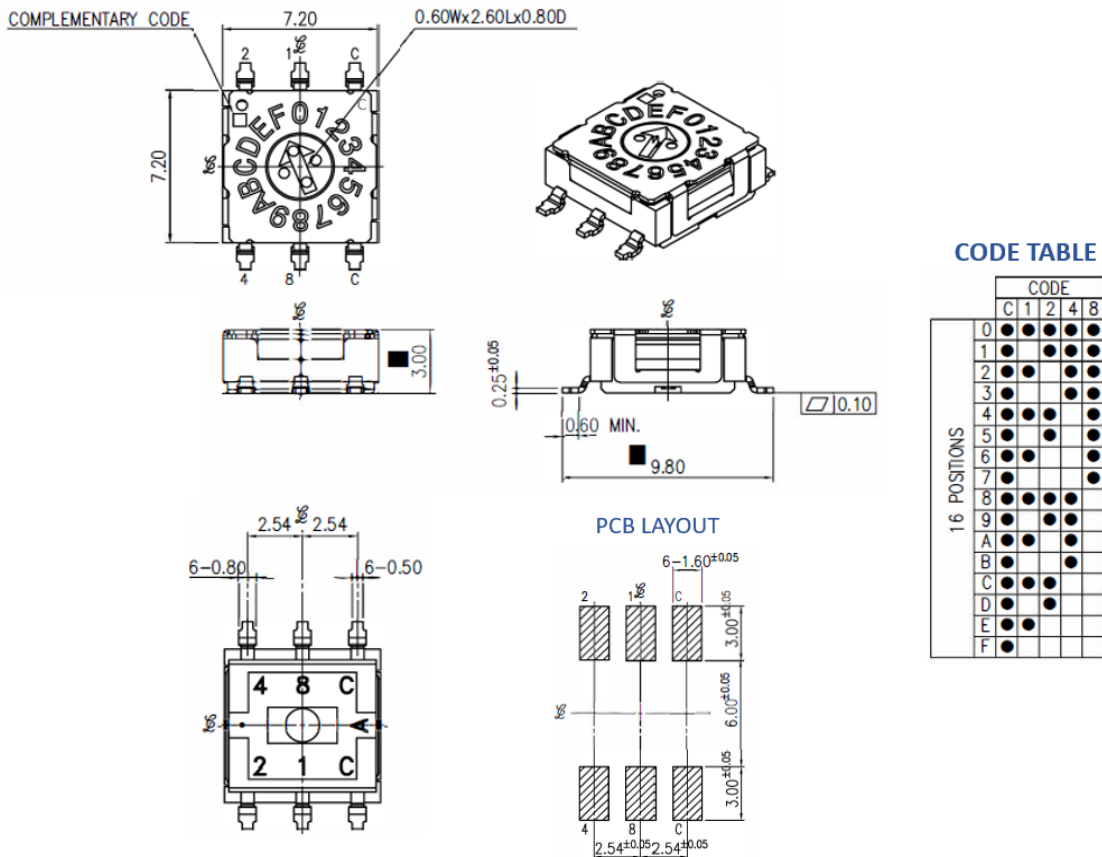
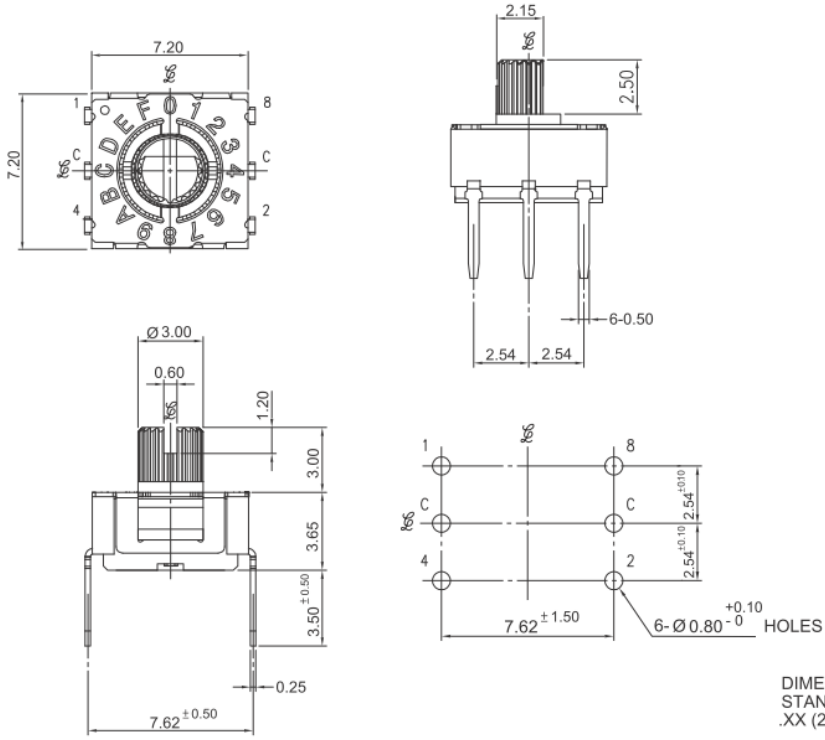


Figure 3 – 220AD_10, 16 - Standard Through Hole, 10 and 16 Position



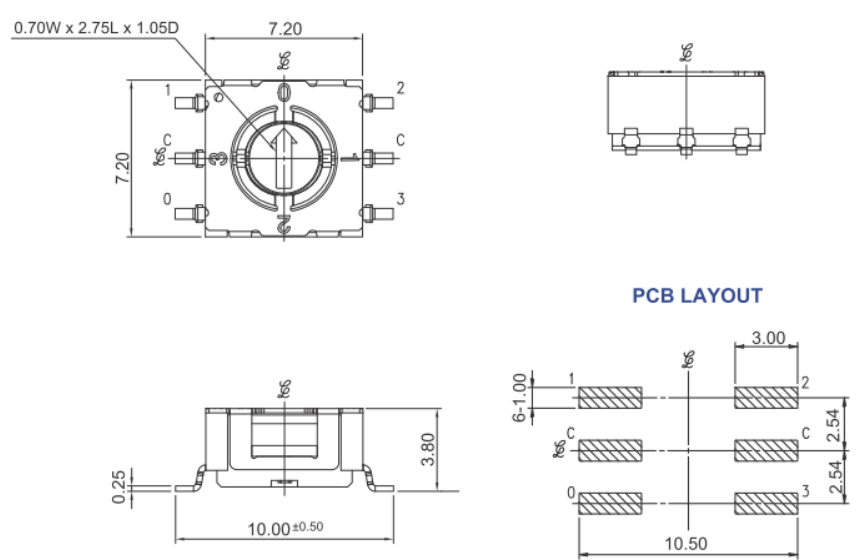
CODE TABLE

POSITIONS	CODE			
	1	2	4	8
0				
1	●			
2		●		
3	●	●		
4			●	
5	●			
6			●	
7	●	●	●	
8				●
9	●			●
A	●	●		●
B	●		●	●
C			●	●
D	●	●	●	●
E	●	●	●	●
F	●	●	●	●

Dot indicates terminal to common connection. All switches are continuous rotation.
10 Position - Numbered 0 through 9
16 Position - Numbered 0 through F

DIMENSION : mm
STANDARD TOLERANCE :
.XX (2 PLACE) : ±0.30

Figure 4 – 220AM_04R - Surface Mount Gull Wing, 4 Position



CODE TABLE

POSITIONS	CODE			
	0	1	2	3
0	●			
1		●		
2			●	
3				●

Dot indicates terminal to common connection. All switches are continuous rotation.
4 Position - Single pole

DIMENSION : mm
STANDARD TOLERANCE :
.XX (2 PLACE) : ±0.30

Figure 5 – 220AD_04 - Standard Through Hole, 4 Position

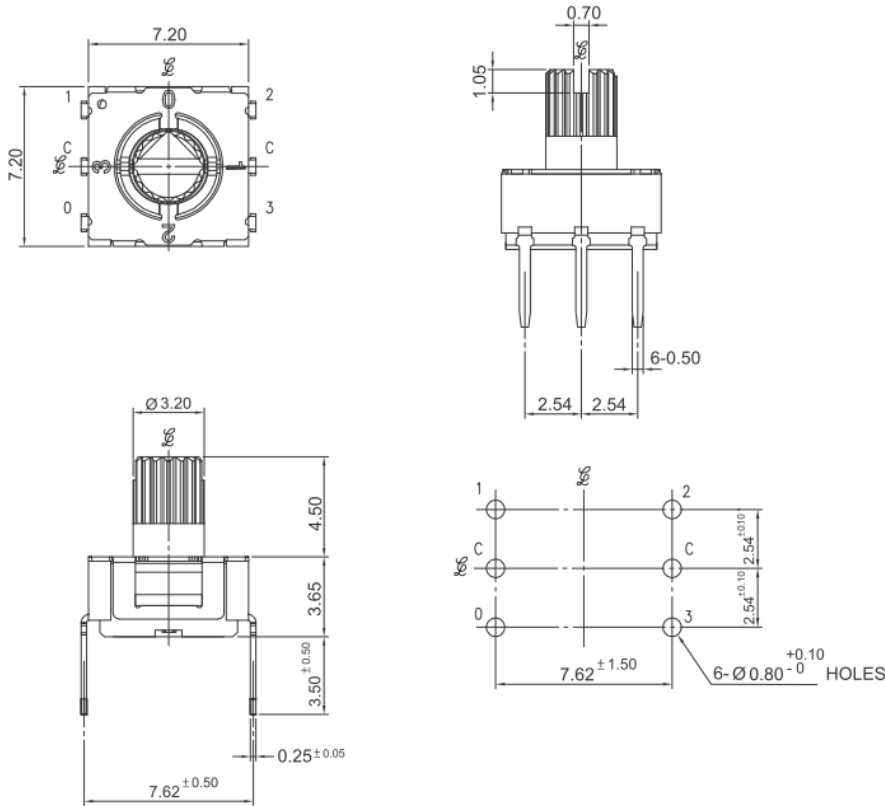


Figure 6 – 220AH_10, 16 - Standard Through Hole Right Angle, 10 and 16 Position

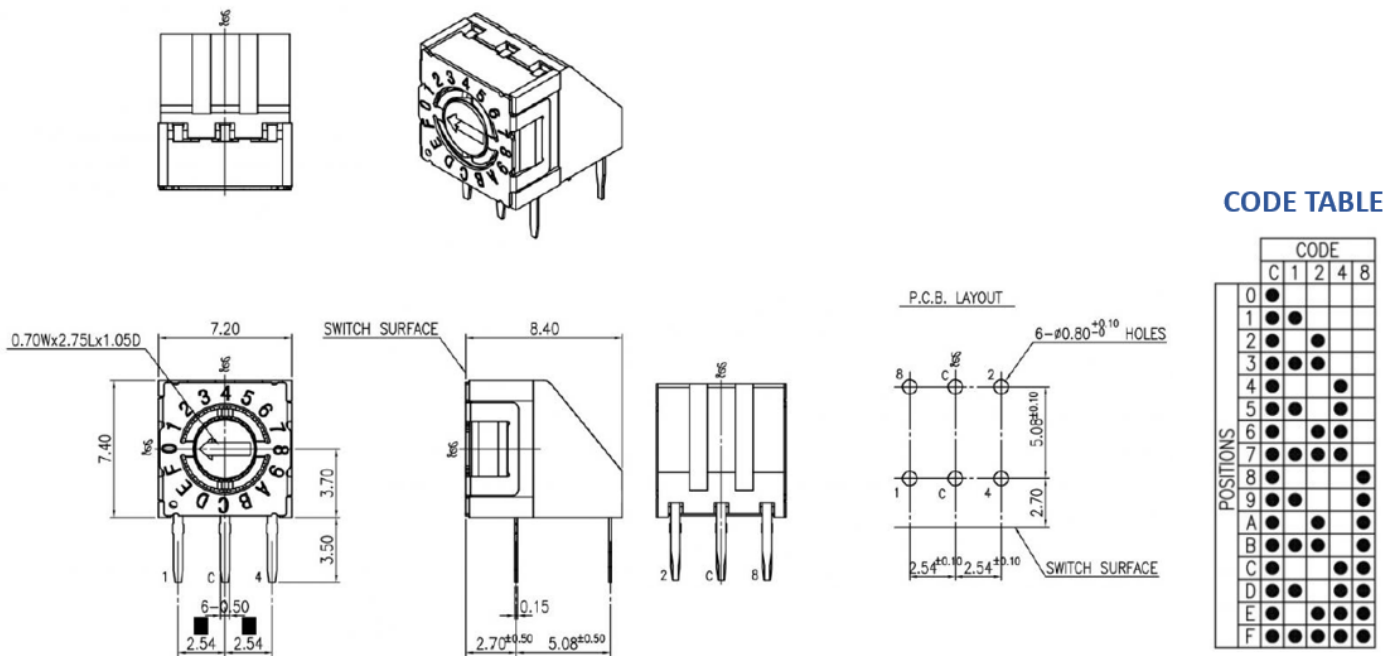
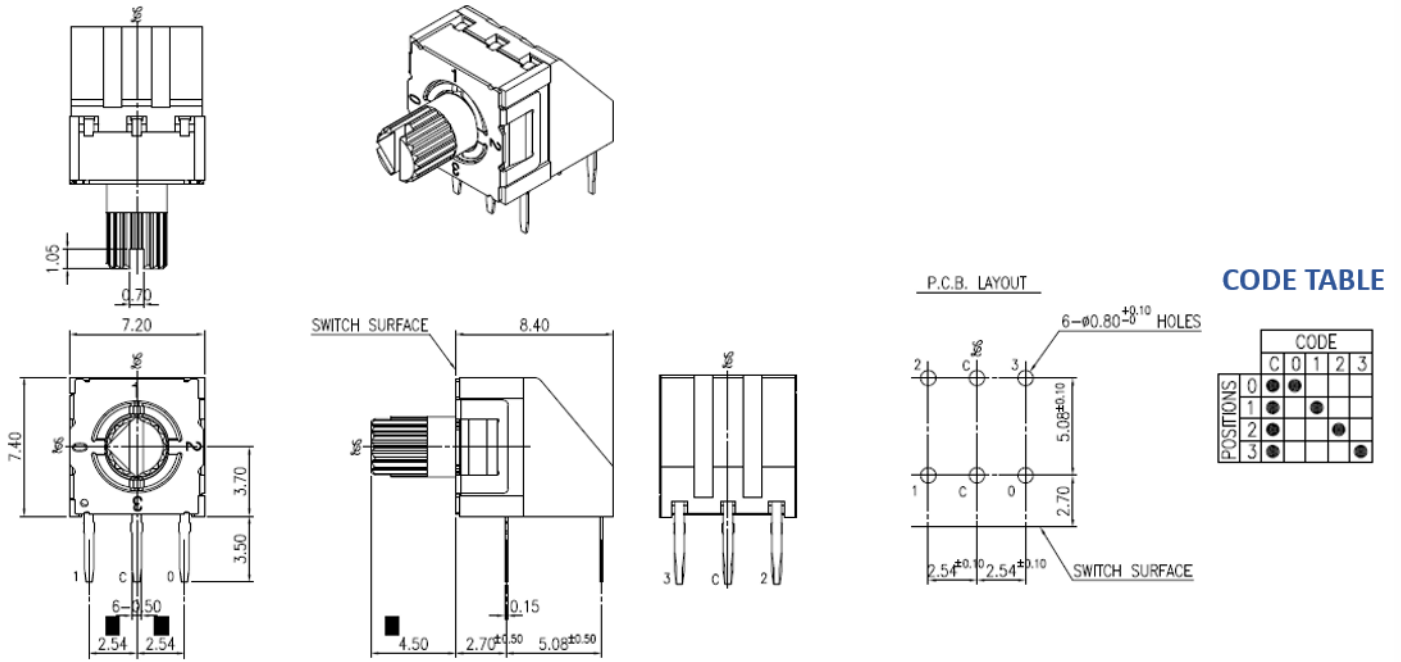
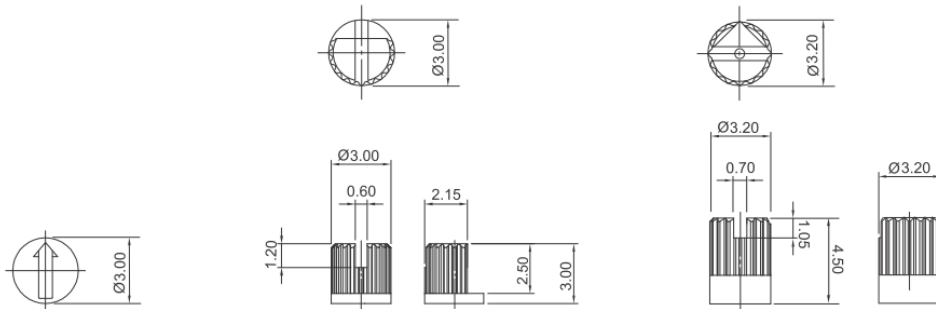


Figure 7 – 220AH_04 - Standard Through Hole Right Angle, 4 Position



Actuator Options



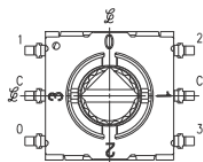
A: FLUSH ARROW ROTOR

B: KNURLED, SLOTTED, FLATTED SHAFT

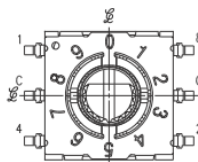
C: KNURLED, SLOTTED SHAFT

DIMENSION : mm
STANDARD TOLERANCE :
XX (2 PLACE) : ± 0.30

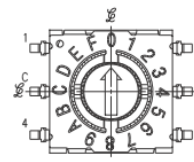
Position Options



04: 4 POSITIONS



10: 10 POSITIONS

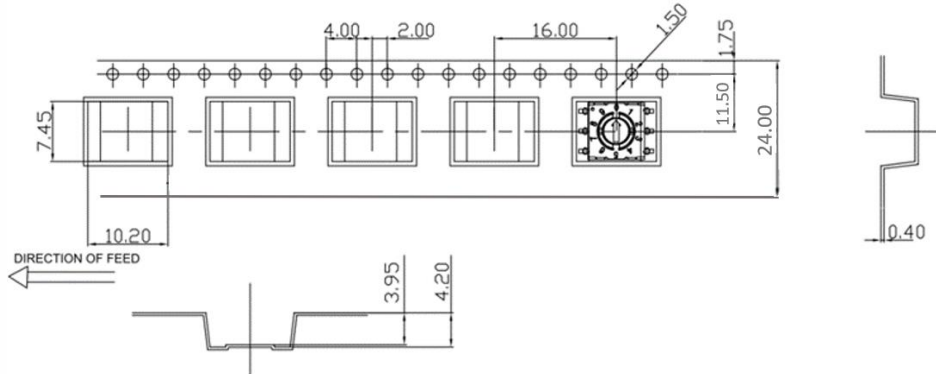


16: 16 POSITIONS

Packing: Tape and Reel

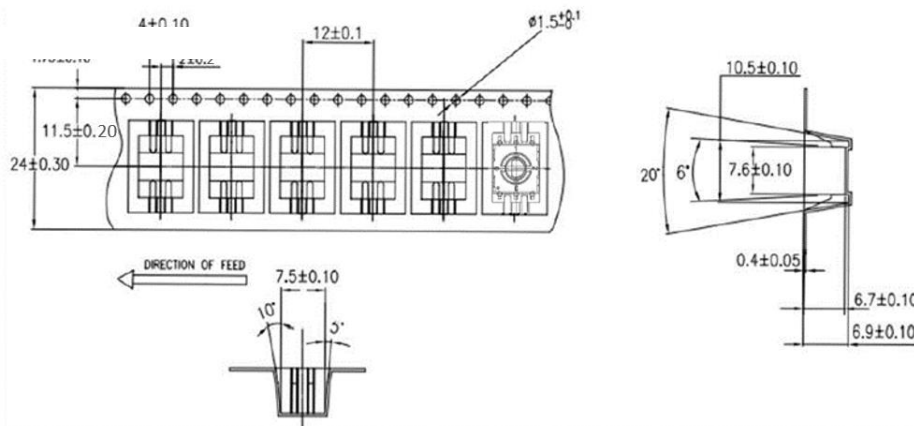
TAPE :

(A) 220AMAxxR – MATERIAL & DIMENSIONS:



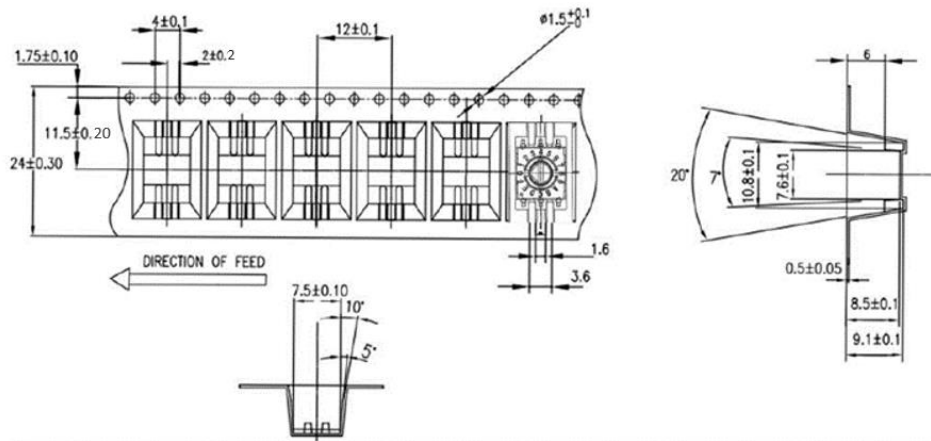
MATERIAL: CONDUCTIVE POLYSTYRENE, BLACK COLOR.
ALL DIMENSIONS MEET EIA-481-2A REQUIREMENTS.
CARRIER TAPE THICKNESS: 0.40±0.05MM.
PACKING LENGTH PER 13" REEL: 16.6 METERS.
COMPONENT LOADED PER 13" REEL: 1038 PCS.
SPQ: 1000 PCS/ REEL.

(B) 220AMBxxR – MATERIAL & DIMENSIONS:



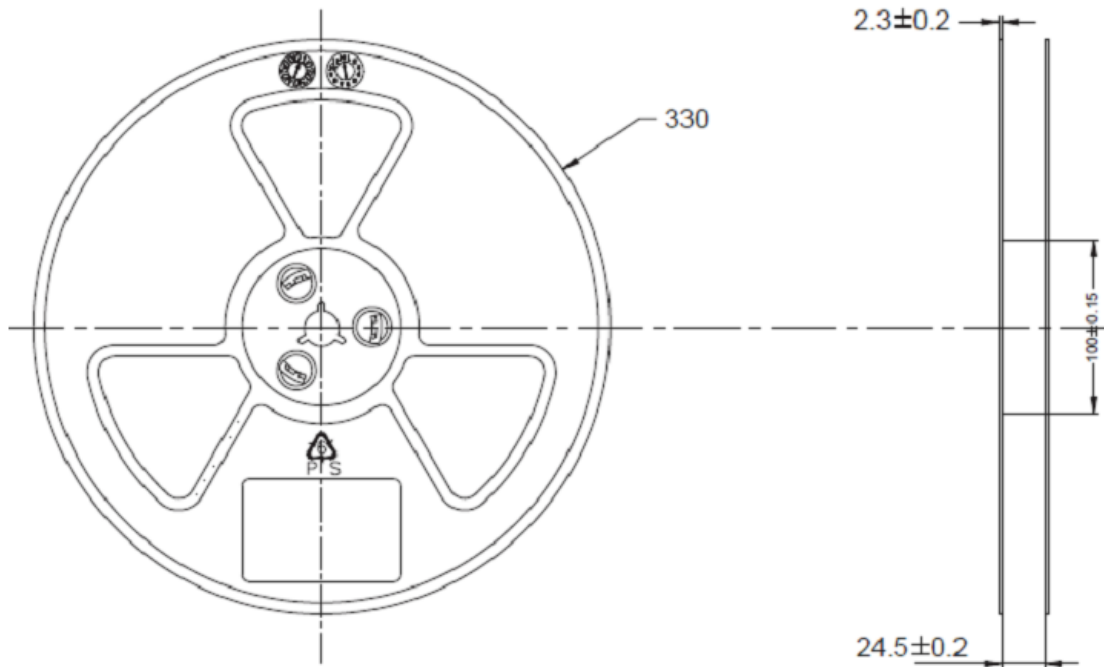
MATERIAL: ANTI-STATIC POLYSTYRENE, TRANSPARENT, BLACK COLOR.
ALL DIMENSIONS MEET EIA-481-B REQUIREMENTS.
CARRIER TAPE THICKNESS: 0.40±0.05MM.
PACKING LENGTH PER 13" REEL: 8.93 METERS.
COMPONENT LOADED PER 13" REEL: 744 PCS.
SPQ: 700 PCS/REEL.

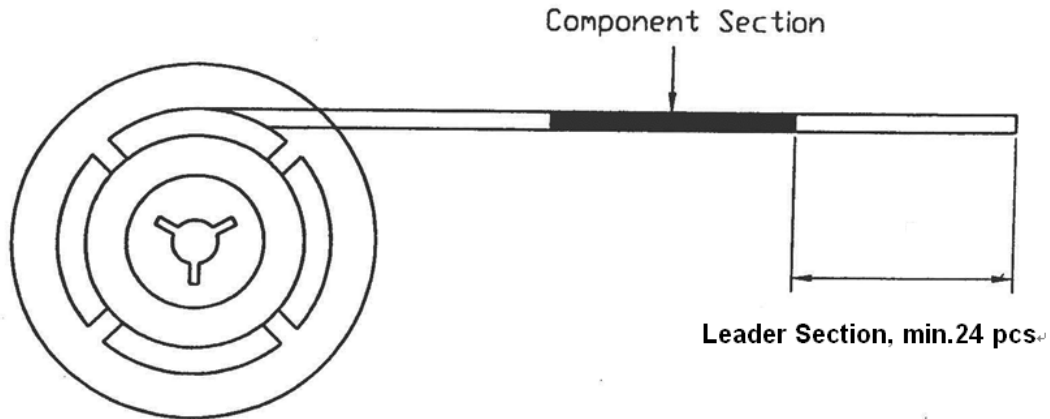
(C) 220AMCxxR – MATERIAL & DIMENSIONS:+



REEL:

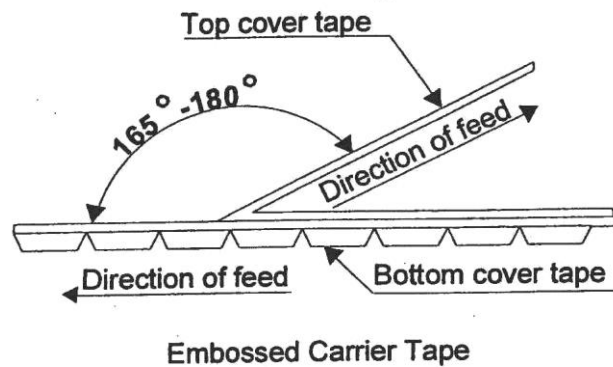
(A) SPECIFIED REEL PARTS DIMENSIONS: (COMMON TO ALL SMT COMPONENTS)





**TAPE BREAK FORCE, PEEL STRENGTH AND ANGLE:
REQUIRED SETTINGS :**

- TOP COVER TAPE PEEL FORCE : 10 ~ 140 gm
- ANGLE BETWEEN THE TOP COVER TAPE AND THE DIRECTION OF FEED DURING PEEL OFF : 165° ~ 180°



THE COVER TAPES MAY NOT EXTEND OVER THE EDGE OF THE CARRIER TAPE OR COVER ANY PART OF THE SPROCKET HOLES.

Looking for pricing, stock, or lifecycle information?

Click below to explore more details on WIN SOURCE:

- ⊖ [View 220AMA10R on WIN SOURCE](#)
- ⊖ [CTS Electrocomponents Information](#)

Optimize Your Supply Chain with WIN SOURCE Solutions

- ✓ Global Sourcing Solution
- ✓ Obsolete Management
- ✓ Cost Control Management
- ✓ Shortage Management
- ✓ Alternative Solution
- ✓ Excess Inventory Management