



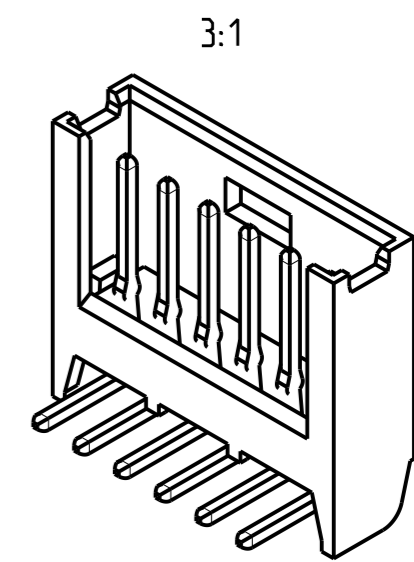
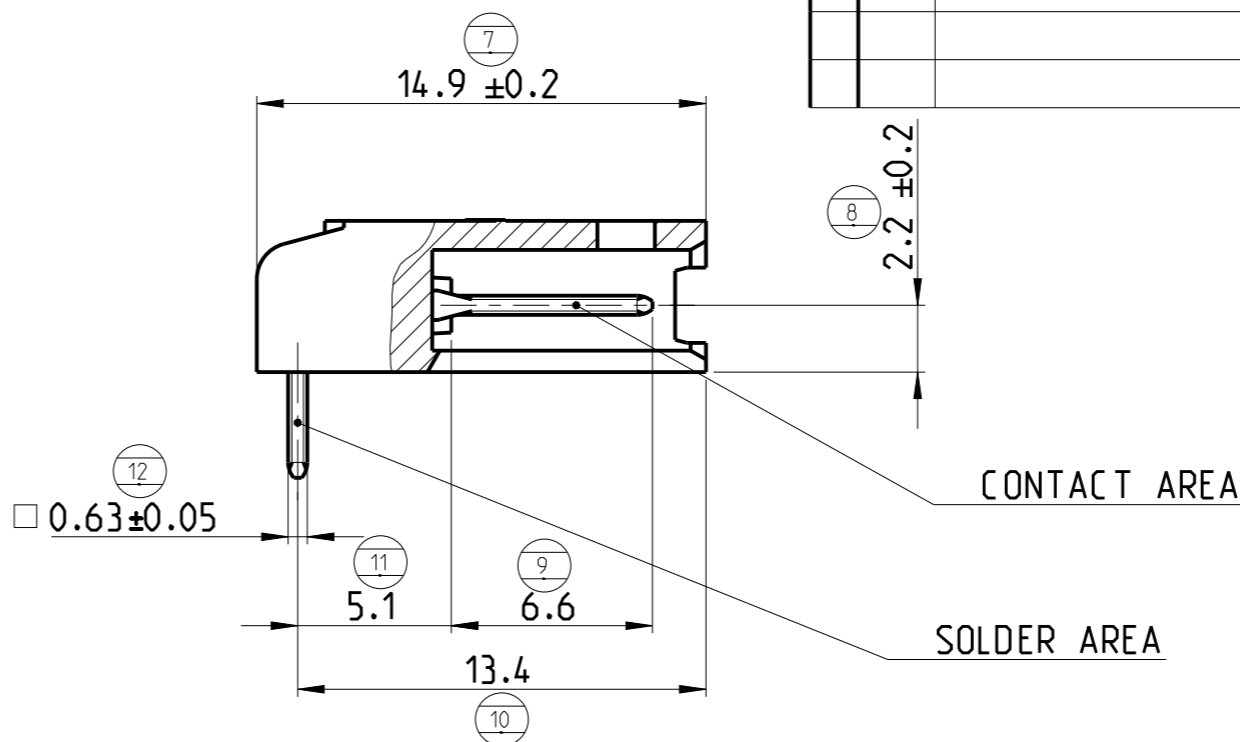
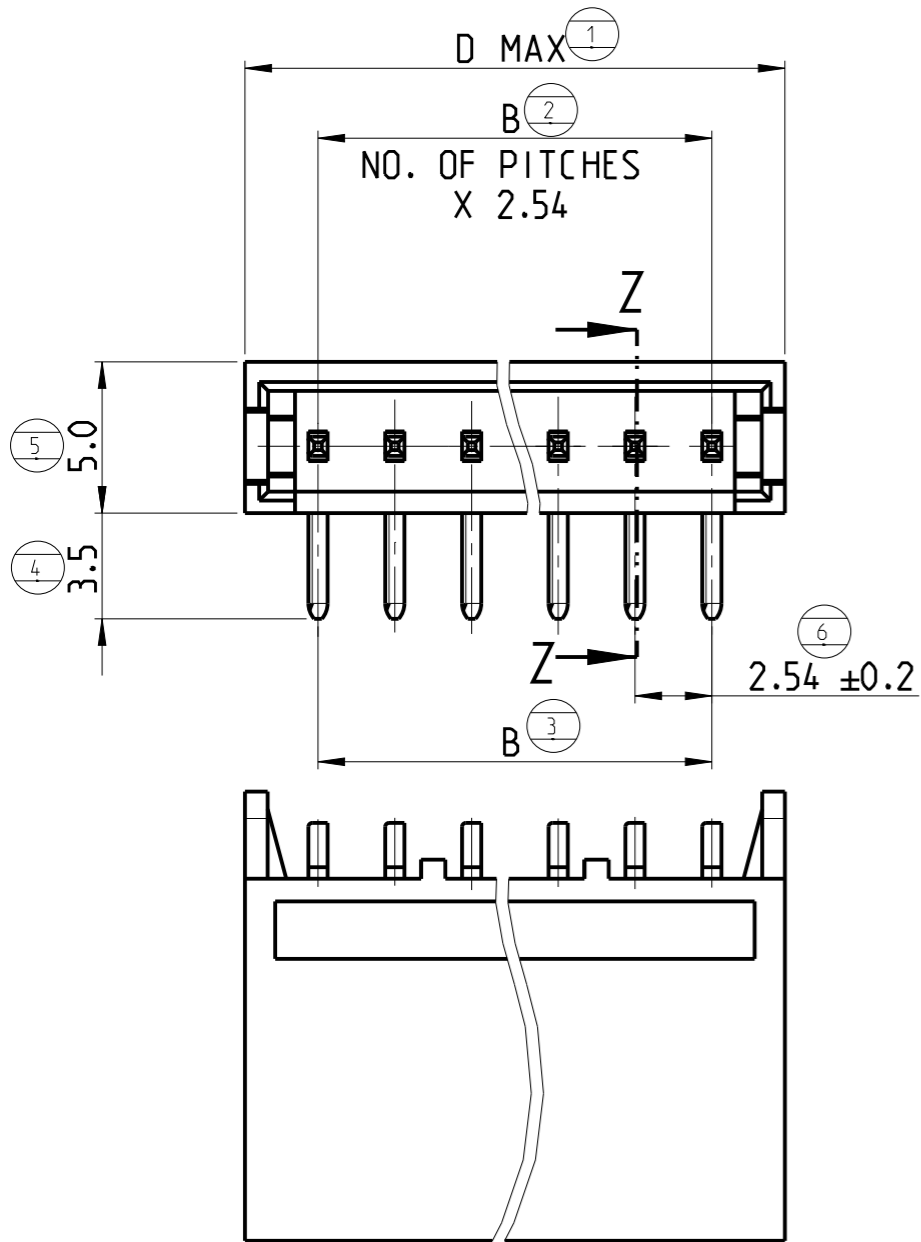
THE DATASHEET OF
280380-2



© 2021 TE Connectivity. All Rights Reserved.

REVISIONS

P	LTR	DESCRIPTION	DATE	DWN	APVD
	T	REDRAWN. PLASTIC SUPPLIER CHANGED	28MAY2021	SB	KJK



PARTIAL SEC. Z-Z

- NOTES:
- 1 FINISH: 3-5 μm TIN OVER MIN 1.27 μm NICKEL
 - 2 FINISH: DUPLEX PLATED MIN 0.38 μm GOLD IN CONTACT AREA AND 2.5 μm TIN IN SOLDER AREA. OVER MIN 1.27 μm NICKEL.
 - 3 FINISH: DUPLEX PLATED MIN 0.76 μm GOLD IN CONTACT AREA AND 2.5 μm TIN IN SOLDER AREA. OVER MIN 1.27 μm NICKEL.
 - 4 MATERIALS:
-HOUSINGS: FLAME RETARDANT THERMOPLASTIC. UL94V0. COLOR BLACK.
-TIN AND GOLD PLATED CONTACTS: BRASS
 - 5 OBSOLETE
 - 6 RECOMMENDED PCB HOLES DIA: 1.1⁺⁰_{-0.2}; 0.75 MIN. ADMITTED FOR 2 POS. ONLY

58.5	53.34	5	280383-3	280383-2	280383-1	22	
40.7	35.56	5	280382-3	280382-2	280382-1	15	
33.1	27.94	5	280523-3	280523-2	280523-1	12	
28.0	22.86		280381-3	280381-2	280381-1	10	
25.4	20.32	5	280511-3	280511-2	280511-1	9	
22.9	17.78		280380-3	280380-2	280380-1	8	
17.8	12.70		280379-3	280379-2	280379-1	6	
12.7	7.62		280378-3	280378-2	280378-1	4	
7.7	2.54		280377-3	280377-2	280377-1	2	
D	B	3	PART NUMBER	2	PART NUMBER	1	PART NUMBER NO. POS.

THIS DRAWING IS A CONTROLLED DOCUMENT.

DWN G. CAMPIA 12FEB1990
CHK -
APVD -
PRODUCT SPEC 108-20025
APPLICATION SPEC -
WEIGHT -

TE TE Connectivity

NAME AMPMODU II SHROUDED HEADER SINGLE ROW, RIGHT ANGLE POST

SIZE A3 CAGE CODE 00779 DRAWING NO C-280377 RESTRICTED TO

CUSTOMER DRAWING SCALE 4:1 SHEET 1 OF 1 REV T

Mouser Electronics

Authorized Distributor


Click to View Pricing, Inventory, Delivery & Lifecycle Information:

[TE Connectivity:](#)

[280380-2](#)

Looking for pricing, stock, or lifecycle information?

Click below to explore more details on WIN SOURCE:

 [View 280380-2 on WIN SOURCE](#)

 [TE Connectivity](#) Information

Optimize Your Supply Chain with WIN SOURCE Solutions

-  Global Sourcing Solution
-  Obsolete Management
-  Cost Control Management
-  Shortage Management
-  Alternative Solution
-  Excess Inventory Management