



**THE DATASHEET OF  
XRT75L04IV**



## GENERAL DESCRIPTION

The XRT75L04 is a four-channel fully integrated Line Interface Unit (LIU) with Jitter Attenuator for E3/DS3/STS-1 applications. It incorporates four independent Receivers, Transmitters and Jitter Attenuators in a single 176 pin LQFP package.

Each channel of the XRT75L04 can be configured to operate in E3 (34.368 MHz), DS3 (44.736 MHz) or STS-1 (51.84 MHz) rates that are independent of each other. Each transmitter can be turned off and tri-stated for redundancy support and for conserving power.

The XRT75L04's differential receivers provide high noise interference margin and are able to receive the data over 1000 feet of cable or with up to 12 dB of cable attenuation.

The XRT75L04 incorporates an advanced crystal-less jitter attenuator per channel that can be selected either in the transmit or receive path. The jitter attenuator performance meets the ETSI TBR-24 and Telcordia GR-499, GR-253 specifications.

The XRT75L04 provides both Serial Microprocessor Interface as well as Hardware mode for programming and control.

The XRT75L04 supports local, remote and digital loop-backs. The XRT75L04 also contains an on-board Pseudo Random Binary Sequence (PRBS) generator and detector with the ability to insert and detect single bit error.

## FEATURES

### RECEIVER:

- On chip Clock and Data Recovery circuit for high input jitter tolerance.
- Meets the jitter tolerance requirements as specified in ITU-T G.823\_1993 for E3 and Telcordia GR-499-CORE for DS3 applications.
- Detects and Clears LOS as per G.775.
- Receiver Monitor mode handles up to 20 dB flat loss with 6 dB cable attenuation.
- On chip B3ZS/HDB3 encoder and decoder that can either be enabled or disabled.
- On-chip clock synthesizer generates the appropriate rate clock from a single frequency XTAL.

- Provides low jitter clock outputs for either DS3,E3 or STS-1 rates.

### TRANSMITTER:

- Compliant with Telcordia GR-499, GR-253 and ANSI T1.102 Specification for transmit pulse
- Tri-state Transmit output capability for redundancy applications
- Transmitters can be turned on or off.

### JITTER ATTENUATOR:

- On chip advanced crystal-less Jitter Attenuator.
- Jitter Attenuators can be selected in Receive or Transmit paths.
- Compliant with jitter transfer template outlined in ITU G.751, G.752, G.755, GR-253 and GR-499-CORE,1995 standards.
- Meets ETSI TBR 24 Jitter Transfer Requirements.
- 16 or 32 bits selectable FIFO size.
- Meets the Wander specifications described in T1.105.03b.
- Jitter Attenuators can be disabled.

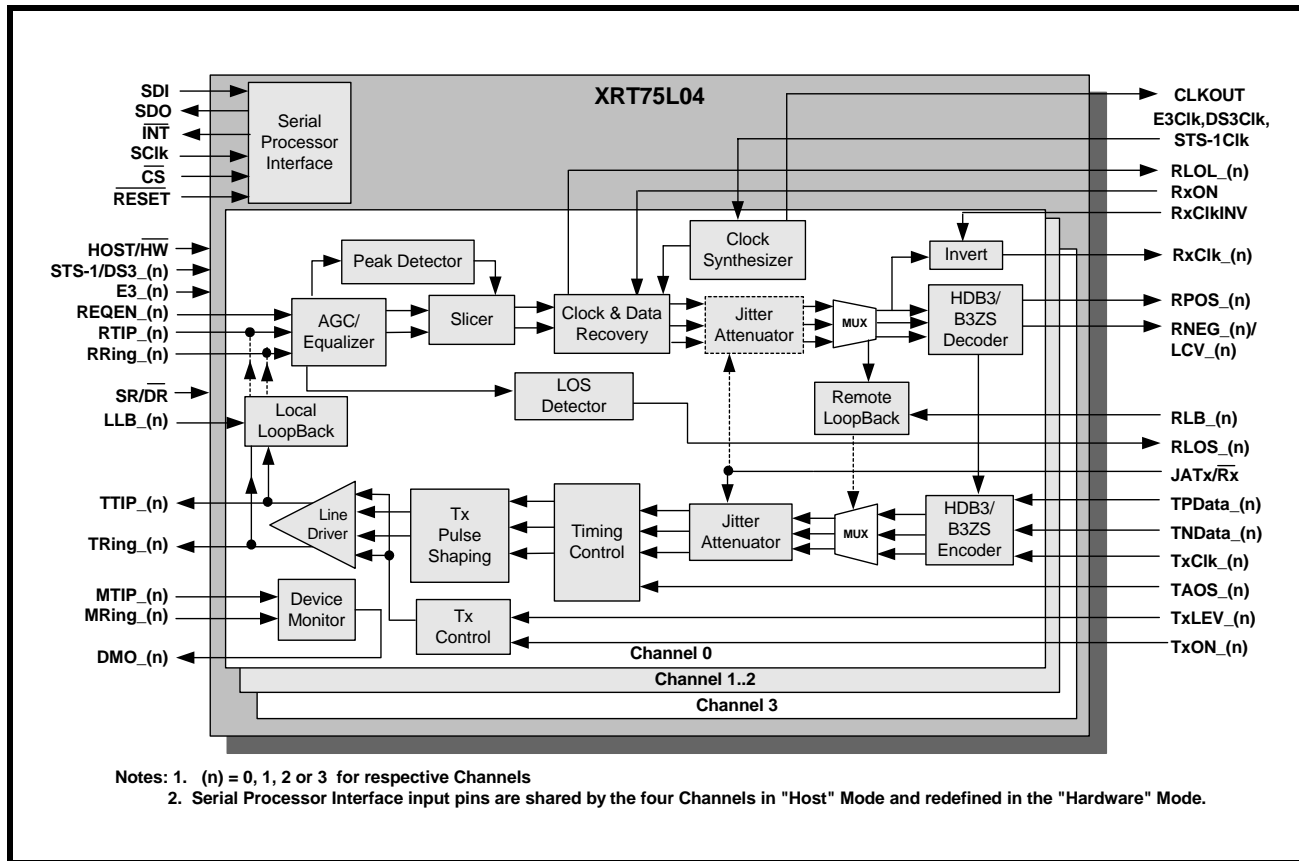
### CONTROL AND DIAGNOSTICS:

- Serial Microprocessor Interface for control and configuration.
- Supports optional internal Transmit Driver Monitoring.
- PRBS error counter register to accumulate errors.
- Supports Local, Remote and Digital Loop-backs.
- Single 3.3 V  $\pm$  5% power supply.
- 5 V Tolerant I/O.
- Maximum Power Dissipation 1.5W.
- Available in 176 pin LQFP package
- - 40°C to 85°C Industrial Temperature Range.

## APPLICATIONS

- E3/DS3 Access Equipment.
- STS1-SPE to DS3 Mapper.
- DSLAMs.
- Digital Cross Connect Systems.
- CSU/DSU Equipment.
- Routers.

FIGURE 1. BLOCK DIAGRAM OF THE XRT 75L04



**TRANSMIT INTERFACE CHARACTERISTICS**

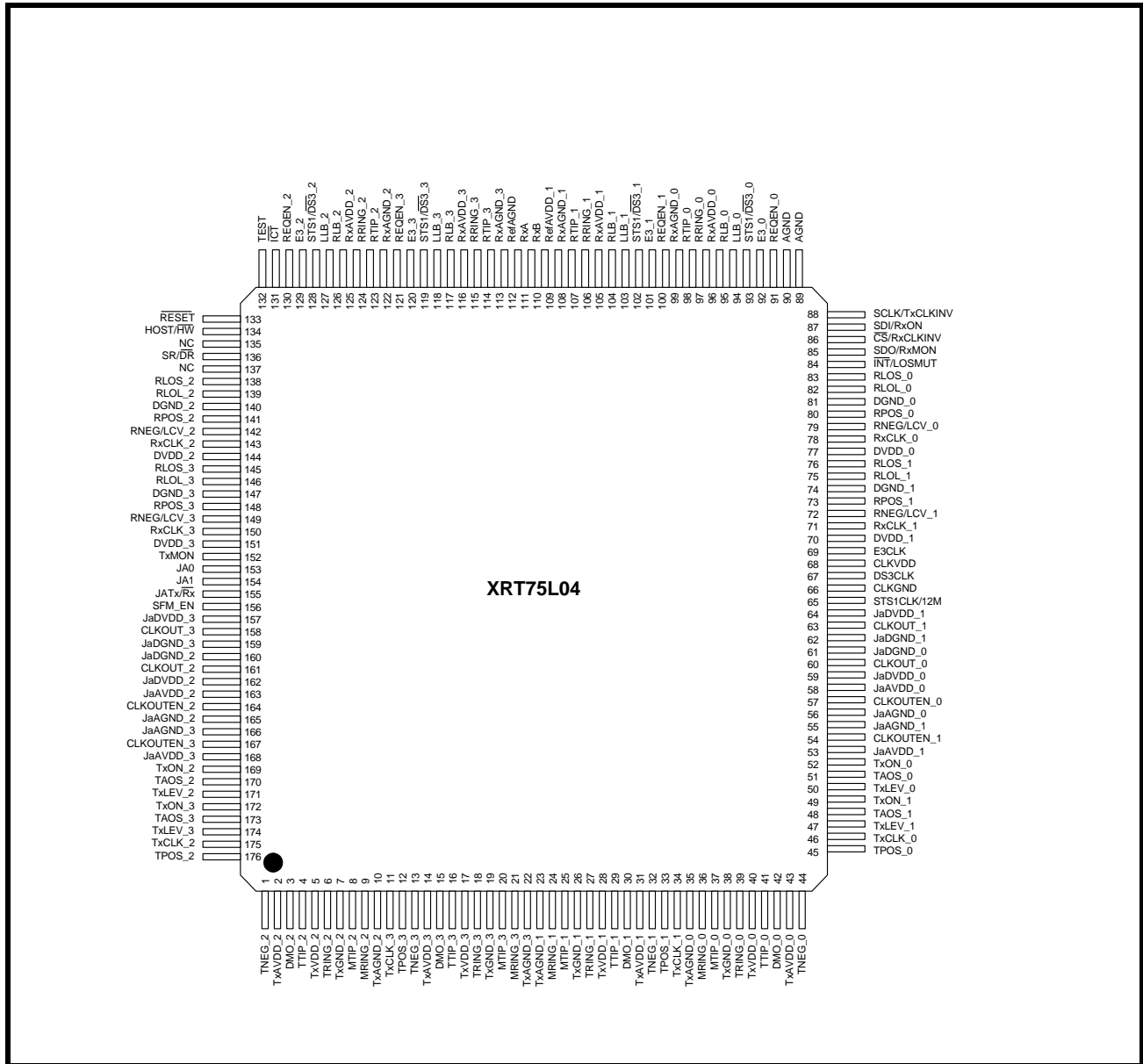
- Accepts either Single-Rail or Dual-Rail data from Terminal Equipment and generates a bipolar signal to the line
- Integrated Pulse Shaping Circuit.
- Built-in B3ZS/HDB3 Encoder (which can be disabled).
- Accepts Transmit Clock with duty cycle of 30%-70%.
- Generates pulses that comply with the ITU-T G.703 pulse template for E3 applications.
- Generates pulses that comply with the DSX-3 pulse template, as specified in Telcordia GR-499-CORE and ANSI T1.102\_1993.
- Generates pulses that comply with the STSX-1 pulse template, as specified in Telcordia GR-253-CORE.
- Transmitters can be turned off to support redundancy designs.

**RECEIVE INTERFACE CHARACTERISTICS**

- Integrated Adaptive Receive Equalization for optimal Clock and Data Recovery.
- Declares and Clears the LOS defect per ITU-T G.775 requirements for E3 and DS3 applications.
- Meets Jitter Tolerance Requirements, as specified in ITU-T G.823\_1993 for E3 Applications.
- Declares Loss of Signal (LOS) and Loss of Lock (LOL) Alarms.
- Built-in B3ZS/HDB3 Decoder (which can be disabled).
- Recovered Data can be muted while the LOS Condition is declared.

- Outputs either Single-Rail or Dual-Rail data to the Terminal Equipment.

**FIGURE 2. PIN OUT OF THE XRT75L04**



**ORDERING INFORMATION**

| PART NUMBER | PACKAGE      | OPERATING TEMPERATURE RANGE |
|-------------|--------------|-----------------------------|
| XRT75L04IV  | 176 Pin LQFP | -40°C to +85°C              |

**TABLE OF CONTENTS**

**GENERAL DESCRIPTION ..... 1**

- FEATURES ..... 1
- APPLICATIONS..... 1
  - FIGURE 1. BLOCK DIAGRAM OF THE XRT 75L04 ..... 2
- TRANSMIT INTERFACE CHARACTERISTICS.....2
- RECEIVE INTERFACE CHARACTERISTICS.....2
  - FIGURE 2. PIN OUT OF THE XRT75L04..... 3
- ORDERING INFORMATION.....3**
- TABLE OF CONTENTS ..... /**
- PIN DESCRIPTIONS (BY FUNCTION) .....4**

  - TRANSMIT INTERFACE.....4
  - RECEIVE INTERFACE.....7
  - CLOCK INTERFACE .....9
  - CONTROL AND ALARM INTERFACE.....10
  - OPERATING MODE SELECT .....12
  - SERIAL MICROPROCESSOR INTERFACE .....12
  - JITTER ATTENUATOR INTERFACE.....13
  - ANALOG POWER AND GROUND.....14
  - DIGITAL POWER AND GROUND .....16

- 1.0 ELECTRICAL CHARACTERISTICS .....17**

  - TABLE 1: ABSOLUTE MAXIMUM RATINGS..... 17
  - TABLE 2: DC ELECTRICAL CHARACTERISTICS:..... 17

- 2.0 TIMING CHARACTERISTICS .....18**

  - FIGURE 3. TYPICAL INTERFACE BETWEEN TERMINAL EQUIPMENT AND THE XRT75L04 (DUAL-RAIL DATA)..... 18
  - FIGURE 4. TRANSMITTER TERMINAL INPUT TIMING ..... 18
  - FIGURE 5. RECEIVER DATA OUTPUT AND CODE VIOLATION TIMING ..... 19
  - FIGURE 6. TRANSMIT INTERFACE CIRCUIT FOR E3, DS3 AND STS-1 RATES ..... 19

- 3.0 LINE SIDE CHARACTERISTICS: .....20**

  - 3.1 E3 LINE SIDE PARAMETERS: ..... 20**

    - FIGURE 7. PULSE MASK FOR E3 (34.368 MBITS/S) INTERFACE AS PER ITU-T G.703..... 20
    - TABLE 3: E3 TRANSMITTER LINE SIDE OUTPUT AND RECEIVER LINE SIDE INPUT SPECIFICATIONS..... 20
    - FIGURE 8. BELLCORE GR-253 CORE TRANSMIT OUTPUT PULSE TEMPLATE FOR SONET STS-1 APPLICATIONS..... 21
    - TABLE 4: STS-1 PULSE MASK EQUATIONS ..... 21
    - TABLE 5: STS-1 TRANSMITTER LINE SIDE OUTPUT AND RECEIVER LINE SIDE INPUT SPECIFICATIONS (GR-253) ..... 22
    - FIGURE 9. TRANSMIT OUPUT PULSE TEMPLATE FOR DS3 AS PER BELLCORE GR-499 ..... 22
    - TABLE 6: DS3 PULSE MASK EQUATIONS ..... 23
    - TABLE 7: DS3 TRANSMITTER LINE SIDE OUTPUT AND RECEIVER LINE SIDE INPUT SPECIFICATIONS (GR-499) ..... 23
    - FIGURE 10. MICROPROCESSOR SERIAL INTERFACE STRUCTURE..... 24
    - FIGURE 11. TIMING DIAGRAM FOR THE MICROPROCESSOR SERIAL INTERFACE ..... 24
    - TABLE 8: MICROPROCESSOR SERIAL INTERFACE TIMINGS ( TA = 250C, VDD=3.3V± 5% AND LOAD = 10PF) ..... 25

- 4.0 THE TRANSMITTER SECTION: .....26**

  - FIGURE 12. SINGLE-RAIL OR NRZ DATA FORMAT (ENCODER AND DECODER ARE ENABLED)..... 26
  - FIGURE 13. DUAL-RAIL DATA FORMAT (ENCODER AND DECODER ARE DISABLED)..... 26
  - 4.1 TRANSMIT CLOCK: ..... 26**
  - 4.2 B3ZS/HDB3 ENCODER: ..... 26**

    - 4.2.1 B3ZS ENCODING: ..... 26**
    - FIGURE 14. B3ZS ENCODING FORMAT ..... 27
    - 4.2.2 HDB3 ENCODING:..... 27**
    - FIGURE 15. HDB3 ENCODING FORMAT ..... 27

  - 4.3 TRANSMIT PULSE SHAPER: ..... 27**

    - 4.3.1 GUIDELINES FOR USING TRANSMIT BUILD OUT CIRCUIT: ..... 28**
    - 4.3.2 INTERFACING TO THE LINE: ..... 28**

  - 4.4 TRANSMIT DRIVE MONITOR: ..... 28**
  - FIGURE 16. TRANSMIT DRIVER MONITOR SET-UP..... 28
  - 4.5 TRANSMITTER SECTION ON/OFF: ..... 30**

- 5.0 THE RECEIVER SECTION: .....30**

  - 5.1 AGC/EQUALIZER: ..... 30**

    - 5.1.1 INTERFERENCE TOLERANCE: ..... 31**

|   |           |
|---|-----------|
| FIGURE 17. INTERFERENCE MARGIN TEST SET UP FOR DS3/STS-1.....   | 31        |
| FIGURE 18. INTERFERENCE MARGIN TEST SET UP FOR E3.....  | 32        |
| TABLE 9: INTERFERENCE MARGIN TEST RESULTS.....  | 32        |
| <b>5.2 CLOCK AND DATA RECOVERY:</b> .....   | <b>32</b> |
| <b>5.3 B3ZS/HDB3 DECODER:</b> .....   | <b>32</b> |
| <b>5.4 LOS (LOSS OF SIGNAL) DETECTOR:</b> .....   | <b>33</b> |
| <b>5.4.1 DS3/STS-1 LOS CONDITION:</b> .....   | <b>33</b> |
| TABLE 10: THE ALOS (ANALOG LOS) DECLARATION AND CLEARANCE THRESHOLDS FOR A GIVEN SETTING OF REQEN (DS3 AND STS-1 APPLICATIONS)..... | 33        |
| DISABLING ALOS/DLOS DETECTION: .....  | 33        |
| <b>5.4.2 E3 LOS CONDITION:</b> .....  | <b>33</b> |
| FIGURE 19. LOSS OF SIGNAL DEFINITION FOR E3 AS PER ITU-T G.775.....   | 34        |
| FIGURE 20. LOSS OF SIGNAL DEFINITION FOR E3 AS PER ITU-T G.775.....   | 34        |
| <b>5.4.3 MUTING THE RECOVERED DATA WITH LOS CONDITION:</b> .....  | <b>35</b> |
| <b>6.0 JITTER:</b> .....  | <b>36</b> |
| <b>6.1 JITTER TOLERANCE - RECEIVER:</b> .....   | <b>36</b> |
| FIGURE 21. JITTER TOLERANCE MEASUREMENTS .....  | 36        |
| <b>6.1.1 DS3/STS-1 JITTER TOLERANCE REQUIREMENTS:</b> .....   | <b>36</b> |
| FIGURE 22. INPUT JITTER TOLERANCE FOR DS3/STS-1.....  | 37        |
| <b>6.1.2 E3 JITTER TOLERANCE REQUIREMENTS:</b> .....  | <b>37</b> |
| FIGURE 23. INPUT JITTER TOLERANCE FOR E3.....   | 37        |
| TABLE 11: JITTER AMPLITUDE VERSUS MODULATION FREQUENCY (JITTER TOLERANCE) .....   | 38        |
| <b>6.2 JITTER TRANSFER - RECEIVER/TRANSMITTER:</b> .....  | <b>38</b> |
| TABLE 12: JITTER TRANSFER SPECIFICATION/REFERENCES .....  | 38        |
| <b>6.3 JITTER GENERATION:</b> .....   | <b>38</b> |
| <b>6.4 JITTER ATTENUATOR:</b> .....   | <b>38</b> |
| TABLE 13: JITTER TRANSFER PASS MASKS .....  | 39        |
| FIGURE 24. JITTER TRANSFER REQUIREMENTS AND JITTER ATTENUATOR PERFORMANCE.....  | 39        |
| <b>7.0 SERIAL HOST INTERFACE:</b> .....   | <b>40</b> |
| TABLE 14: FUNCTIONS OF SHARED PINS .....  | 40        |
| TABLE 15: REGISTER MAP AND BIT NAMES .....  | 40        |
| TABLE 16: REGISTER MAP DESCRIPTION - GLOBAL.....  | 41        |
| TABLE 17: REGISTER MAP AND BIT NAMES - CHANNEL 0 REGISTERS.....   | 42        |
| TABLE 18: REGISTER MAP AND BIT NAMES - CHANNEL 1 REGISTERS.....   | 42        |
| TABLE 19: REGISTER MAP AND BIT NAMES - CHANNEL 2 REGISTERS.....   | 43        |
| TABLE 20: REGISTER MAP AND BIT NAMES - CHANNEL 3 REGISTERS.....   | 43        |
| TABLE 21: REGISTER MAP DESCRIPTION.....   | 44        |
| <b>8.0 DIAGNOSTIC FEATURES:</b> .....   | <b>49</b> |
| <b>8.1 PRBS GENERATOR AND DETECTOR:</b> .....   | <b>49</b> |
| FIGURE 25. PRBS MODE.....   | 49        |
| <b>8.2 LOOPBACKS:</b> .....   | <b>49</b> |
| <b>8.2.1 ANALOG LOOPBACK:</b> .....   | <b>49</b> |
| FIGURE 26. ANALOG LOOPBACK.....   | 50        |
| <b>8.2.2 DIGITAL LOOPBACK:</b> .....  | <b>50</b> |
| FIGURE 27. DIGITAL LOOPBACK.....  | 50        |
| <b>8.2.3 REMOTE LOOPBACK:</b> .....   | <b>51</b> |
| FIGURE 28. REMOTE LOOPBACK .....  | 51        |
| <b>8.3 TRANSMIT ALL ONES (TAOS):</b> .....  | <b>51</b> |
| FIGURE 29. TRANSMIT ALL ONES (TAOS).....  | 51        |
| <b>APPENDIX B.....</b>  | <b>52</b> |
| TABLE 22: TRANSFORMER RECOMMENDATIONS .....   | 52        |
| TABLE 23: TRANSFORMER DETAILS .....   | 52        |
| <b>ORDERING INFORMATION .....</b>   | <b>54</b> |
| PACKAGE DIMENSIONS - 176 PIN PACKAGE.....   | 54        |
| REVISIONS.....  | 55        |

**PIN DESCRIPTIONS (BY FUNCTION)**

**TRANSMIT INTERFACE**

| PIN #                  | SIGNAL NAME                              | TYPE | DESCRIPTION   |         |     |     |                    |   |   |   |     |   |   |   |     |   |   |   |     |   |   |   |    |   |   |   |     |   |   |   |    |
|------------------------|--|------|---|---------|-----|-----|--------------------|---|---|---|-----|---|---|---|-----|---|---|---|-----|---|---|---|----|---|---|---|-----|---|---|---|----|
| 52<br>49<br>169<br>172 | TxON_0<br>TxON_1<br>TxON_2<br>TxON_3     | I    | <p><b>Transmitter ON Input - Channel 0:</b><br/> <b>Transmitter ON Input - Channel 1:</b><br/> <b>Transmitter ON Input - Channel 2:</b><br/> <b>Transmitter ON Input - Channel 3:</b></p> <p>These pins are active only when the corresponding TxON bit is set.<br/>                     Table below shows the status of the transmitter based on the TxON bit and TxON pin settings.</p> <table border="1" style="margin-left: auto; margin-right: auto;"> <thead> <tr> <th>Host/HW</th> <th>Bit</th> <th>Pin</th> <th>Transmitter Status</th> </tr> </thead> <tbody> <tr> <td>1</td> <td>0</td> <td>0</td> <td>OFF</td> </tr> <tr> <td>1</td> <td>0</td> <td>1</td> <td>OFF</td> </tr> <tr> <td>1</td> <td>1</td> <td>0</td> <td>OFF</td> </tr> <tr> <td>1</td> <td>1</td> <td>1</td> <td>ON</td> </tr> <tr> <td>0</td> <td>x</td> <td>0</td> <td>OFF</td> </tr> <tr> <td>0</td> <td>x</td> <td>1</td> <td>ON</td> </tr> </tbody> </table> <p><b>NOTES:</b></p> <ol style="list-style-type: none"> <li>1. These pins will be active and can control the TTIP and TRING outputs only when the TxON_n bits in the channel register are set.</li> <li>2. When Transmitters are turned off the TTIP and TRING outputs are Tri-stated.</li> <li>3. These pins are internally pulled up.</li> </ol> | Host/HW | Bit | Pin | Transmitter Status | 1 | 0 | 0 | OFF | 1 | 0 | 1 | OFF | 1 | 1 | 0 | OFF | 1 | 1 | 1 | ON | 0 | x | 0 | OFF | 0 | x | 1 | ON |
| Host/HW                | Bit                                      | Pin  | Transmitter Status  |         |     |     |                    |   |   |   |     |   |   |   |     |   |   |   |     |   |   |   |    |   |   |   |     |   |   |   |    |
| 1                      | 0  | 0    | OFF   |         |     |     |                    |   |   |   |     |   |   |   |     |   |   |   |     |   |   |   |    |   |   |   |     |   |   |   |    |
| 1                      | 0  | 1    | OFF   |         |     |     |                    |   |   |   |     |   |   |   |     |   |   |   |     |   |   |   |    |   |   |   |     |   |   |   |    |
| 1                      | 1  | 0    | OFF   |         |     |     |                    |   |   |   |     |   |   |   |     |   |   |   |     |   |   |   |    |   |   |   |     |   |   |   |    |
| 1                      | 1  | 1    | ON  |         |     |     |                    |   |   |   |     |   |   |   |     |   |   |   |     |   |   |   |    |   |   |   |     |   |   |   |    |
| 0                      | x  | 0    | OFF   |         |     |     |                    |   |   |   |     |   |   |   |     |   |   |   |     |   |   |   |    |   |   |   |     |   |   |   |    |
| 0                      | x  | 1    | ON  |         |     |     |                    |   |   |   |     |   |   |   |     |   |   |   |     |   |   |   |    |   |   |   |     |   |   |   |    |
| 46<br>34<br>175<br>11  | TxCLK_0<br>TxCLK_1<br>TxCLK_2<br>TxCLK_3 | I    | <p><b>Transmit Clock Input for TPOS and TNEG - Channel 0:</b><br/> <b>Transmit Clock Input for TPOS and TNEG - Channel 1:</b><br/> <b>Transmit Clock Input for TPOS and TNEG - Channel 2:</b><br/> <b>Transmit Clock Input for TPOS and TNEG - Channel 3:</b></p> <p>The frequency accuracy of this input clock must be of nominal bit rate <math>\pm 20</math> ppm.<br/>                     The duty cycle can be 30%-70%.<br/>                     By default, input data is sampled on the falling edge of TxCLK when input data is changing on the rising edge of TxCLK..</p>  |         |     |     |                    |   |   |   |     |   |   |   |     |   |   |   |     |   |   |   |    |   |   |   |     |   |   |   |    |
| 44<br>32<br>1<br>13    | TNEG_0<br>TNEG_1<br>TNEG_2<br>TNEG_3     | I    | <p><b>Transmit Negative Data Input - Channel 0:</b><br/> <b>Transmit Negative Data Input - Channel 1:</b><br/> <b>Transmit Negative Data Input - Channel 2:</b><br/> <b>Transmit Negative Data Input - Channel 3:</b></p> <p>In Dual-rail mode, these pins are sampled on the falling or rising edge of TxCLK_n .</p> <p><b>NOTES:</b></p> <ol style="list-style-type: none"> <li>1. These input pins are ignored and must be grounded if the Transmitter Section is configured to accept Single-Rail data from the Terminal Equipment.</li> </ol>  |         |     |     |                    |   |   |   |     |   |   |   |     |   |   |   |     |   |   |   |    |   |   |   |     |   |   |   |    |

**TRANSMIT INTERFACE**

| PIN #                  | SIGNAL NAME                              | TYPE | DESCRIPTION  |
|------------------------|--|------|--|
| 45<br>33<br>176<br>12  | TPOS_0<br>TPOS_1<br>TPOS_2<br>TPOS_3     | I    | <p><b>Transmit Positive Data Input - Channel 0:</b><br/> <b>Transmit Positive Data Input - Channel 1:</b><br/> <b>Transmit Positive Data Input - Channel 2:</b><br/> <b>Transmit Positive Data Input - Channel 3:</b></p> <p>By default sampled on the falling edge of TxCLK</p>   |
| 41<br>29<br>4<br>16    | TTIP_0<br>TTIP_1<br>TTIP_2<br>TTIP_3     | O    | <p><b>Transmit TTIP Output - Channel 0:</b><br/> <b>Transmit TTIP Output - Channel 1:</b><br/> <b>Transmit TTIP Output - Channel 2:</b><br/> <b>Transmit TTIP Output - Channel 3:</b></p> <p>These pins along with TRING transmit bipolar signals to the line using a 1:1 transformer.</p>   |
| 39<br>27<br>6<br>18    | TRING_0<br>TRING_1<br>TRING_2<br>TRING_3 | O    | <p><b>Transmit Ring Output - Channel 0:</b><br/> <b>Transmit Ring Output - Channel 1:</b><br/> <b>Transmit Ring Output - Channel 2:</b><br/> <b>Transmit Ring Output - Channel 3:</b></p> <p>These pins along with TTIP transmit bipolar signals to the line using a 1:1 transformer.</p>  |
| 50<br>47<br>171<br>174 | TxLEV_0<br>TxLEV_1<br>TxLEV_2<br>TxLEV_3 | I    | <p><b>Transmit Line Build-Out Enable/Disable Select - Channel 0:</b><br/> <b>Transmit Line Build-Out Enable/Disable Select - Channel 1:</b><br/> <b>Transmit Line Build-Out Enable/Disable Select - Channel 2:</b><br/> <b>Transmit Line Build-Out Enable/Disable Select - Channel 3:</b></p> <p>These input pins are used to select the Transmit Line Build-Out circuit of Channel n.</p> <p>Setting these pins to "High" disables the Line Build-Out circuit of Channel n. In this mode, Channel n outputs partially-shaped pulses onto the line via the TTIP_n and TRing_n output pins.</p> <p>Setting these pins to "Low" enables the Line Build-Out circuit of Channel n. In this mode, Channel n outputs shaped pulses onto the line via the TTIP_n and TRing_n output pins.</p> <p>To comply with the Isolated DSX-3/STSX-1 Pulse Template Requirements per Bellcore GR-499-CORE or Bellcore GR-253-CORE:</p> <ol style="list-style-type: none"> <li>Set these pins to "1" if the cable length between the Cross-Connect and the transmit output of Channel is greater than 225 feet.</li> <li>Set these pins to "0" if the cable length between the Cross-Connect and the transmit output of Channel is less than 225 feet.</li> </ol> <p>These pins are active only if the following two conditions are true:</p> <ol style="list-style-type: none"> <li>The XRT75L04 is configured to operate in either the DS3 or SONET STS-1 Modes.</li> <li>The XRT75L04 is configured to operate in the Hardware Mode.</li> </ol> <p><b>NOTES:</b></p> <ol style="list-style-type: none"> <li>These pins are internally pulled down.</li> <li>If the XRT75L04 is configured in HOST mode, these pins should be tied to GND.</li> </ol> |

**TRANSMIT INTERFACE**

| PIN #                  | SIGNAL NAME                          | TYPE | DESCRIPTION   |
|------------------------|--------------------------------------|------|---|
| 88                     | TxCiKINV/<br>SCiK                    | I    | <p><b>Hardware Mode: Transmit Clock Invert</b><br/> <b>Host Mode: Serial Clock Input:</b><br/>                     Function of this pin depends on whether the XRT75L04 is configured to operate in Hardware mode or Host mode.<br/>                     In Hardware mode, setting this input pin "High" configures all three Transmitters to sample the TPOS_n and TNEG_n data on the rising edge of the TxCLK_n .</p> <p><b>NOTES:</b></p> <ol style="list-style-type: none"> <li>1. If the XRT75L04 is configured in HOST mode, this pin functions as SCiK input pin (please refer to the pin description for Microprocessor interface).</li> </ol>  |
| 152                    | TxMON                                | I    | <p><b>Transmitter Monitor:</b><br/>                     When this pin is pulled "High", MTIP and MRING are connected internally to TTIP and TRING and allows self monitoring of the transmitter.</p>  |
| 51<br>48<br>170<br>173 | TAOS_0<br>TAOS_1<br>TAOS_2<br>TAOS_3 | I    | <p><b>Transmit All Ones Select - Channel 0:</b><br/> <b>Transmit All Ones Select - Channel 1:</b><br/> <b>Transmit All Ones Select - Channel 2:</b><br/> <b>Transmit All Ones Select - Channel 3:</b><br/>                     A "High" on this pin causes the Transmitter Section of Channel_n to generate and transmit a continuous AMI all "1's" pattern onto the line. The frequency of this "1's" pattern is determined by TxClk_n.</p> <p><b>NOTES:</b></p> <ol style="list-style-type: none"> <li>1. This input pin is ignored if the XRT75L04 is operating in the HOST Mode and should be tied to GND.</li> <li>2. Analog Loopback and Remote Loopback have priority over request.</li> <li>3. This pin is internally pulled down.</li> </ol> |

**RECEIVE INTERFACE**

| PIN #                   | SIGNAL NAME  | TYPE | DESCRIPTION  |
|-------------------------|--|------|--|
| 78<br>71<br>143<br>150  | RxCLK_0<br>RXCLK_1<br>RxCLK_2<br>RxCLK_3                     | O    | <b>Receive Clock Output - Channel 0:</b><br><b>Receive Clock Output - Channel 1:</b><br><b>Receive Clock Output - Channel 2:</b><br><b>Receive Clock Output - Channel 3:</b><br>By default, RPOS and RNEG data sampled on the rising edge RxCLK..<br>Set the RxCLKINV bit to sample RPOS/RNEG data on the falling edge of RxCLK  |
| 80<br>73<br>141<br>148  | RPOS_0<br>RPOS_1<br>RPOS_2<br>RPOS_3                         | O    | <b>Receive Positive Data Output - Channel 0:</b><br><b>Receive Positive Data Output - Channel 1:</b><br><b>Receive Positive Data Output - Channel 2:</b><br><b>Receive Positive Data Output - Channel 3:</b><br><i>NOTE: If the B3ZS/HDB3 Decoder is enabled in Single-rail mode, then the zero suppression patterns in the incoming line signal (such as: "00V", "000V", "B0V", "B00V") is removed and replaced with '0'.</i>   |
| 79<br>72<br>142<br>149  | RNEG_0/LCV_0<br>RNEG_1/LCV_1<br>RNEG_2/LCV_2<br>RNEG_3/LCV_3 | O    | <b>Receive Negative Data Output/Line Code Violation Indicator - Channel 0:</b><br><b>Receive Negative Data Output/Line Code Violation Indicator - Channel 1:</b><br><b>Receive Negative Data Output/Line Code Violation Indicator - Channel 2:</b><br><b>Receive Negative Data Output/Line Code Violation Indicator - Channel 3:</b><br>In Dual Rail mode, a negative pulse is output through RNEG.<br><b>Line Code Violation Indicator - Channel n:</b><br>If configured in Single Rail mode then Line Code Violation will be output. |
| 97<br>106<br>124<br>115 | RRING_0<br>RRING_1<br>RRING_2<br>RRING_3                     | I    | <b>Receive Ring Input - Channel 0:</b><br><b>Receive Ring Input - Channel 1:</b><br><b>Receive Ring Input - Channel 2:</b><br><b>Receive Ring Input - Channel 3:</b><br>These pins along with RTIP receive the bipolar line signal from the remote DS3/E3/STS-1 Terminal.  |
| 98<br>107<br>123<br>114 | RTIP_0<br>RTIP_1<br>RTIP_2<br>RTIP_3                         | I    | <b>Receive TIP Input - Channel 0:</b><br><b>Receive TIP Input - Channel 1:</b><br><b>Receive TIP Input - Channel 2:</b><br><b>Receive TIP Input - Channel 3:</b><br>These pins along with RRING receive the bipolar line signal from the Remote DS3/E3/STS-1 Terminal.   |

RECEIVE INTERFACE

| PIN #                   | SIGNAL NAME                              | TYPE | DESCRIPTION  |
|-------------------------|--|------|--|
| 91<br>100<br>130<br>121 | REQEN_0<br>REQEN_1<br>REQEN_2<br>REQEN_3 | I    | <p><b>Receive Equalizer On/Off - Channel 0:</b><br/> <b>Receive Equalizer On/Off- Channel 1:</b><br/> <b>Receive Equalizer On/Off - Channel 2:</b><br/> <b>Receive Equalier On/Off- Channel 3:</b></p> <p>Tie these pins "High" to enable the receive equalizer.</p> <p><b>NOTES:</b></p> <ol style="list-style-type: none"> <li>1. This input pin is ignored and should be connected to GND if the XRT75L04 is operating in the HOST Mode</li> <li>2. This pin is internally pulled down.</li> </ol>  |
| 87                      | RxON/<br>SDI                             | I    | <p><b>Hardware Mode: Receiver Turn ON Input</b><br/> <b>Host Mode: Serial Data Input:</b></p> <p>Function of this pin depends on whether the XRT75L04 is configured to operate in Hardware mode or Host mode.</p> <p>In Hardware mode, setting this input pin "High" turns on and enables the Receivers of all three channels.</p> <p><b>NOTES:</b></p> <ol style="list-style-type: none"> <li>1. If the XRT75L04 is configured in HOST mode, this pin functions as SDI input pin (please refer to the pin description for Microprocessor Interface)</li> <li>2. This pin is internally pulled down.</li> </ol>  |
| 86                      | RxCiKINV/<br>$\overline{CS}$             | I    | <p><b>Hardware Mode: RxClk INVERT</b><br/> <b>Host Mode: Chip Select:</b></p> <p>Function of this pin depends on whether the XRT75L04 is configured to operate in Hardware mode or Host mode.</p> <p>In Hardware mode, setting this input pin "High" configures the Receiver Section of all channels to invert the RxClk_n output signals and outputs the recovered data via RPOS_n and RNEG_n on the falling edge of RxClk_n.</p> <p><b>NOTE:</b> If the XRT75L04 is configured in HOST mode, this pin functions as CS input pin (please refer to the pin description for Microprocessor Interface).</p>  |
| 85                      | RxMON/<br>SDO                            | I    | <p><b>Hardware Mode: Receive Monitoring Mode</b><br/> <b>Host Mode: Serial Data Output:</b></p> <p>In Hardware mode, when this pin is tied "High" all 4 channels configure into monitoring channels. In the monitoring mode, the Receiver is capable of monitoring the signals with 20 dB flat loss plus 6 dB cable attenuation. This allows monitoring very weak signal before declaring LOS.</p> <p>In HOST Mode each channel can be independently configured to be a monitoring channel by setting the bits in the channel control registers.</p> <p><b>NOTE:</b> If the XRT75L04 is configured in HOST mode, this pin functions as SDO pin (please refer to the pin description for the Microprocessor Interface).</p> |

**CLOCK INTERFACE**

| PIN #                  | SIGNAL NAME  | TYPE | DESCRIPTION   |
|------------------------|--|------|---|
| 69                     | E3CLK  | I    | <p><b>E3 Clock Input (34.368 MHz ± 20 ppm):</b><br/>                     If any of the channels is configured in E3 mode, a reference clock 34.368 MHz is applied on this pin.<br/> <i>NOTE: In single frequency mode, this reference clock is not required.</i></p>  |
| 67                     | DS3CLK   | I    | <p><b>DS3 Clock Input (44.736 MHz ± 20 ppm):</b><br/>                     If any of the channels is configured in DS3 mode, a reference clock 44.736 MHz. is applied on this pin.<br/> <i>NOTE: In single frequency mode, this reference clock is not required.</i></p>   |
| 65                     | STS-1CLK/ 12M  | I    | <p><b>STS-1 Clock Input (51.84 MHz ± 20 ppm):</b><br/>                     If any of the channels is configured in STS-1 mode, a reference clock 51.84 MHz is applied on this pin..<br/>                     In Single Frequency Mode, a reference clock of 12.288 MHz ± 20 ppm is connected to this pin and the internal clock synthesizer generates the appropriate clock frequencies based on the configuration of the channels in E3, DS3 or STS-1.</p>   |
| 156                    | SFM_EN   | I    | <p><b>Single Frequency Mode Enable:</b><br/>                     Tie this pin "High" to enable the Single Frequency Mode. A reference clock of 12.288 MHz ± 20 ppm is applied. This offers the flexibility of using a low cost reference clock and configures the board for either E3 or DS3 or STS-1 without the need to change any components on the board.<br/>                     In the Single Frequency Mode (SFM) an output clock is provided for each channel if the CLK_EN bit is set thus eliminating the need for a separate clock source for the framer.<br/>                     Tie this pin "Low" if single frequency mode is not selected. In this case, the appropriate reference clocks must be provided.<br/> <i>NOTE: This pin is internally pulled down</i></p> |
| 57<br>54<br>164<br>167 | CLKOUTEN_0<br>CLKOUTEN_1<br>CLKOUTEN_2<br>CLKOUTEN_3 | O    | <p><b>Clock output enable for channel 0</b><br/> <b>Clock output enable for channel 1</b><br/> <b>Clock output enable for channel 2</b><br/> <b>Clock output enable for channel 3</b><br/>                     Pull this pin "High" to output low jitter clock on the CLKOUT_n pins.<br/> <i>NOTES:</i></p> <ol style="list-style-type: none"> <li>This clock output is only available in SFM mode.</li> <li>The maximum drive capability for the clockouts is 16 mA.</li> </ol>  |
| 60<br>63<br>161<br>158 | CLKOUT_0<br>CLKOUT_1<br>CLKOUT_2<br>CLKOUT_3         | O    | <p><b>Clock output for channel 0</b><br/> <b>Clock output for channel 1</b><br/> <b>Clock output for channel 2</b><br/> <b>Clock output for channel 3</b><br/>                     If CLKOUTEN_n pin is "High", low jitter clock is output for each channel. Frequency of these clocks is based on the mode (E3,DS3 or STS-1) the channels are configured.<br/>                     This eliminates the need for a separate clock source for the framer.<br/> <i>NOTES:</i></p> <ol style="list-style-type: none"> <li>This clock output is only available in SFM mode.</li> <li>The maximum drive capability for the clockouts is 16 mA.</li> </ol>  |

**CONTROL AND ALARM INTERFACE**

| PIN #                  | SIGNAL NAME                              | TYPE | DESCRIPTION   |
|------------------------|--|------|---|
| 36<br>24<br>9<br>21    | MRING_0<br>MRING_1<br>MRING_2<br>MRING_3 | I    | <p><b>Monitor Ring Input - Channel 0:</b><br/> <b>Monitor Ring Input - Channel 1:</b><br/> <b>Monitor Ring Input - Channel 2:</b><br/> <b>Monitor Ring Input - Channel 3:</b></p> <p>The bipolar line output signal from TRING_n is connected to this pin via a 270 Ω resistor to check for line driver failure.<br/> <b>NOTE: This pin is internally pulled "Low".</b></p>   |
| 37<br>25<br>8<br>20    | MTIP_0<br>MTIP_1<br>MTIP_2<br>MTIP_3     | I    | <p><b>Monitor Tip Input - Channel 0:</b><br/> <b>Monitor Tip Input - Channel 1:</b><br/> <b>Monitor Tip Input - Channel 2:</b><br/> <b>Monitor Tip Input - Channel 3:</b></p> <p>The bipolar line output signal from TTIP_n is connected to this pin via a 270-ohm resistor to check for line driver failure.<br/> <b>NOTE: This pin is internally pulled "Low".</b></p>  |
| 42<br>30<br>3<br>15    | DMO_0<br>DMO_1<br>DMO_2<br>DMO_3         | O    | <p><b>Drive Monitor Output - Channel 0:</b><br/> <b>Drive Monitor Output - Channel 1:</b><br/> <b>Drive Monitor Output - Channel 2:</b><br/> <b>Drive Monitor Output - Channel 3:</b></p> <p>If MTIP_n and MRING_n has no transition pulse for 128 ± 32 TxCLK_n cycles, DMO_n goes "High" to indicate the driver failure. DMO_n output stays "High" until the next AMI signal is detected.</p>  |
| 83<br>76<br>138<br>145 | RLOS_0<br>RLOS_1<br>RLOS_2<br>RLOS_3     | O    | <p><b>Receive Loss of Signal Output Indicator - Channel 0:</b><br/> <b>Receive Loss of Signal Output Indicator - Channel 1:</b><br/> <b>Receive Loss of Signal Output Indicator - Channel 2:</b><br/> <b>Receive Loss of Signal Output Indicator - Channel 3:</b></p> <p>This output pin toggles "High" if the receiver has detected a Loss of Signal Condition.<br/> The criteria for declaring /clearing an LOS Condition depends upon whether it is operating in the E3 or STS-1/DS3 Mode.</p>   |
| 82<br>75<br>139<br>146 | RLOL_0<br>RLOL_1<br>RLOL_2<br>RLOL_3     | O    | <p><b>Receive Loss of Lock Output Indicator - Channel 0:</b><br/> <b>Receive Loss of Lock Output Indicator - Channel 1:</b><br/> <b>Receive Loss of Lock Output Indicator - Channel 2:</b><br/> <b>Receive Loss of Lock Output Indicator - Channel 3:</b></p> <p>This output pin toggles "High" if a Loss of Lock Condition is detected. LOL (Loss of Lock) condition occurs if the recovered clock frequency deviates from the Reference Clock frequency (available at either E3CLK or DS3CLK or STS-1CLK input pins) by more than 0.5%.</p> |
| 111                    | RXA                                      | **** | <p><b>External Resistor of 3 K Ω ± 1%.</b><br/> Should be connected between RxA and RxB for internal bias.</p>  |
| 110                    | RXB                                      | **** | <p><b>External Resistor of 3K Ω ±1%.</b><br/> Should be connected between RxA and RxB for internal bias.</p>  |

**CONTROL AND ALARM INTERFACE**

| 131                     | $\overline{\text{ICT}}$            | I                | <p><b>In-Circuit Test Input:</b></p> <p>Setting this pin "Low" causes all digital and analog outputs to go into a high-impedance state to allow for in-circuit testing. For normal operation, tie this pin "High".</p> <p><b>NOTE:</b> This pin is internally pulled "High".</p>   |       |       |               |   |   |                  |   |   |              |   |   |        |   |   |         |
|-------------------------|------------------------------------|------------------|--|-------|-------|---------------|---|---|------------------|---|---|--------------|---|---|--------|---|---|---------|
| 132                     | TEST                               | ****             | <p><b>Factory Test Pin</b></p> <p><b>NOTE:</b> This pin must be connected to GND for normal operation.</p>   |       |       |               |   |   |                  |   |   |              |   |   |        |   |   |         |
| 84                      | LOSMUT/<br>$\overline{\text{INT}}$ | I/O              | <p><b>Hardware Mode: MUTE-upon-LOS Enable Input</b></p> <p><b>Host Mode: Interrupt Output:</b></p> <p>In Hardware Mode, setting pin "High" configures all three channels to Mute the recovered data on the RPOS_n and RNEG_n whenever one of the channels declares an LOS condition. RPOS_n and RNEG_n outputs are pulled "Low". Muting of the output data can be configured/controlled on a per channel basis in Host Mode.</p> <p><b>NOTE:</b> If the XRT75L04 is configured in HOST mode, this pin functions as <math>\overline{\text{INT}}</math> pin (please refer to the pin description for the Microprocessor Interface).</p>  |       |       |               |   |   |                  |   |   |              |   |   |        |   |   |         |
| 94<br>103<br>127<br>118 | LLB_0<br>LLB_1<br>LLB_2<br>LLB_3   | I                | <p><b>Local Loop-back - Channel 0:</b></p> <p><b>Local Loop-back - Channel 1:</b></p> <p><b>Local Loop-back - Channel 2:</b></p> <p><b>Local Loop-back - Channel 3:</b></p> <p>This input pin along with RLB_n configures different Loop-Back modes.</p> <p>A "High" on this pin with RLB_n set to "Low" configures Channel_n to operate in the Analog Local Loop-back Mode.</p> <p>A "High" on this pin with RLB_n set to "High" configures Channel_n to operate in the Digital Local Loop-back Mode.</p> <p><b>NOTE:</b> This input pin is ignored and should be connected to GND if the XRT75L04 is operating in the HOST Mode.</p>   |       |       |               |   |   |                  |   |   |              |   |   |        |   |   |         |
| 95<br>104<br>126<br>117 | RLB_0<br>RLB_1<br>RLB_2<br>RLB_3   | I                | <p><b>Remote Loop-back - Channel 0:</b></p> <p><b>Remote Loop-back - Channel 1:</b></p> <p><b>Remote Loop-back - Channel 2:</b></p> <p><b>Remote Loop-back - Channel 3:</b></p> <p>This input pin along with LLB_n configures different Loop-Back modes.</p> <p>A "High" on this pin with LLB_n set to "Low" configures Channel_n to operate in the Remote Loop-back Mode.</p> <p>A "High" on this pin with LLB_n set to "High" configures Channel_n to operate in the Digital Local Loop-back Mode.</p> <table border="1" style="margin-left: auto; margin-right: auto;"> <thead> <tr> <th>RLB_n</th> <th>LLB_n</th> <th>Loopback Mode</th> </tr> </thead> <tbody> <tr> <td>0</td> <td>0</td> <td>Normal Operation</td> </tr> <tr> <td>0</td> <td>1</td> <td>Analog Local</td> </tr> <tr> <td>1</td> <td>0</td> <td>Remote</td> </tr> <tr> <td>1</td> <td>1</td> <td>Digital</td> </tr> </tbody> </table> <p><b>NOTE:</b> This input pin is ignored and should be connected to GND if the XRT75L04 is operating in the HOST Mode.</p> | RLB_n | LLB_n | Loopback Mode | 0 | 0 | Normal Operation | 0 | 1 | Analog Local | 1 | 0 | Remote | 1 | 1 | Digital |
| RLB_n                   | LLB_n                              | Loopback Mode    |  |       |       |               |   |   |                  |   |   |              |   |   |        |   |   |         |
| 0                       | 0                                  | Normal Operation |  |       |       |               |   |   |                  |   |   |              |   |   |        |   |   |         |
| 0                       | 1                                  | Analog Local     |  |       |       |               |   |   |                  |   |   |              |   |   |        |   |   |         |
| 1                       | 0                                  | Remote           |  |       |       |               |   |   |                  |   |   |              |   |   |        |   |   |         |
| 1                       | 1                                  | Digital          |  |       |       |               |   |   |                  |   |   |              |   |   |        |   |   |         |

**OPERATING MODE SELECT**

| PIN #                   | SIGNAL NAME  | TYPE | DESCRIPTION  |
|-------------------------|--|------|--|
| 134                     | HOST/(HW)  | I    | <b>HOST/Hardware Mode Select:</b><br>Tie this pin "High" to configure in HOST mode. Tie this "Low" to configure in Hardware mode.<br>When configured in HOST mode, the states of many of the discrete input pins are controlled by internal register bits.<br><b>NOTE:</b> This pin is internally pulled up.   |
| 92<br>101<br>129<br>120 | E3_0<br>E3_1<br>E3_2<br>E3_3                             | I    | <b>E3 Mode Select Input</b><br>A "High" on this pin configures Channel_n to operate in E3 mode.<br>A "Low" on this pin configures Channel_n to operate in either STS-1 or DS3 mode depending on the settings on pins 93,102,128 and 119 pins.<br><b>NOTES:</b> <ol style="list-style-type: none"> <li>This pin is internally pulled down</li> <li>This pin is ignored and should be tied to GND if configured to operate in HOST mode.</li> </ol>      |
| 93<br>102<br>128<br>119 | STS-1/DS3_0<br>STS-1/DS3_1<br>STS-1/DS3_2<br>STS-1/DS3_3 | I    | <b>STS-1/DS3 Select Input</b><br>A "High" on these pins configures the Channel_n to operate in STS-1 mode.<br>A "Low" on these pins configures the Channel_n to operate in DS3 mode.<br>These pins are ignored if the E3_n pins are set to "High".<br><b>NOTES:</b> <ol style="list-style-type: none"> <li>This pin is internally pulled down</li> <li>This pin is ignored and should be tied to GND if configured to operate in HOST mode.</li> </ol> |
| 136                     | SR/DR  | I    | <b>Single-Rail/Dual-Rail Select:</b><br>Setting this "High" configures both the Transmitter and Receiver to operate in Single-rail mode and also enables the B3ZS/HDB3 Encoder and Decoder. In Single-rail mode, TNEG_n pin should be grounded.<br>Setting this "Low" configures both the Transmitter and Receiver to operate in Dual-rail mode and disables the B3ZS/HDB3 Encoder and Decoder.<br><b>NOTE:</b> This pin is internally pulled down.    |

**SERIAL MICROPROCESSOR INTERFACE**

|    |                  |   |  |
|----|------------------|---|--|
| 86 | CS<br>RxCLKINV   | I | <b>Microprocessor Serial Interface - Chip Select</b><br>Toggle this pin "Low" to enable the communication with the Microprocessor Serial Interface.( see figures 10 & 11)<br><b>NOTE:</b> If configured in Hardware Mode, this pin functions as RxCLKINV.  |
| 88 | SClk<br>TxCLKINV | I | <b>Serial Interface Clock Input</b><br>The data on the SDI pin is sampled on the rising edge of this signal. Additionally, during Read operations the Microprocessor Serial Interface updates the SDO output on the falling edge of this signal.<br><b>NOTE:</b> If configured in Hardware Mode, this pin functions as TxCLKINV. |

**SERIAL MICROPROCESSOR INTERFACE**

|     |                                   |     |  |
|-----|-----------------------------------|-----|--|
| 87  | SDI<br>RxON                       | I   | <p><b>Serial Data Input:</b><br/>Data is serially input through this pin.<br/>The input data is sampled on the rising edge of the SClk pin (pin 88).</p> <p><b>NOTES:</b></p> <ol style="list-style-type: none"> <li>1. This pin is internally pulled down</li> <li>2. If configured in Hardware Mode, this pin functions as RxON.</li> </ol>  |
| 85  | SDO<br>RxMON                      | I/O | <p><b>Serial Data Output:</b><br/>This pin serially outputs the contents of the specified Command Register during Read Operations. The data is updated on the falling edge of the SClk and this pin is tri-stated upon completion of data transfer.</p> <p><b>NOTE:</b> If configured in Hardware Mode, this pin functions as RxMON.</p>   |
| 84  | $\overline{\text{INT}}$<br>LOSMUT | I/O | <p><b>INTERRUPT Output:</b><br/>This pin functions as Interrupt Output for Serial Interface. A transition to "Low" indicates that an interrupt has been generated by the Serial Interface. The interrupt function can be disabled by setting the interrupt enable bit to "0" in the Channel Control Register.</p> <p><b>NOTES:</b></p> <ol style="list-style-type: none"> <li>1. In Hardware mode, this pin functions as LOSMUT.</li> <li>2. This pin will remain asserted "Low" until the interrupt is serviced.</li> </ol> |
| 133 | $\overline{\text{RESET}}$         | I   | <p><b>Register Reset:</b><br/>Setting this input pin "Low" causes the XRT75L04 to reset the contents of the Command Registers to their default settings and default operating configuration</p> <p><b>NOTE:</b> This pin is internally pulled up.</p>  |

**JITTER ATTENUATOR INTERFACE**

| PIN # | SIGNAL NAME | TYPE                      | DESCRIPTION   |     |     |      |   |   |             |   |   |             |   |   |                           |   |   |                           |
|-------|-------------|---------------------------|---|-----|-----|------|---|---|-------------|---|---|-------------|---|---|---------------------------|---|---|---------------------------|
| 154   | JA1         | I                         | <p><b>Jitter Attenuator Select 1:</b><br/>In Hardware Mode, this pin along with the pin JA0 configures the Jitter Attenuator as shown in the table.</p> <table border="1" style="margin-left: auto; margin-right: auto;"> <thead> <tr> <th>JA0</th> <th>JA1</th> <th>Mode</th> </tr> </thead> <tbody> <tr> <td>0</td> <td>0</td> <td>16 bit FIFO</td> </tr> <tr> <td>0</td> <td>1</td> <td>32 bit FIFO</td> </tr> <tr> <td>1</td> <td>0</td> <td>Disable Jitter Attenuator</td> </tr> <tr> <td>1</td> <td>1</td> <td>Disable Jitter Attenuator</td> </tr> </tbody> </table> <p><b>NOTE:</b> This pin is internally pulled down.</p> | JA0 | JA1 | Mode | 0 | 0 | 16 bit FIFO | 0 | 1 | 32 bit FIFO | 1 | 0 | Disable Jitter Attenuator | 1 | 1 | Disable Jitter Attenuator |
| JA0   | JA1         | Mode                      |   |     |     |      |   |   |             |   |   |             |   |   |                           |   |   |                           |
| 0     | 0           | 16 bit FIFO               |   |     |     |      |   |   |             |   |   |             |   |   |                           |   |   |                           |
| 0     | 1           | 32 bit FIFO               |   |     |     |      |   |   |             |   |   |             |   |   |                           |   |   |                           |
| 1     | 0           | Disable Jitter Attenuator |   |     |     |      |   |   |             |   |   |             |   |   |                           |   |   |                           |
| 1     | 1           | Disable Jitter Attenuator |   |     |     |      |   |   |             |   |   |             |   |   |                           |   |   |                           |

**JITTER ATTENUATOR INTERFACE**

|     |         |   |   |
|-----|---------|---|---|
| 155 | JATx/Rx | I | <b>Jitter Attenuator Path Select</b><br>In Hardware Mode, tie this pin “High” to select the Jitter Attenuator in the Transmit Path . Connect this pin “Low” to select the Jitter Attenuator in the Receive Path. This applies to all4 channels.<br><b>NOTE:</b> This pin is internally pulled down. |
| 153 | JA0     | I | <b>Jitter Attenuator Select 0:</b><br>In Hardware Mode, this pin along with pin 154 configures the Jitter Attenuator as shown in the above table for JA1 pin 154.<br><b>NOTE:</b> This pin is internally pulled down.   |

**ANALOG POWER AND GROUND**

| PIN # | SIGNAL NAME | TYPE | DESCRIPTION                                       |
|-------|-------------|------|---|
| 43    | TxAVDD_0    | **** | Transmitter Analog 3.3 V $\pm$ 5% VDD - Channel 0 |
| 31    | TxAVDD_1    | **** | Transmitter Analog 3.3 V $\pm$ 5% VDD - Channel 1 |
| 2     | TxAVDD_2    | **** | Transmitter Analog 3.3 V $\pm$ 5% VDD - Channel 2 |
| 14    | TxAVDD_3    | **** | Transmitter Analog 3.3 V $\pm$ 5% VDD - Channel 3 |
| 35    | TxAGND_0    | **** | Transmitter Analog GND - Channel 0                |
| 23    | TxAGND_1    | **** | Transmitter Analog GND - Channel 1                |
| 10    | TxAGND_2    | **** | Transmitter Analog GND - Channel 2                |
| 22    | TxAGND_3    | **** | Transmitter Analog GND - Channel 3                |
| 96    | RxAVDD_0    | **** | Receiver Analog 3.3 V $\pm$ 5% VDD - Channel 0    |
| 105   | RxAVDD_1    | **** | Receiver Analog 3.3 V $\pm$ 5% VDD - Channel 1    |
| 125   | RxAVDD_2    | **** | Receiver Analog 3.3 V $\pm$ 5% VDD - Channel 2    |
| 116   | RxAVDD_3    | **** | Receiver Analog 3.3 V $\pm$ 5% VDD - Channel 3    |
| 99    | RxAGND_0    | **** | Receiver Analog GND - Channel_0                   |
| 108   | RxAGND_1    | **** | Receive Analog GND - Channel 1                    |
| 122   | RxAGND_2    | **** | Receive Analog GND - Channel 2                    |
| 113   | RxAGND_3    | **** | Receive Analog GND - Channel 3                    |
| 58    | JaAVDD_0    | **** | Analog 3.3 V $\pm$ 5% VDD - Channel 0             |
| 53    | JaAVDD_1    | **** | Analog 3.3 V $\pm$ 5% VDD - Channel 1             |
| 163   | JaAVDD_2    | **** | Analog 3.3 V $\pm$ 5% VDD - Channel 2             |
| 168   | JaAVDD_3    | **** | Analog 3.3 V $\pm$ 5% VDD - Channel 3             |
| 56    | JaAGND_0    | **** | Analog GND - Channel 0                            |
| 55    | JaAGND_1    | **** | Analog GND - Channel 1                            |
| 165   | JaAGND_2    | **** | Analog GND - Channel 2                            |

**ANALOG POWER AND GROUND**

| <b>PIN #</b> | <b>SIGNAL NAME</b> | <b>TYPE</b> | <b>DESCRIPTION</b>                    |
|--------------|--------------------|-------------|---------------------------------------|
| 166          | JaAGND_3           | ****        | Analog GND - Channel 3                |
| 89           | AGND               | ****        | Analog GND                            |
| 90           | AGND               | ****        | Analog GND                            |
| 109          | REFAVDD            | ****        | Analog 3.3 V $\pm$ 5% VDD - Reference |
| 112          | REFAGND            | ****        | Reference GND                         |

**DIGITAL POWER AND GROUND**

| PIN # | SIGNAL NAME | TYPE | DESCRIPTION                              |
|-------|-------------|------|--|
| 40    | TxVDD_0     | **** | Transmitter 3.3 V $\pm$ 5% VDD Channel 0 |
| 28    | TxVDD_1     | **** | Transmitter 3.3 V $\pm$ 5% VDD Channel 1 |
| 5     | TxVDD_2     | **** | Transmitter 3.3 V $\pm$ 5% VDD Channel 2 |
| 17    | TxVDD_3     | **** | Transmitter 3.3 V $\pm$ 5% VDD Channel 3 |
| 38    | TxGND_0     | **** | Transmitter GND - Channel 0              |
| 26    | TxGND_1     | **** | Transmitter GND - Channel 1              |
| 7     | TxGND_2     | **** | Transmitter GND - Channel 2              |
| 19    | TxGND_3     | **** | Transmitter GND - Channel 3              |
| 77    | DVDD_0      | **** | Receiver 3.3 V $\pm$ 5% VDD - Channel 0  |
| 70    | DVDD_1      | **** | Receiver 3.3 V $\pm$ 5% VDD - Channel 1  |
| 144   | DVDD_2      | **** | Receiver 3.3 V $\pm$ 5% VDD - Channel 2  |
| 151   | DVDD_3      | **** | Receiver 3.3 V $\pm$ 5% VDD - Channel 3  |
| 81    | DGND_0      | **** | Receiver Digital GND - Channel 0         |
| 74    | DGND_1      | **** | Receiver Digital GND - Channel 1         |
| 140   | DGND_2      | **** | Receiver Digital GND - Channel 2         |
| 147   | DGND_3      | **** | Receiver Digital GND - Channel 3         |
| 59    | JaDVDD_0    | **** | VDD 3.3 V $\pm$ 5%                       |
| 64    | JaDVDD_1    | **** | VDD 3.3 V $\pm$ 5%                       |
| 162   | JaDVDD_2    | **** | VDD 3.3 V $\pm$ 5%                       |
| 157   | JaDVDD_3    | **** | VDD 3.3 V $\pm$ 5%                       |
| 61    | JaDGND_0    | **** | GND                                      |
| 62    | JaDGND_1    | **** | Digital GND                              |
| 160   | JaDGND_2    | **** | Digital GND                              |
| 159   | JaDGND_3    | **** | Digital GND                              |
| 68    | CLKVDD      | **** | VDD 3.3 V $\pm$ 5%                       |
| 66    | CLKGND      | **** | Digital GND                              |

**1.0 ELECTRICAL CHARACTERISTICS**
**TABLE 1: ABSOLUTE MAXIMUM RATINGS**

| SYMBOL            | PARAMETER                     | MIN  | MAX   | UNITS | COMMENTS                   |
|-------------------|-------------------------------|------|-------|-------|----------------------------|
| V <sub>DD</sub>   | Supply Voltage                | -0.5 | 5.0   | V     | Note 1                     |
| V <sub>IN</sub>   | Input Voltage at any Pin      | -0.5 | 5+0.5 | V     | Note 1                     |
| I <sub>IN</sub>   | Input current at any pin      |      | 100   | mA    | Note 1                     |
| S <sub>TEMP</sub> | Storage Temperature           | -65  | 150   | °C    | Note 1                     |
| A <sub>TEMP</sub> | Ambient Operating Temperature | -40  | 85    | °C    | linear airflow 0 ft./min   |
| ThetaJA           | Thermal Resistance            |      | 26.6  | °C/W  | linear air flow 0ft/min    |
| ThetaJC           |                               |      | 7.2   | °C/W  |                            |
| M <sub>LEVL</sub> | Exposure to Moisture          | 5    |       | level | EIA/JEDEC<br>JESD22-A112-A |
| ESD               | ESD Rating                    |      | 2000  | V     | Note 2                     |

**NOTES:**

1. Exposure to or operating near the Min or Max values for extended period may cause permanent failure and impair reliability of the device.
2. ESD testing method is per MIL-STD-883D,M-3015.7

**TABLE 2: DC ELECTRICAL CHARACTERISTICS:**

| SYMBOL           | PARAMETER  | MIN.  | TYP. | MAX.  | UNITS |
|------------------|--|-------|------|-------|-------|
| DV <sub>DD</sub> | Digital Supply Voltage   | 3.135 | 3.3  | 3.465 | V     |
| AV <sub>DD</sub> | Analog Supply Voltage  | 3.135 | 3.3  | 3.465 | V     |
| I <sub>CC</sub>  | Supply current (Measured while transmitting and receiving all 1's) |       | 450  | 520   | mA    |
| P <sub>DD</sub>  | Power Dissipation  |       | 1.3  | 1.5   | W     |
| V <sub>IL</sub>  | Input Low Voltage  |       |      | 0.8   | V     |
| V <sub>IH</sub>  | Input High Voltage   | 2.0   |      | 5.0   | V     |
| V <sub>OL</sub>  | Output Low Voltage, I <sub>OUT</sub> = - 4mA                       |       |      | 0.4   | V     |
| V <sub>OH</sub>  | Output High Voltage, I <sub>OUT</sub> = 4 mA                       | 2.4   |      |       | V     |
| I <sub>L</sub>   | Input Leakage Current <sup>1</sup>                                 |       |      | ±10   | µA    |
| C <sub>I</sub>   | Input Capacitance  |       |      | 10    | pF    |
| C <sub>L</sub>   | Load Capacitance   |       |      | 10    | pF    |

**NOTES:**

1. Not applicable for pins with pull-up or pull-down resistors.
2. The Digital inputs and outputs are TTL 5V compliant.

2.0 TIMING CHARACTERISTICS

FIGURE 3. TYPICAL INTERFACE BETWEEN TERMINAL EQUIPMENT AND THE XRT75L04 (DUAL-RAIL DATA)

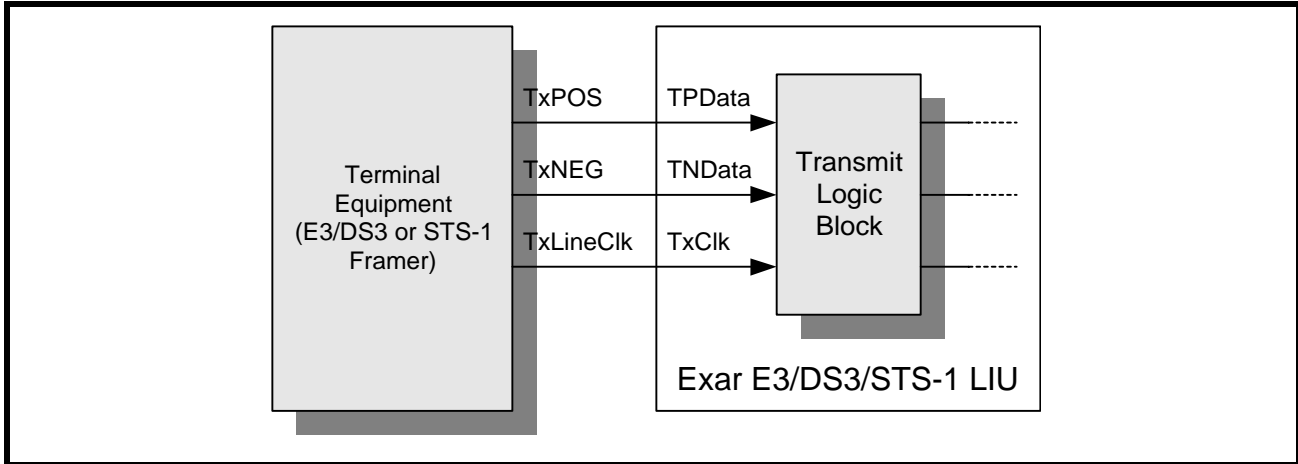
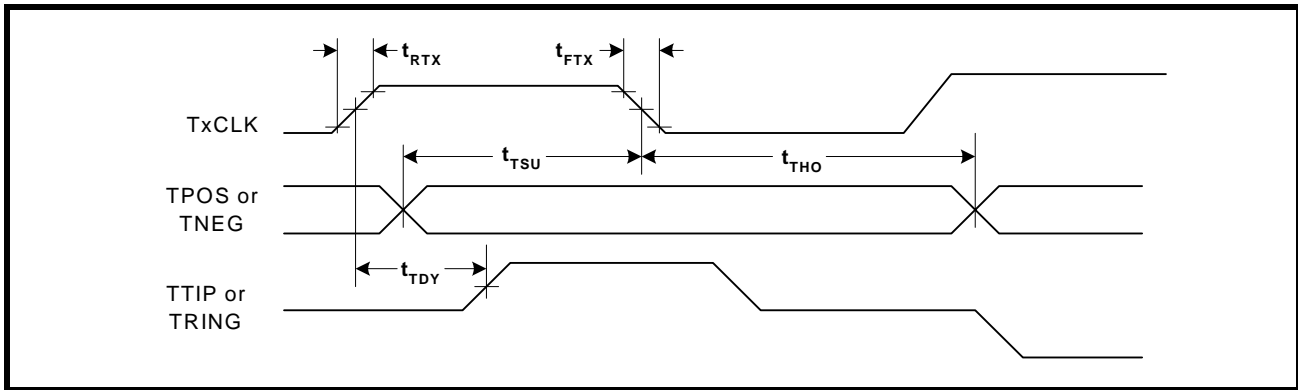
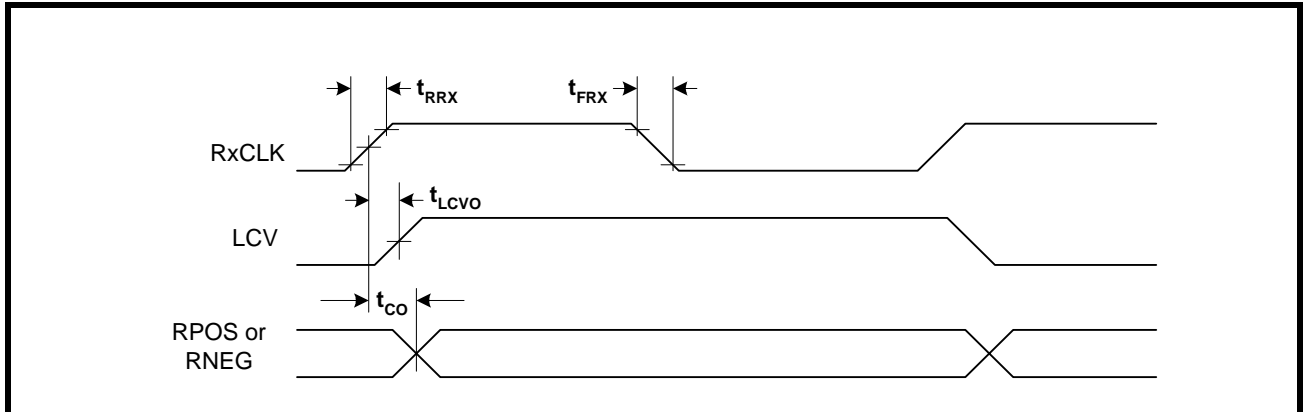


FIGURE 4. TRANSMITTER TERMINAL INPUT TIMING



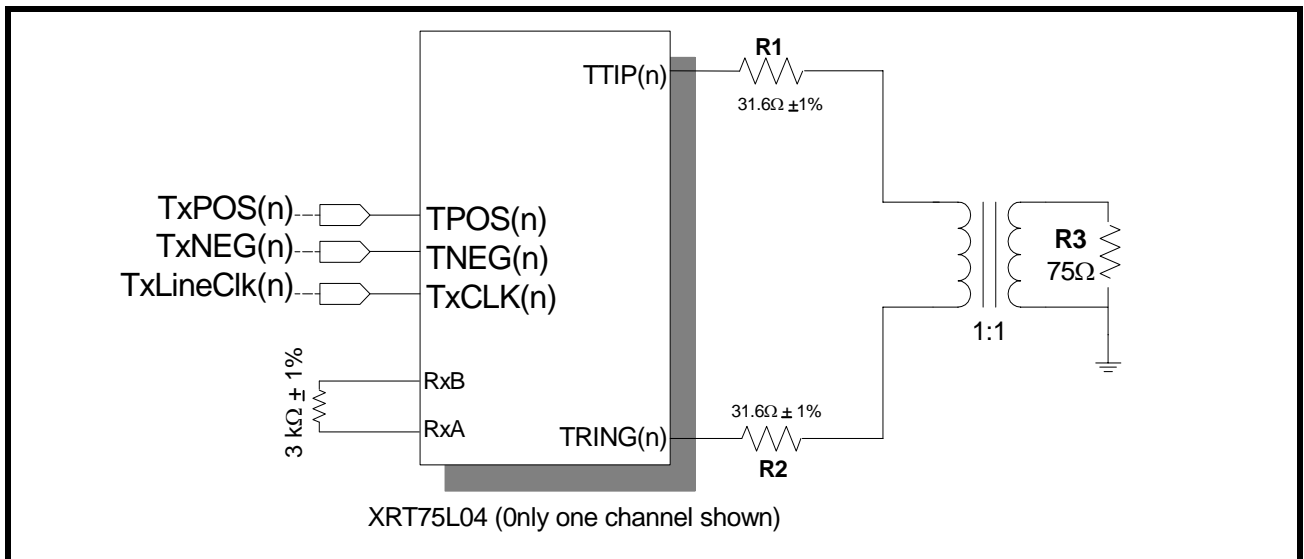
| SYMBOL    | PARAMETER   | MIN | TYP    | MAX | UNITS |
|-----------|---|-----|--------|-----|-------|
| TxClk     | Duty Cycle  | 30  | 50     | 70  | %     |
|           | E3  |     | 34.368 |     | MHz   |
|           | DS3   |     | 44.736 |     | MHz   |
|           | STS-1   |     | 51.84  |     | MHz   |
| $t_{RTX}$ | TxCLK Rise Time (10% to 90%)                      |     |        | 4   | ns    |
| $t_{FTX}$ | TxCLK Fall Time (10% to 90%)                      |     |        | 4   | ns    |
| $t_{TSU}$ | TPOS/TNEG to TxCLK falling set up time            | 3   |        |     | ns    |
| $t_{THO}$ | TPOS/TNEG to TxCLK falling hold time              | 3   |        |     | ns    |
| $t_{TDY}$ | TTIP/TRING to TxCLK rising propagation delay time |     | 8      |     | ns    |

**FIGURE 5. RECEIVER DATA OUTPUT AND CODE VIOLATION TIMING**



| SYMBOL     | PARAMETER                                | MIN | TYP                             | MAX | UNITS                  |
|------------|--|-----|---------------------------------|-----|------------------------|
| RxClk      | Duty Cycle<br>E3<br>DS3<br>STS-1         | 45  | 50<br>34.368<br>44.736<br>51.84 | 55  | %<br>MHz<br>MHz<br>MHz |
| $t_{RRX}$  | RxCLK rise time (10% to 90%)             |     | 2                               | 4   | ns                     |
| $t_{FRX}$  | RxCLK falling time (10% to 90%)          |     | 2                               | 4   | ns                     |
| $t_{CO}$   | RxCLK to RPOS/RNEG delay time            |     |                                 | 4   | ns                     |
| $t_{LCVO}$ | RxCLK to rising edge of LCV output delay |     | 2.5                             |     | ns                     |

**FIGURE 6. TRANSMIT INTERFACE CIRCUIT FOR E3, DS3 AND STS-1 RATES**



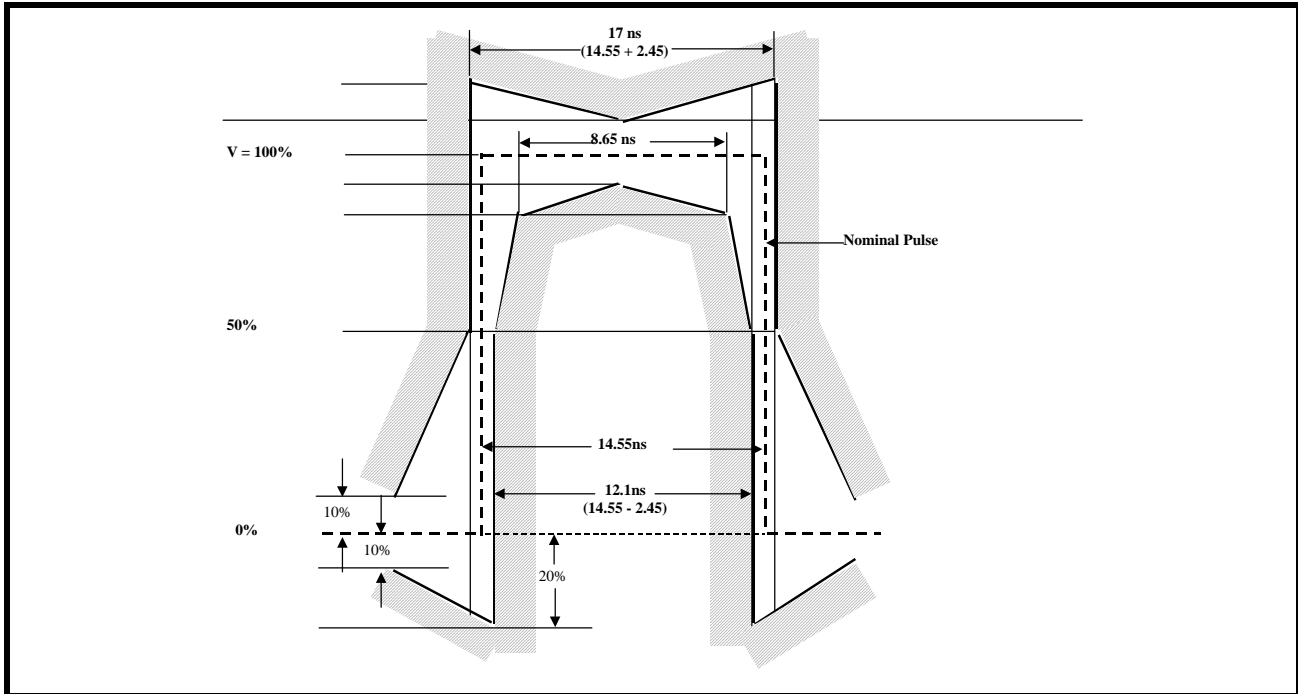
**FOUR CHANNEL E3/DS3/STS-1 LINE INTERFACE UNIT WITH JITTER ATTENUATOR**

**3.0 LINE SIDE CHARACTERISTICS:**

**3.1 E3 line side parameters:**

The XRT75L04 line output at the transformer output meets the pulse shape specified in ITU-T G.703 for 34.368 Mbits/s operation. The pulse mask as specified in ITU-T G.703 for 34.368 Mbits/s is shown in Figure 7.

**FIGURE 7. PULSE MASK FOR E3 (34.368 MBITS/S) INTERFACE AS PER ITU-T G.703**



**TABLE 3: E3 TRANSMITTER LINE SIDE OUTPUT AND RECEIVER LINE SIDE INPUT SPECIFICATIONS**

| PARAMETER   | MIN  | TYP   | MAX  | UNITS            |
|---|------|-------|------|------------------|
| <b>TRANSMITTER LINE SIDE OUTPUT CHARACTERISTICS</b>                           |      |       |      |                  |
| Transmit Output Pulse Amplitude<br>(Measured at secondary of the transformer) | 0.90 | 1.00  | 1.10 | V <sub>pk</sub>  |
| Transmit Output Pulse Amplitude Ratio   | 0.95 | 1.00  | 1.05 |                  |
| Transmit Output Pulse Width   | 12.5 | 14.55 | 16.5 | ns               |
| <b>RECEIVER LINE SIDE INPUT CHARACTERISTICS</b>                               |      |       |      |                  |
| Receiver Sensitivity (length of cable)  |      | 1200  |      | feet             |
| Interference Margin   | -20  | -16   |      | dB               |
| Jitter Tolerance @ Jitter Frequency 800KHz                                    | 0.15 | 0.30  |      | UI <sub>PP</sub> |
| Signal level to Declare Loss of Signal  |      |       | -35  | dB               |
| Signal Level to Clear Loss of Signal  | -15  |       |      | dB               |
| Occurence of LOS to LOS Declaration Time                                      | 10   |       | 255  | UI               |
| Termination of LOS to LOS Clearance Time                                      | 10   |       | 255  | UI               |

**NOTE:** The above values are at

TA = 25°C and V<sub>DD</sub> = 3.3 V ± 5%.

FIGURE 8. BELLCORE GR-253 CORE TRANSMIT OUTPUT PULSE TEMPLATE FOR SONET STS-1 APPLICATIONS

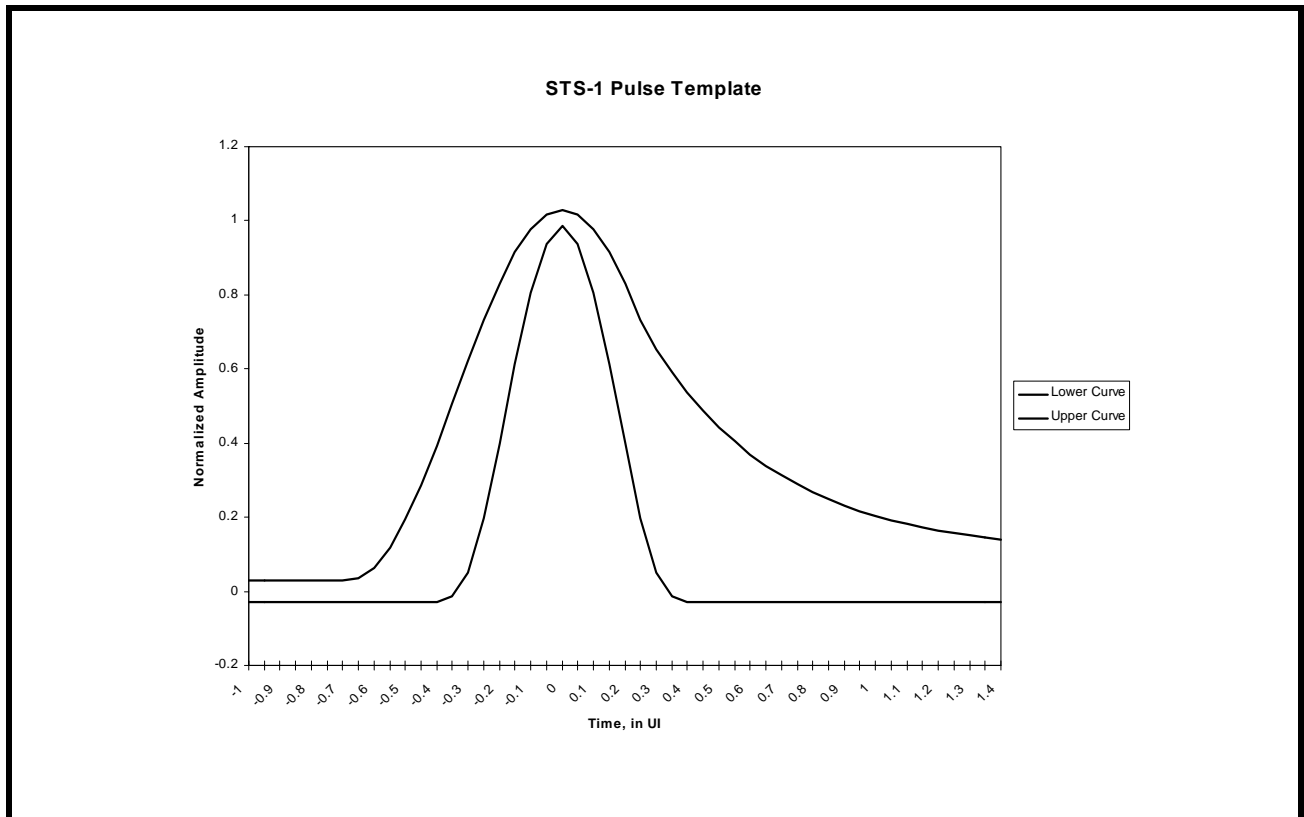


TABLE 4: STS-1 PULSE MASK EQUATIONS

| TIME IN UNIT INTERVALS    | NORMALIZED AMPLITUDE   |
|---------------------------|--|
| <b>LOWER CURVE</b>        |  |
| $-0.85 \leq T \leq -0.38$ | - 0.03   |
| $-0.38 \leq T \leq 0.36$  | $0.5 \left[ 1 + \sin \frac{\pi}{2} \left( 1 + \frac{T}{0.18} \right) \right] - 0.0;$ |
| $0.36 \leq T \leq 1.4$    | - 0.03   |
| <b>UPPER CURVE</b>        |  |
| $-0.85 \leq T \leq -0.68$ | 0.03   |
| $-0.68 \leq T \leq 0.26$  | $0.5 \left[ 1 + \sin \frac{\pi}{2} \left( 1 + \frac{T}{0.34} \right) \right] + 0.0;$ |
| $0.26 \leq T \leq 1.4$    | $0.1 + 0.61 \times e^{-2.4[T-0.26]}$   |

**TABLE 5: STS-1 TRANSMITTER LINE SIDE OUTPUT AND RECEIVER LINE SIDE INPUT SPECIFICATIONS (GR-253)**

| PARAMETER  | MIN  | TYP  | MAX  | UNITS            |
|--|------|------|------|------------------|
| <b>TRANSMITTER LINE SIDE OUTPUT CHARACTERISTICS</b>          |      |      |      |                  |
| Transmit Output Pulse Amplitude<br>(measured with TxLEV = 0) | 0.65 | 0.75 | 0.90 | V <sub>pk</sub>  |
| Transmit Output Pulse Amplitude<br>(measured with TxLEV = 1) | 0.90 | 1.00 | 1.10 | V <sub>pk</sub>  |
| Transmit Output Pulse Width                                  | 8.6  | 9.65 | 10.6 | ns               |
| Transmit Output Pulse Amplitude Ratio                        | 0.90 | 1.00 | 1.10 |                  |
| <b>RECEIVER LINE SIDE INPUT CHARACTERISTICS</b>              |      |      |      |                  |
| Receiver Sensitivity (length of cable)                       | 900  | 1100 |      | feet             |
| Jitter Tolerance @ Jitter Frequency 400 KHz                  | 0.15 | 0.79 |      | UI <sub>pp</sub> |

**NOTE:** The above values are at

TA = 25°C and V<sub>DD</sub> = 3.3 V ± 5%.

**FIGURE 9. TRANSMIT OUPUT PULSE TEMPLATE FOR DS3 AS PER BELLCORE GR-499**

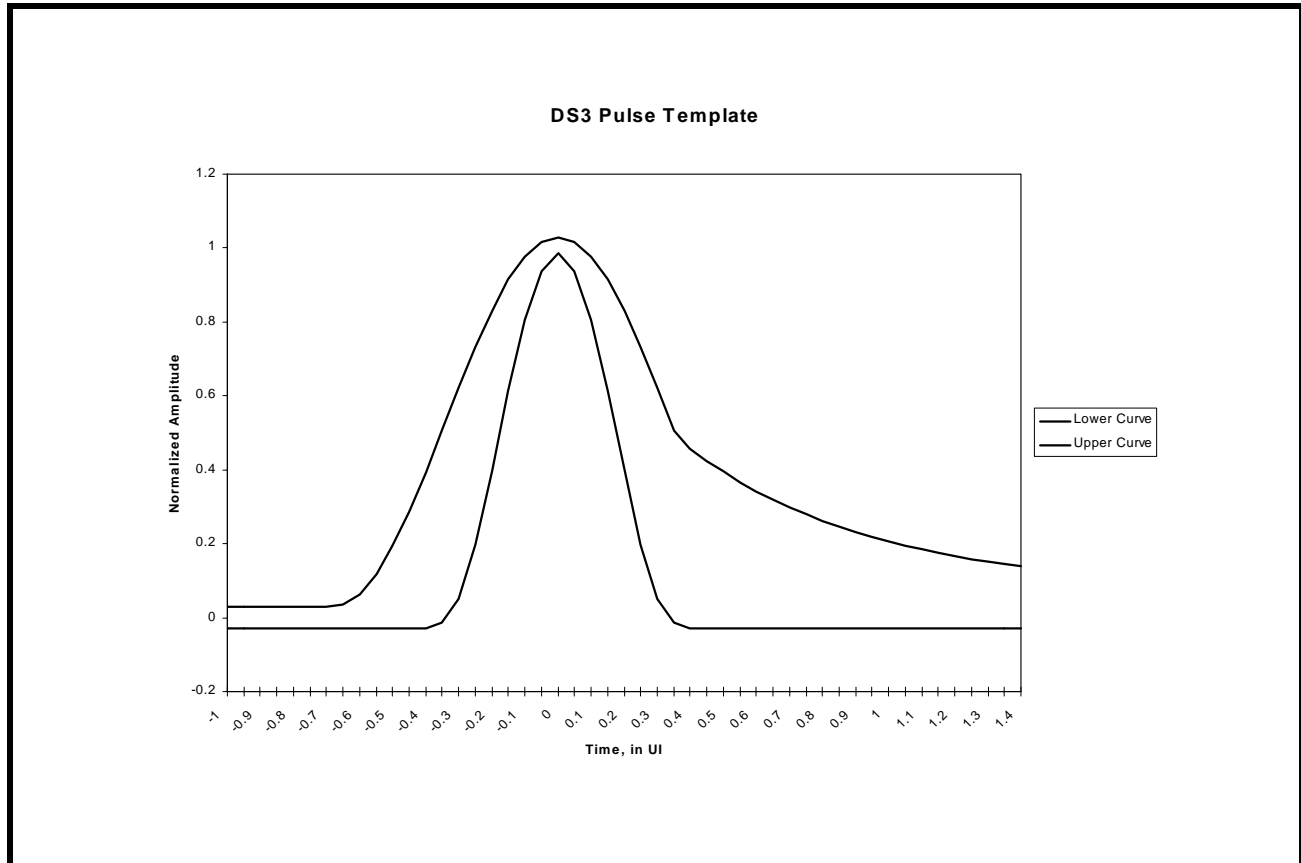


TABLE 6: DS3 PULSE MASK EQUATIONS

| TIME IN UNIT INTERVALS    | NORMALIZED AMPLITUDE   |
|---------------------------|--|
| <b>LOWER CURVE</b>        |  |
| $-0.85 \leq T \leq -0.36$ | - 0.03   |
| $-0.36 \leq T \leq 0.36$  | $0.5 \left[ 1 + \sin \frac{\pi}{2} \left( 1 + \frac{T}{0.18} \right) \right] - 0.03$ |
| $0.36 \leq T \leq 1.4$    | - 0.03   |
| <b>UPPER CURVE</b>        |  |
| $-0.85 \leq T \leq -0.68$ | 0.03   |
| $-0.68 \leq T \leq 0.36$  | $0.5 \left[ 1 + \sin \frac{\pi}{2} \left( 1 + \frac{T}{0.34} \right) \right] + 0.03$ |
| $0.36 \leq T \leq 1.4$    | $0.08 + 0.407 \times e^{-1.84[T-0.36]}$  |

TABLE 7: DS3 TRANSMITTER LINE SIDE OUTPUT AND RECEIVER LINE SIDE INPUT SPECIFICATIONS (GR-499)

| PARAMETER  | MIN   | TYP   | MAX   | UNITS            |
|--|-------|-------|-------|------------------|
| <b>TRANSMITTER LINE SIDE OUTPUT CHARACTERISTICS</b>          |       |       |       |                  |
| Transmit Output Pulse Amplitude<br>(measured with TxLEV = 0) | 0.65  | 0.75  | 0.85  | V <sub>pk</sub>  |
| Transmit Output Pulse Amplitude<br>(measured with TxLEV = 1) | 0.90  | 1.00  | 1.10  | V <sub>pk</sub>  |
| Transmit Output Pulse Width                                  | 10.10 | 11.18 | 12.28 | ns               |
| Transmit Output Pulse Amplitude Ratio                        | 0.90  | 1.00  | 1.10  |                  |
| <b>RECEIVER LINE SIDE INPUT CHARACTERISTICS</b>              |       |       |       |                  |
| Receiver Sensitivity (length of cable)                       | 900   | 1100  |       | feet             |
| Jitter Tolerance @ 400 KHz (Cat II)                          |       | 0.60  |       | U <sub>lpp</sub> |

**NOTE:** The above values are at

TA = 25<sup>0</sup>C and V<sub>DD</sub> = 3.3V ± 5%.

FIGURE 10. MICROPROCESSOR SERIAL INTERFACE STRUCTURE

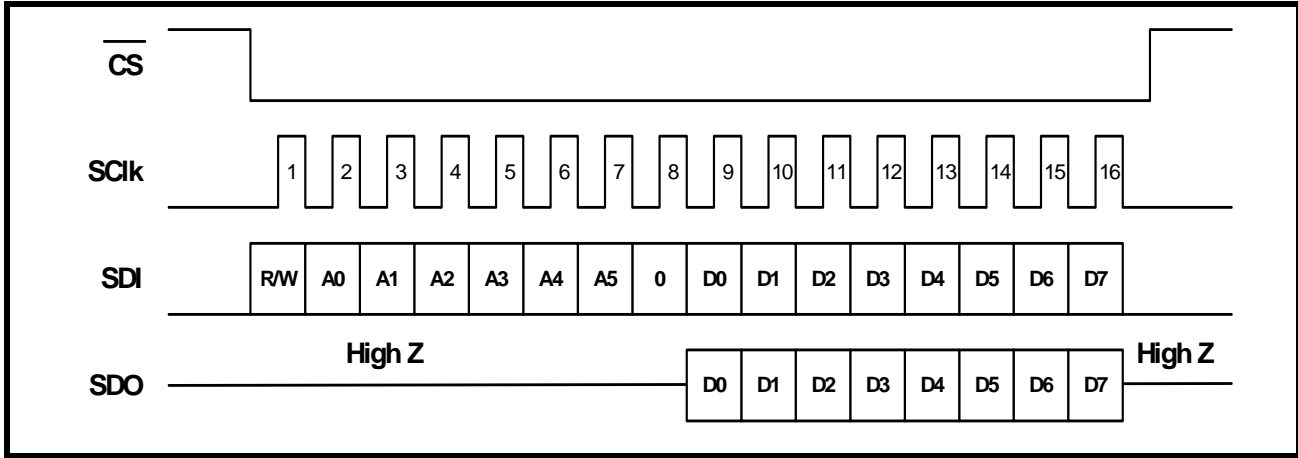
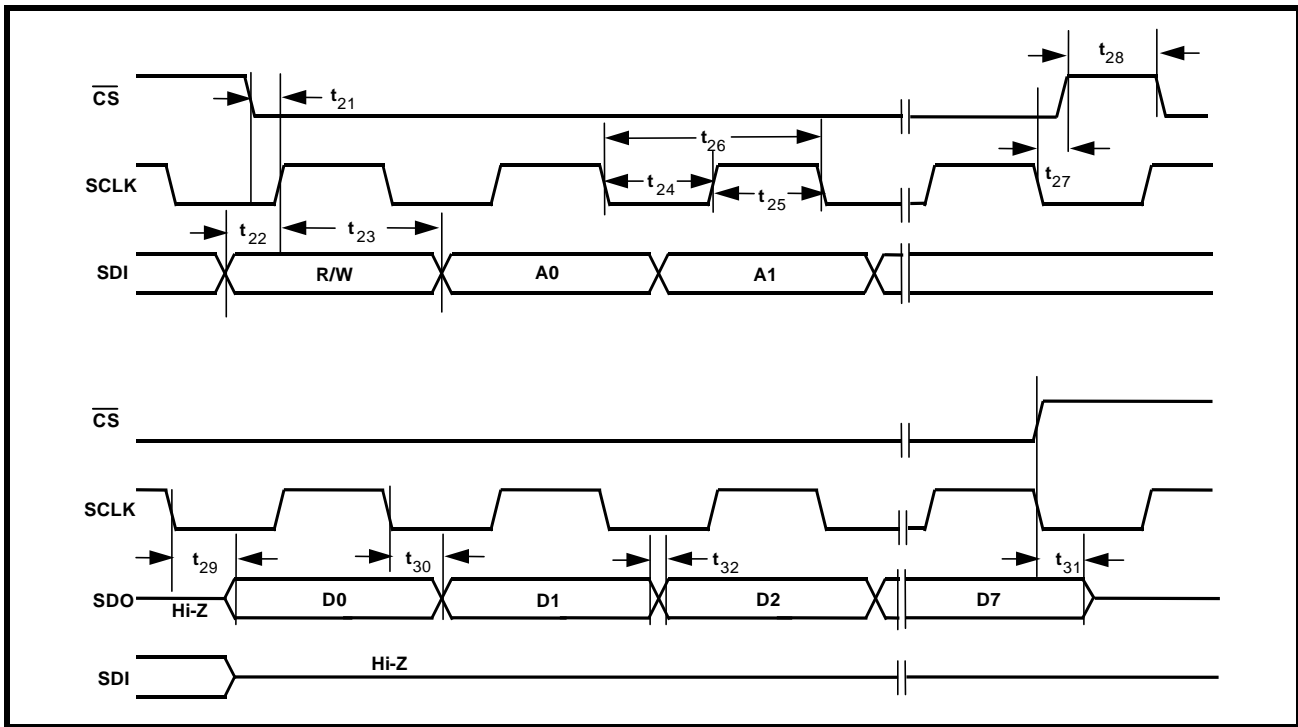


FIGURE 11. TIMING DIAGRAM FOR THE MICROPROCESSOR SERIAL INTERFACE



**TABLE 8: MICROPROCESSOR SERIAL INTERFACE TIMINGS (  $T_A = 25^{\circ}\text{C}$ ,  $V_{DD}=3.3\text{V}\pm 5\%$  AND LOAD = 10PF)**

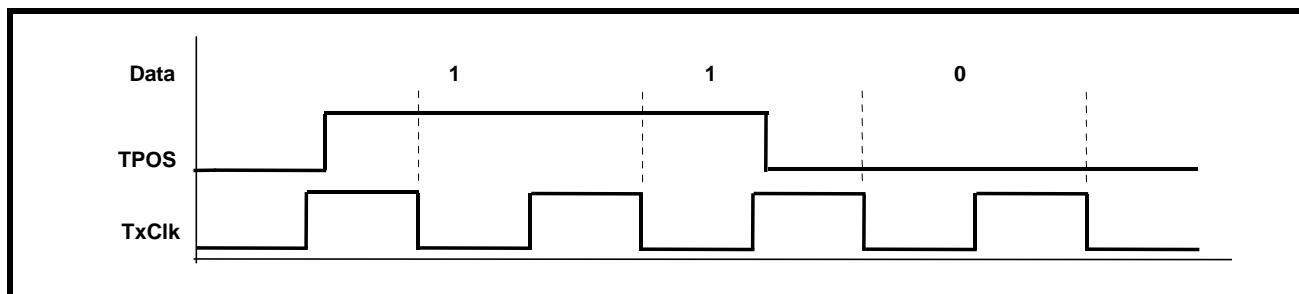
| SYMBOL          | PARAMETER   | MIN. | TYP. | MAX | UNITS |
|-----------------|---|------|------|-----|-------|
| t <sub>21</sub> | $\overline{\text{CS}}$ Low to Rising Edge of SClk             | 5    |      |     | ns    |
| t <sub>22</sub> | SDI to Rising Edge of SClk                                    | 5    |      |     | ns    |
| t <sub>23</sub> | SDI to Rising Edge of SClk Hold Time                          | 5    |      |     | ns    |
| t <sub>24</sub> | SClk "Low" Time   |      | 25   |     | ns    |
| t <sub>25</sub> | SClk "High" Time  |      | 25   |     | ns    |
| t <sub>26</sub> | SClk Period   |      | 50   |     | ns    |
| t <sub>27</sub> | Falling Edge of SClk to rising edge of $\overline{\text{CS}}$ | 0    |      |     | ns    |
| t <sub>28</sub> | $\overline{\text{CS}}$ "Inactive" Time                        | 50   |      |     | ns    |
| t <sub>29</sub> | Falling Edge of SClk to SDO Valid Time                        |      |      | 20  | ns    |
| t <sub>30</sub> | Falling Edge of SClk to SDO Invalid Time                      |      |      | 10  | ns    |
| t <sub>31</sub> | Rising edge of $\overline{\text{CS}}$ to High Z               |      | 10   |     | ns    |
| t <sub>32</sub> | Rise/Fall time of SDO Output                                  |      |      | 5   | ns    |

#### 4.0 THE TRANSMITTER SECTION:

The Transmitter Section, within each Channel, accepts TTL/CMOS level signals from the Terminal Equipment in selectable data formats.

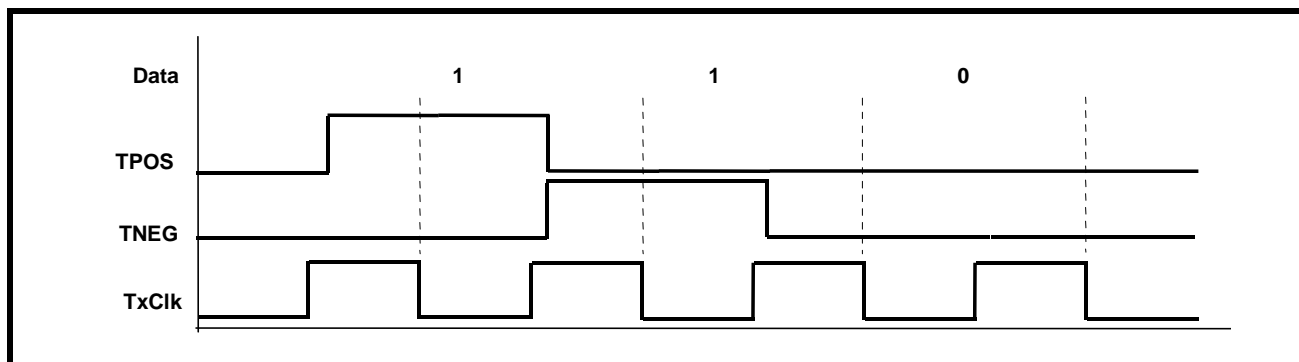
- Convert the CMOS level B3ZS or HDB3 encoded data into pulses with shapes that are compliant with the various industry standard pulse template requirements. Figures 7, 8 and 9 illustrate the pulse template requirements.
- Encode the un-encoded NRZ data into either B3ZS format (for DS3 or STS-1) or HDB3 format (for E3) and convert to pulses with shapes and width that are compliant with industry standard pulse template requirements. Figures 7, 8 and 9 illustrate the pulse template requirements.
- In Single-Rail or un-encoded Non-Return-to-Zero (NRZ) mode, data is input via TPOS\_n pins while TNEG\_n pins must be grounded. The NRZ or Single-Rail mode is selected when the SR/DR input pin is “High” (in Hardware Mode) or bit 0 of channel control register is “1” (in Host Mode). Figure 12 illustrates the Single-Rail or NRZ format.

FIGURE 12. SINGLE-RAIL OR NRZ DATA FORMAT (ENCODER AND DECODER ARE ENABLED)



- In Dual-Rail mode, data is input via TPOS\_n and TNEG\_n pins. TPOS\_n contains positive data and TNEG\_n contains negative data. The SR/DR input pin = “Low” (in Hardware Mode) or bit 0 of channel register = “0” (in Host Mode) enables the Dual-Rail mode. Figure 13 illustrates the Dual-Rail data format.

FIGURE 13. DUAL-RAIL DATA FORMAT (ENCODER AND DECODER ARE DISABLED)



##### 4.1 TRANSMIT CLOCK:

The Transmit Clock applied via TxClk\_n pins, for the selected data rate (for E3 = 34.368 MHz, DS3 = 44.736 MHz or STS-1 = 51.84 MHz), is duty cycle corrected by the internal PLL circuit to provide a 50% duty cycle clock to the pulse shaping circuit. This allows a 30% to 70% duty cycle Transmit Clock to be supplied.

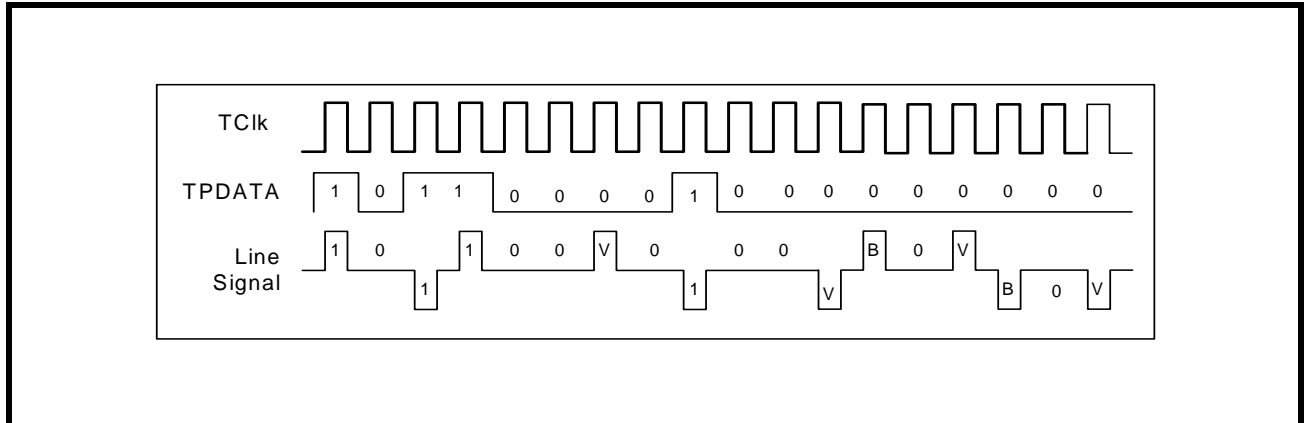
##### 4.2 B3ZS/HDB3 ENCODER:

When the Single-Rail (NRZ) data format is selected, the Encoder Block encodes the data into either B3ZS format (for either DS3 or STS-1) or HDB3 format (for E3).

##### 4.2.1 B3ZS Encoding:

An example of B3ZS encoding is shown in Figure 14. If the encoder detects an occurrence of three consecutive zeros in the data stream, it is replaced with either B0V or 00V, where 'B' refers to Bipolar pulse that is compliant with the Alternating polarity requirement of the AMI (Alternate Mark Inversion) line code and 'V' refers to a Bipolar Violation (e.g., a bipolar pulse that violates the AMI line code). The substitution of B0V or 00V is made so that an odd number of bipolar pulses exist between any two consecutive violation (V) pulses. This avoids the introduction of a DC component into the line signal.

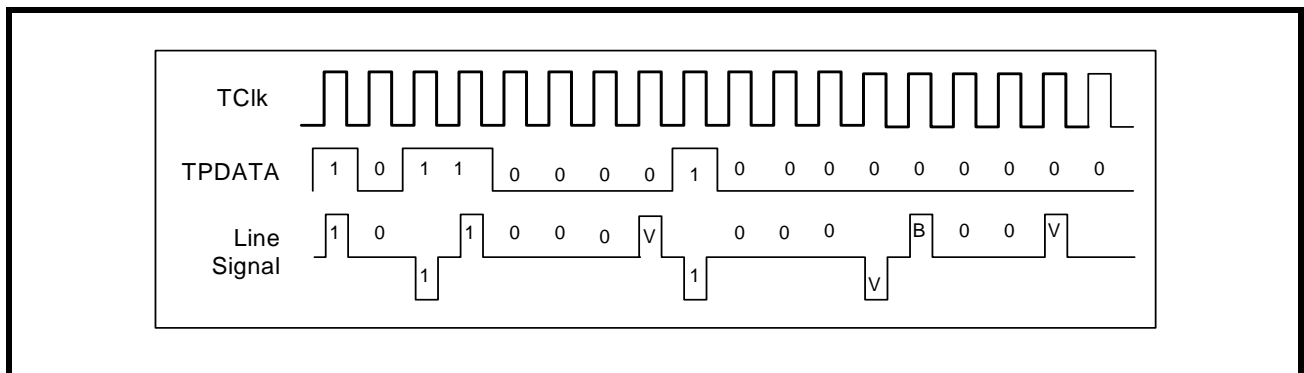
**FIGURE 14. B3ZS ENCODING FORMAT**



**4.2.2 HDB3 Encoding:**

An example of the HDB3 encoding is shown in Figure 15. If the HDB3 encoder detects an occurrence of four consecutive zeros in the data stream, then the four zeros are substituted with either 000V or B00V pattern. The substitution code is made in such a way that an odd number of bipolar (B) pulses exist between any consecutive V pulses. This avoids the introduction of DC component into the analog signal.

**FIGURE 15. HDB3 ENCODING FORMAT**



**NOTES:**

1. When Dual-Rail data format is selected, the B3ZS/HDB3 Encoder is automatically disabled.
2. In Dual-Rail format, the Bipolar Violations in the incoming data stream is converted to valid data pulses.
3. Encoder and Decoder is enabled only in Single-Rail mode.

**4.3 TRANSMIT PULSE SHAPER:**

The Transmit Pulse Shaper converts the B3ZS encoded digital pulses into a single analog Alternate Mark Inversion (AMI) pulse that meet the industry standard mask template requirements for STS-1 and DS3. See Figures 8 and 9.

For E3 mode, the pulse shaper converts the HDB3 encoded pulses into a single full amplitude square shaped pulse with very little slope. This is illustrated in Figure 7.

**FOUR CHANNEL E3/DS3/STS-1 LINE INTERFACE UNIT WITH JITTER ATTENUATOR**

The Pulse Shaper Block also includes a Transmit Build Out Circuit, which can either be disabled or enabled by setting the TxLEV\_n input pin “High” or “Low” (in Hardware Mode) or setting the TxLEV\_n bit to “1” or “0” in the control register (in Host Mode).

For DS3/STS-1 rates, the Transmit Build Out Circuit is used to shape the transmit waveform that ensures that transmit pulse template requirements are met at the Cross-Connect system. The distance between the transmitter output and the Cross-Connect system can be between 0 to 450 feet.

For E3 rate, since the output pulse template is measured at the secondary of the transformer and since there is no Cross-Connect system pulse template requirements, the Transmit Build Out Circuit is always disabled.

**4.3.1 Guidelines for using Transmit Build Out Circuit:**

If the distance between the transmitter and the DSX3 or STSX-1, Cross-Connect system, is less than 225 feet, enable the Transmit Build Out Circuit by setting the TxLEV\_n input pin “Low” (in Hardware Mode) or setting the TxLEV\_n control bit to “0” (in Host Mode).

If the distance between the transmitter and the DSX3 or STSX-1 is greater than 225 feet, disable the Transmit Build Out Circuit.

**4.3.2 Interfacing to the line:**

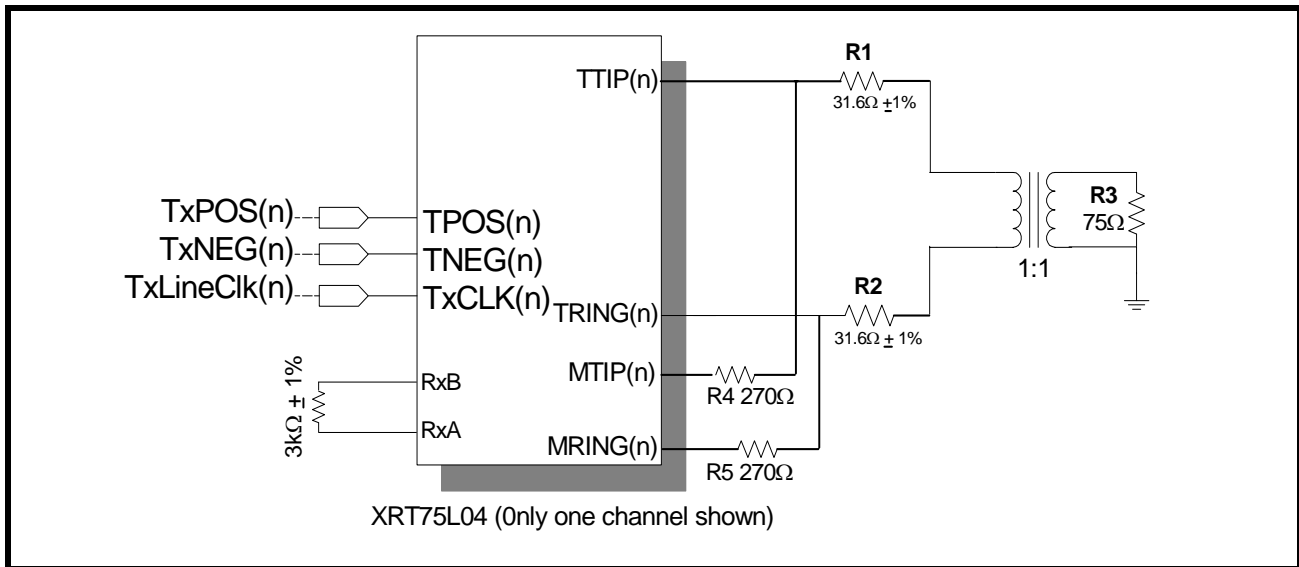
The differential line driver increases the transmit waveform to appropriate level and drives into the 75Ω load as shown in Figure 6.

**4.4 Transmit Drive Monitor:**

This feature is used for monitoring the transmit line for occurrence of fault conditions such as a short circuit on the line or a defective line driver.

To activate this function, connect MTIP\_n pins to the TTIP\_n lines via a 270 Ω resistor and MRING\_n pins to TRING\_n lines via 270 Ω resistor as shown in Figure 16.

**FIGURE 16. TRANSMIT DRIVER MONITOR SET-UP.**



**Case 1:**

**MTIP\_1 connected to TTIP\_1**

**MRING\_1 connected to TRING\_1**

**TxMON\_1 (bit) = 0**

As shown in the figure 18, connect MTIP\_1 to TTIP\_1 and MRING\_1 to TRING\_1 via the 270 Ω resistors. When no transitions on the line are detected for 128 ± 32 TxClk\_1 periods, the DMO\_1 pin will toggle “High”.

The DMO\_1 and the DMOIS\_1 bits also will be set in the control register. When the transitions are detected, the DMO\_1 pin will toggle back to normal state. The DMO\_1 bit also will be cleared. However, the DMOIS\_1 bit will remain set until read. If the DMOIE\_1 bit has been set, an interrupt will be generated.

## XRT75L04

### FOUR CHANNEL E3/DS3/STS-1 LINE INTERFACE UNIT WITH JITTER ATTENUATOR

#### Case 2:

**MTIP\_1 connected to TTIP\_1**

**MRING\_1 connected to TRING\_1**

**TxMON\_1 (bit) = 1**

This has the same effect as in Case 1. It is redundant to use the MTIP\_1/MRING\_1 pins in this case.

#### Case 3:

**MTIP\_1 not connected to TTIP\_1**

**MRING\_1 not connected to TRING\_1**

**TxMON\_1 (bit) = 1**

When no transitions on the TTIP\_1/TRING\_1 are detected for  $128 \pm 32$  TxClk\_1 periods, the DMO\_1 pin will toggle "High". The DMO\_1 and the DMOIS\_1 bits also will be set in the control register. When the transitions are detected, the DMO\_1 pin will toggle back to normal state. The DMO\_1 bit also will be cleared. However, the DMOIS\_1 bit will remain set until read. If the DMOIE\_1 bit has been set, an interrupt will be generated. Please note that the MTIP\_1/MRING\_1 pins cannot be used to monitor any other adjacent channels.

#### Case 4:

**MTIP\_m not connected to TTIP\_m +n where m = 0,1...3 and n = 0,1...3**

**MRING\_m not connected to TRING\_m +n where m = 0,1...3 and n = 0,1...3**

**TxMON\_n (bit) = 0**

In this case, with external connection, any of the MTIP/MRING can be connected to any of the adjacent channel to be monitored.

Please note that if TxMON\_n bit is set, then monitoring will be done for that channel n. By toggling the TxMON\_n bit from 0 to 1, the monitoring can be switched between self-monitoring to monitoring any adjacent channels.

**NOTE:** The Drive Monitor Circuit is only for diagnostic purpose and does not have to be used to operate the transmitter.

#### 4.5 Transmitter Section On/Off:

The transmitter section of each channel can either be turned on or off. To turn on the transmitter, set the input pin TxON\_n to "High" (in Hardware Mode) or write a "1" to the TxON\_n control bits (in Host Mode) with TxON\_n pins tied "High".

When the transmitter is turned off, TTIP\_n and TRing\_n are tri-stated.

#### NOTES:

1. This feature provides support for Redundancy.
2. If the XRT75L04 is configured in Host mode, to permit a system designed for redundancy to quickly shut-off the defective line card and turn on the back-up line card, writing a "1" to the TxON\_n control bits transfers the control to TxON\_n pins.

## 5.0 THE RECEIVER SECTION:

This section describes the detailed operation of the various blocks in the receiver. The receiver recovers the TTL/CMOS level data from the incoming bipolar B3ZS or HDB3 encoded input pulses.

### 5.1 AGC/Equalizer:

The Adaptive Gain Control circuit amplifies the incoming analog signal and compensates for the various flat losses and also for the loss at one-half symbol rate. The AGC has a dynamic range of 30 dB.

The Equalizer restores the integrity of the signal and compensates for the frequency dependent attenuation of up to 900 feet of coaxial cable (1300 feet for E3). The Equalizer also boosts the high frequency content of the

signal to reduce Inter-Symbol Interference (ISI) so that the slicer slices the signal at 50% of peak voltage to generate Positive and Negative data.

The Equalizer can either be “IN” or “OUT” by setting the REQEN\_n pin “High” or “Low” (in Hardware Mode) or setting the REQEN\_n control bit to “1” or “0” (in Host Mode).

**RECOMMENDATIONS FOR EQUALIZER SETTINGS:**

The Equalizer has two gain settings to provide optimum equalization. In the case of normally shaped DS3/STS-1 pulses (pulses that meet the template requirements) that has been driven through 0 to 900 feet of cable, the Equalizer can be left “IN” by setting the REQEN\_n pin to “High” (in Hardware Mode) or setting the REQEN\_n control bit to “1” (in Host Mode).

However, for square-shaped pulses such as E3 or for DS3/STS-1 high pulses (that does not meet the pulse template requirements), it is recommended that the Equalizer be left “OUT” for cable length less than 300 feet by setting the REQEN\_n pin “Low” (in Hardware Mode) or by setting the REQEN\_n control bit to “0” (in Host Mode). This would help to prevent over-equalization of the signal and thus optimize the performance in terms of better jitter transfer characteristics.

**NOTE:** *The results of extensive testing indicates that even when the Equalizer was left “IN” (REQEN\_n = “HIGH”), regardless of the cable length, the integrity of the E3 signal was restored properly over 0 to 12 dB cable loss at Industrial Temperature.*

The Equalizer also contain an additional 20 dB gain stage to provide the line monitoring capability of the resistively attenuated signals which may have 20dB flat loss. This capability can be turned on by writing a “1” to the RxMON\_n bits in the control register or by setting the RxMON pin (pin 69) “High”.

**5.1.1 Interference Tolerance:**

For E3 mode, ITU-T G.703 Recommendation specifies that the receiver be able to recover error-free clock and data in the presence of a sinusoidal interfering tone signal. For DS3 and STS-1 modes, the same recommendation is being used. Figure 17 shows the configuration to test the interference margin for DS3/STS1. Figure 18 shows the set up for E3.

**FIGURE 17. INTERFERENCE MARGIN TEST SET UP FOR DS3/STS-1**

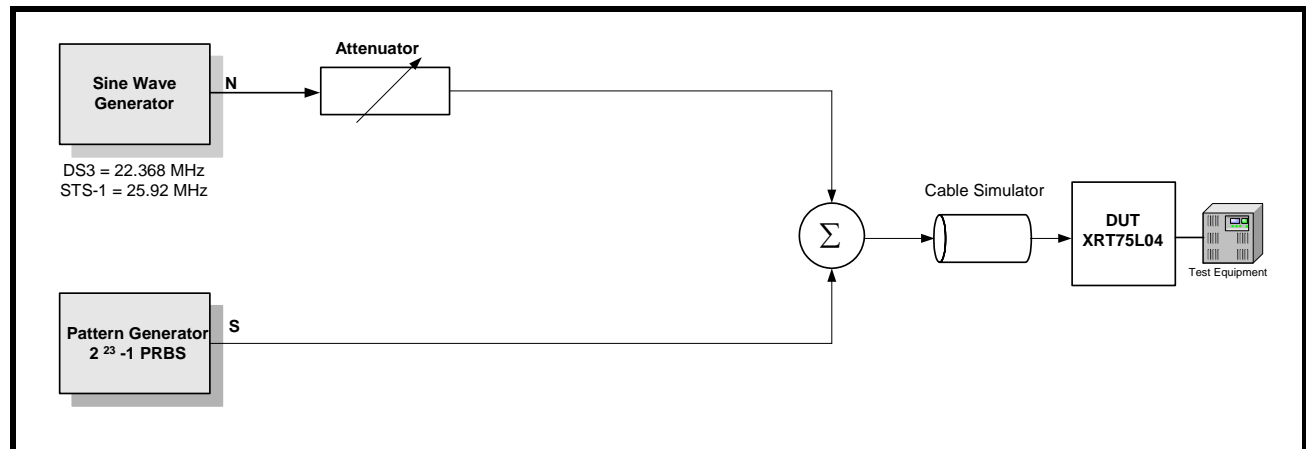


FIGURE 18. INTERFERENCE MARGIN TEST SET UP FOR E3.

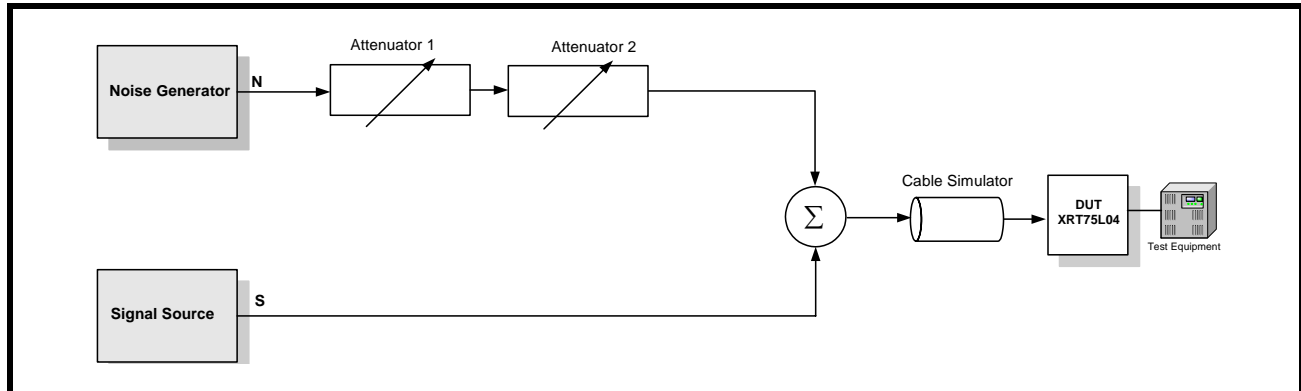


TABLE 9: INTERFERENCE MARGIN TEST RESULTS

| MODE  | CABLE LENGTH (ATTENUATION) | INTERFERENCE TOLERANCE |
|-------|----------------------------|------------------------|
| E3    | 0 dB                       | -14 dB                 |
|       | 12 dB                      | -18 dB                 |
| DS3   | 0 feet                     | -17 dB                 |
|       | 225 feet                   | -16 dB                 |
|       | 450 feet                   | -16dB                  |
| STS-1 | 0 feet                     | -16 dB                 |
|       | 225 feet                   | -15 dB                 |
|       | 450 feet                   | -15 dB                 |

**5.2 Clock and Data Recovery:**

The Clock and Data Recovery Circuit extracts the embedded clock, RxClk\_n from the sliced digital data stream and provides the retimed data to the B3ZS (HDB3) decoder.

The Clock Recovery PLL can be in one of the following two modes:

**TRAINING MODE:**

In the absence of input signals at RTIP\_n and RRing\_n pins, or when the frequency difference between the recovered line clock signal and the reference clock applied on the ExClk\_n input pins exceed 0.5%, a Loss of Lock condition is declared by toggling RLOL\_n output pin “High” (in Hardware Mode) or setting the RLOL\_n bit to “1” in the control registers (in Host Mode). Also, the clock output on the RxClk\_n pins are the same as the reference clock applied on ExClk\_n pins.

**DATA/CLOCK RECOVERY MODE:**

In the presence of input line signals on the RTIP\_n and RRing\_n input pins and when the frequency difference between the recovered clock signal and the reference clock signal is less than 0.5%, the clock that is output on the RxClk\_n out pins is the Recovered Clock signal.

**5.3 B3ZS/HDB3 Decoder:**

The decoder block takes the output from clock and data recovery block and decodes the B3ZS (for DS3 or STS-1) or HDB3 (for E3) encoded line signal and detects any coding errors or excessive zeros in the data stream.

Whenever the input signal violates the B3ZS or HDB3 coding sequence for bipolar violation or contains three (for B3ZS) or four (for HDB3) or more consecutive zeros, an active “High” pulse is generated on the RLCV\_n output pins to indicate line code violation.

**NOTE:** *In Single- Rail (NRZ) mode, the decoder is bypassed.*

**5.4 LOS (Loss of Signal) Detector:**

**5.4.1 DS3/STS-1 LOS Condition:**

A Digital Loss of Signal (DLOS) condition occurs when a string of  $175 \pm 75$  consecutive zeros occur on the line. When the DLOS condition occurs, the DLOS\_n bit is set to “1” in the status control register. DLOS condition is cleared when the detected average pulse density is greater than 33% for  $175 \pm 75$  pulses.

Analog Loss of Signal (ALOS) condition occurs when the amplitude of the incoming line signal is below the threshold as shown in the Table 10. The status of the ALOS condition is reflected in the ALOS\_n status control register.

RLOS is the logical OR of the DLOS and ALOS states. When the RLOS condition occurs the RLOS\_n output pin is toggled “High” and the RLOS\_n bit is set to “1” in the status control register.

**TABLE 10: THE ALOS (ANALOG LOS) DECLARATION AND CLEARANCE THRESHOLDS FOR A GIVEN SETTING OF REQEN (DS3 AND STS-1 APPLICATIONS)**

| APPLICATION | REQEN SETTING | SIGNAL LEVEL TO DECLARE ALOS | SIGNAL LEVEL TO CLEAR ALOS |
|-------------|---------------|------------------------------|----------------------------|
| DS3         | 0             | $\leq 17$ mV                 | $\geq 70$ mV               |
|             | 1             | $\leq 20$ mV                 | $\geq 90$ mV               |
| STS-1       | 0             | $\leq 20$ mV                 | $\geq 90$ mV               |
|             | 1             | $\leq 25$ mV                 | $\geq 115$ mV              |

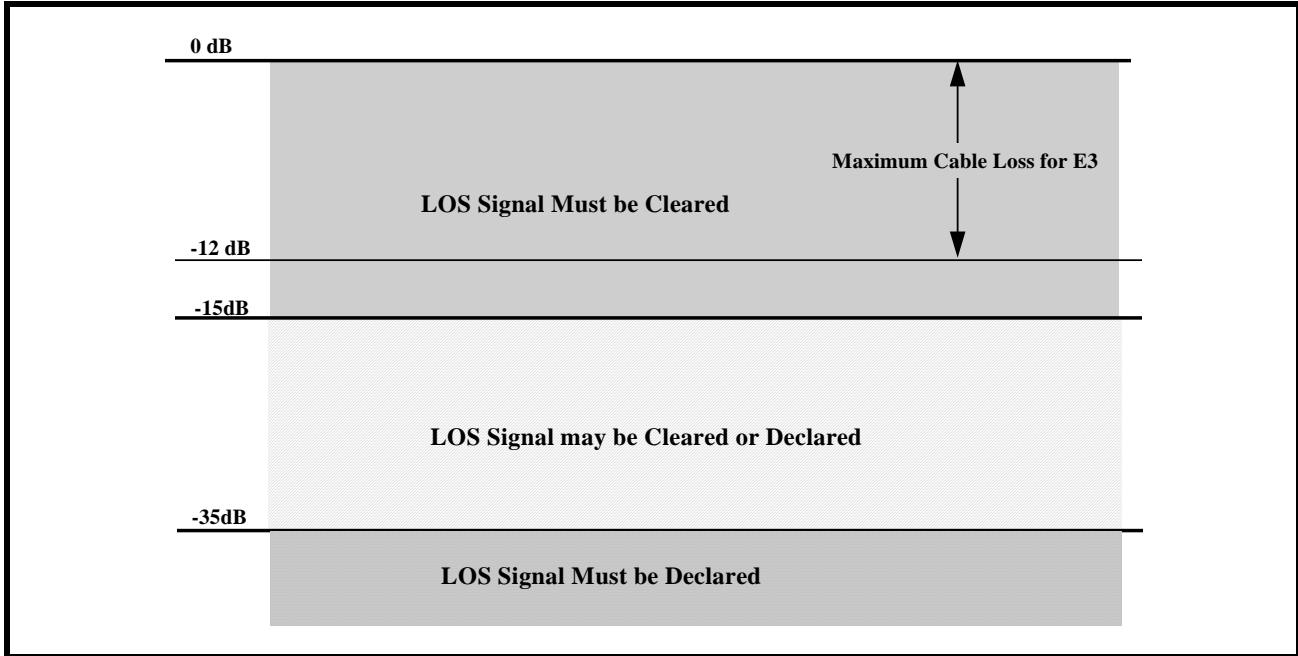
**DISABLING ALOS/DLOS DETECTION:**

For debugging purposes it is useful to disable the ALOS and/or DLOS detection. Writing a “1” to both ALOSDIS\_n and DLOSDIS\_n bits disables the LOS detection on a per channel basis.

**5.4.2 E3 LOS Condition:**

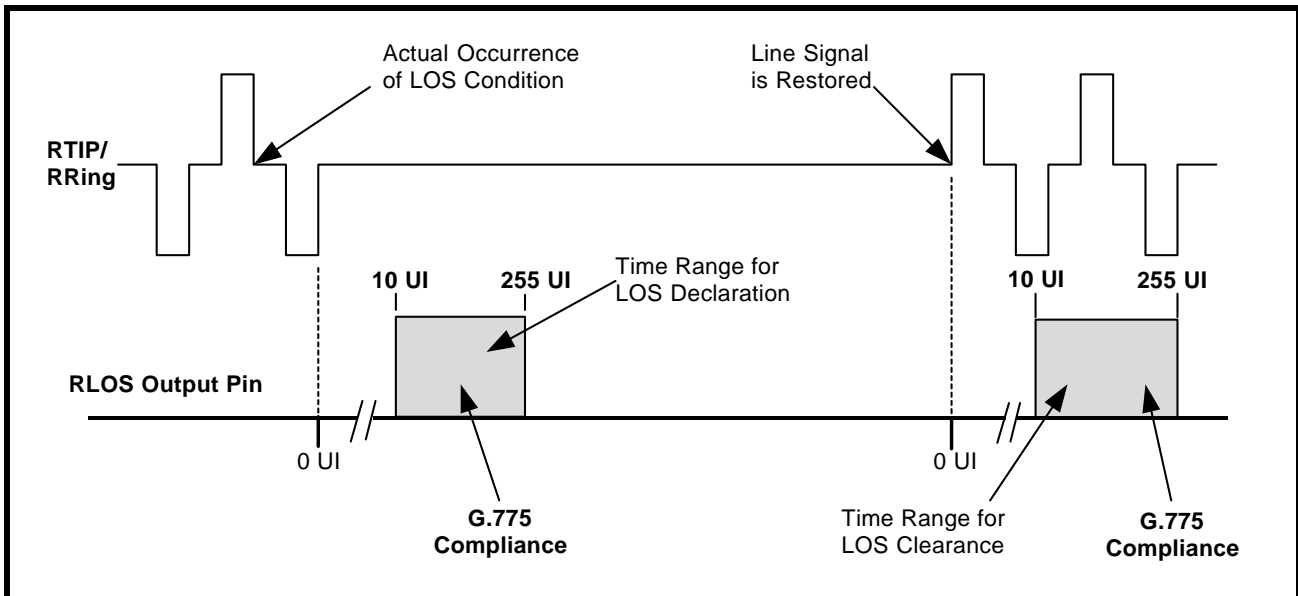
If the level of incoming line signal drops below the threshold as described in the ITU-T G.775 standard, the LOS condition is detected. Loss of signal level is defined to be between 15 and 35 dB below the normal level. If the signal drops below 35 dB for  $175 \pm 75$  consecutive pulse periods, LOS condition is declared. This is illustrated in Figure 19.

FIGURE 19. LOSS OF SIGNAL DEFINITION FOR E3 AS PER ITU-T G.775



As defined in ITU-T G.775, an LOS condition is also declared between 10 and 255 UI (or E3 bit periods) after the actual time the LOS condition has occurred. The LOS condition is cleared within 10 to 255 UI after restoration of the incoming line signal. Figure 20 shows the LOS declaration and clearance conditions.

FIGURE 20. LOSS OF SIGNAL DEFINITION FOR E3 AS PER ITU-T G.775.



**5.4.3 Muting the Recovered Data with LOS condition:**

When the LOS condition is declared, the clock recovery circuit locks into the reference clock applied to the ExClk\_n pin and output this clock on the RxClk\_n output. In Single Frequency Mode (SFM), the clock recovery locks into the rate clock generated and output this clock on the RxClk\_n pins. The data on the RPOS\_n and RNEG\_n pins can be forced to zero by pulling the LOSMUT pin “High” (in Hardware Mode) or by setting the LOSMUT\_n bits in the individual channel control register to “1” (in Host Mode).

**NOTE:** *When the LOS condition is cleared, the recovered data is output on RPOS\_n and RNEG\_n pins.*

## 6.0 JITTER:

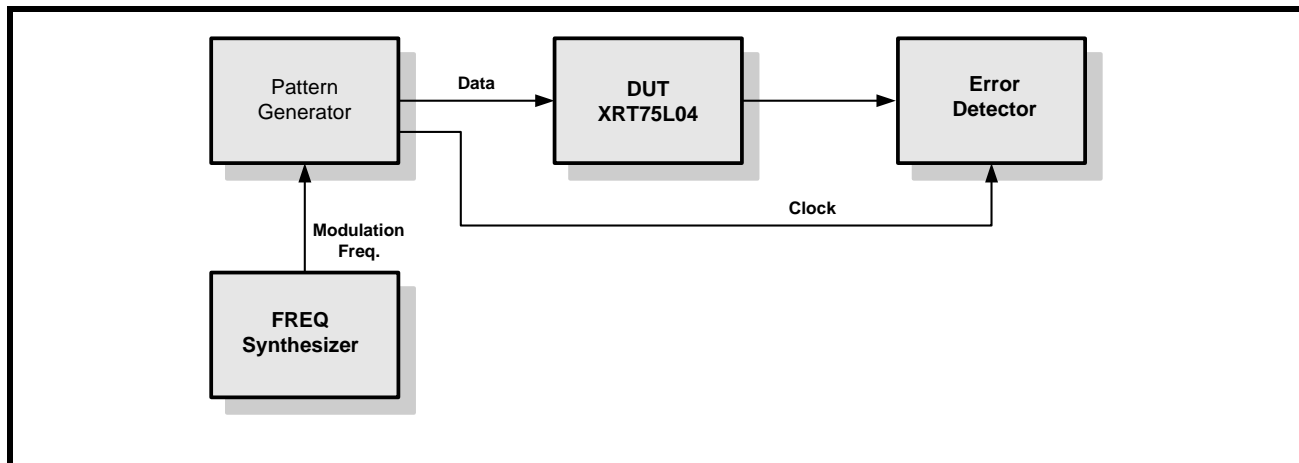
There are three fundamental parameters that describe circuit performance relative to jitter:

- **Jitter Tolerance (Receiver)**
- **Jitter Transfer (Receiver/Transmitter)**
- **Jitter Generation**

### 6.1 JITTER TOLERANCE - RECEIVER:

Jitter tolerance is a measure of how well a Clock and Data Recovery unit can successfully recover data in the presence of various forms of jitter. It is characterized by the amount of jitter required to produce a specified bit error rate. The tolerance depends on the frequency content of the jitter. Jitter Tolerance is measured as the jitter amplitude over a jitter spectrum for which the clock and data recovery unit achieves a specified bit error rate (BER). To measure the jitter tolerance as shown in Figure 21, jitter is introduced by the sinusoidal modulation of the serial data bit sequence.

**FIGURE 21. JITTER TOLERANCE MEASUREMENTS**

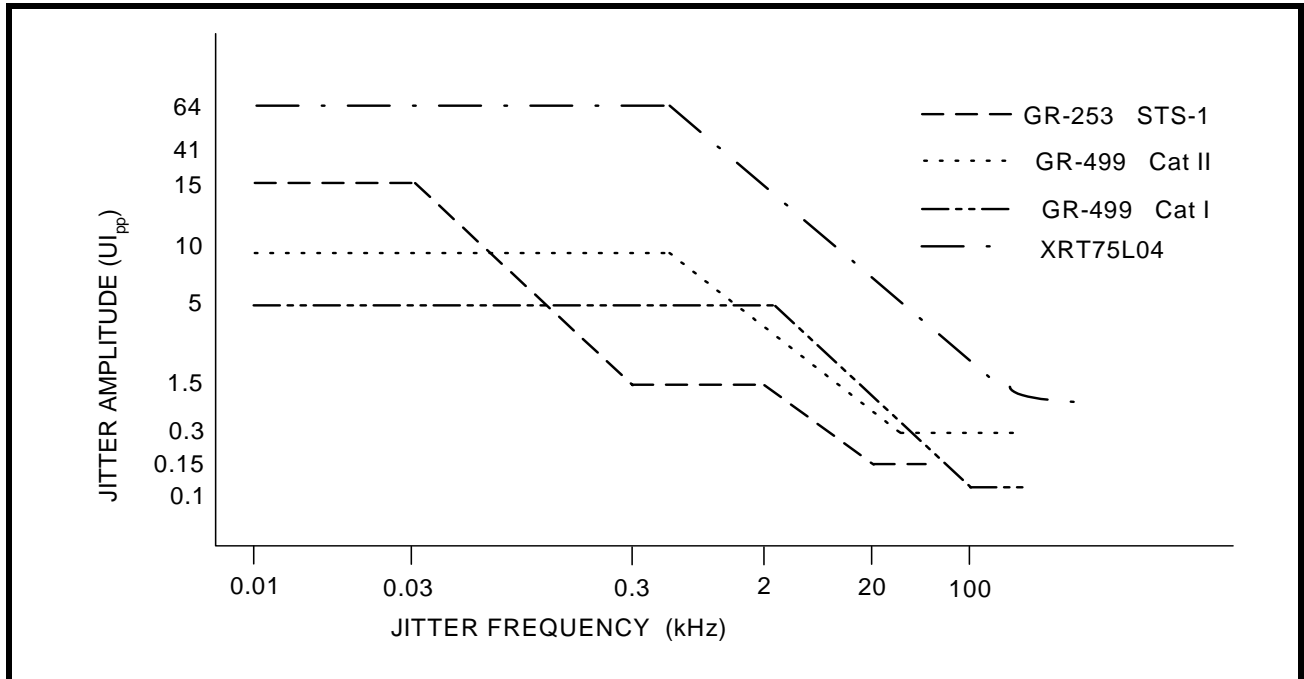


Input jitter tolerance requirements are specified in terms of compliance with jitter mask which is represented as a combination of points. Each point corresponds to a minimum amplitude of sinusoidal jitter at a given jitter frequency.

#### 6.1.1 DS3/STS-1 Jitter Tolerance Requirements:

Bellcore GR-499 CORE, Issue 1, December 1995 specifies the minimum requirement of jitter tolerance for Category I and Category II. The jitter tolerance requirement for Category II is the most stringent. Figure 22 shows the jitter tolerance curve as per GR-499 specification.

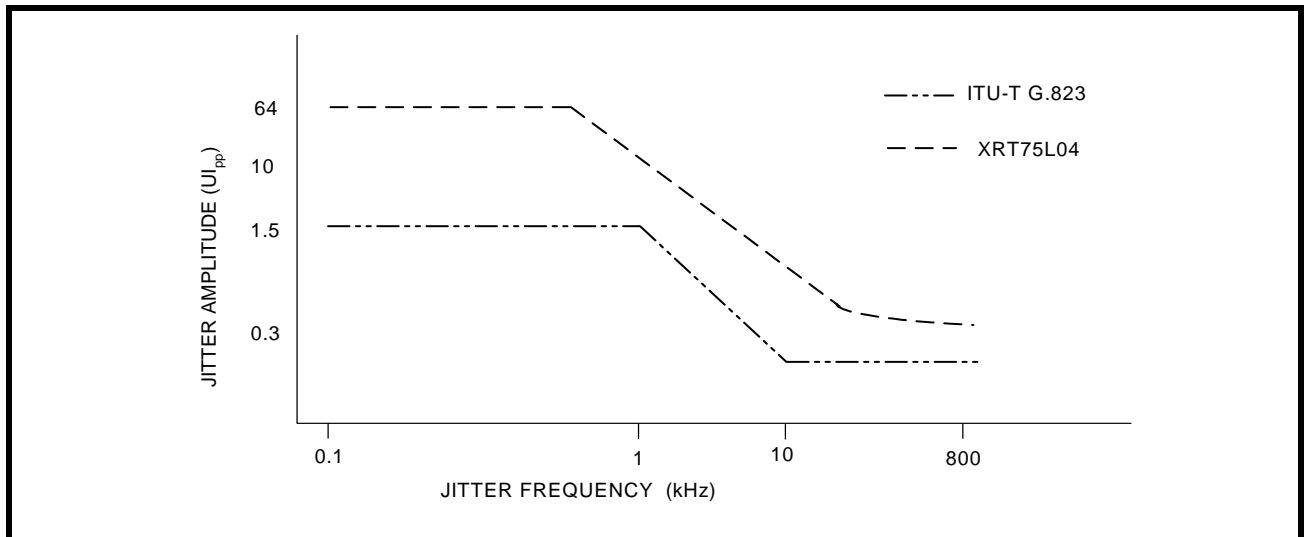
**FIGURE 22. INPUT JITTER TOLERANCE FOR DS3/STS-1**



**6.1.2 E3 Jitter Tolerance Requirements:**

ITU-T G.823 standard specifies that the clock and data recovery unit must be able to accommodate and tolerate jitter up to certain specified limits. Figure 23 shows the tolerance curve.

**FIGURE 23. INPUT JITTER TOLERANCE FOR E3**



As shown in the Figures 22 and 23 above, in the jitter tolerance measurement, the dark line indicates the minimum level of jitter that the E3/DS3/STS-1 compliant component must tolerate.

The Table 11 below shows the jitter amplitude versus the modulation frequency for various standards.

TABLE 11: JITTER AMPLITUDE VERSUS MODULATION FREQUENCY (JITTER TOLERANCE)

| BIT RATE<br>(KB/S) | STANDARD              | INPUT JITTER AMPLITUDE (UI <sub>p-p</sub> ) |      |      | MODULATION FREQUENCY |        |         |         |         |
|--------------------|-----------------------|---|------|------|----------------------|--------|---------|---------|---------|
|                    |                       | A1  | A2   | A3   | F1(Hz)               | F2(Hz) | F3(KHz) | F4(KHz) | F5(KHz) |
| 34368              | ITU-T G.823           | 1.5   | 0.15 | -    | 100                  | 1000   | 10      | 800     | -       |
| 44736              | GR-499<br>CORE Cat I  | 5   | 0.1  | -    | 10                   | 2.3k   | 60      | 300     | -       |
| 44736              | GR-499<br>CORE Cat II | 10  | 0.3  | -    | 10                   | 669    | 22.3    | 300     | -       |
| 51840              | GR-253<br>CORE Cat II | 15  | 1.5  | 0.15 | 10                   | 30     | 300     | 2       | 20      |

### 6.2 JITTER TRANSFER - RECEIVER/TRANSMITTER:

Jitter Transfer function is defined as the ratio of jitter on the output relative to the jitter applied on the input versus frequency.

There are two distinct characteristics in jitter transfer: jitter gain (jitter peaking) defined as the highest ratio above 0dB; and jitter transfer bandwidth. The overall jitter transfer bandwidth is controlled by a low bandwidth loop, typically using a voltage-controller crystal oscillator (VCXO).

The jitter transfer function is a ratio between the jitter output and jitter input for a component, or system often expressed in dB. A negative dB jitter transfer indicates the element removed jitter. A positive dB jitter transfer indicates the element added jitter. A zero dB jitter transfer indicates the element had no effect on jitter.

Table 12 shows the jitter transfer characteristics and/or jitter attenuation specifications for various data rates:

TABLE 12: JITTER TRANSFER SPECIFICATION/REFERENCES

| E3          | DS3   | STS-1                       |
|-------------|---|-----------------------------|
| ETSI TBR-24 | GR-499 CORE section 7.3.2<br>Category I and Category II | GR-253 CORE section 5.6.2.1 |

The above specifications can be met only with a jitter attenuator that supports E3/DS3/STS-1 rates.

### 6.3 JITTER GENERATION:

Jitter Generation is defined as the process whereby jitter appears at the output port of the digital equipment in the absence of applied input jitter. Jitter Generation is measured by sending jitter free data to the clock and data recovery circuit and measuring the amount of jitter on the output clock or the re-timed data. Since this is essentially a noise measurement, it requires a definition of bandwidth to be meaningful. The bandwidth is set according to the data rate. In general, the jitter is measured over a band of frequencies.

### 6.4 Jitter Attenuator:

An advanced crystal-less jitter attenuator per channel is included in the XRT75L04. The jitter attenuator requires no external crystal nor high-frequency reference clock.

In Host mode, by clearing or setting the JATx/Rx<sub>n</sub> bits in the channel control registers selects the jitter attenuator either in the Receive or Transmit path on per channel basis. In Hardware mode, JATx/Rx pin selects globally all three channels either in Receive or Transmit path.

The FIFO size can be either 16-bit or 32-bit. In HOST mode, the bits JA0<sub>n</sub> and JA1<sub>n</sub> can be set to appropriate combination to select the different FIFO sizes or to disable the Jitter Attenuator on a per channel basis. In Hardware mode, appropriate setting of the pins JA0 and JA1 selects the different FIFO sizes or disables the Jitter Attenuator for all three channels. Data is clocked into the FIFO with the associated clock

signal (TxClk or RxClk) and clocked out of the FIFO with the dejittered clock. When the FIFO is within two bits of overflowing or underflowing, the FIFO limit status bit, FL\_n is set to “1” in the Alarm status register. Reading this bit clears the FIFO and resets the bit into default state.

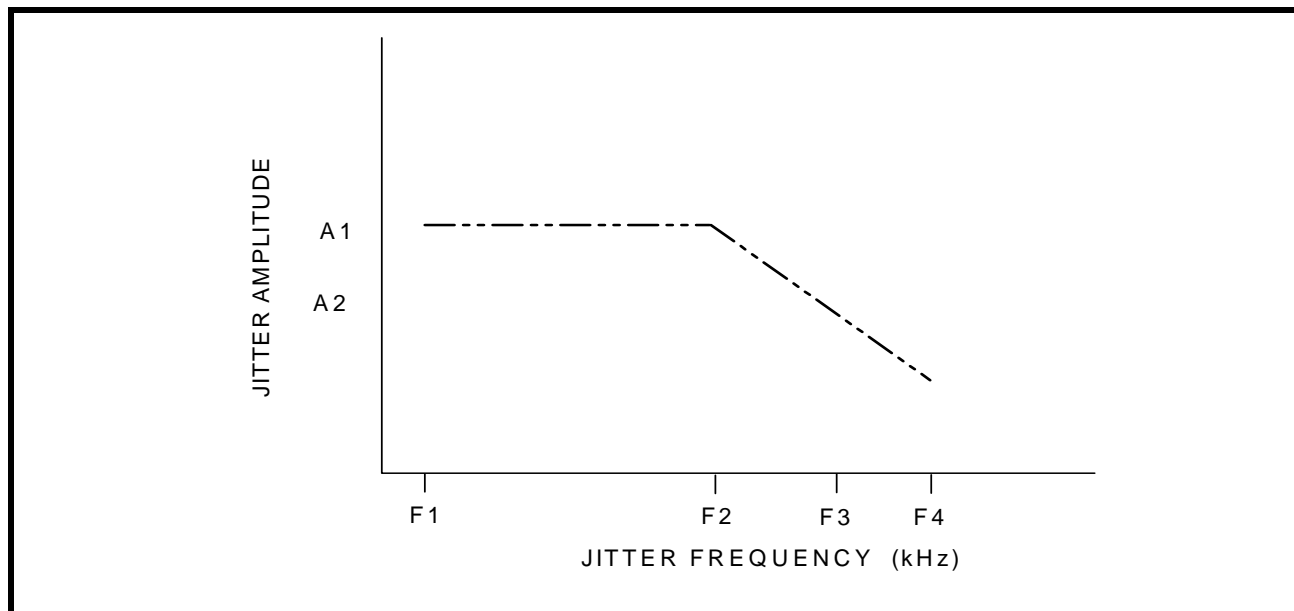
**NOTE:** It is recommended to select the 16-bit FIFO for delay-sensitive applications as well as for removing smaller amounts of jitter. Table 13 specifies the jitter transfer mask requirements for various data rates:

**TABLE 13: JITTER TRANSFER PASS MASKS**

| RATE (KBITS) | MASK                 | F1 (Hz) | F2 (Hz) | F3 (Hz) | F4 (kHz) | A1(dB) | A2(dB) |
|--------------|----------------------|---------|---------|---------|----------|--------|--------|
| 34368        | G.823<br>ETSI-TBR-24 | 100     | 300     | 3k      | 800k     | 0.5    | -19.5  |
| 44736        | GR-499, Cat I        | 10      | 10k     | -       | 15k      | 0.1    | -      |
|              | GR-499, Cat II       | 10      | 56.6k   | -       | 300k     | 0.1    | -      |
|              | GR-253 CORE          | 10      | 40      | -       | 15k      | 0.1    | -      |
| 51840        | GR-253 CORE          | 10      | 40k     | -       | 400k     | 0.1    | -      |

The jitter attenuator in the XRT75L04 meets the latest jitter attenuation specifications and/or jitter transfer characteristics as shown in the Figure 24.

**FIGURE 24. JITTER TRANSFER REQUIREMENTS AND JITTER ATTENUATOR PERFORMANCE**



**7.0 SERIAL HOST INTERFACE:**

A serial microprocessor interface is included in the XRT75L04. The interface is generic and is designed to support the common microprocessors/microcontrollers. The XRT75L04 operates in Host mode when the HOST/HW pin is tied “High”. The serial interface includes a serial clock (SClk), serial data input (SDI), serial data output (SDO), chip select (CS) and interrupt output (INT). The serial interface timing is shown in Figure 11.

The active low interrupt output signal ( $\overline{\text{INT}}$  pin) indicates alarm conditions like LOS, DMO and FL to the processor.

When the XRT75L04 is configured in Host mode, the following input pins, TxLEV\_n, TAOS\_n, RLB\_n, LLB\_n, E3\_n, STS-1/DS3\_n, REQEN\_n, JATx/Rx, JA0 and JA1 are disabled and must be connected to ground.

The Table 14 below illustrates the functions of the shared pins in either Host mode or in Hardware mode.

**TABLE 14: FUNCTIONS OF SHARED PINS**

| PIN NUMBER | IN HOST MODE            | IN HARDWARE MODE |
|------------|-------------------------|------------------|
| 86         | $\overline{\text{CS}}$  | RxCIkINV         |
| 88         | SCIk                    | TxCIkINV         |
| 87         | SDI                     | RxON             |
| 85         | SDO                     | RxMON            |
| 84         | $\overline{\text{INT}}$ | LOSMUT           |

**NOTE:** While configured in Host mode, the TxON\_n input pins will be active if the TxON\_n bits in the control register are set to “1”, and can be used to turn on and off the transmit output drivers. This permits a system designed for redundancy to quickly switch out a defective line card and switch-in the backup line card.

**TABLE 15: REGISTER MAP AND BIT NAMES**

| ADDRESS (HEX) | PARAMETER NAME                       | DATA BITS |        |        |        |         |         |         |         |
|---------------|--------------------------------------|-----------|--------|--------|--------|---------|---------|---------|---------|
|               |                                      | 7         | 6      | 5      | 4      | 3       | 2       | 1       | 0       |
| 0x00          | APS/Redundancy (read/write)          | RxON-3    | RxON-2 | RxON-1 | RxON_0 | TxON_3  | TxON_2  | TxON_1  | TxON_0  |
| 0x01-0x1F     | Channel 0 - 3 Control Registers      |           |        |        |        |         |         |         |         |
| 0x20          | Interrupt Enable-Global (read/write) | Reserved  |        |        |        | INTEN_3 | INTEN_2 | INTEN_1 | INTEN_0 |
| 0x21          | Interrupt Status (read only)         | Reserved  |        |        |        | INTST_3 | INTST_2 | INTST_1 | INTST_0 |
| 0x22-0x2F     | Reserved                             | Reserved  |        |        |        |         |         |         |         |
| 0x30 - 0x37   | PRBS Count Registers                 |           |        |        |        |         |         |         |         |
| 0x38          | PRBS Holding Register                |           |        |        |        |         |         |         |         |
| 0x39 - 0x3D   | Reserved                             |           |        |        |        |         |         |         |         |

TABLE 15: REGISTER MAP AND BIT NAMES

| ADDRESS (HEX) | PARAMETER NAME              | DATA BITS                  |   |   |   |   |   |   |   |
|---------------|-----------------------------|----------------------------|---|---|---|---|---|---|---|
|               |                             | 7                          | 6 | 5 | 4 | 3 | 2 | 1 | 0 |
| 0x3E          | Chip_id<br>(read only)      | Device part number (7:0)   |   |   |   |   |   |   |   |
| 0x3F          | Chip_version<br>(read only) | Chip revision number (7:0) |   |   |   |   |   |   |   |

TABLE 16: REGISTER MAP DESCRIPTION - GLOBAL

| ADDRESS (HEX) | TYPE      | REGISTER NAME      | SYMBOL       | DESCRIPTION   | DEFAULT VALUE |     |                    |   |   |     |   |   |     |   |   |     |   |   |    |  |
|---------------|-----------|--------------------|--------------|---|---------------|-----|--------------------|---|---|-----|---|---|-----|---|---|-----|---|---|----|--|
| 0x00          | R/W       | APS/Redundancy     | RxON_n       | Bit 4 = RxON_0, Bit 5 = RxON_1, Bit 6 = RxON_2 and Bit 7 = RxON_3<br>Receiver Turn On. Writing a "1" to the bit field turns on the Receiver and a "0" turn off the Receiver.  | 0             |     |                    |   |   |     |   |   |     |   |   |     |   |   |    |  |
|               |           |                    | TxON_n       | Bit 0 = TxON_0, Bit 1 = TxON_1, Bit 2 = TxON_2 and Bit 3 = TxON_3<br>Table below shows the status of the transmitter based on the bit and pin setting.  | 0             |     |                    |   |   |     |   |   |     |   |   |     |   |   |    |  |
|               |           |                    |              | <table border="1"> <thead> <tr> <th>Bit</th> <th>Pin</th> <th>Transmitter Status</th> </tr> </thead> <tbody> <tr> <td>0</td> <td>0</td> <td>OFF</td> </tr> <tr> <td>0</td> <td>1</td> <td>OFF</td> </tr> <tr> <td>1</td> <td>0</td> <td>OFF</td> </tr> <tr> <td>1</td> <td>1</td> <td>ON</td> </tr> </tbody> </table> | Bit           | Pin | Transmitter Status | 0 | 0 | OFF | 0 | 1 | OFF | 1 | 0 | OFF | 1 | 1 | ON |  |
| Bit           | Pin       | Transmitter Status |              |   |               |     |                    |   |   |     |   |   |     |   |   |     |   |   |    |  |
| 0             | 0         | OFF                |              |   |               |     |                    |   |   |     |   |   |     |   |   |     |   |   |    |  |
| 0             | 1         | OFF                |              |   |               |     |                    |   |   |     |   |   |     |   |   |     |   |   |    |  |
| 1             | 0         | OFF                |              |   |               |     |                    |   |   |     |   |   |     |   |   |     |   |   |    |  |
| 1             | 1         | ON                 |              |   |               |     |                    |   |   |     |   |   |     |   |   |     |   |   |    |  |
| 0x20          | R/W       | Interrupt Enable   | INTEN_n      | Bit 0 = INTEN_0, Bit 1 = INTEN_1, Bit 2 = INTEN_2 Bit 3 = INTEN_3.<br>Writing a "1" to these bits enable the interrupts for the corresponding channels.   | 0             |     |                    |   |   |     |   |   |     |   |   |     |   |   |    |  |
| 0x21          | Read Only | Interrupt Status   | INTST_n      | Bit 0 = INTST_0, Bit 1 = INTST_1, Bit 2 = INTST_2 Bit 3 = INTST_3.<br>Respective bits are set to "1" if an interrupt service is required. The respective source level interrupt status registers are read to determine the cause of interrupt.  | 0             |     |                    |   |   |     |   |   |     |   |   |     |   |   |    |  |
| 0x22 - 0x2F   | Reserved  |                    |              |   |               |     |                    |   |   |     |   |   |     |   |   |     |   |   |    |  |
| 0x39 - 0x3D   | Reserved  |                    |              |   |               |     |                    |   |   |     |   |   |     |   |   |     |   |   |    |  |
| 0x3E          | Read Only | Device Number      | Chip_id      | This read only register contains device id.   | 01110100      |     |                    |   |   |     |   |   |     |   |   |     |   |   |    |  |
| 0x3F          | Read Only | Version Number     | Chip_version | This read only register contains chip version number  | 00000001      |     |                    |   |   |     |   |   |     |   |   |     |   |   |    |  |

TABLE 17: REGISTER MAP AND BIT NAMES - CHANNEL 0 REGISTERS

| ADDRESS (HEX) | PARAMETER NAME                   | DATA BITS |          |                |             |            |          |            |         |
|---------------|----------------------------------|-----------|----------|----------------|-------------|------------|----------|------------|---------|
|               |                                  | 7         | 6        | 5              | 4           | 3          | 2        | 1          | 0       |
| 0x01          | Interrupt Enable (read/write)    | Reserved  |          | PRBSER CNTIE_0 | PRBSERI E_0 | FLIE_0     | RLOLIE_0 | RLOSIE_0   | DMOIE_0 |
| 0x02          | Interrupt Status (reset on read) | Reserved  |          | PRBSER CNTIS_0 | PRBSERI S_0 | FLIS_0     | RLOLIS_0 | RLOSI_0    | DMOIS_0 |
| 0x03          | Alarm Status (read only)         | Reserved  | PRBSLS_0 | DLOS_0         | ALOS_0      | FL_0       | RLOL_0   | RLOS_0     | DMO_0   |
| 0x04          | Transmit Control (read/write)    | Reserved  |          | TxMON_0        | INSPRBS_0   | Reserved   | TAOS_0   | TxCiKINV_0 | TxLEV_0 |
| 0x05          | Receive Control (read/write)     | Reserved  |          | DLOSDIS_0      | ALOSDIS_0   | RxCiKINV_0 | LOSMUT_0 | RxMON_0    | REQEN_0 |
| 0x06          | Block Control (read/write)       | Reserved  |          | PRBSEN_0       | RLB_0       | LLB_0      | E3_0     | STS1/DS3_0 | SR/DR_0 |
| 0x07          | Jitter Attenuator (read/write)   | Reserved  |          |                | DFLCK_0     | PNTRST_0   | JA1_0    | JATx/Rx_0  | JA0_0   |
| 0x08          | Reserved                         | Reserved  |          |                |             |            |          |            |         |

TABLE 18: REGISTER MAP AND BIT NAMES - CHANNEL 1 REGISTERS

| ADDRESS (HEX) | PARAMETER NAME                   | DATA BITS |          |                |             |            |          |            |         |
|---------------|----------------------------------|-----------|----------|----------------|-------------|------------|----------|------------|---------|
|               |                                  | 7         | 6        | 5              | 4           | 3          | 2        | 1          | 0       |
| 0x09          | Interrupt Enable (read/write)    | Reserved  |          | PRBSER CNTIE_1 | PRBSERI E_1 | FLIE_1     | RLOLIE_1 | RLOSIE_1   | DMOIE_1 |
| 0x0A          | Interrupt Status (reset on read) | Reserved  |          | PRBSER CNTIS_1 | PRBSERI S_1 | FLIS_1     | RLOLIS_1 | RLOSI_1    | DMOIS_1 |
| 0x0B          | Alarm Status (read only)         | Reserved  | PRBSLS_1 | DLOS_1         | ALOS_1      | FL_1       | RLOL_1   | RLOS_1     | DMO_1   |
| 0x0C          | Transmit Control (read/write)    | Reserved  |          | TxMON_1        | INSPRBS_1   | Reserved   | TAOS_1   | TxCiKINV_1 | TxLEV_1 |
| 0x0D          | Receive Control (read/write)     | Reserved  |          | DLOSDIS_1      | ALOSDIS_1   | RxCiKINV_1 | LOSMUT_1 | RxMON_1    | REQEN_1 |
| 0x0E          | Block Control (read/write)       | Reserved  |          | PRBSEN_1       | RLB_1       | LLB_1      | E3_1     | STS1/DS3_1 | SR/DR_1 |
| 0x0F          | Jitter Attenuator (read/write)   | Reserved  |          |                | DFLCK_1     | PNTRST_1   | JA1_1    | JATx/Rx_1  | JA0_1   |

TABLE 18: REGISTER MAP AND BIT NAMES - CHANNEL 1 REGISTERS

| ADDRESS (HEX) | PARAMETER NAME | DATA BITS |   |   |   |   |   |   |   |
|---------------|----------------|-----------|---|---|---|---|---|---|---|
|               |                | 7         | 6 | 5 | 4 | 3 | 2 | 1 | 0 |
| 0x10          | Reserved       | Reserved  |   |   |   |   |   |   |   |

TABLE 19: REGISTER MAP AND BIT NAMES - CHANNEL 2 REGISTERS

| ADDRESS (HEX) | PARAMETER NAME                   | DATA BITS |          |                |             |            |          |            |         |
|---------------|----------------------------------|-----------|----------|----------------|-------------|------------|----------|------------|---------|
|               |                                  | 7         | 6        | 5              | 4           | 3          | 2        | 1          | 0       |
| 0x11          | Interrupt Enable (read/write)    | Reserved  |          | PRBSER CNTIE_2 | PRBSERI E_2 | FLIE_2     | RLOLIE_2 | RLOSIE_2   | DMOIE_2 |
| 0x12          | Interrupt Status (reset on read) | Reserved  |          | PRBSER CNTIS_2 | PRBSERI S_2 | FLIS_2     | RLOLIS_2 | RLOSI_2    | DMOIS_2 |
| 0x13          | Alarm Status (read only)         | Reserved  | PRBSLS_2 | DLOS_2         | ALOS_2      | FL_2       | RLOL_2   | RLOS_2     | DMO_2   |
| 0x14          | Transmit Control (read/write)    | Reserved  |          | TxMON_2        | INSPRBS_2   | Reserved   | TAOS_2   | TxCiKINV_2 | TxLEV_2 |
| 0x15          | Receive Control (read/write)     | Reserved  |          | DLOSDIS_2      | ALOSDIS_2   | RxCiKINV_2 | LOSMUT_2 | RxMON_2    | REQEN_2 |
| 0x16          | Block Control (read/write)       | Reserved  |          | PRBSEN_2       | RLB_2       | LLB_2      | E3_2     | STS1/DS3_2 | SR/DR_2 |
| 0x17          | Jitter Attenuator (read/write)   | Reserved  |          |                | DFLCK_2     | PNTRST_2   | JA1_2    | JATx/Rx_2  | JA0_2   |
| 0x18          | Reserved                         | Reserved  |          |                |             |            |          |            |         |

TABLE 20: REGISTER MAP AND BIT NAMES - CHANNEL 3 REGISTERS

| ADDRESS (HEX) | PARAMETER NAME                   | DATA BITS |          |                |             |          |          |            |         |
|---------------|----------------------------------|-----------|----------|----------------|-------------|----------|----------|------------|---------|
|               |                                  | 7         | 6        | 5              | 4           | 3        | 2        | 1          | 0       |
| 0x19          | Interrupt Enable (read/write)    | Reserved  |          | PRBSER CNTIE_3 | PRBSERI E_3 | FLIE_3   | RLOLIE_3 | RLOSIE_3   | DMOIE_3 |
| 0x1A          | Interrupt Status (reset on read) | Reserved  |          | PRBSER CNTIS_3 | PRBSERI S_3 | FLIS_3   | RLOLIS_3 | RLOSI_3    | DMOIS_3 |
| 0x1B          | Alarm Status (read only)         | Reserved  | PRBSLS_3 | DLOS_3         | ALOS_3      | FL_3     | RLOL_3   | RLOS_3     | DMO_3   |
| 0x1C          | Transmit Control (read/write)    | Reserved  |          | TxMON_3        | INSPRBS_3   | Reserved | TAOS_3   | TxCiKINV_3 | TxLEV_3 |

FOUR CHANNEL E3/DS3/STS-1 LINE INTERFACE UNIT WITH JITTER ATTENUATOR

TABLE 20: REGISTER MAP AND BIT NAMES - CHANNEL 3 REGISTERS

| ADDRESS (HEX) | PARAMETER NAME                 | DATA BITS |   |           |           |            |          |            |         |
|---------------|--------------------------------|-----------|---|-----------|-----------|------------|----------|------------|---------|
|               |                                | 7         | 6 | 5         | 4         | 3          | 2        | 1          | 0       |
| 0x1D          | Receive Control (read/write)   | Reserved  |   | DLOSDIS_3 | ALOSDIS_3 | RxCIKINV_3 | LOSMUT_3 | RxMON_3    | REQEN_3 |
| 0x1E          | Block Control (read/write)     | Reserved  |   | PRBSEN_3  | RLB_3     | LLB_3      | E3_3     | STS1/DS3_3 | SR/DR_3 |
| 0x1F          | Jitter Attenuator (read/write) | Reserved  |   |           | DFLCK_3   | PNTRST_3   | JA1_3    | JATx/Rx_3  | JA0_3   |

TABLE 21: REGISTER MAP DESCRIPTION

| ADDRESS (HEX)  | TYPE | REGISTER NAME                   | BIT#  | SYMBOL        | DESCRIPTION  | DEFAULT VALUE |
|--|------|---------------------------------|-------|---------------|--|---------------|
| 0x01 (ch 0)<br>0x09 (ch 1)<br>0x11 (ch 2)<br>0x19 (ch 3) | R/W  | Interrupt Enable (source level) | D0    | DMOIE_n       | Set this bit to enable an interrupt when the no transmission detected on channel output.   | 0             |
|  |      |                                 | D1    | RLOSIE_n      | Writing a "1" to this bit enables an interrupt when Receive Los of Signal is detected.   | 0             |
|  |      |                                 | D2    | RLOLIE_n      | Writing a "1" to this bit enables an interrupt when Receive Loss of Lock condition is detected   | 0             |
|  |      |                                 | D3    | FLIE_n        | Writing a "1" to this bit enables the interrupt when the FIFO Limit of the Jitter Attenuator is within 2 bits of overflow/underflow condition.<br><b>NOTE:</b> This bit field is ignored when the Jitter Attenuator is disabled. | 0             |
|  |      |                                 | D4    | PRBSERIE_n    | Set this bit to enable the interrupt when the PRBS error is detected.  | 0             |
|  |      |                                 | D5    | PRBSERCNTIE_n | Set this bit to enable the interrupt when the PRBS error count register saturates.   | 0             |
|  |      |                                 | D7-D6 | Reserved      |  |               |

**TABLE 21: REGISTER MAP DESCRIPTION**

| ADDRESS (HEX)  | TYPE          | REGISTER NAME                   | BIT#  | SYMBOL        | DESCRIPTION   | DEFAULT VALUE |
|--|---------------|---------------------------------|-------|---------------|---|---------------|
| 0x02 (ch 0)<br>0x0A (ch 1)<br>0x12 (ch 2)<br>0x1A (ch 3) | Reset on Read | Interrupt Status (source level) | D0    | DMOIS_n       | This bit is set every time a DMO status change has occurred since the last cleared interrupt. This bit is cleared when the register bit is read.        | 0             |
|  |               |                                 | D1    | RLOIS_n       | This bit is set every time a RLOS status change has occurred since the last cleared interrupt. This bit is cleared when the register bit is read.       | 0             |
|  |               |                                 | D2    | RLOIS_n       | This bit is set every time a RLOL status change has occurred since the last cleared interrupt. This bit is cleared when the register bit is read.       | 0             |
|  |               |                                 | D3    | FLIS_n        | This bit is set every time a FIFO Limit status change has occurred since the last cleared interrupt. This bit is cleared when the register bit is read. | 0             |
|  |               |                                 | D4    | PRBSERIS_n    | This bit is set when the PRBS error occurs.   | 0             |
|  |               |                                 | D5    | PRBSERCNTIS_n | This bit is set when the PRBS error count register saturates.   | 0             |
|  |               |                                 | D7-D6 | Reserved      |   |               |
| 0x03 (ch 0)<br>0x0B (ch 1)<br>0x13 (ch 2)<br>0x1B (ch 3) | Read Only     | Alarm Status                    | D0    | DMO_n         | This bit is set when no transitions on the TTIP/TRING have been detected for $128 \pm 32$ TxCLK periods.  | 0             |
|  |               |                                 | D1    | RLOS_n        | This bit is set every time the receiver declares an LOS condition.  | 0             |
|  |               |                                 | D2    | RLOL_n        | This bit is set every time when the receiver declares a Loss of Lock condition.   | 0             |
|  |               |                                 | D3    | FL_n          | This bit is set every time the FIFO in the Jitter Attenuator is within 2 bit of underflow/overflow condition.   | 0             |
|  |               |                                 | D4    | ALOS_n        | This bit is set every time the receiver declares Analog LOS condition.  | 0             |
|  |               |                                 | D5    | DLOS_n        | This bit is set every time the receiver declares Digital LOS condition.   | 0             |
|  |               |                                 | D6    | PRBSLS_n      | This bit is set every time the PRBS detector is not in sync.  | 0             |
| D7   | Reserved      |                                 |       |               |   |               |

TABLE 21: REGISTER MAP DESCRIPTION

| ADDRESS (HEX)  | TYPE | REGISTER NAME    | BIT#  | SYMBOL    | DESCRIPTION   | DEFAULT VALUE |  |  |
|--|------|------------------|-------|-----------|---|---------------|--|--|
| 0x04 (ch 0)<br>0x0C (ch 1)<br>0x14 (ch 2)<br>0x1C (ch 3) | R/W  | Transmit Control | D0    | TxLEV_n   | Set this bit for cable length greater than 225 feet.<br><br><i>NOTE: See section 4.03 for detailed description.</i>   | 0             |  |  |
|  |      |                  | D1    | TxCkINV_n | Set this bit to sample the data on TPOS/TNEG pins on the rising edge of TxClk.  | 0             |  |  |
|  |      |                  | D2    | TAOS_n    | Set this bit to send a continuous stream of marks (All Ones) out at the TTIP and TRing pins.  | 0             |  |  |
|  |      |                  | D3    | Reserved  |   |               |  |  |
|  |      |                  | D4    | INSPRBS_n | Setting this bit causes the PRBS generator to insert a single-bit error onto the transmit PRBS data stream.<br><br><i>NOTE: PRBS Generator/Detector must be enabled for this bit to have any effect.</i>  | 0             |  |  |
|  |      |                  | D5    | TxMON_n   | Setting this bit causes the driver monitor its own transmit driver. When the transmit failure is detected, DMO output pin goes "High" and DMOIS bit is set.<br><br>When this bit is "0", MTIP and MRing are connected to other transmit channel for monitoring. | 0             |  |  |
|  |      |                  | D7-D6 | Reserved  |   |               |  |  |
| 0x05 (Ch 0)<br>0x0D (Ch 1)<br>0x15 (Ch 2)<br>0x1D (ch 3) | R/W  | Receive Control  | D0    | REQEN_n   | Set this bit to enable the Receive Equalizer.<br><br><i>NOTE: See section 5.01 for detailed description.</i>  | 0             |  |  |
|  |      |                  | D1    | RxMON_n   | Set this bit to configure the Receiver in monitoring mode. In this mode, the Receiver can monitor a signal at the RTIP/RRing pins that has been attenuated up to 20dB flat loss.  | 0             |  |  |
|  |      |                  | D2    | LOSMUT_n  | Setting this bit causes the RPOS/RNEG outputs to "0" while the LOS condition is declared.<br><br><i>NOTE: If this bit has been set, it will remain set even after the LOS condition is cleared.</i>   | 0             |  |  |
|  |      |                  | D3    | RxCkINV_n | Set this bit to configure the Receiver to output RPOS/RNEG data on the falling edge of RxClk_0.   | 0             |  |  |
|  |      |                  | D4    | ALOSDIS_n | Set this bit to disable the ALOS detector.  | 0             |  |  |
|  |      |                  | D5    | DLOSDIS_n | Set this bit to disable the DLOS detector.  | 0             |  |  |
|  |      |                  | D7-D6 | Reserved  |   |               |  |  |

TABLE 21: REGISTER MAP DESCRIPTION

| ADDRESS (HEX)  | TYPE                | REGISTER NAME  | BIT#             | SYMBOL                 | DESCRIPTION  | DEFAULT VALUE  |                  |                  |               |   |   |                  |   |   |              |   |   |        |   |   |         |  |
|--|---------------------|--|------------------|------------------------|--|--|------------------|------------------|---------------|---|---|------------------|---|---|--------------|---|---|--------|---|---|---------|--|
| 0x06 (Ch 0)<br>0x0E (Ch 1)<br>0x16 (Ch 2)<br>0x1E 9ch 3) | R/W                 | Block Control  | D0               | SR/DR <sub>n</sub>     | Setting this bit configures the Receiver and Transmitter in Single-Rail (NRZ) mode.<br><i>NOTE: See section 4.0 for detailed description.</i>          | 0  |                  |                  |               |   |   |                  |   |   |              |   |   |        |   |   |         |  |
|  |                     |  | D1               | STS-1/DS3 <sub>n</sub> | Setting this bit configures the channel into STS-1 mode.<br><i>NOTE: This bit field is ignored if the channel is configured to operate in E3 mode.</i> | 0  |                  |                  |               |   |   |                  |   |   |              |   |   |        |   |   |         |  |
|  |                     |  | D2               | E3 <sub>n</sub>        | Setting this bit configures the channel in E3 mode.  | 0  |                  |                  |               |   |   |                  |   |   |              |   |   |        |   |   |         |  |
|  |                     |  | D3               | LLB <sub>n</sub>       | Setting this bit configures the channel in Local Loopback mode.  | 0  |                  |                  |               |   |   |                  |   |   |              |   |   |        |   |   |         |  |
|  |                     |  | D4               | RLB <sub>n</sub>       | Setting this bit configures the channel in Remote Loopback mode.   | 0  |                  |                  |               |   |   |                  |   |   |              |   |   |        |   |   |         |  |
|  |                     |  |                  |                        |  | <table border="1"> <thead> <tr> <th>RLB<sub>n</sub></th> <th>LLB<sub>n</sub></th> <th>Loopback Mode</th> </tr> </thead> <tbody> <tr> <td>0</td> <td>0</td> <td>Normal Operation</td> </tr> <tr> <td>0</td> <td>1</td> <td>Analog Local</td> </tr> <tr> <td>1</td> <td>0</td> <td>Remote</td> </tr> <tr> <td>1</td> <td>1</td> <td>Digital</td> </tr> </tbody> </table> | RLB <sub>n</sub> | LLB <sub>n</sub> | Loopback Mode | 0 | 0 | Normal Operation | 0 | 1 | Analog Local | 1 | 0 | Remote | 1 | 1 | Digital |  |
|  |                     |  | RLB <sub>n</sub> | LLB <sub>n</sub>       | Loopback Mode  |  |                  |                  |               |   |   |                  |   |   |              |   |   |        |   |   |         |  |
| 0  | 0                   | Normal Operation   |                  |                        |  |  |                  |                  |               |   |   |                  |   |   |              |   |   |        |   |   |         |  |
| 0  | 1                   | Analog Local   |                  |                        |  |  |                  |                  |               |   |   |                  |   |   |              |   |   |        |   |   |         |  |
| 1  | 0                   | Remote   |                  |                        |  |  |                  |                  |               |   |   |                  |   |   |              |   |   |        |   |   |         |  |
| 1  | 1                   | Digital  |                  |                        |  |  |                  |                  |               |   |   |                  |   |   |              |   |   |        |   |   |         |  |
| D5   | PRBSEN <sub>n</sub> | Setting this bit enables the PRBS generator/detector. PRBS generator generate and detect either 2 <sup>15</sup> -1 (DS3 or STS-1) or 2 <sup>23</sup> -1 (for E3). The pattern generated and detected are unframed pattern. | 0                |                        |  |  |                  |                  |               |   |   |                  |   |   |              |   |   |        |   |   |         |  |
| D7-D6  |                     |  | Reserved         |                        |  |  |                  |                  |               |   |   |                  |   |   |              |   |   |        |   |   |         |  |

TABLE 21: REGISTER MAP DESCRIPTION

| ADDRESS (HEX)  | TYPE      | REGISTER NAME   | BIT#                    | SYMBOL   | DESCRIPTION  | DEFAULT VALUE |       |      |   |   |             |   |   |             |   |   |                           |   |   |                           |   |
|--|-----------|---|-------------------------|----------|--|---------------|-------|------|---|---|-------------|---|---|-------------|---|---|---------------------------|---|---|---------------------------|---|
| 0x07 (Ch 0)<br>0x0F (Ch 1)<br>0x17 (Ch 2)<br>0x1F (ch 3) | R/W       | Jitter Attenuator   | D0                      | JA0_n    | This bit along with JA1_n bit configures the Jitter Attenuator as shown in the table below.<br><br><table border="1" style="margin-left: 20px;"> <thead> <tr> <th>JA0_n</th> <th>JA1_n</th> <th>Mode</th> </tr> </thead> <tbody> <tr> <td>0</td> <td>0</td> <td>16 bit FIFO</td> </tr> <tr> <td>0</td> <td>1</td> <td>32 bit FIFO</td> </tr> <tr> <td>1</td> <td>0</td> <td>Disable Jitter Attenuator</td> </tr> <tr> <td>1</td> <td>1</td> <td>Disable Jitter Attenuator</td> </tr> </tbody> </table> | JA0_n         | JA1_n | Mode | 0 | 0 | 16 bit FIFO | 0 | 1 | 32 bit FIFO | 1 | 0 | Disable Jitter Attenuator | 1 | 1 | Disable Jitter Attenuator | 0 |
|  |           |   | JA0_n                   | JA1_n    | Mode   |               |       |      |   |   |             |   |   |             |   |   |                           |   |   |                           |   |
|  |           |   | 0                       | 0        | 16 bit FIFO  |               |       |      |   |   |             |   |   |             |   |   |                           |   |   |                           |   |
|  |           |   | 0                       | 1        | 32 bit FIFO  |               |       |      |   |   |             |   |   |             |   |   |                           |   |   |                           |   |
|  |           |   | 1                       | 0        | Disable Jitter Attenuator  |               |       |      |   |   |             |   |   |             |   |   |                           |   |   |                           |   |
|  |           |   | 1                       | 1        | Disable Jitter Attenuator  |               |       |      |   |   |             |   |   |             |   |   |                           |   |   |                           |   |
| D1   | JATx/Rx_n | Setting this bit selects the Jitter Attenuator in the Transmit Path. A "0" selects in the Receive Path.   | 0                       |          |  |               |       |      |   |   |             |   |   |             |   |   |                           |   |   |                           |   |
| D2   | JA1_n     | This bit along with the JA0_n configures the Jitter Attenuator as shown in the table.   | 0                       |          |  |               |       |      |   |   |             |   |   |             |   |   |                           |   |   |                           |   |
| D3   | PNTRST_n  | Setting this bit resets the Read and Write pointers of the jitter attenuator FIFO.  | 0                       |          |  |               |       |      |   |   |             |   |   |             |   |   |                           |   |   |                           |   |
| D4   | DFLCK_n   | Set this bit to "1" to disable fast locking of the PLL. This helps to reduce the time for the PLL to lock to incoming frequency when Jitter Attenuator switches to narrow band. | 0                       |          |  |               |       |      |   |   |             |   |   |             |   |   |                           |   |   |                           |   |
|  |           |   | D7-D5                   | Reserved |  |               |       |      |   |   |             |   |   |             |   |   |                           |   |   |                           |   |
| 0x30 (Ch 0)<br>0x32 (Ch 1)<br>0x34 (Ch 2)<br>0x36 (ch 3) | RO        | PRBS COUNT REG  | PRBS COUNT REGISTER MSB |          |  | 0             |       |      |   |   |             |   |   |             |   |   |                           |   |   |                           |   |
| 0x31 (Ch 0)<br>0x33 (Ch 1)<br>0x35 (Ch 2)<br>0x37 (ch 3) | RO        | PRBS COUNT REG  | PRBS COUNT REGISTER LSB |          |  | 0             |       |      |   |   |             |   |   |             |   |   |                           |   |   |                           |   |
| 0x38   | RO        | PRBS HOLDING REG  | PRBS HOLDING REGISTER   |          |  | 0             |       |      |   |   |             |   |   |             |   |   |                           |   |   |                           |   |
| 0x08<br>0x10<br>0x18                                     | Reserved  |   |                         |          |  |               |       |      |   |   |             |   |   |             |   |   |                           |   |   |                           |   |

**8.0 DIAGNOSTIC FEATURES:**

**8.1 PRBS Generator and Detector:**

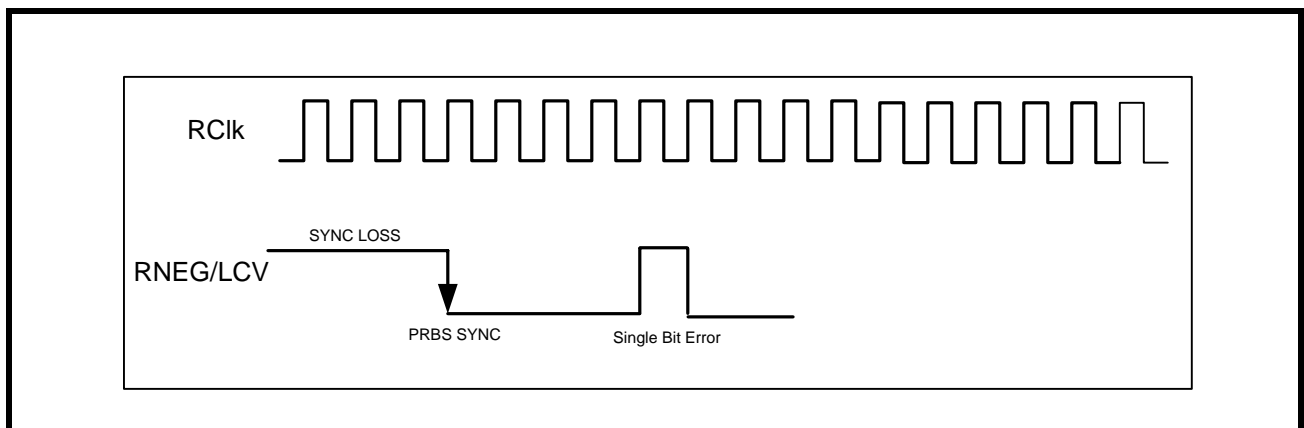
The XRT75L04 contains an on-chip Pseudo Random Binary Sequence (PRBS) generator and detector for diagnostic purpose. This feature is only available in Host mode. With the PRBSEN\_n bit = “1”, the transmitter will send out PRBS of  $2^{23}-1$  in E3 rate or  $2^{15}-1$  in STS-1/DS3 rate. At the same time, the receiver PRBS detector is also enabled. When the correct PRBS pattern is detected by the receiver, the RNEG/LCV pin will go “Low” to indicate PRBS synchronization has been achieved. When the PRBS detector is not in sync the PRBSLS bit will be set to “1” and RNEG/LCV pin will go “High”.

With the PRBS mode enabled, the user can also insert a single bit error by toggling “INSPRBS” bit. This is done by writing a “1” to INSPRBS bit. The receiver at RNEG/LCV pin will pulse “High” for one RxClk cycle for every bit error detected. Any subsequent single bit error insertion must be done by first writing a “0” to INSPRBS bit and followed by a “1”.

Figure 25 shows the status of RNEG/LCV pin when the XRT75L04 is configured in PRBS mode.

**NOTE:** In PRBS mode, the device is forced to operate in Single-Rail Mode.

**FIGURE 25. PRBS MODE**



**8.2 LOOPBACKS:**

The XRT75L04 offers three loopback modes for diagnostic purposes. In Hardware mode, the loopback modes are selected via the RLB\_n and LLB\_n pins. In Host mode, the RLB\_n and LLB\_n bits in the Channel control registers select the loopback modes.

**8.2.1 ANALOG LOOPBACK:**

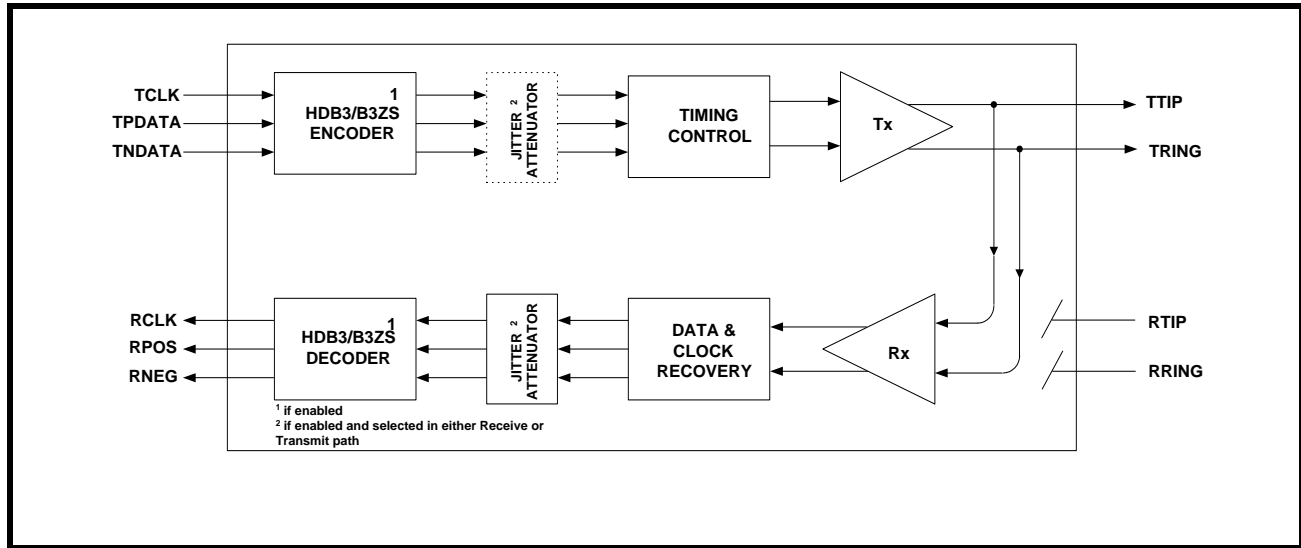
In this mode, the transmitter outputs (TTIP\_n and TRING\_n) are connected internally to the receiver inputs (RTIP\_n and RRING\_n) as shown in Figure 26. Data and clock are output at RCLK\_n, RPOS\_n and RNEG\_n pins for the corresponding transceiver. Analog loopback exercises most of the functional blocks of the device including the jitter attenuator which can be selected in either the transmit or receive path.

XRT75L04 can be configured in Analog Loopback either in Hardware mode via the LLB\_n and RLB\_n pins or in Host mode via LLB\_n and RLB\_n bits in the channel control registers.

**NOTES:**

1. In the Analog loopback mode, data is also output via TTIP\_n and TRING\_n pins.
2. Signals on the RTIP\_n and RRING\_n pins are ignored during analog loopback.

FIGURE 26. ANALOG LOOPBACK

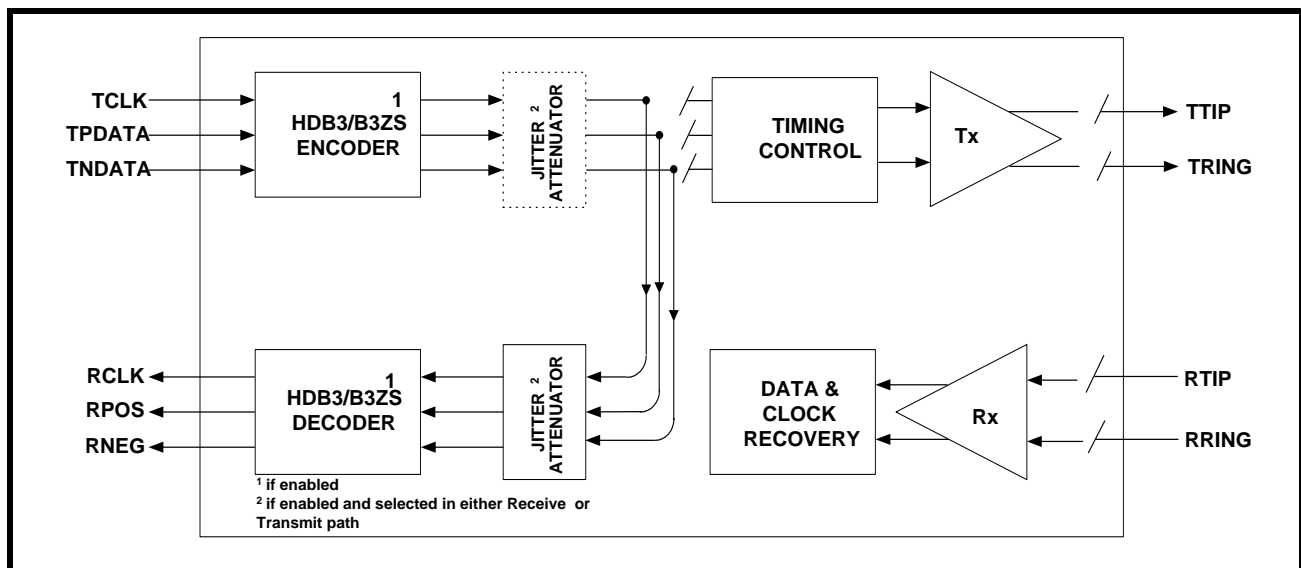


**8.2.2 DIGITAL LOOPBACK:**

The Digital Loopback function is available either in Hardware mode or Host mode. When the Digital Loopback is selected, the transmit clock (TxClk\_n) and transmit data inputs (TPOS\_n & TNEG\_n) are looped back and output onto the RxClk\_n, RPOS\_n and RNEG\_n pins as shown in Figure 27. The data presented on TxClk, TPOS and TNEG are not output on the TTIP and TRING pins. This provides the capability to configure the protection card (in redundancy applications) in Digital Loopback mode without affecting the traffic on the primary card.

*NOTE: Signals on the RTIP\_n and RRING\_n pins are ignored during digital loopback.*

FIGURE 27. DIGITAL LOOPBACK



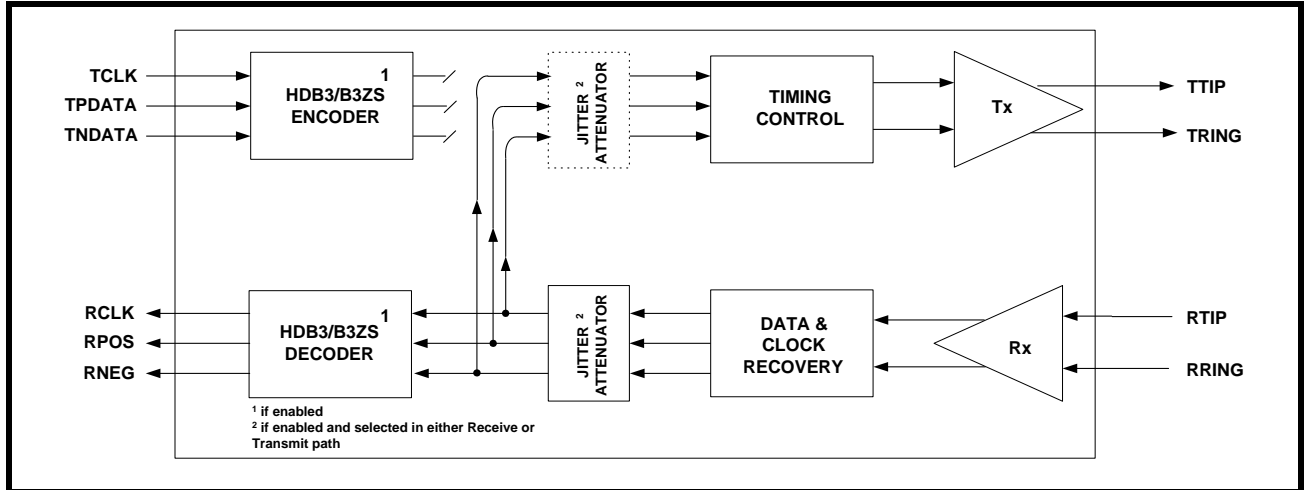
**8.2.3 REMOTE LOOPBACK:**

With Remote loopback activated as shown in Figure 28, the receive data on RTIP and RRING is looped back after the jitter attenuator (if selected in receive or transmit path) to the transmit path using RxClk as transmit timing. The receive data is also output via the RPOS and RNEG pins.

During the remote loopback mode, if the jitter attenuator is selected in the transmit path, the receive data after the Clock and Data Recovery Block is looped back to the transmit path and passed through the jitter attenuator using RxClk as the transmit timing.

*NOTE: Input signals on TxClk, TPOS and TNEG are ignored during Remote loopback.*

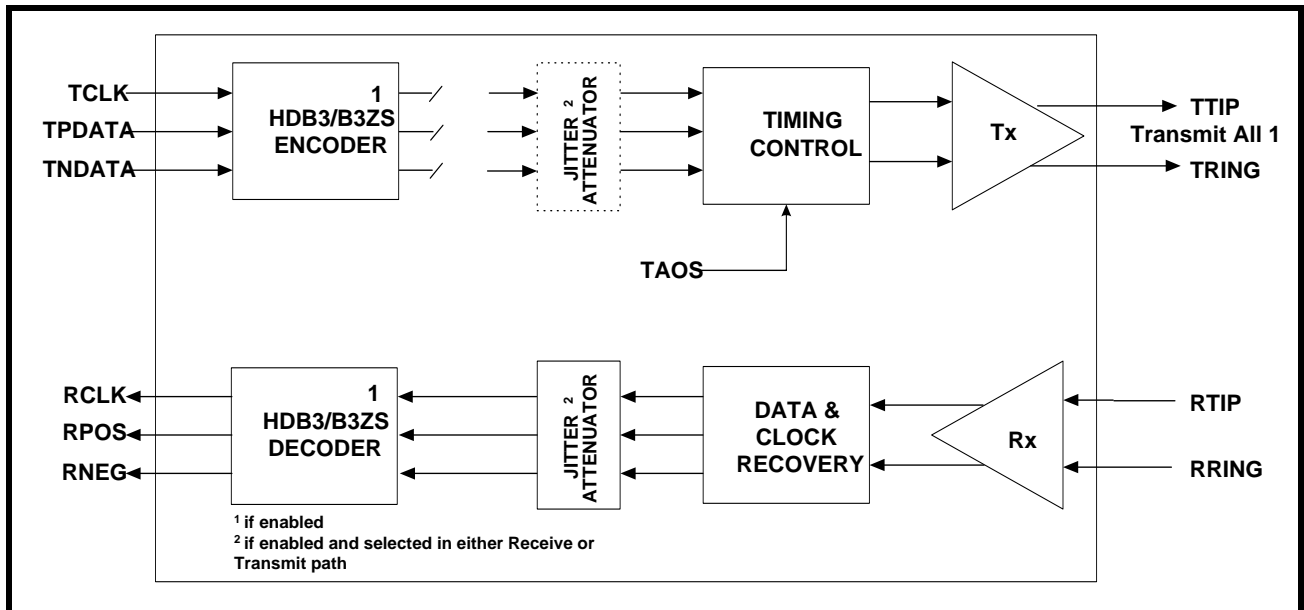
**FIGURE 28. REMOTE LOOPBACK**



**8.3 TRANSMIT ALL ONES (TAOS):**

Transmit All Ones (TAOS) can be set either in Hardware mode by pulling the TAOS\_n pins “High” or in Host mode by setting the TAOS\_n control bits to “1” in the Channel control registers. When the TAOS is set, the Transmit Section generates and transmits a continuous AMI all “1’s” pattern on TTIP\_n and TRING\_n pins. The frequency of this “1’s” pattern is determined by TClk\_n. TAOS data path is shown in Figure 29.

**FIGURE 29. TRANSMIT ALL ONES (TAOS)**



**APPENDIX B**

**TABLE 22: TRANSFORMER RECOMMENDATIONS**

| PARAMETER          | VALUE       |
|--------------------|-------------|
| Turns Ratio        | 1:1         |
| Primary Inductance | 40 $\mu$ H  |
| Isolation Voltage  | 1500 Vrms   |
| Leakage Inductance | 0.6 $\mu$ H |

**TABLE 23: TRANSFORMER DETAILS**

| PART NUMBER | VENDOR     | INSULATION | PACKAGE TYPE    |
|-------------|------------|------------|-----------------|
| PE-68629    | PULSE      | 3000 V     | Large Thru-hole |
| PE-65966    | PULSE      | 1500 V     | Samll Thru-hole |
| PE-65967    | PULSE      | 1500 V     | SMT             |
| T 3001      | PULSE      | 1500 V     | SMT             |
| TG01-0406NS | HALO       | 1500 V     | SMT             |
| TTI 7601-SM | TransPower | 1500 V     | SMT             |

**TRANSFORMER VENDOR INFORMATION**

**Pulse**

**Corporate Office**

12220 World Trade Drive  
 San Diego, CA 92128  
 Tel: (858)-674-8100  
 FAX: (858)-674-8262

**Europe**

1 & 2 Huxley Road  
 The Surrey Research Park  
 Guildford, Surrey GU2 5RE  
 United Kingdom  
 Tel: 44-1483-401700  
 FAX: 44-1483-401701

**Asia**

150 Kampong Ampat

#07-01/02

KA Centre

Singapore 368324

Tel: 65-287-8998

**Website:** <http://www.pulseeng.com>**Halo Electronics****Corporate Office**

P.O. Box 5826

Redwood City, CA 94063

Tel: (650)568-5800

FAX: (650)568-6165

**Email:** [info@haloelectronics.com](mailto:info@haloelectronics.com)**Website:** <http://www.haloelectronics.com>**Transpower Technologies, Inc.****Corporate Office**

Park Center West Building

9805 Double R Blvd, Suite # 100

Reno, NV 89511

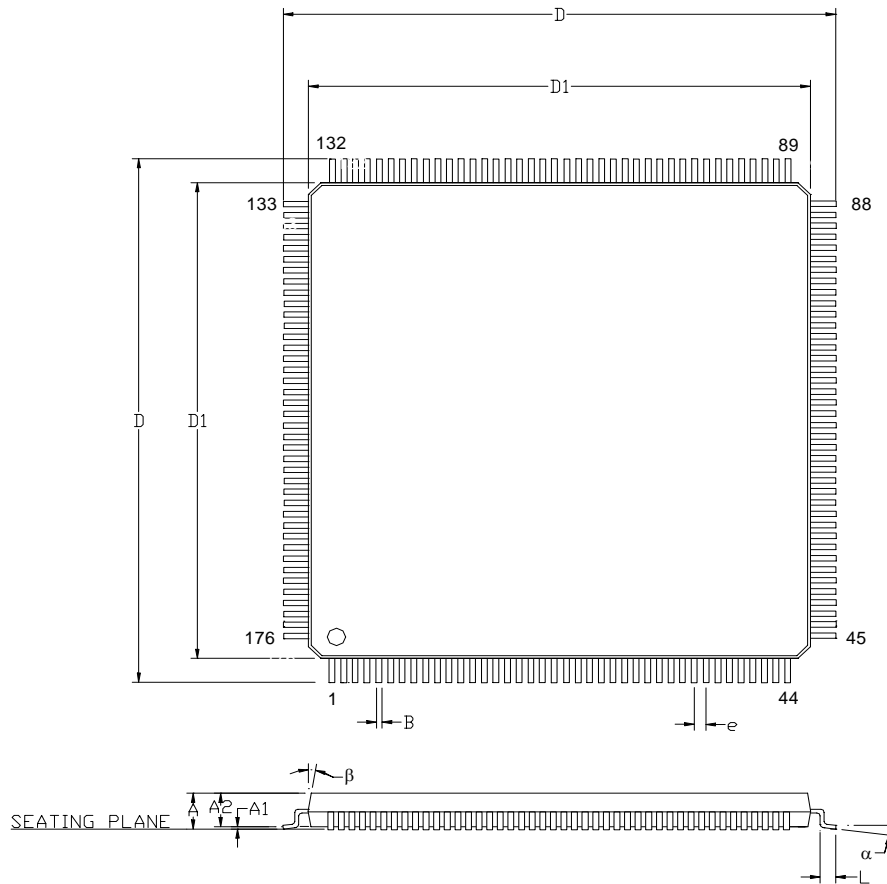
(800)500-5930 or (775)852-0140

**Email:** [info@trans-power.com](mailto:info@trans-power.com)**Website:** <http://www.trans-power.com>

**ORDERING INFORMATION**

| PART NUMBER | PACKAGE                       | OPERATING TEMPERATURE RANGE |
|-------------|-------------------------------|-----------------------------|
| XRT75L04IV  | 24 x 24 x 1.4 mm 176 Pin LQFP | - 40 °C to + 85 °C          |

**PACKAGE DIMENSIONS - 176 PIN PACKAGE**



Note: The control dimension is in millimeters.

| SYMBOL | INCHES    |       | MILLIMETERS |       |
|--------|-----------|-------|-------------|-------|
|        | MIN       | MAX   | MIN         | MAX   |
| A      | 0.055     | 0.063 | 1.40        | 1.60  |
| A1     | 0.002     | 0.006 | 0.05        | 0.15  |
| A2     | 0.053     | 0.057 | 1.35        | 1.45  |
| B      | 0.007     | 0.011 | 0.17        | 0.27  |
| C      | 0.004     | 0.008 | 0.09        | 0.20  |
| D      | 1.016     | 1.031 | 25.80       | 26.20 |
| D1     | 0.941     | 0.949 | 23.90       | 24.10 |
| e      | 0.020 BSC |       | 0.50 BSC    |       |
| L      | 0.018     | 0.030 | 0.45        | 0.75  |
| α      | 0°        | 7°    | 0°          | 7°    |
| β      | 7° typ    |       | 7° typ      |       |

**REVISIONS**

| REV. # | DATE     | CHANGES   |
|--------|----------|---|
| P1.0.0 | 2002     | Original preliminary data sheet   |
| P1.0.1 | 05/02    | Cleaned up the Typo errors. Included the eval board schematics. Added some explanation in the register map. |
| 1.0.0  | 07/03    | Release to production, included electrical specs.   |
| 1.0.1  | 11/03    | Changed ICC in the electrical characteristics. Removed the evaluation board schematic.                      |
| 1.0.2  | 01/06    | Changed power dissipation and package power ratings.  |
| 1.0.3  | 01/18/06 | Changed package designation from QFP or TQFP to LQFP.   |
| 1.0.4  | 07/11/06 | Removed reference to Jitter Attenuator 128 bit FIFO.  |

**NOTICE**

EXAR Corporation reserves the right to make changes to the products contained in this publication in order to improve design, performance or reliability. EXAR Corporation assumes no responsibility for the use of any circuits described herein, conveys no license under any patent or other right, and makes no representation that the circuits are free of patent infringement. Charts and schedules contained here in are only for illustration purposes and may vary depending upon a user's specific application. While the information in this publication has been carefully checked; no responsibility, however, is assumed for inaccuracies.

EXAR Corporation does not recommend the use of any of its products in life support applications where the failure or malfunction of the product can reasonably be expected to cause failure of the life support system or to significantly affect its safety or effectiveness. Products are not authorized for use in such applications unless EXAR Corporation receives, in writing, assurances to its satisfaction that: (a) the risk of injury or damage has been minimized; (b) the user assumes all such risks; (c) potential liability of EXAR Corporation is adequately protected under the circumstances.

Copyright 2006 EXAR Corporation

Datasheet July 2006.

Reproduction, in part or whole, without the prior written consent of EXAR Corporation is prohibited.

## Looking for pricing, stock, or lifecycle information?

Click below to explore more details on WIN SOURCE:

 [View XRT75L04IV on WIN SOURCE](#)

 [MaxLinear Inc Information](#)

## Optimize Your Supply Chain with WIN SOURCE Solutions

-  Global Sourcing Solution
-  Obsolete Management
-  Cost Control Management
-  Shortage Management
-  Alternative Solution
-  Excess Inventory Management