



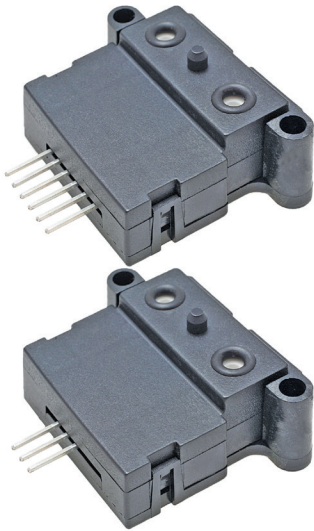
**THE DATASHEET OF  
AWM43600V**



# AWM40000 SERIES

008345  
Issue 7

## Airflow Sensors: Amplified and Unamplified



### DESCRIPTION

The AWM40000 Series Airflow Sensors are based on proven microbridge technology and include both unamplified sensor-only devices and amplified signal conditioned devices.

The microbridge mass airflow sensor operates on the theory of heat transfer. Mass airflow is directed across the surface of the sensing elements. Output voltage varies in proportion to the mass air or other gas flow through the inlet and outlet ports of the package.

This sensor has a unique silicon chip based on advanced microstructure technology. It consists of a thin film, thermally-isolated bridge structure containing heater, and temperature sensing elements. The bridge structure provides a sensitive and fast response to the flow of air or other gas over the chip. Dual sensing elements positioned on both sides of a central heating element indicate flow direction as well as flow rate.

The specially-designed housing precisely directs and controls the airflow across the microstructure sensing element. Mechanical design of the package allows it to be easily mounted to printed circuit boards.

Laser-trimmed, thick film and thin film resistors provide consistent

interchangeability from one device to the next. The microbridge mass airflow sensor uses temperature sensitive resistors deposited within a thin film of silicon nitride. They are suspended in the form of two bridges over an etched cavity in the silicon.

The chip is located in a precisely dimensioned airflow channel to provide a repeatable flow response. Highly effective, thermal isolation for the heater and sensing resistors is attained by etching the cavity space beneath the flow sensor bridges.

The small size and thermal isolation of the microbridge mass airflow sensor are responsible for the extremely fast response and high sensitivity to flows. Dual Wheatstone bridges control airflow measurement—one provides closed loop heater control, the other contains the dual sensing elements.

The heater circuit minimizes shift due to ambient temperature changes by providing an output proportional to mass flow. The circuit keeps the heater temperature at a constant differential (160 °C) above ambient air temperature which is sensed by a heat-sunk resistor on the chip. The ratiometric voltage output of the device corresponds to the differential voltage across the Wheatstone bridge circuit.

The unamplified versions require both the heater control circuit (Fig. 2) and the sensing bridge supply circuit (Fig. 3) for operation per specification. These two circuits are not on board the sensor and must be supplied in the application. The differential amplifier circuitry (Fig. 4) may be useful in providing output gain and/or introducing voltage offsets to the sensor output (Fig. 5).

The amplified versions can be used to increase output gain and introduce voltage offsets. The circuits shown in Figs. 2, 3, and 4 are all provided onboard.

### FEATURES

- Precision silicon micromachining
- Sensitivity to low flows (0.1 SCCM to 6 SLPM)
- Adaptable for use with higher flows
- Low power consumption allows for use in portable devices and battery-powered applications
- Analog output
- Standard 2,54 mm [0.10 in] mounting centers
- Laser-trimmed interchangeability
- Accurate sensing of low pressure

### APPLICATIONS

- **Medical**
  - Respirators and ventilators
  - Oxygen concentrators and conservers
  - Anesthesia machines
- **Industrial**
  - HVAC damper control
  - Gas analyzers
  - Low vacuum control
  - Process control
  - Leak detection equipment
  - Vent hoods
  - Gas metering
  - Chromatography

### PORTFOLIO

To view the entire mass airflow product portfolio, [click here](#).

**Honeywell**

# AIRFLOW SENSORS: AMPLIFIED AND UNAMPLIFIED

## AWM40000 SERIES

**TABLE 1. SPECIFICATIONS**

CHARACTERISTIC	UNAMPLIFIED		AMPLIFIED	
	AWM42150VH	AWM42300V	AWM43300V	AWM43600V-2
<b>Flow range (full scale)<sup>1</sup></b>	±30 SCCM	±1000 SCCM	+1000 SCCM	0 SLPM to 6 SLPM
<b>Calibration gas</b>	—	—	nitrogen	nitrogen
<b>Recommended excitation voltage</b>	10 ±0.01 Vdc	10 ±0.01 Vdc	10.000 ±0.010 Vdc	10.000 ±0.010 Vdc
<b>Power supply:</b>				
<b>minimum</b>	8.0 Vdc	8.0 Vdc	8.000 Vdc	10.000 Vdc
<b>maximum</b>	15.0 Vdc	15.0 Vdc	15.000 Vdc	15.000 Vdc
<b>Power consumption</b>	30 mW typ.	30 mW typ.	60 mW max.	75 mW max.
<b>Output at laser trim point</b>	8.5 mV ±1.5 mVdc at 25 SCCM	55.2 mV ±2.0 mVdc at 1000 SCCM	5 Vdc ±0.15 Vdc at 1000 SCCM	5 Vdc ±0.15 Vdc at 6 SLPM
<b>Null output</b>	0 mV ±1 mV	0.0 mVdc ±1.5 mVdc	1.000 Vdc ±0.050 Vdc	1.000 Vdc ±0.050 Vdc
<b>Null output shift (-25°C to 85°C)</b>	±0.20 mVdc	±0.20 mVdc	±0.025 Vdc max.	±50 mVdc max.
<b>Output voltage shift:</b>				
<b>25°C to -25°C</b>	+2.5 % reading max.	+2.5 % reading,max.	-5.0 % reading max.	-7.0 % reading max.
<b>25°C to 85°C</b>	-2.5 % reading max.	-2.5 % reading max.	+6.0 % reading max.	+7.0 % reading max.
<b>Repeatability and hysteresis<sup>1</sup></b>	±0.35 % FSO typ.	±0.50 % reading typ.	±0.5 % reading max.	±1.00 % reading max.
<b>Pressure drop at full scale</b>	0.008 inH <sub>2</sub> O typ.	1.02 inH <sub>2</sub> O typ.	1.02 inH <sub>2</sub> O typ.	8 inH <sub>2</sub> O typ.
<b>Response time<sup>2</sup></b>	1.0 ms typ. 3.0 ms max.	1.0 ms typ. 3.0 ms max.	1.0 ms nom.	1.0 ms nom. 3.0 ms max.
<b>Overpressure</b>	17.2 bar [250 psi] max.	10.3 bar [150 psi]	10.3 bar [150 psi]	1.7 bar [25 psi]
<b>Maximum flow pulse to prevent damage</b>	5 SLPM/s	5 SLPM/s	5 SLPM/s	5 SLPM/s
<b>Output load:</b>				
<b>NPN (sinking)</b>	10 mA	10 mA	10 mA	10 mA source, 20 mA typ.
<b>PNP (sourcing)</b>	20 mA	20 mA	20 mA	
<b>Operating temperature range</b>	-25°C to 85°C [-13°F to 185°F]	-25°C to 85°C [-13°F to 185°F]	-25°C to 85°C [-13°F to 185°F]	-25°C to 85°C [-13°F to 185°F]
<b>Storage temperature range</b>	-40°C to 125°C [-40°F to 251°F]	-40°C to 125°C [-40°F to 251°F]	-40°C to 90°C [-40°F to 194°F]	-40°C to 125°C [-40°F to 251°F]
<b>Ratiometricity error</b>	±0.30 % reading	±0.3 % reading	±0.3 % reading nom.	±0.8 % reading max.
<b>Shock (5 drops, 6 axes)</b>	100 g peak	100 g peak	100 g peak	100 g peak
<b>Weight</b>	17.5 g [0.62 oz] <sup>3</sup>	—	—	11 g [0.39 oz]

<sup>1</sup>Output voltage is ratiometric to supply voltage.

<sup>2</sup>Repeatability and hysteresis tolerances reflect inherent inaccuracies of the measurement equipment.

<sup>3</sup>Includes 4.3 g for backing plate.

# AIRFLOW SENSORS: AMPLIFIED AND UNAMPLIFIED

## AWM40000 SERIES

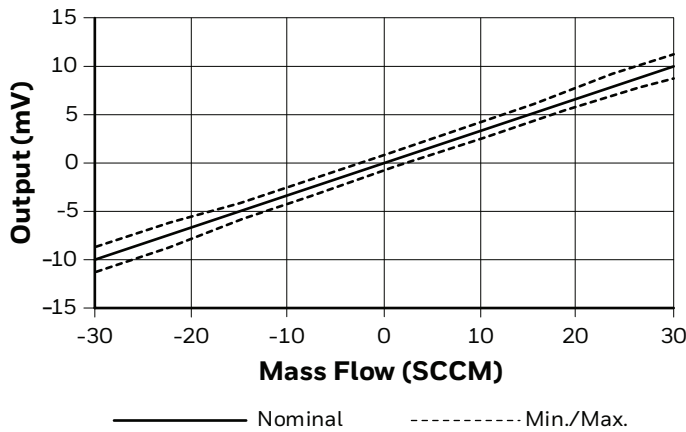
**TABLE 2. OUTPUT FLOW VS. INTERCHANGEABILITY (AT 10.0 ±0.01 VDC AT 25°C [77°F])<sup>1</sup>**

AWM42150VH				AWM42300V				AWM43300V				AWM43600V-2			
Pressure (ubar)	Flow (SCCM)	Nom. (mV)	Tolerance (±mV)	Pressure (mbar)	Flow (SCCM)	Nom. (mVdc)	Tolerance (±mVdc)	Pressure (mbar)	Flow (SCCM)	Nom. (Vdc)	Tolerance (±Vdc)	Pressure (mbar)	Flow (SLPM)	Nom. (Vdc)	Tolerance (±Vdc)
20	<b>30</b>	9.9	1.5	—	<b>1000</b>	55.2	2.0	2.23	<b>1000</b>	5.000	0.15	20.0	<b>6</b>	5.00	0.15
17	<b>25</b>	8.5	1.5	—	<b>800</b>	53.0	2.0	1.87	<b>900</b>	4.970	0.16	14.7	<b>5</b>	4.89	0.20
14	<b>20</b>	6.8	1.5	—	<b>600</b>	49.3	2.5	1.52	<b>800</b>	4.885	0.17	9.07	<b>4</b>	4.65	0.25
10	<b>15</b>	5.2	1.0	—	<b>400</b>	43.5	3.5	1.16	<b>700</b>	4.775	0.18	6.40	<b>3</b>	4.35	0.40
7	<b>10</b>	3.5	1.0	—	<b>200</b>	31.5	4.0	0.94	<b>600</b>	4.630	0.19	3.35	<b>2</b>	3.75	0.55
3	<b>5</b>	1.7	1.0	—	<b>0</b>	0	1.5	0.71	<b>500</b>	4.430	0.20	11.7	<b>1</b>	2.90	0.50
0	<b>0</b>	0.0	1.0	—	<b>200</b>	-31.5	4.0	-0.50	<b>400</b>	4.155	0.21	00.0	<b>0</b>	1.00	0.05
—	—	—	—	—	<b>-400</b>	-43.5	5.0	-0.33	<b>300</b>	3.760	0.19	—	—	—	—
—	—	—	—	—	<b>-600</b>	-49.3	6.0	0.19	<b>200</b>	3.225	0.17	—	—	—	—
—	—	—	—	—	<b>-800</b>	-53.0	6.0	0.08	<b>100</b>	2.485	0.14	—	—	—	—
—	—	—	—	—	<b>-1000</b>	-55.2	6.0	0.00	<b>0</b>	1.000	0.05	—	—	—	—

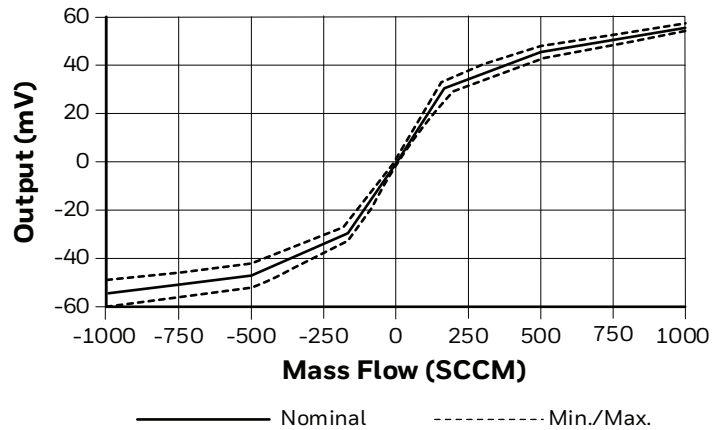
<sup>1</sup>Numbers in bold type indicate calibration type, mass flow, or differential pressure. Tolerance values apply to calibration type only.

**Figure 1. Performance Curves**

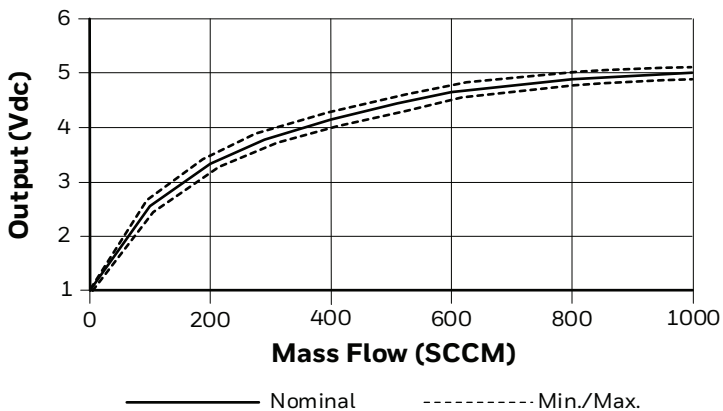
**AWM42150VH**



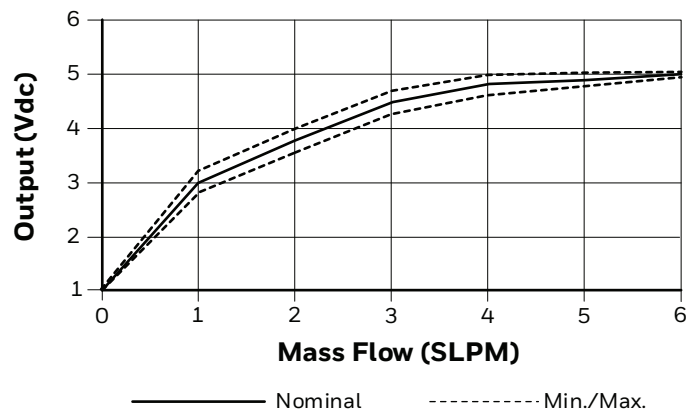
**AWM42300V**



**AWM43300V**



**AWM43600V-2**



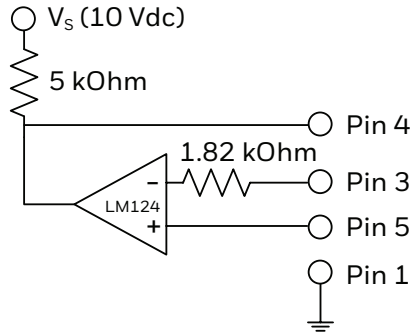
# AIRFLOW SENSORS: AMPLIFIED AND UNAMPLIFIED

## AWM40000 SERIES

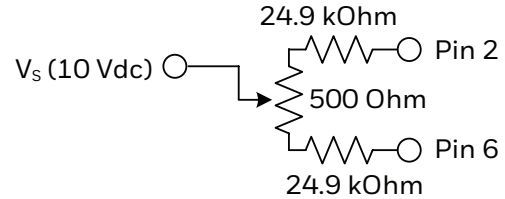
### NOTICE

Both the Heater Control Circuit (Fig. 2) and the Sensing Bridge Supply Circuit (Fig 3.) are required for operation per specification when using the unamplified devices. These two circuits are not onboard the sensor and must be supplied in the applications.

**Figure 2. Heater Control Circuit**



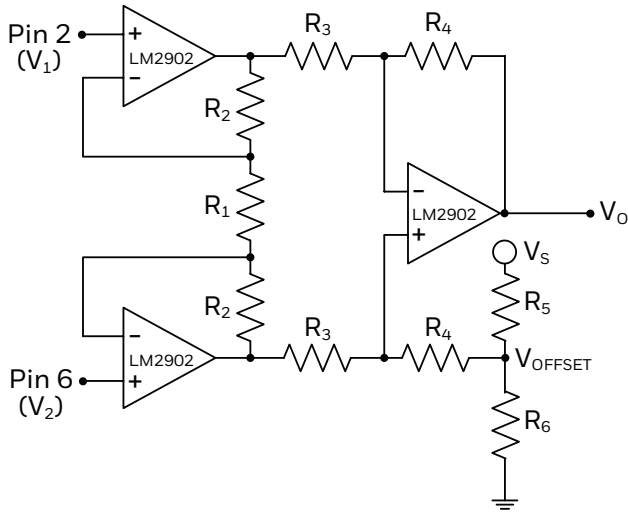
**Figure 3. Sensing Bridge Supply Circuit**



### NOTICE

The differential amplifier circuitry in Fig. 4 may be useful in providing output gain and/or introducing voltage offsets to the sensor output (see Fig. 5) when using the unamplified devices.

**Figure 4. Differential Instrumentation Amplifier Circuit**



**Figure 5. Equation**

$$V_O = \left( \frac{2R_2 + R_1}{R_1} \right) \left( \frac{R_4}{R_3} \right) (V_2 - V_1) + V_{\text{OFFSET}}$$

$$\text{where } V_{\text{OFFSET}} = V_S \left( \frac{R_6}{R_5 + R_6} \right)$$

# AIRFLOW SENSORS: AMPLIFIED AND UNAMPLIFIED

## AWM40000 SERIES

### CAUTION

#### PRODUCT DAMAGE

Do not use the AWM40000 Series to sense liquid flow.

**Failure to comply with these instructions may result in product damage.**

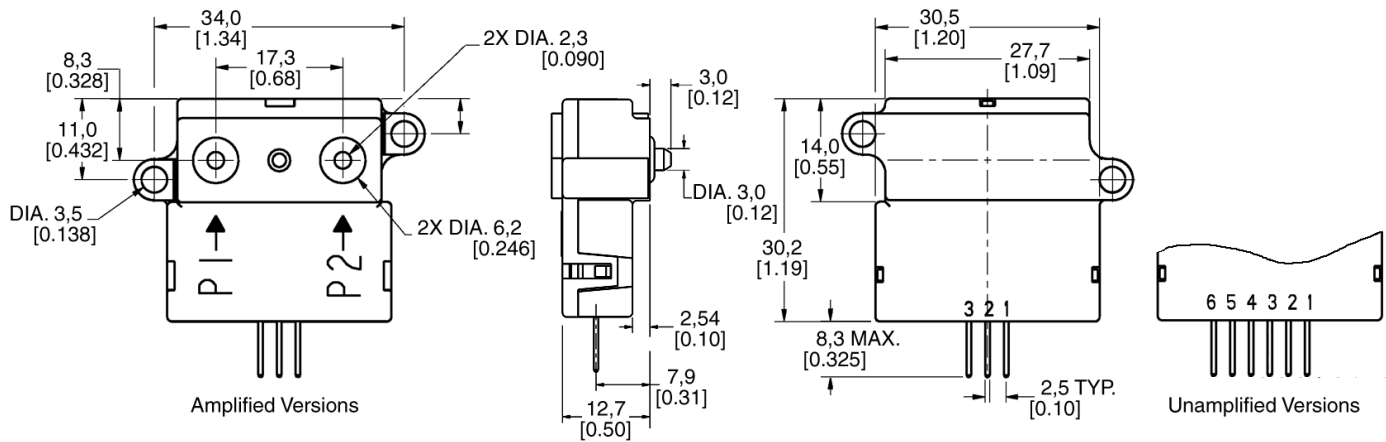
### NOTICE

Positive flow direction is defined as proceeding from Port 1 (P1) to Port 2 (P2) and results in positive output.

### NOTICE

The effects of dust contamination, which may result from some applications, can be minimized. By design, dust particles that may be present in the air stream will flow past the chip parallel to the chip surface. In addition, the microstructure chip produces a thermophoretic effect, which repels micrometer sized dust particles away from the bridge structure. A simple filter will prevent dust adherence to chip edges and channel surfaces. Adequate filtering in most applications can be achieved with a disposable five-micron filter used in series on the upstream side of the airflow device.

**Figure 6. Mounting Dimensions (For reference only, mm/[in])**



#### Pinout for amplified versions

- 1 = Output
- 2 = Supply
- 3 = Ground

#### Pinout for unamplified versions

See Figures 2, 3, and 4

## **⚠️ WARNING** **IMPROPER INSTALLATION**

- Consult with local safety agencies and their requirements when designing a machine-control link, interface and all control elements that affect safety.
- Strictly adhere to all installation instructions.

**Failure to comply with these instructions could result in death or serious injury.**

## **⚠️ WARNING** **MISUSE OF** **DOCUMENTATION**

- The information presented in this product sheet is for reference only. Do not use this document as a product installation guide.
- Complete installation, operation, and maintenance information is provided in the instructions supplied with each product.

**Failure to comply with these instructions could result in death or serious injury.**

### **For more information**

Honeywell Sensing & Safety Technologies services its customers through a worldwide network of sales offices and distributors. For application assistance, current specifications, pricing, or the nearest Authorized Distributor, visit [sps.honeywell.com/ast](https://sps.honeywell.com/ast) or call:

USA/Canada	+302 613 4491
Latin America	+1 305 805 8188
Europe	+44 1344 238258
Japan	+81 (0) 3-6730-7152
Singapore	+65 6355 2828
Greater China	+86 4006396841

### **Honeywell Sensing & Safety Technologies**

830 East Arapaho Road  
Richardson, TX 75081  
[www.honeywell.com](https://www.honeywell.com)

## **WARRANTY/REMEDY**

Honeywell warrants goods of its manufacture as being free of defective materials and faulty workmanship during the applicable warranty period. Honeywell's standard product warranty applies unless agreed to otherwise by Honeywell in writing; please refer to your order acknowledgment or consult your local sales office for specific warranty details. If warranted goods are returned to Honeywell during the period of coverage, Honeywell will repair or replace, at its option, without charge those items that Honeywell, in its sole discretion, finds defective.

**The foregoing is buyer's sole remedy and is in lieu of all other warranties, expressed or implied, including those of merchantability and fitness for a particular purpose. In no event shall Honeywell be liable for consequential, special, or indirect damages.**

While Honeywell may provide application assistance personally, through our literature and the Honeywell web site, it is buyer's sole responsibility to determine the suitability of the product in the application.

Specifications may change without notice. The information we supply is believed to be accurate and reliable as of this writing. However, Honeywell assumes no responsibility for its use.

## Looking for pricing, stock, or lifecycle information?

Click below to explore more details on WIN SOURCE:

 [View AWM43600V on WIN SOURCE](#)

 [Honeywell Information](#)

## Optimize Your Supply Chain with WIN SOURCE Solutions

-  Global Sourcing Solution
-  Obsolete Management
-  Cost Control Management
-  Shortage Management
-  Alternative Solution
-  Excess Inventory Management