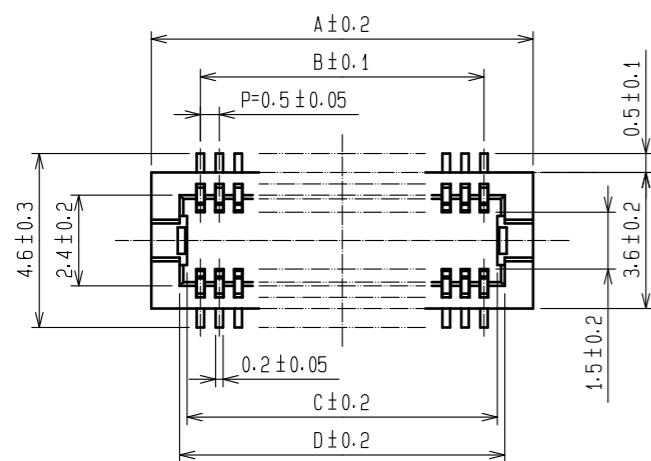




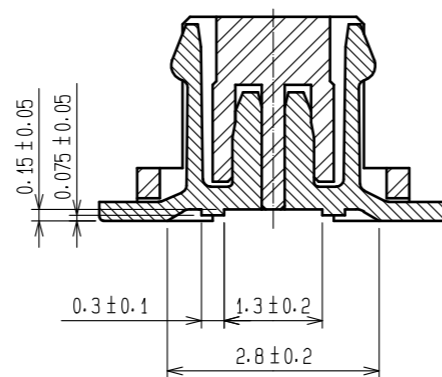
**THE DATASHEET OF  
DF12C-20DS-0.5V(81)**



Sep.1.2019 Copyright 2019 HIROSE ELECTRIC CO., LTD. All Rights Reserved.  
In case of consideration for using Automotive equipment / device which demand high reliability, kindly contact our sales window correspondents.



F-F (10:1)



CODE No.	CONTACT	A	B	C	D	E
CL537-0203-5-81	20	7.1	4.5	5.2	5.6	5.3
CL537-0205-0-81	30	9.6	7.0	7.7	8.1	7.8
CL537-0212-6-81	32	10.1	7.5	8.2	8.6	8.3
CL537-0206-3-81	36	11.1	8.5	9.2	9.6	9.3
CL537-0207-6-81	40	12.1	9.5	10.2	10.6	10.3
CL537-0209-1-81	50	14.6	12.0	12.7	13.1	12.8
CL537-0211-3-81	60	17.1	14.5	15.2	15.6	15.3

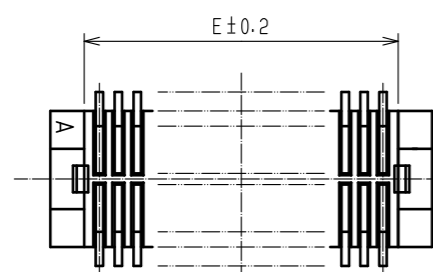
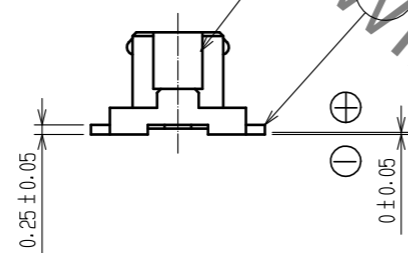
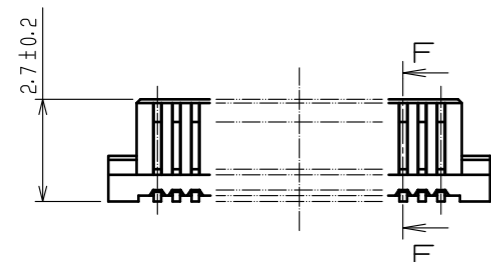
B

C

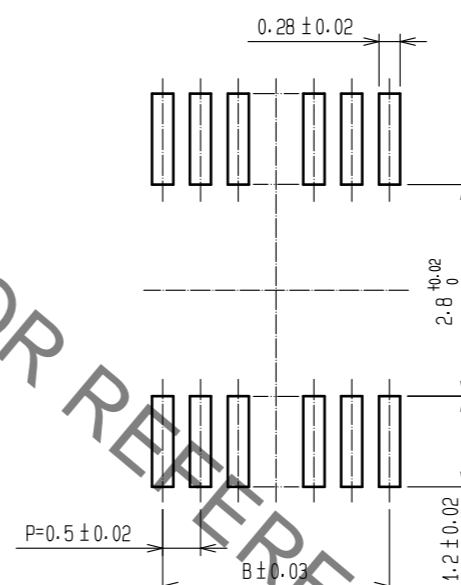
D

E

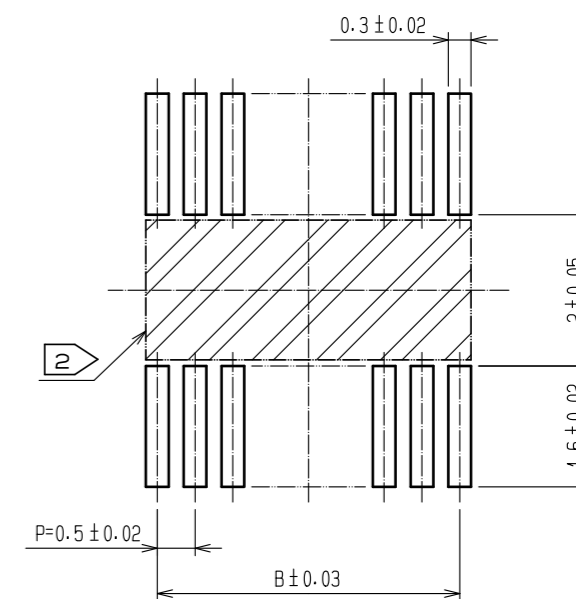
F



RECOMMEND METAL MASK PATTERN (10:1)



RECOMMENDED LAND PATTERN (10:1)



RECOMMENDED THICKNESS OF SOLDER PASTE : 120 μm

NOTES 1 LEAD CO-PLANARITY SHALL BE 0.08 mm MAX.  
2 IF THERE IS PATTERN ON PART, THERE IS A POSSIBILITY THAT IT WILL MAKE CONTACT WITH THE LEADS.

NO.	MATERIAL	FINISH	REMARKS	NO.	MATERIAL	FINISH	REMARKS
2	PHOSPHOR BRONZE		CONTACT AREA:GOLD PLATED 0.2μm min LEAD AREA:GOLD PLATED 0.015μm min OTHERS(UNDER PLATING):NICKEL PLATED 2μm min	6	PS		CLEAR (REINFORCEMENT COLLAR)
				5	PS		BLACK (PLASTIC REEL)
				4	POLYESTER		CLEAR (COVER TAPE)
1	POLYAMIDE		UL94V-0, NATURAL (BEIGE)	3	PS		CLEAR (EMBOSSED CARRIER TAPE)

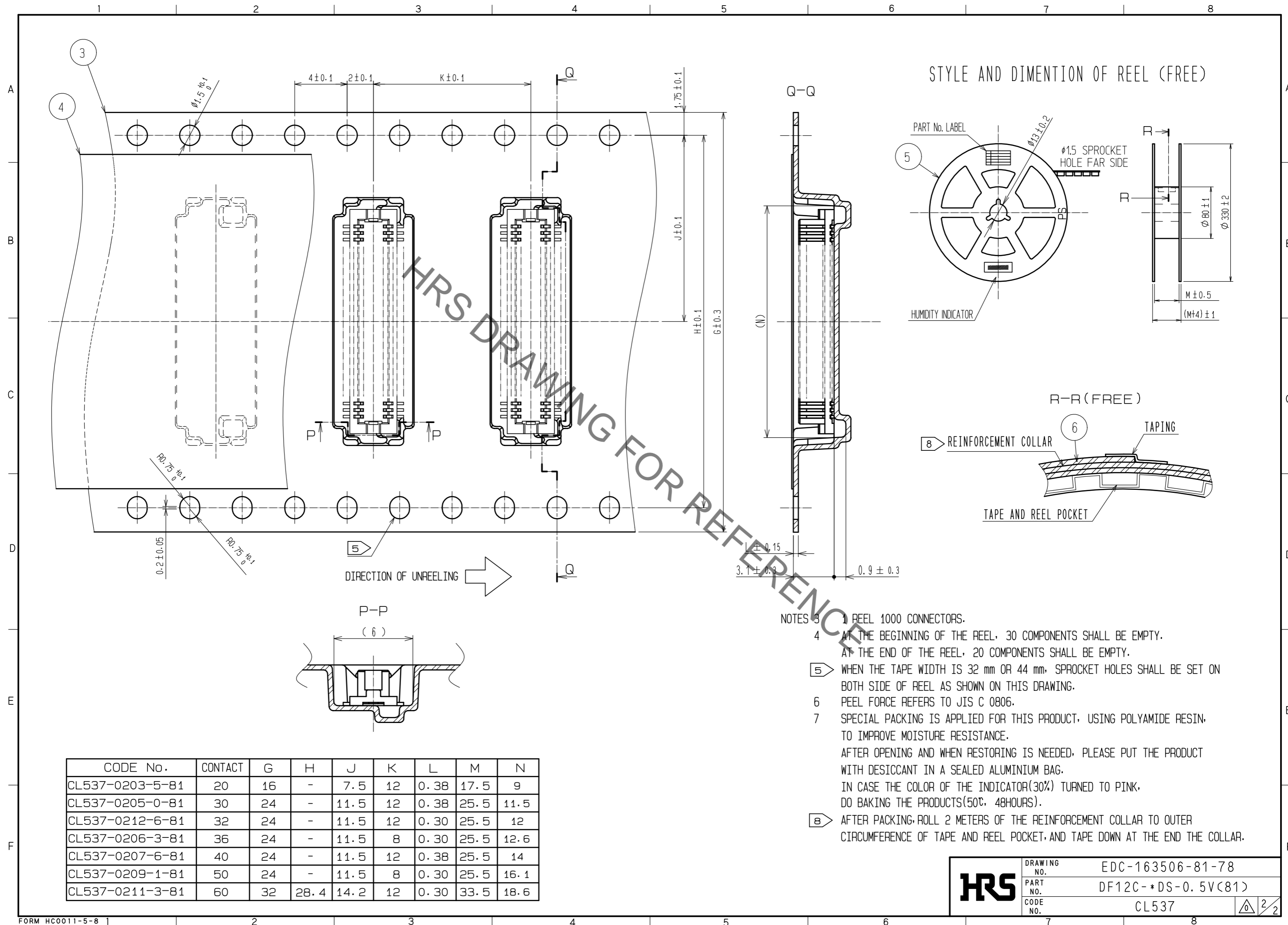
  

UNITS	SCALE	COUNT	DESCRIPTION OF REVISIONS	DESIGNED	CHECKED	DATE
mm	5:1	△				

<b>HRS</b> HIROSE ELECTRIC CO., LTD.	APPROVED : WR. FUKUCHI	20190409	DRAWING NO.	EDC-163506-81-78
	CHECKED : WR. FUKUCHI	20190409	PART NO.	DF12C-*DS-0.5V(81)
	DESIGNED : KT. KUSAKA	20190409	CODE NO.	CL537
	DRAWN : RN. IIDA	20190409		

Sep.1.2019 Copyright 2019 HIROSE ELECTRIC CO., LTD. All Rights Reserved.  
In case of consideration for using Automotive equipment / device which demand high reliability, kindly contact our sales window correspondents.



CODE No.	CONTACT	G	H	J	K	L	M	N
CL537-0203-5-81	20	16	-	7.5	12	0.38	17.5	9
CL537-0205-0-81	30	24	-	11.5	12	0.38	25.5	11.5
CL537-0212-6-81	32	24	-	11.5	12	0.30	25.5	12
CL537-0206-3-81	36	24	-	11.5	8	0.30	25.5	12.6
CL537-0207-6-81	40	24	-	11.5	12	0.38	25.5	14
CL537-0209-1-81	50	24	-	11.5	8	0.30	25.5	16.1
CL537-0211-3-81	60	32	28.4	14.2	12	0.30	33.5	18.6

<b>HRS</b>	DRAWING NO.	EDC-163506-81-78
	PART NO.	DF12C-*DS-0.5V(81)
	CODE NO.	CL537

2/2

## Looking for pricing, stock, or lifecycle information?

Click below to explore more details on WIN SOURCE:

- ⊖ [View DF12C-20DS-0.5V\(81\) on WIN SOURCE](#)
- ⊖ [Hirose Electric Co Ltd Information](#)

## Optimize Your Supply Chain with WIN SOURCE Solutions

- ✓ Global Sourcing Solution
- ✓ Obsolete Management
- ✓ Cost Control Management
- ✓ Shortage Management
- ✓ Alternative Solution
- ✓ Excess Inventory Management