

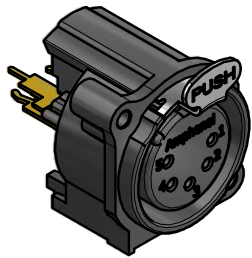


**THE DATASHEET OF
AC5FAV-AU-B**

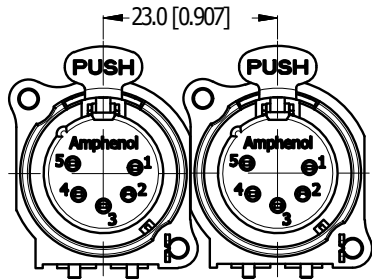
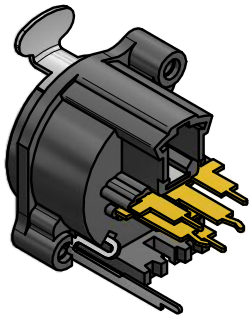


LEGEND = KEY PRODUCT CHARACTERISTICS

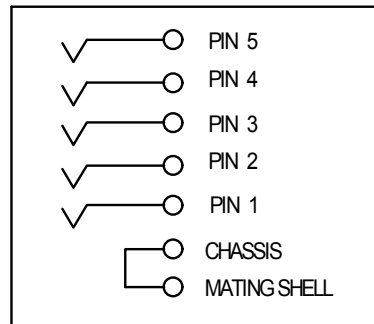
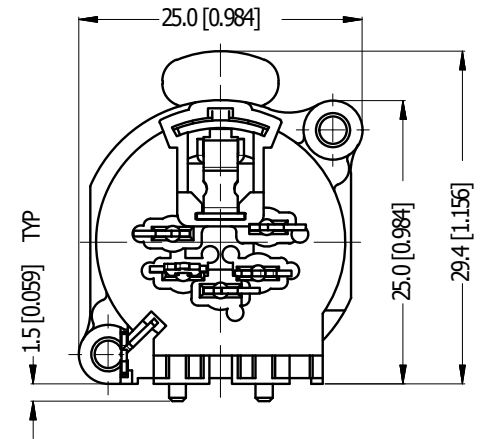
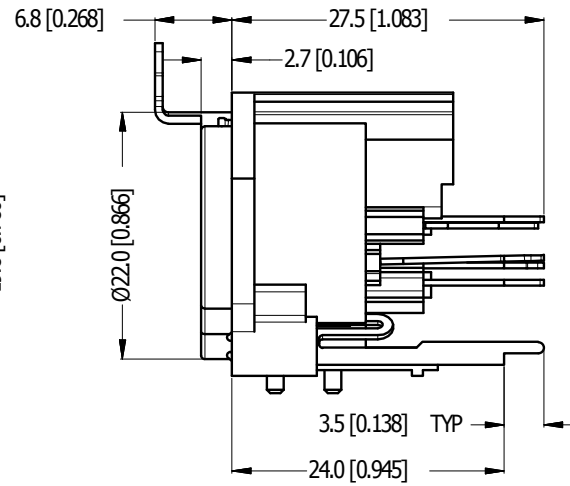
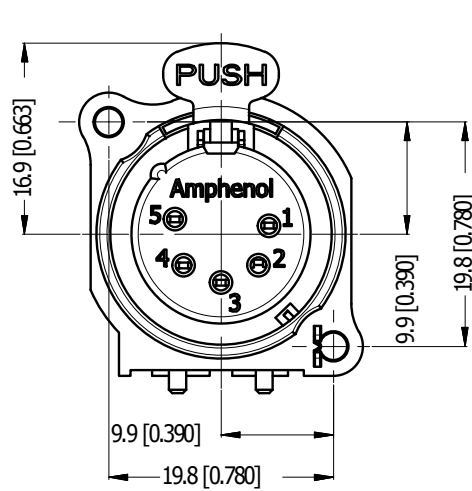
REV	DESCRIPTION	DATE	BY	ECN
0	FIRST ISSUE	20-08-08	MH	---
1	ADD -B TO PN	26-08-15	MH	---
2	CHANGE MATERIAL FROM PA66 UL94HB TO UL94V-0	01-04-20	MH	9593



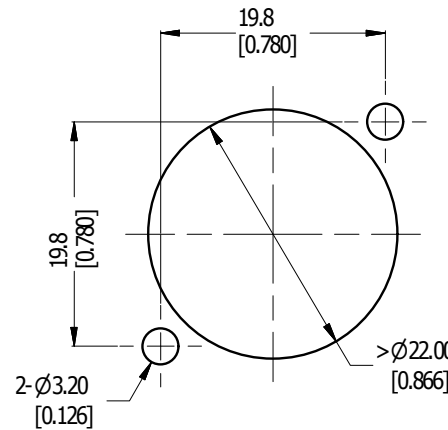
3D VIEW (1:1)



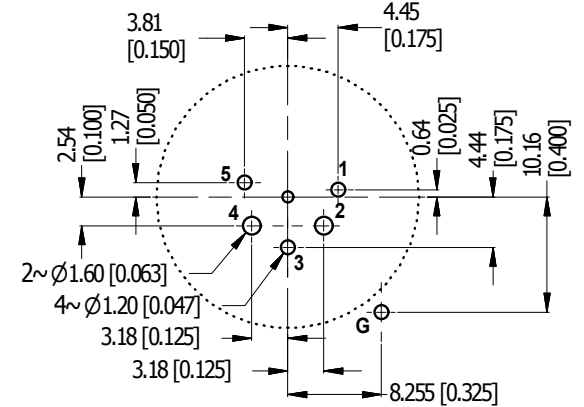
MIN MOUNTING PITCH (SCALE 1:1)



SCHMATIC CHART



PANEL CUT OUT REAR VIEW



PCB LAYOUT COMPONENT SIDE TOLERANCE: ± 0.05mm [0.002"]

UNLESS OTHERWISE SPECIFIED TOLERANCE TO BE	
LINEAR	ANGULAR
X ± 0.5	X° ± 1
XX ± 0.2	XX° ± 30'
XXX ± 0.1	XXX° ± 15'

BREAK ALL SHARP EDGES AND REMOVE ALL BURRS

DO NOT SCALE

DIMENSIONS IN MILLIMETRES

THIS DOCUMENT IS THE PROPERTY OF AMPHENOL AUSTRALIA PTY. LTD. NO PART THEREOF MAY BE REPRODUCED AND USED WITHOUT THE PRIOR WRITTEN CONSENT OF THE OWNER

MATERIAL: SEE COMPONENT

FINISH: SEE COMPONENT

THIRD ANGLE PROJECTION

DRN: M.H DATE: 20-08-08

CKD: M.H DATE: 01-04-20

APP'D: P.M DATE: 01-04-20

SCALE: 3:2 SIZE: A4

Amphenol Amphenol Australia Pty.Ltd, 22 Industry Blvd, Carrum Downs, VIC 3201

TITLE: **AC5FAV-AU-B VERTICAL FEMALE CUSTOMER DRAWING**

PART No. **AC5FAV-AU-B**
DRAWING No. **55010447-000-2**

CAD FILE 5501447000112

SHEET **2 / 2**

Looking for pricing, stock, or lifecycle information?

Click below to explore more details on WIN SOURCE:

 [View AC5FAV-AU-B on WIN SOURCE](#)

 [Amphenol Information](#)

Optimize Your Supply Chain with WIN SOURCE Solutions

-  Global Sourcing Solution
-  Obsolete Management
-  Cost Control Management
-  Shortage Management
-  Alternative Solution
-  Excess Inventory Management