



**THE DATASHEET OF
MS3476L22-55P**



Amphenol



Amphenol

MIL-DTL-26482
SERIES 2 CONNECTORS
ACSE206-05-14
(QPL APPROVED)



Introduction

This catalog covers the Amphenol MIL-DTL-26482, Series 2 Connectors. These connectors are bayonet coupling type, and they feature crimp contacts that are rear insertable and rear releasable. They can be ordered through Amphenol, by military or equivalent proprietary part numbers.

The connectors covered in this catalog broaden the miniature cylindrical family offered by Amphenol, so that now users have the broadest range of product available to them.

Should more information be required concerning the connectors covered in this publication, or if special application needs arise, please contact factory :

	Page
Introduction	1
General description, features & benefits	2
Class descriptions, performance specifications	3
QPL Certificate	4
Insert Arrangement Chart Insert Alternate Positions	5
Insert Arrangement Patterns	6-8
Shell Styles, Dimensional Data :	
Wall Mounting Receptacle, Narrow Flange	9
Wall Mounting Receptacle Wide Flange	10
Cable Connecting Receptacle	11
Jam Nut Receptacle	12
Straight Plug, Straight Plug With RFI Grounding Fingers	13
Protective Caps	14-15
Dummy Storage Receptacle	16
Backshells	17-25
Contact Information, Sealing Plugs, Crimping & Insertion/Removal Tools	26
Ordering Information	27

Amphenol Miniature Cylindrical MIL-DTL-26482, Series 2 Connectors



MS 3470
IMB1-0
wall mounting receptacle
with narrow flange



MS 3472
IMB1-2
wall mounting receptacle
with wide flange



MS 3471
IMB1-1
cable connecting receptacle



MS 3474
IMB1- 4
jam nut receptacle



MS 3476
IMB1-6
straight plug



MS 3475
IMB1-5
plug with RFI grounding
fingers

Amphenol broadens their Miniature Cylindrical Family of Connectors with the addition of the product line of MIL-DTL-26482, Series 2 connectors.

This series provides a bayonet coupling connector with crimp rear insertable, rear releasable contacts.

DESIGN CHARACTERISTICS

- Medium size, environmentally resistant connector
 - Recommended operating voltage to 1000 VAC (RMS) at sea level
 - Quick positive coupling assured by 3 point bayonet coupling system
 - Visual confirmation of complete coupling
 - Eliminates mismatching by the use of five key/keyway design
 - Insertion and removal of contacts from the rear of the connectors assures no damage to the front that might affect the sealing characteristics
 - Utilizes same standard qualified rear release type plastic tool for contact insertion and removal
 - Contacts are qualified to SAE AS 39029 requirements - BIN coded (three colour bands), and are crimped with standard crimp tools per MIL-C-22520
 - Grommets are constructed of tear-resistant elastomer and experience no degradation when exposed to a broad range of fluids
 - Sealing over a range of wire diameters is assured by a triple webbed grommet at the rear of the connector
 - Closed entry socket side of the insert is designed with a lead-in chamfer and a hard face that will accept a pin contact bent within pre-established limits
 - Elastomer interfacial seal on the pin side has raised barriers around each pin which displace into the socket chamfer when mated, providing a positive moisture seal
- CUSTOMER OPTIONS**
Shell styles within this family include:
- Wall mount with either a narrow or a wide flange, jam nut single hole mount, and cable connecting receptacles, along with standard plugs or plugs with RFI grounding fingers, in shell sizes 8 to 24
 - MS and Proprietary versions available
 - Accommodation of contact sizes 20, 16 and 12
 - 34 insert arrangement patterns available, accommodating from a minimum of 3 to a maximum of 55 circuits
 - Alternate positioning available
 - Various finishes are available (for information on non-cadmium zinc cobalt plating, consult factory)

Amphenol Miniature Cylindrical MIL-DTL- 26482, Series 2 Connectors

class descriptions, performance specifications

CLASS DESCRIPTIONS

Military MIL-DTL-26482, Series 2	Description
Class L	Aluminum shell, electroless nickel finish, fluid resistant
Class E	Inactive, superceded by Class L*
Class R	Inactive, superceded by Class L*
Class A	Aluminum shell, black non-conductive anodized finish, fluid resistant
-	Proprietary class G - Stainless steel shell, passivated, fluid resistant
Class W	Aluminum shell, olive drab cadmium plated, corrosion/fluid resistant

* Ref. MIL-DTL-26482

PERFORMANCE SPECIFICATIONS

SERVICE RATINGS**

Service Rating	Recommended Operating AC Voltage at Sea Level	Test Voltage AC (RMS), 60 cps			
		Sea Level	50,000 ft.	70,000 ft.	110,000 ft.
I	600	1,500	500	375	200
II	1,000	2,300	750	500	200

** Service rating is comparable to MS rating A. Miniature connectors rated Service Rating I will provide a minimum flashover voltage at sea level of 2000 volts AC (RMS). Service rating II is comparable to MS Service Rating D, and will provide a minimum flashover voltage of 2,800 volts AC (RMS) at sea level.

Please note that the electrical data given is not an establishment of electrical safety factors. This is left entirely in the designer's hands, as he can best determine which peak voltage, switching surges, transients, etc. can be expected in a particular circuit.

OPERATING TEMPERATURE RANGE

-55° C to 200° C

ENVIRONMENTAL SEAL

Wired, mated connectors with the specified accessory attached will meet the altitude immersion test specified in MIL-DTL-26482.

DURABILITY

Minimum of 500 mating cycles.

SHOCK AND VIBRATION REQUIREMENTS

When tested as follows, the connector shall sustain no physical damage, or electrical discontinuity exceeding one microsecond.

SHOCK

Pulse of an approximate half sine wave of 300g magnitude with duration of 3 milliseconds applied in 3 axes

VIBRATION

Sixteen hours of random vibration having a range of 50 to 2,000 Hz with a 41.7G peak level



DEFENSE LOGISTICS AGENCY
LAND AND MARITIME
P.O. BOX 3000
COLUMBUS, OHIO 43218-3000

May 7, 2011

Amphenol Interconnect India Pvt. Ltd.
105, B Keshu Indus Ltd. Road,
PUNE 411026, INDIA

Re: Notification of Qualification WIL-711-26482; TSC: 5915; Letter Number WQD 11-027982; Control Number 342698

This office has received your qualification report (Task Report No. 26482-342698-07) for M29482, Series F, A, for use. It is noted that it does not meet the requirements of WIL-711-26482. The next revision of QPL 25152 will reflect the following address:

<p>Supplier: Amphenol Interconnect India Pvt. Ltd. Government Designation: MS3470 Manufacturer Designation: IMB1-0 () Class: A, L, W Control Style: P, S Shell: 8 Insert: 31, 98 Shell: 10 Insert: 0 Shell: 12 Insert: 3, 10 Shell: 14 Insert: 5, 12, 15, 19 Shell: 16 Insert: 8, 26 Shell: 18 Insert: 32 Shell: 20 Insert: 41 Shell: 22 Insert: 55 Shell: 24 Insert: 31, 61 Test or Qualification Reference: 26482-342698</p>	<p>Supplier: Amphenol Interconnect India Pvt. Ltd. Government Designation: MS3471 Manufacturer Designation: DCD1 () Class: A, L, W Control Style: P, S Shell: 8 Insert: 35, 98 Shell: 10 Insert: 5 Shell: 12 Insert: 3, 10 Shell: 14 Insert: 5, 12, 15, 19 Shell: 16 Insert: 8, 26 Shell: 18 Insert: 32 Shell: 20 Insert: 41 Shell: 22 Insert: 55 Shell: 24 Insert: 31, 61 Test or Qualification Reference: 26482-342698</p>
--	--

<p>Supplier: Amphenol Interconnect India Pvt. Ltd. Government Designation: MS3473 Manufacturer Designation: IMB1-0 () Class: A, L, W Control Style: P, S Shell: 8 Insert: 31, 98 Shell: 10 Insert: 6 Shell: 12 Insert: 3, 10 Shell: 14 Insert: 5, 12, 15, 19</p>	<p>Supplier: Amphenol Interconnect India Pvt. Ltd. Government Designation: M80422 Manufacturer Designation: DMB1 () Class: A, L, W Control Style: P, S Shell: 8 Insert: 35, 98 Shell: 10 Insert: 5 Shell: 12 Insert: 3, 10 Shell: 14 Insert: 5, 12, 15, 19</p>
--	--

<p>Shell: 16 Insert: 8, 26 Shell: 18 Insert: 32 Shell: 20 Insert: 41 Shell: 22 Insert: 55 Shell: 24 Insert: 31, 61 Test or Qualification Reference: 26482-342698</p>	<p>Shell: 16 Insert: 8, 26 Shell: 18 Insert: 32 Shell: 20 Insert: 41 Shell: 22 Insert: 55 Shell: 24 Insert: 31, 61 Test or Qualification Reference: 26482-342698</p>
--	--

<p>Supplier: Amphenol Interconnect India Pvt. Ltd. Government Designation: MS3475 Manufacturer Designation: IMB1-0 () Class: L, W Control Style: P, S Shell: 8 Insert: 33, 98 Shell: 10 Insert: 6 Shell: 12 Insert: 3, 10 Shell: 14 Insert: 5, 12, 15, 19 Shell: 16 Insert: 8, 26 Shell: 18 Insert: 32 Shell: 20 Insert: 41 Shell: 22 Insert: 55 Shell: 24 Insert: 31, 61 Test or Qualification Reference: 26482-342698</p>	<p>Supplier: Amphenol Interconnect India Pvt. Ltd. Government Designation: MS3476 Manufacturer Designation: IMB1-0 () Class: A, L, W Control Style: P, S Shell: 8 Insert: 35, 98 Shell: 10 Insert: 5 Shell: 12 Insert: 3, 10 Shell: 14 Insert: 5, 12, 15, 19 Shell: 16 Insert: 8, 26 Shell: 18 Insert: 32 Shell: 20 Insert: 41 Shell: 22 Insert: 55 Shell: 24 Insert: 31, 61 Test or Qualification Reference: 26482-342698</p>
---	--

Supplier: Amphenol Interconnect India Pvt. Ltd.
Government Designation: MS3486
Manufacturer Designation: MS3186 ()
Task Number: 102, 106, 109, 113, 115, 117, 120, 131
Class: A, B, W
Material: A
Test or Qualification Reference: 26482-342698

A detailed listing of Ex-Works Specifications (EWS) will be listed on the Qualified Products List (QPL) 26482. This qualification is subject to conditions stated in DCD 1120-24-04 and 525-6. Because we are held responsible for the accuracy and currency of this QPL, please let us know if your company discontinues production of these products. If you have any questions, please contact Mr. Edie Shen by email at es@adl.com.

Sincerely,

EDIE SHEN
Chief
Sourcing and Qualification Division

Miniature Cylindrical MIL-DTL-26482, Series 2

insert arrangements, insert alternate positioning

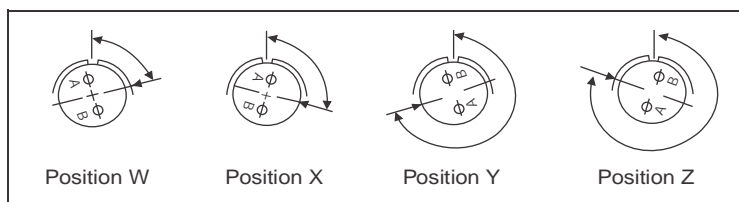
INSERT ARRANGEMENTS

Insert Arrangement	Service Rating	Total Contacts	Contact Size		
			12	16	20
8-33	I	3			3
8-98	I	3			3
10-6	I	6			6
12-3	II	3		3	
12-8	I	8			8
12-10	I	10			10
14-4	I	4	4		
14-5	II	5		5	
14-9	I	9	4		5
14-12	I	12		4	8
14-15	I	15		1	14
14-18	I	18			18
14-19	I	19			19
16-8	II	8		8	
16-23	I	23		1	22
16-26	I	26			26
18-8	I	8	8		
18-11	II	11		11	
18-30	I	30		1	29
18-32	I	32			32
20-16	II	16		16	
20-24	I	24			24
20-39	I	39		2	37
20-41	I	41			41
22-12	I	12	12		
22-19	I	19	19		
22-21	II	21		21	
22-32	I	32			32
22-41	I	41		14	27
22-55	I	55			55
22-95	I	32	6		26
24-19	II	19	19		
24-31	I	31		31	
24-61	I	61			61

INSERT ALTERNATE POSITIONING

To avoid cross-plugging problems in applications requiring the use of more than one connector of the same size and arrangement, alternate rotations are available as indicated in the chart below.

As shown in the diagram, the front face of the pin insert is rotated within the shell in a clockwise direction from the normal shell key. The socket insert would be rotated counter-clockwise the same number of degrees in respect to the normal shell key.



View looking into front face of pin insert or rear of socket insert.

Insert Arrangement	Degrees			
	W	X	Y	Z
8-33	90	-	-	-
8-98	-	-	-	-
10-6	90	-	-	-
12-3	-	-	180	-
12-8	90	112	203	292
12-10	60	155	270	295
14-4	45	-	-	-
14-5	40	92	184	273
14-9	15	90	180	270
14-12	43	90	-	-
14-15	17	110	155	234
14-18	15	90	180	270
14-19	30	165	315	-
16-8	54	152	180	331
16-23	158	270	-	-
16-26	60	-	275	338
18-8	180	-	-	-
18-11	62	119	241	340
18-30	18	193	285	350
18-32	85	138	222	265
20-16	238	318	333	347
20-24	70	145	215	290
20-39	63	144	252	333
20-41	45	126	225	-
22-12	-	-	-	-
22-19	15	90	225	308
22-21	16	135	175	349
22-32	72	145	215	288
22-41	39	135	264	-
22-55	30	142	226	314
22-95	26	180	266	-
24-19	30	165	315	-
24-31	90	225	255	-
24-61	90	180	270	324

Miniature Cylindrical MIL-DTL-26482, Series 2

Contact Legend			
Symbol			
Contact size	20	16	12

insert arrangements


front face of pin insert or rear face of socket insert illustrated

Insert Arrangement	8-33	8-98	10-06	12-03	*12-08	12-10
Service Rating	I	I	I	II	I	I
Number of Contacts	3	3	6	3	8	10
Contact Size	20	20	20	16	20	20
Insert Arrangement	*14-04	14-05	*14-09	14-12	14-15	14-15
Service Rating	I	II	I	I	I	I
Number of Contacts	4	5	5 4	8 4	14 1	14 1
Contact Size	12	16	20 12	20 16	20 16	20 16
Insert Arrangement	*14-18	14-19	*16-08	*16-23	16-26	
Service Rating	I	I	II	I	I	
Number of Contacts	18	19	8	22 1	26	
Contact Size	20	20	16	20 16	20	

*Available on request. Please contact factory.

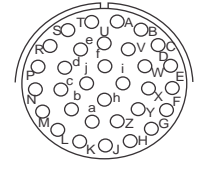
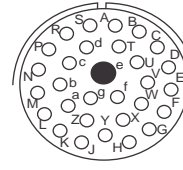
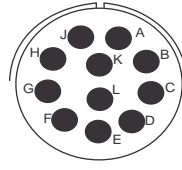
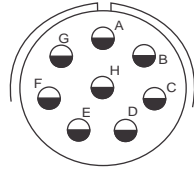
Miniature Cylindrical MIL-DTL-26482, Series 2

Contact Legend

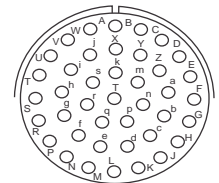
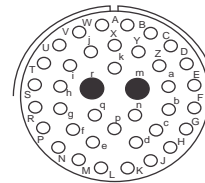
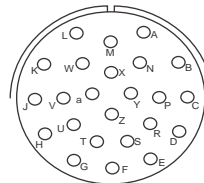
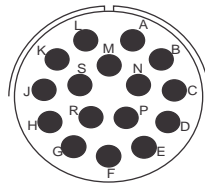
Symbol			
Contact size	20	16	12

insert arrangements

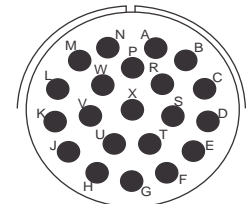
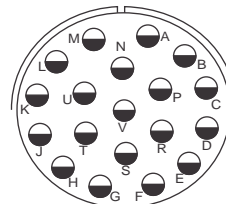
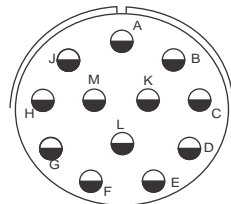
front face of pin insert or rear face of socket insert illustrated



Insert Arrangement	*18-08	*18-11	18-30	18-32
Service Rating	I	II	I	I
Number of Contacts	8	11	29 1	32
Contact Size	12	16	20 16	20



Insert Arrangement	*20-16	*20-24	*20-39	20-41
Service Rating	II	I	I	I
Number of Contacts	16	24	37 2	41
Contact Size	16	20	20 16	20



Insert Arrangement	*22-12	*22-19	*22-21
Service Rating	I	I	II
Number of Contacts	12	19	21
Contact Size	12	12	16

*Available on request. Please contact factory.

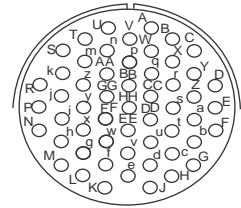
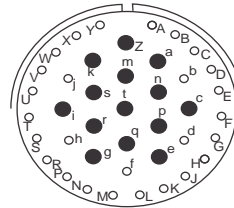
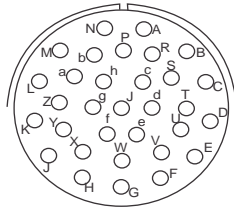
Miniature Cylindrical MIL-DTL-26482, Series 2

Contact Legend

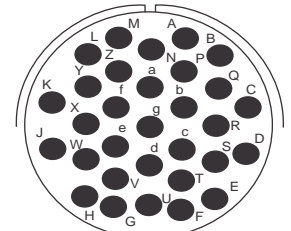
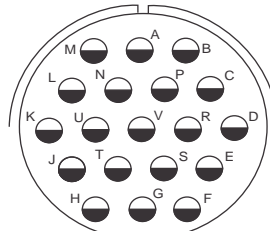
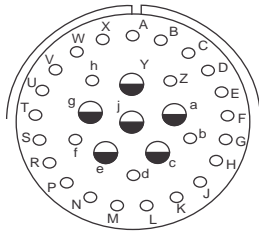
Symbol	○	●	◐
Contact size	20	16	12

insert arrangements

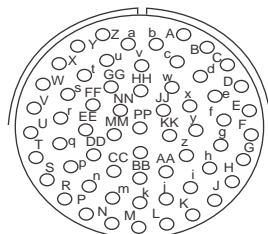
front face of pin insert or rear face of socket insert illustrated



Insert Arrangement	*22-32	*22-41	22-55
Service Rating	I	I	I
Number of Contacts	32	27 14	55
Contact Size	20	20 16	20



Insert Arrangement	*22-95	*24-19	24-31
Service Rating	I	II	I
Number of Contacts	26 6	19	31
Contact Size	20 12	12	16



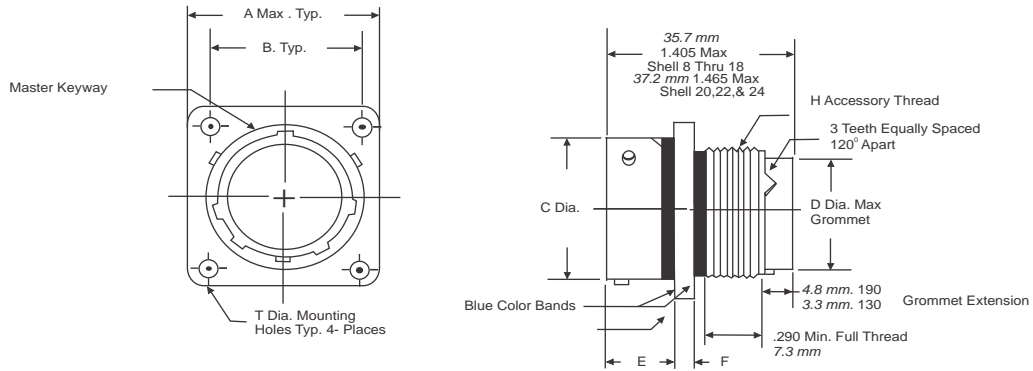
Insert Arrangement	24-61
Service Rating	I
Number of Contacts	61
Contact Size	20

*Available on request. Please contact factory.

Miniature Cylindrical MIL-C-26482, Series 2 IMB1- 0

Receptacle Shell, Wall Mount with Narrow Flange,
Bayonet Coupling

Military No. MS3470



To complete order number see ordering information, page 14.
Inches

Shell Size	A Max.	B ±.005	C Dia. ±.003	D Dia. Max.	E	F ±.016	H Accessory Thread Class 2A	T ±.005
8	.828	.594	.471	.305	.462/.431	.062	.5000-20 UNF	.120
10	.954	.719	.588	.405	.462/.431	.062	.6250-24 UNEF	.120
12	1.047	.812	.748	.531	.462/.431	.062	.7500-20 UNEF	.120
14	1.141	.906	.873	.665	.462/.431	.062	.8750-20 UNEF	.120
16	1.234	.969	.998	.790	.462/.431	.062	1.0000-20 UNEF	.120
18	1.328	1.062	1.123	.869	.462/.431	.062	1.0625-18 UNEF	.120
20	1.453	1.156	1.248	.994	.587/.556	0.94	1.1875-18 UNEF	.120
22	1.578	1.250	1.373	1.119	.587/.556	0.94	1.3125-18 UNEF	.120
24	1.703	1.375	1.498	1.244	.620/.589	0.94	1.4375-18 UNEF	.147

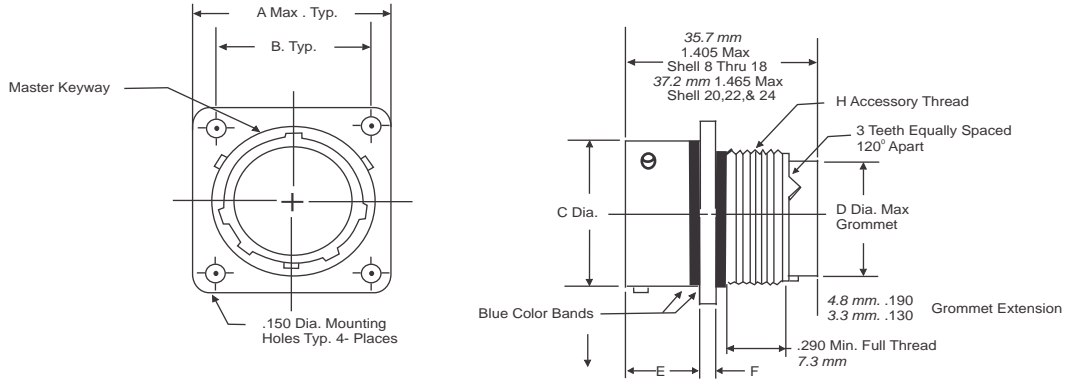
Millimeters

Shell Size	A Max.	B ±.005	C Dia. ±.003	D Dia. Max.	E	F ±.016	H Accessory Thread Class 2A	T ±.005
8	21.0	15.0	12.0	07.7	11.7/10.9	1.6	.5000-20 UNF	3.0
10	24.2	18.3	15.0	10.3	11.7/10.9	1.6	.6250-24 UNEF	3.0
12	26.6	20.6	19.0	13.5	11.7/10.9	1.6	.7500-20 UNEF	3.0
14	29.0	23.0	22.1	16.9	11.7/10.9	1.6	.8750-20 UNEF	3.0
16	31.3	24.6	25.3	20.1	11.7/10.9	1.6	1.0000-20 UNEF	3.0
18	33.7	27.0	28.5	22.1	11.7/10.9	1.6	1.0625-18 UNEF	3.0
20	37.0	29.4	31.5	25.2	14.9/14.1	2.4	1.1875-18 UNEF	3.0
22	40.0	31.7	34.9	28.4	14.9/14.1	2.4	1.3125-18 UNEF	3.0
24	43.2	35.0	38.0	31.6	15.7/14.9	2.4	1.4375-18 UNEF	3.7

Miniature Cylindrical MIL-DTL-26482, Series 2 IMB1-2

Receptacle Shell, Wall Mount with Wide Flange,
Bayonet Coupling

Military No. MS3472



To complete order number see ordering information, page 14.

Shell Size	A Max.	B ±.005	C Dia. ±.003	D Dia. Max.	E	F ±.016	H Thread Class 2A
8	1.065	.734	.471	.305	.493/.462	.062	.5000-20 UNF
10	1.141	.812	.588	.405	.493/.462	.062	.6250-24 UNEF
12	1.266	.938	.748	.531	.493/.462	.062	.7500-20 UNEF
14	1.360	1.031	.873	.665	.493/.462	.062	.8750-20 UNEF
16	1.453	1.125	.998	.790	.493/.462	.062	1.0000-20 UNEF
18	1.532	1.203	1.123	.869	.493/.462	.062	1.0625-18 UNEF
20	1.688	1.297	1.248	.994	.587/.556	0.94	1.1875-18 UNEF
22	1.766	1.375	1.373	1.119	.587/.556	0.94	1.3125-18 UNEF
24	1.891	1.500	1.498	1.244	.620/.589	0.94	1.4375-18 UNEF

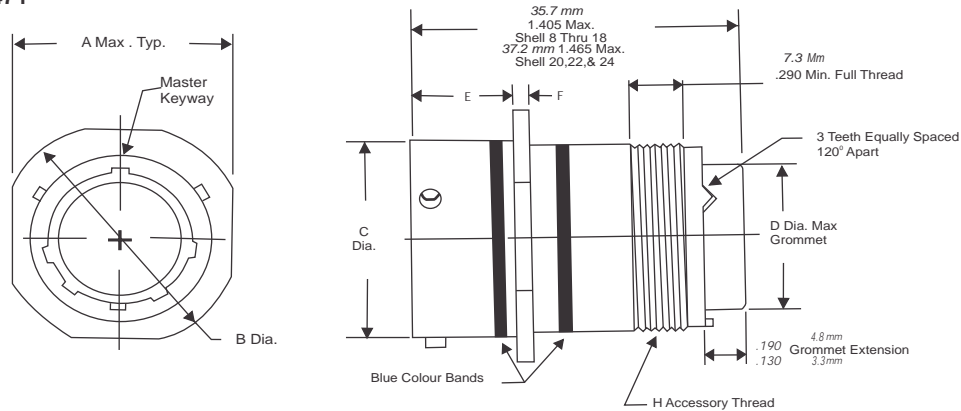
Millimeters

Shell Size	A Max.	B ±.005	C Dia. ±.003	D Dia. Max.	E	F ±.016	H Thread Class 2A
8	27.1	18.6	11.9	7.7	11.7/10.9	1.5	.50000-20 UNF
10	29.0	20.6	14.9	10.3	11.7/10.9	1.5	.6250-24 UNEF
12	32.1	23.8	19.0	13.5	11.7/10.9	1.5	.7500-20 UNEF
14	34.5	26.1	22.1	16.9	11.7/10.9	1.5	.8750-20 UNEF
16	36.9	28.6	25.3	20.0	11.7/10.9	1.5	1.0000-20 UNEF
18	38.9	30.5	28.5	22.0	11.7/10.9	1.5	1.0625-18 UNEF
20	42.9	32.9	31.7	25.3	14.9/14.1	2.3	1.1875-18 UNEF
22	44.8	34.9	34.8	28.4	14.9/14.1	2.3	1.3125-18 UNEF
24	48.0	38.1	38.0	31.6	15.7/14.9	2.3	1.4375-18 UNEF

Miniature Cylindrical MIL-DTL-26482, Series 2 IMB1-1

Receptacle Shell, Cable Connecting,
Bayonet Coupling

Military No. MS3471



To complete order number see ordering information, page 14.

Shell Size	A Max.	B Dia. ±.020	C Dia. ±.003	D Dia. Max.	E	F ±.016	H Thread Class 2A
8	.828	.938	.471	.305	.462/.431	.062	.5000-20 UNF
10	.954	1.062	.588	.405	.462/.431	.062	.6250-24 UNEF
12	1.047	1.156	.748	.531	.462/.431	.062	.7500-20 UNEF
14	1.141	1.250	.873	.665	.462/.431	.062	.8750-20 UNEF
16	1.234	1.344	.998	.790	.462/.431	.062	1.0000-20 UNEF
18	1.328	1.438	1.123	.869	.462/.431	.062	1.0625-18 UNEF
20	1.453	1.562	1.248	.994	.587/.556	0.94	1.1875-18 UNEF
22	1.578	1.688	1.373	1.119	.587/.556	0.94	1.3125-18 UNEF
24	1.703	1.812	1.498	1.244	.620/.589	0.94	1.4375-18 UNEF

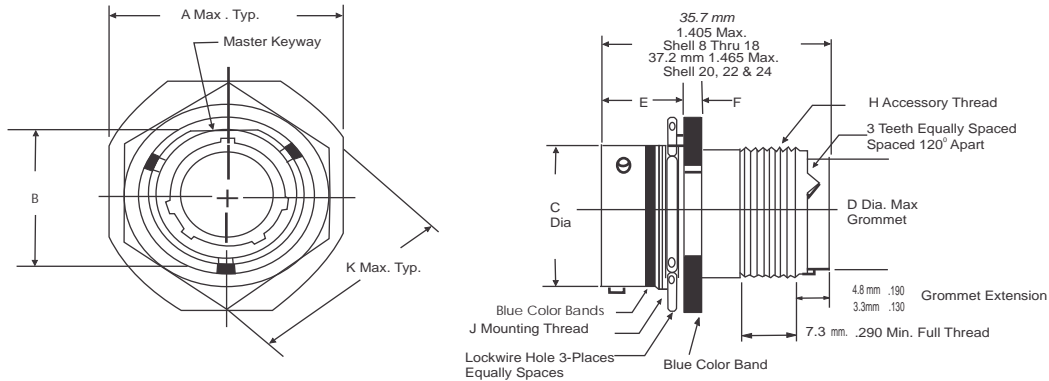
Millimeters.

Shell Size	A Max.	B Dia. ±.020	C Dia. ±.003	D Dia. Max.	E	F ±.016	H Thread Class 2A
8	21.0	23.8	12.0	7.7	11.7/10.91	1.6	.5000-20 UNF
10	24.2	27.0	14.9	10.2	11.7/10.9	1.6	.6250-24 UNEF
12	26.6	29.3	18.8	13.5	11.7/10.9	1.6	.7500-20 UNEF
14	29.0	31.7	22.1	16.9	11.7/10.9	1.6	.8750-20 UNEF
16	31.3	34.1	25.3	20.0	11.7/10.91	1.6	1.0000-20 UNEF
18	33.7	36.5	28.5	22.1	11.7/10.9	1.6	1.0625-18 UNEF
20	36.9	39.7	31.7	25.2	14.9/14.1	2.4	1.1875-18 UNEF
22	40.0	42.9	34.9	28.42	14.9/14.1	2.4	1.3125-18 UNEF
24	43.2	46.0	38.0	31.6	15.7/14.9	2.4	1.4375-18 UNEF

Miniature Cylindrical MIL-DTL-26482, Series 2 IMB1- 4

Receptacle Shell, Jam Nut Mount,
Bayonet Coupling

Military No. MS3474



To complete order number see ordering information, page 14.

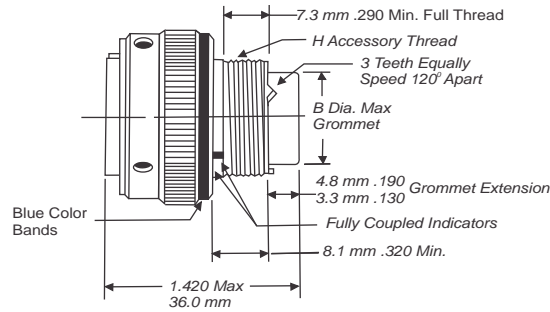
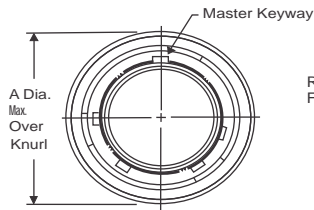
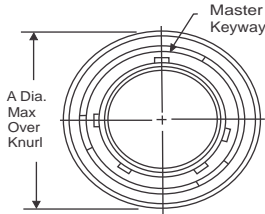
Shell Size	A Max.	B ±.005	C Dia. ±.003	D Dia. Max.	E	F	H Accessory Thread Class 2A	J Mounting Thread Class 2A	K Max.
8	.954	.525	.471	.305	.707/.658	.113/.086	.5000-20 UNF	.5625-24 UNEF	.767
10	1.078	.650	.588	.405	.707/.658	.113/.086	.6250-24 UNEF	.6875-24 UNEF	.892
12	1.266	.813	.748	.531	.707/.658	.113/.086	.7500-20 UNEF	.8750-20 UNEF	1.079
14	1.391	.937	.873	.665	.707/.658	.113/.086	.8750-20 UNEF	1.0000-20 UNEF	1.205
16	1.516	1.061	.998	.790	.707/.658	.113/.086	1.0000-20 UNEF	1.1250-18 UNEF	1.329
18	1.641	1.186	1.123	.869	.707/.658	.113/.086	1.0625-18 UNEF	1.2500-18 UNEF	1.455
20	1.828	1.311	1.248	.994	.772/.721	.148/.096	1.1875-18 UNEF	1.3750-18 UNEF	1.579
22	1.954	1.436	1.373	1.119	.772/.721	.148/.096	1.3125-18 UNEF	1.5000-18 UNEF	1.705
24	2.078	1.561	1.498	1.244	.772/.721	.148/.096	1.4375-18 UNEF	1.6250-18 UNEF	1.829

Millimeters

Shell Size	A Max.	B ±.005	C Dia. ±.003	D Dia. Max.	E	F	H Accessory Thread Class 2A	J Mounting Thread Class 2A	K Max.
8	24.2	13.3	12.0	7.7	17.9/17.7	2.8/2.1	.5000-20 UNF	.5625-24 UNEF	19.5
10	27.4	16.5	15.0	10.3	17.9/17.7	2.8/2.1	.6250-24 UNEF	.6875-24 UNEF	22.6
12	32.1	20.6	19.0	13.4	17.9/17.7	2.8/2.1	.7500-20 UNEF	.8750-20 UNEF	27.4
14	35.3	23.8	22.2	16.9	17.9/17.7	2.8/2.1	.8750-20 UNEF	1.0000-20 UNEF	30.6
16	38.5	27.0	25.3	20.0	17.9/17.7	2.8/2.1	1.0000-20 UNEF	1.1250-18 UNEF	33.7
18	41.7	30.1	28.5	22.1	17.9/17.7	2.8/2.1	1.0625-18 UNEF	1.2500-18 UNEF	37.0
20	46.4	33.3	31.7	25.2	19.6/18.3	3.7/2.4	1.1875-18 UNEF	1.3750-18 UNEF	40.1
22	49.6	36.5	34.9	28.4	19.6/18.3	3.7/2.4	1.3125-18 UNEF	1.5000-18 UNEF	43.3
24	52.7	39.6	38.0	31.6	19.6/18.3	3.7/2.4	1.4375-18 UNEF	1.6250-18 UNEF	46.4

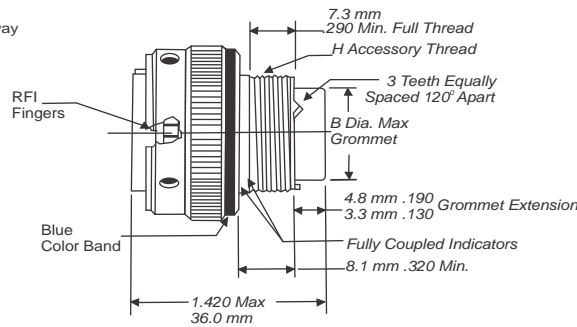
Miniature Cylindrical MIL-DTL-26482, Series 2 IMB1-6 straight plug

IMB1-5 straight plug with RFI grounding fingers



Plug Shell,
Bayonet Coupling

Military No. MS3476



Plug Shell, RFI Grounding,
Bayonet Coupling

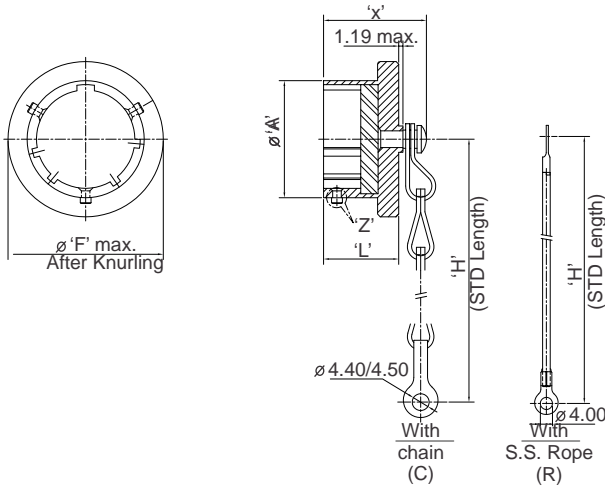
Military No. MS3475

To complete order number see ordering information, page 14.

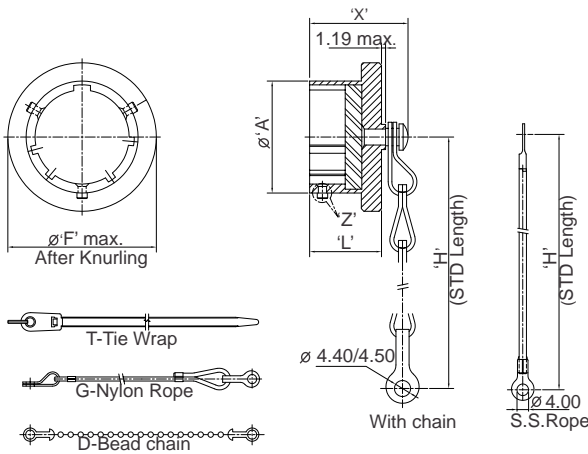
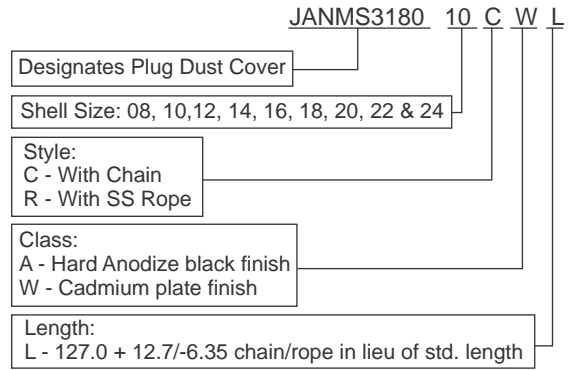
Shell Size	A Dia. Max.	B Dia. Max.	H Accessory Thread Class 2A
8	.782	.305	.5000-20 UNF
10	.926	.405	.6250-24 UNEF
12	1.043	.531	.7500-20 UNEF
14	1.183	.665	.8750-20 UNEF
16	1.305	.790	1.0000-20 UNEF
18	1.391	.869	1.0625-18 UNEF
20	1.531	.994	1.1875-18 UNEF
22	1.656	1.119	1.3125-18 UNEF
24	1.777	1.244	1.4375-18 UNEF

Millimeters

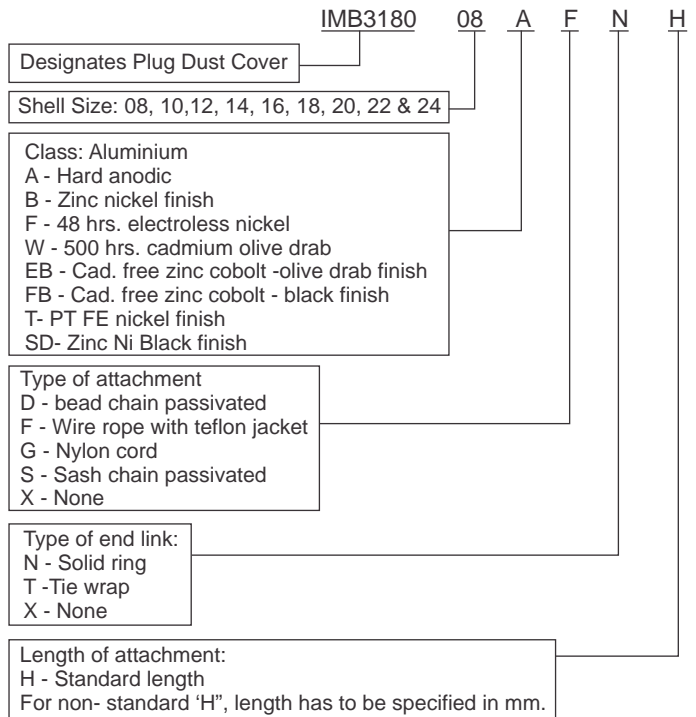
Shell Size	A Dia. Max.	B Dia. Max.	H Accessory Thread Class 2A
8	19.8	3.1	.5000-20 UNF
10	23.5	10.2	.6250-24 UNEF
12	26.5	13.5	.7500-20 UNEF
14	30.0	16.9	.8750-20 UNEF
16	33.1	20.0	1.0000-20 UNEF
18	35.3	22.0	1.0625-18 UNEF
20	38.9	25.2	1.1875-18 UNEF
22	42.0	28.4	1.3125-18 UNEF
24	45.1	31.6	1.4375-18 UNEF



Ordering Information (MIL Part Number)



Ordering Information (Proprietary Part Number)

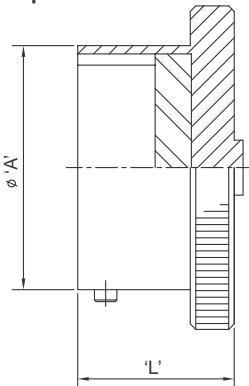


All Dimensions are in mm

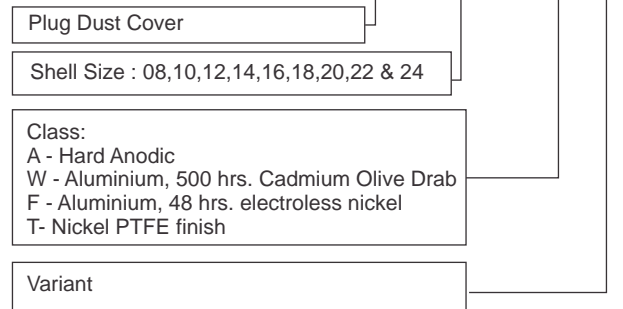
Shell Size	ϕA Ref.	ϕF Max. Overall.	H +12.70/-6.35	L Max. Length	X Max. Overall	ϕF +0.00/-0.08 For Heavy Duty
08	12.01	18.26	76.20	14.27	19.84	22.10
10	14.99	21.44				24.86
12	19.05	25.40				29.24
14	22.22	28.58				32.41
16	25.40	31.75	88.90	15.88	21.44	35.58
18	28.58	34.92				38.22
20	31.75	38.10				41.94
22	34.92	41.28				45.11
24	38.10	44.45	101.60	16.71	22.22	48.18

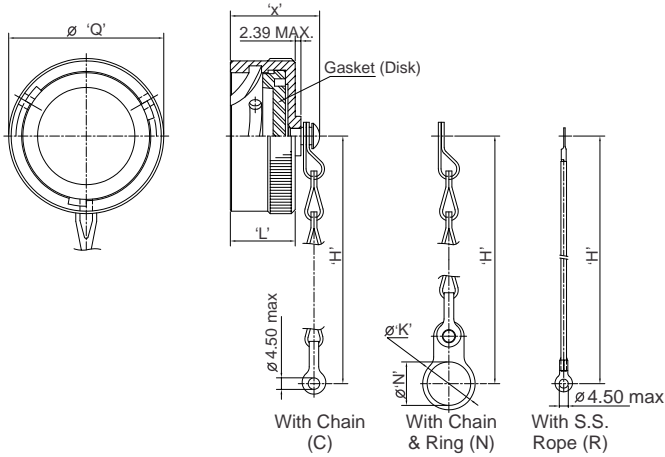
All Dimensions for reference only

Cap without attachment

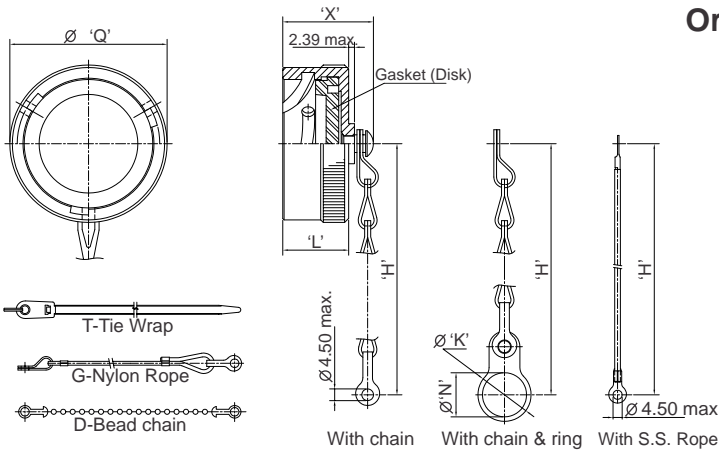
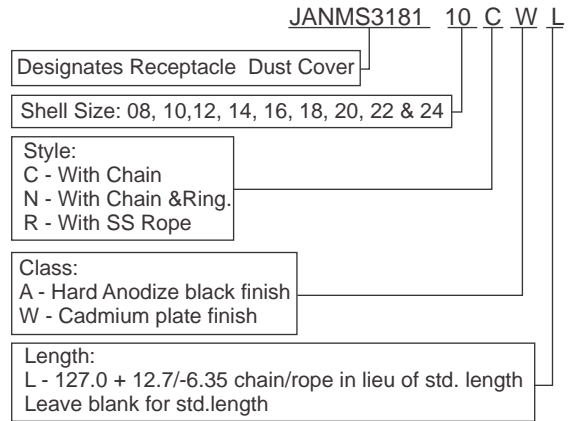


Ordering information IMB3180 -08 - A - V1

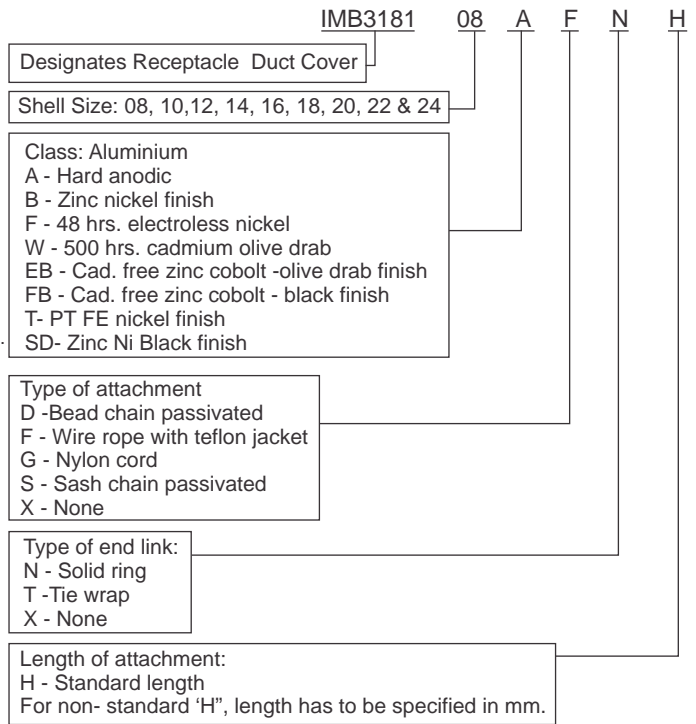




Ordering Information (MIL Part Number)



Ordering Information (Proprietary Part Number)

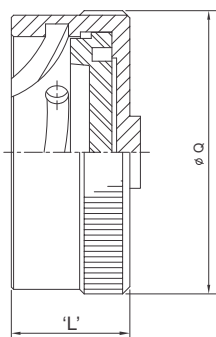


All Dimensions are in mm

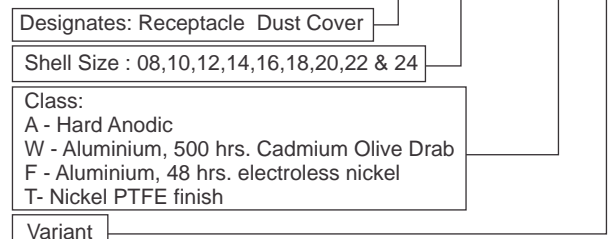
Shell Size	H +12.70/ -6.35	Ø K MAX.	L Max.	Ø N MIN	Ø Q MIN	X Max.
08	20.62	14.68	18.64			
10	76.20	25.40		17.86	21.82	
12		30.18	14.27	22.63	25.40	21.44
14		36.67		25.81	28.58	
16	88.90	39.67		28.98	31.75	
18		42.88		32.16	34.92	
20		46.02		35.33	38.10	
22	101.60	49.23		38.51	41.28	
24		52.37	15.29	41.68	44.45	22.22

All Dimensions for reference only

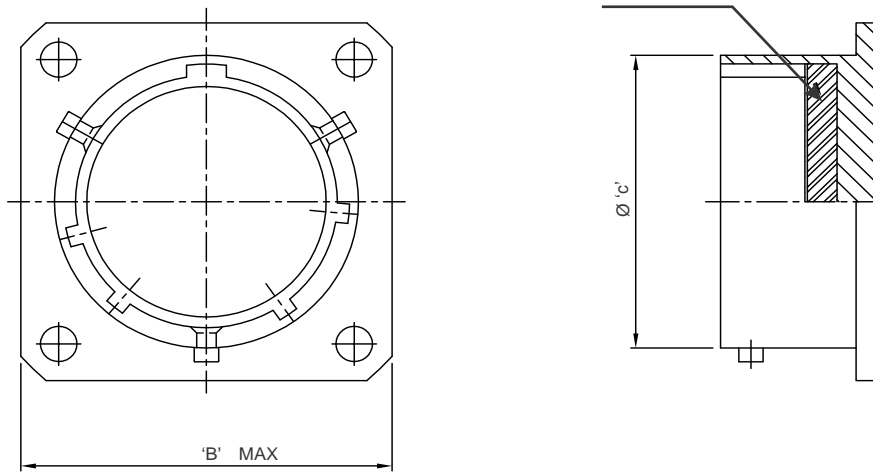
Cap without attachment



Ordering information IMB3181 -08 - A - V1



GASKET TO BE CEMENTED TO DUST CAP



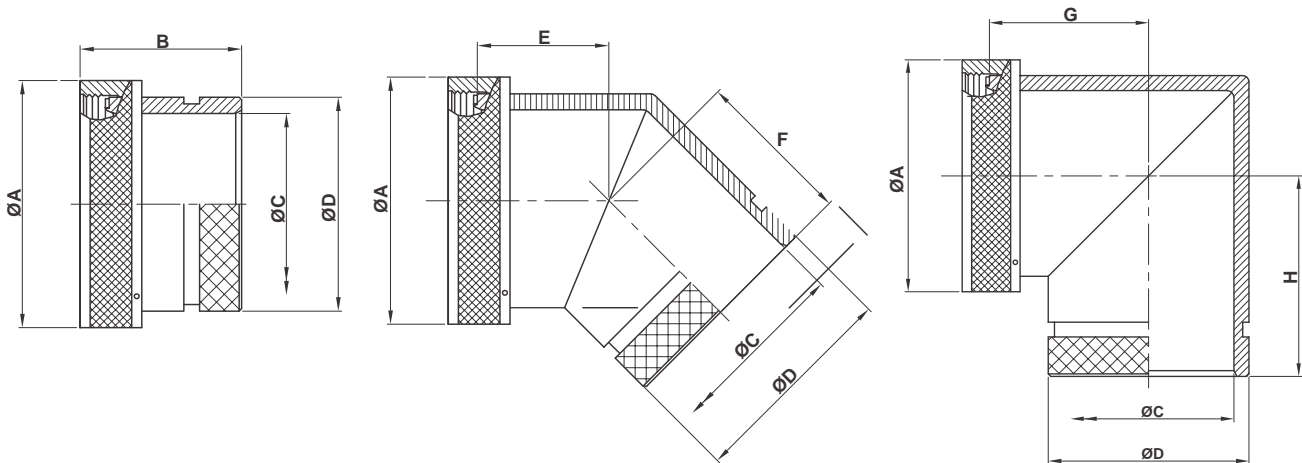
SIZE	'B' SQ	'C' ±0.08
08	20.62	11.96
10	23.80	14.94
12	26.39	18.97
14	28.58	22.17
16	31.34	25.32
18	33.32	28.52
20	36.50	31.70
22	39.67	34.87
24	42.85	38.05

IMB3115-10-W

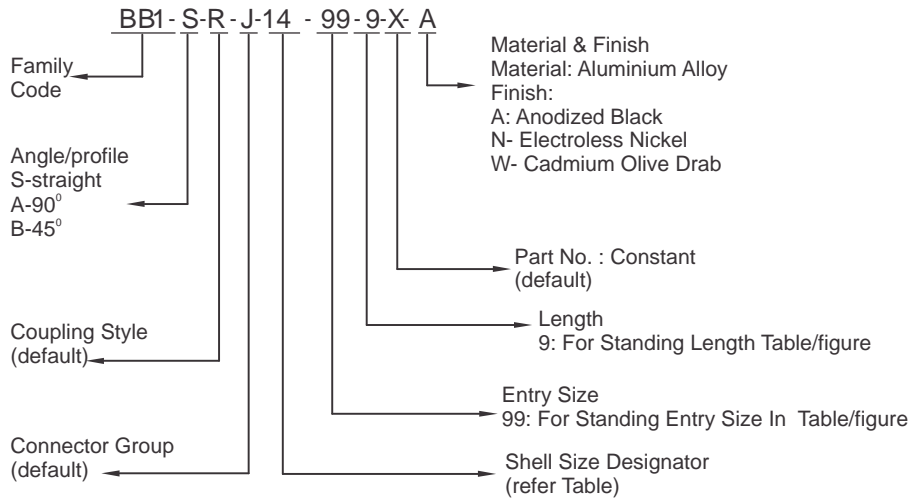
Product Designation

Shell Size

FINISH:
 A- Hard Anodized
 N- Electroless Nickel
 W- Cadmium Olive Drab
 SD- Zinc Nickel Black Finish
 * For other finish contact factory



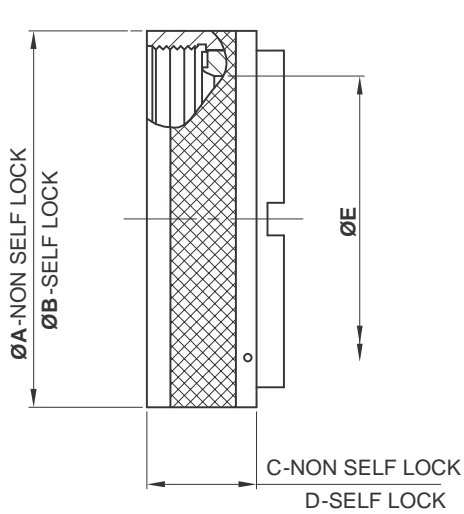
Part Numbering System



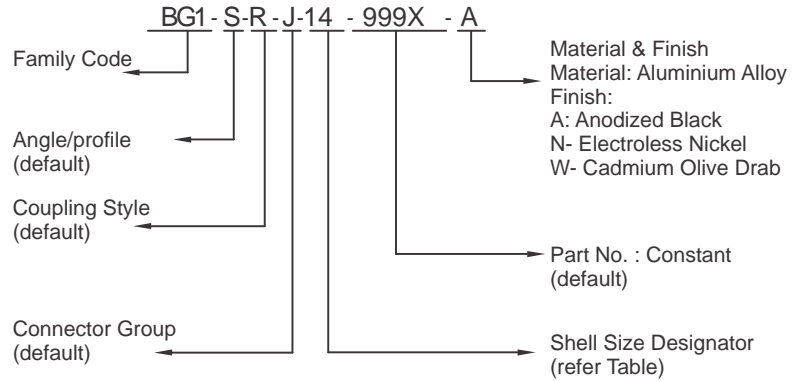
Dimensions

SHELL SIZE DESIGNATOR	ØA MAX.		B MAX.		ØC MIN.		ØD MIN.		E MAX.		F MAX.		G MAX.		H MAX.	
	INCH	MM	INCH	MM	INCH	MM	INCH	MM	INCH	MM	INCH	MM	INCH	MM	INCH	MM
08	0.62	15.67	1.19	30.15	0.25	6.35	0.53	13.54	0.64	16.23	0.81	20.57	0.75	19.05	0.92	23.37
10	0.73	18.64	1.19	30.15	0.36	9.02	0.61	15.37	0.66	16.87	0.84	21.34	0.81	20.57	0.98	24.89
12	0.86	21.79	1.19	30.15	0.49	12.47	0.77	19.66	0.69	17.48	0.86	21.84	0.87	22.10	1.04	26.42
14	0.98	24.99	1.19	30.15	0.57	14.35	0.84	21.29	0.71	17.91	0.89	22.61	0.92	23.37	1.11	28.19
16	1.11	28.24	1.19	30.15	0.69	17.53	0.96	24.46	0.73	18.59	0.91	23.11	0.98	24.89	1.17	29.72
18	1.22	30.94	1.19	30.15	0.77	19.53	1.04	26.47	0.75	19.00	0.92	23.37	1.02	25.91	1.19	30.23
20	1.35	34.16	1.19	30.15	0.89	22.71	1.22	30.91	0.77	19.63	0.94	23.88	1.08	27.43	1.25	31.75
22	1.47	37.29	1.19	30.15	1.02	25.88	1.36	34.42	0.80	20.32	0.98	24.89	1.14	28.96	1.33	33.78
24	1.59	40.46	1.19	30.15	1.13	28.80	1.44	36.65	0.82	20.90	1.01	25.65	1.20	30.48	1.40	35.56

Note: * For ordering with Military part number contact factory.



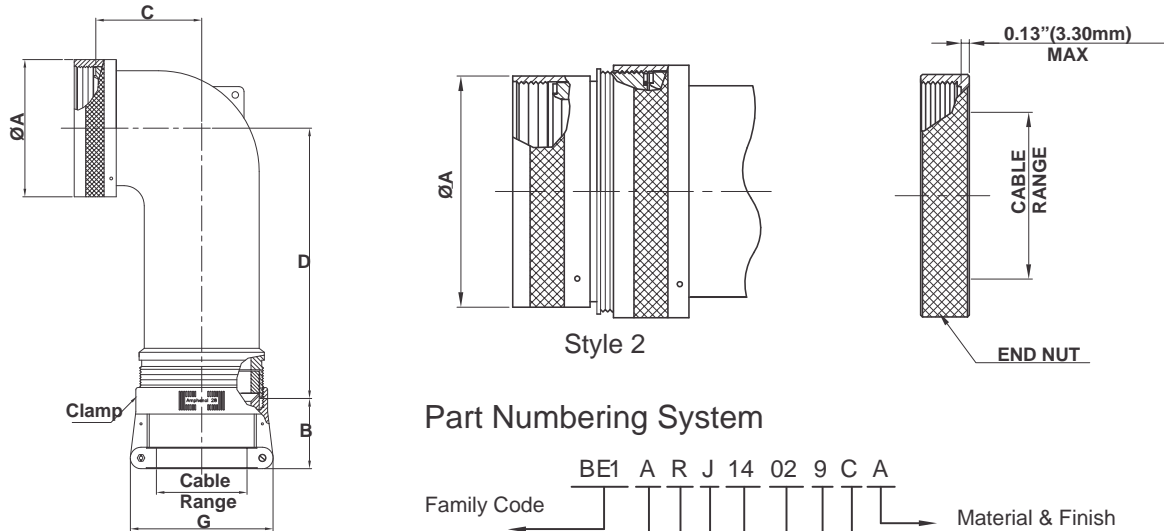
Part Numbering System



Dimensions

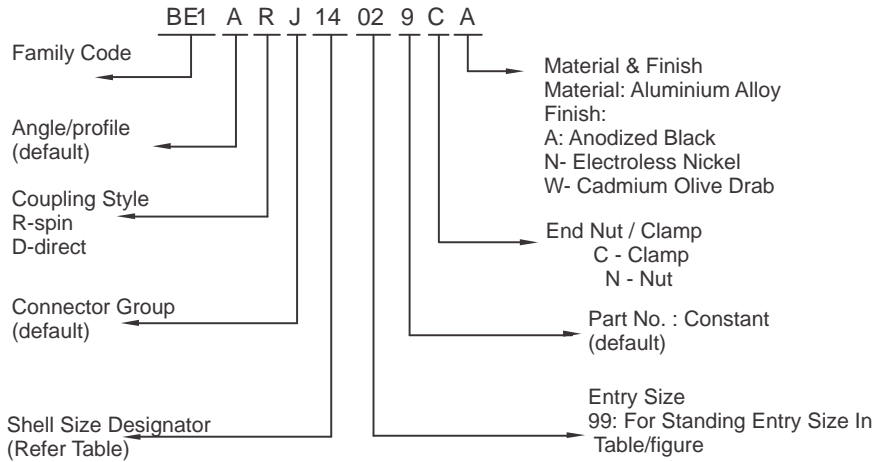
SHELL SIZE DESIGNATOR	ØA MAX.		ØB MAX.		C MAX.		D MAX.		E MAX.	
	INCH	MM	INCH	MM	INCH	MM	INCH	MM	INCH	MM
08	0.62	15.67	0.89	22.48	0.54	13.72	0.71	18.03	0.27	6.86
10	0.73	18.64	1.01	25.65	0.54	13.72	0.71	18.03	0.38	9.53
12	0.86	21.79	1.14	28.83	0.54	13.72	0.71	18.03	0.51	12.98
14	0.98	24.99	1.26	32.00	0.54	13.72	0.71	18.03	0.59	14.86
16	1.11	28.24	1.39	35.18	0.54	13.72	0.71	18.03	0.71	18.03
18	1.22	30.94	1.51	38.35	0.54	13.72	0.71	18.03	0.79	20.04
20	1.35	34.16	1.64	41.53	0.54	13.72	0.71	18.03	0.91	23.22
22	1.47	37.29	1.76	44.70	0.54	13.72	0.71	18.03	1.04	26.39
24	1.59	40.46	1.89	47.88	0.54	13.72	0.71	18.03	1.15	29.31

Note: * For ordering with Military part number contact factory.



Note: When maximum cable entry is exceeded style 2 will be supplied

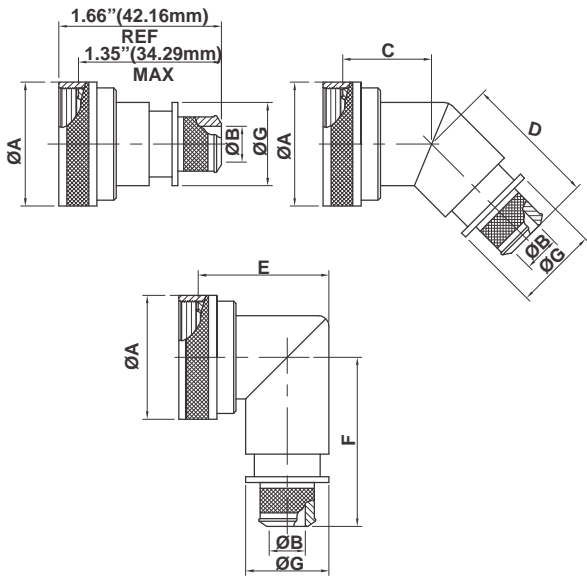
Part Numbering System



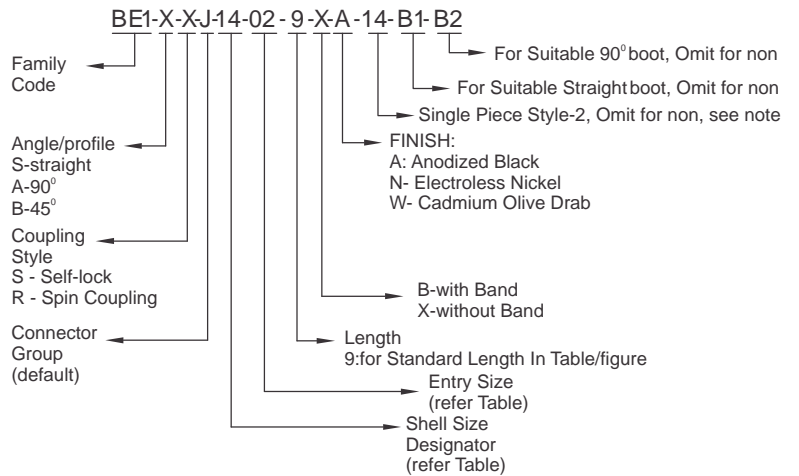
Dimensions (*) - Denotes Style 2

SHELL SIZE DESIGNATOR	ENTRY SIZE	ØA MAX.		B REF.		C MAX.		D MAX.		G MAX.		CABLE RANGE			
		INCH	MM	INCH	MM	INCH	MM	INCH	MM	INCH	MM	MIN.		MAX.	
												INCH	MM	INCH	MM
08	01	0.62	15.67	1.03	26.09	0.67	17.02	1.26	32.00	0.96	24.31	0.13	3.18	0.25	6.35
	01	0.73	18.64	1.03	26.09	0.76	19.30	1.98	50.29	0.96	24.31	0.13	3.18	0.31	7.92
	02*	0.73	18.64	1.03	26.09	1.52	38.61	2.00	50.80	1.15	29.08	0.25	6.35	0.44	11.10
10	03	0.73	18.64	1.03	26.09	0.76	19.30	1.38	35.05	1.15	29.08	0.25	6.35	0.38	9.53
	01	0.86	21.79	1.03	26.09	0.77	19.56	2.00	50.80	0.96	24.31	0.13	3.18	0.31	7.92
	02*	0.86	21.79	1.03	26.09	1.81	45.97	2.16	54.86	1.33	33.83	0.35	8.89	0.63	15.88
12	03	0.86	21.79	1.03	26.09	0.77	19.56	2.00	50.80	1.15	29.08	0.25	6.35	0.44	11.10
	04	0.86	21.79	1.03	26.09	0.77	19.56	1.40	35.56	1.33	33.83	0.35	8.89	0.50	12.70
	01	0.98	24.99	1.03	26.09	0.87	22.10	2.07	52.58	1.15	29.08	0.25	6.35	0.44	11.10
14	02	0.98	24.99	1.03	26.09	0.87	22.10	1.72	43.69	1.33	33.83	0.35	8.89	0.58	14.61
	03*	0.98	24.99	1.06	26.90	1.89	48.01	2.33	59.18	1.55	39.40	0.50	12.70	0.75	19.05
	04	0.98	24.99	1.03	26.09	0.87	22.10	2.07	52.58	0.96	24.31	0.13	3.18	0.31	7.92
16	01	1.11	28.24	1.03	26.09	1.05	26.67	2.16	54.86	1.15	29.08	0.25	6.35	0.44	11.10
	02	1.11	28.24	1.06	26.90	1.05	26.67	1.81	45.97	1.55	39.40	0.50	12.70	0.70	17.78
	03	1.11	28.24	1.03	26.09	1.05	26.67	2.16	54.86	1.33	33.83	0.35	8.89	0.63	15.88
18	04*	1.11	28.24	1.16	29.36	2.04	51.82	2.44	61.98	1.77	44.96	0.63	15.88	0.94	23.80
	05	1.11	28.24	1.03	26.09	1.05	26.67	2.16	54.86	0.96	24.31	0.13	3.18	0.31	7.92
	01	1.22	30.94	1.03	26.09	1.14	28.96	2.33	59.18	1.33	33.83	0.35	8.89	0.63	15.88
20	02	1.22	30.94	1.16	29.36	1.14	28.96	1.98	50.29	1.77	44.96	0.63	15.88	0.78	19.79
	03	1.22	30.94	1.03	26.09	1.14	28.96	2.33	59.18	0.96	24.31	0.13	3.18	0.31	7.92
	04	1.22	30.94	1.03	26.09	1.14	28.96	2.33	59.18	1.15	29.08	0.25	6.35	0.44	11.10
22	05	1.22	30.94	1.06	26.90	1.14	28.96	2.33	59.18	1.55	39.40	0.50	12.70	0.75	19.05
	06*	1.22	30.94	1.16	29.36	2.05	52.07	2.44	61.98	1.77	44.96	0.63	15.88	0.94	23.80
	01	1.35	34.16	1.03	26.09	1.14	28.96	2.33	59.18	1.33	33.83	0.35	8.89	0.63	15.88
24	02	1.35	34.16	1.16	29.36	1.14	28.96	1.98	50.29	1.77	44.96	0.63	15.88	0.90	22.96
	03	1.35	34.16	1.03	26.09	1.14	28.96	2.33	59.18	1.15	29.08	0.25	6.35	0.44	11.10
	04	1.35	34.16	1.06	26.90	1.14	28.96	2.33	59.18	1.55	39.40	0.50	12.70	0.75	19.05
26	05	1.35	34.16	1.38	34.93	2.14	54.36	2.61	66.29	2.11	53.67	0.88	22.23	1.25	31.75
	01	1.47	37.29	1.06	26.90	1.29	32.77	2.44	61.98	1.55	39.40	0.50	12.70	0.75	19.05
	02	1.47	37.29	1.38	34.93	1.29	32.77	2.09	53.09	2.11	53.67	0.88	22.23	1.03	26.14
28	03	1.47	37.29	1.03	26.09	1.29	32.77	2.44	61.98	0.96	24.31	0.13	3.18	0.31	7.92
	04	1.47	37.29	1.03	26.09	1.29	32.77	2.44	61.98	1.15	29.08	0.25	6.35	0.44	11.10
	05	1.47	37.29	1.03	26.09	1.29	32.77	2.44	61.98	1.33	33.83	0.35	8.89	0.63	15.88
30	06	1.47	37.29	1.16	29.36	1.29	32.77	2.44	61.98	1.77	44.96	0.63	15.88	0.94	23.80
	07*	1.47	37.29	1.38	34.93	2.14	54.36	2.61	66.29	2.11	53.67	0.88	22.23	1.25	31.75
	01	1.59	40.46	1.06	26.90	1.29	32.77	2.44	61.98	1.55	39.40	0.50	12.70	0.75	19.05
32	02	1.59	40.46	1.38	34.93	1.29	32.77	2.09	53.09	2.11	53.67	0.88	22.23	1.14	29.06
	03	1.59	40.46	1.03	26.09	1.29	32.77	2.44	61.98	1.33	33.83	0.35	8.89	0.63	15.88
	04	1.59	40.46	1.16	29.36	1.29	32.77	2.44	61.98	1.77	44.96	0.63	15.88	0.94	23.80
34	05*	1.59	40.46	1.38	34.93	2.15	54.61	2.61	66.29	2.12	53.75	0.88	22.23	1.25	31.75

Note: * For ordering with Military part number contact factory.



Part Numbering System



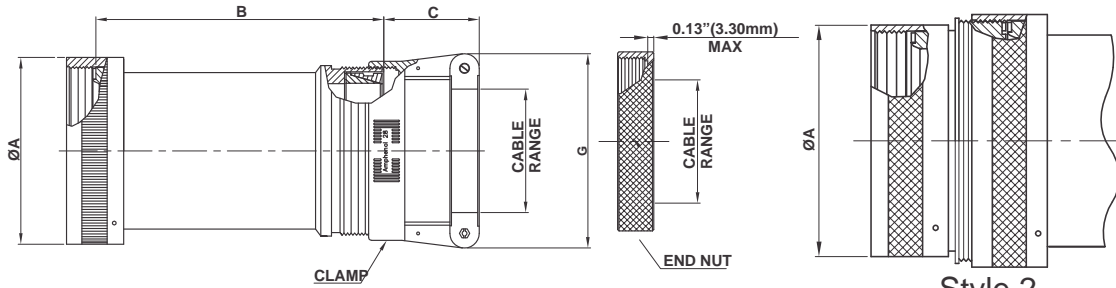
Dimensions

SHELL SIZE DESIGNATOR	ENTRY SIZE	ØA MAX.		ØB		C MAX.		D MAX.		E MAX.		F MAX.		G MAX.	
		INCH	MM	^{+0.00} _{-0.02} INCH	^{+0.00} _{-0.50} MM	INCH	MM	INCH	MM	INCH	MM	INCH	MM	INCH	MM
08	01	0.89	22.48	N/A	N/A	0.87	22.10	1.16	29.46	1.19	30.18	1.42	35.99	N/A	N/A
	02			0.26	6.60									0.56	14.22
10	01	1.01	25.65	N/A	N/A	0.89	22.61	1.18	29.97	1.28	32.54	1.48	37.59	N/A	N/A
	02			0.32	8.13									0.63	16.00
12	01	1.14	28.83	0.32	8.13	0.92	23.37	1.20	30.48	1.41	35.71	1.54	39.17	0.63	16.00
	02			0.45	11.43									0.75	19.05
14	01	1.26	32.00	0.45	11.43	0.94	23.88	1.22	30.99	1.53	38.89	1.61	40.77	0.63	19.05
	02			0.57	14.48									0.89	22.61
16	01	1.39	35.18	0.51	12.95	0.96	24.38	1.25	31.75	1.66	42.06	1.67	42.34	0.82	20.83
	02			0.64	16.26									0.95	24.13
18	01	1.51	38.35	0.64	16.26	0.98	24.89	1.26	32.00	1.72	43.64	1.73	43.94	0.95	24.13
	02			0.76	19.30									1.07	27.18
20	01	1.64	41.53	0.64	16.26	1.00	25.40	1.29	32.77	1.84	46.84	1.79	45.52	0.95	24.13
	02			0.82	20.83									1.13	28.07
22	01	1.76	44.70	0.70	17.78	1.03	26.16	1.31	33.27	1.94	49.23	1.85	46.99	1.02	25.99
	02			0.95	24.13									1.26	32.00
24	01	1.89	47.88	0.76	19.30	1.05	26.67	1.34	34.04	2.09	53.16	1.92	48.69	1.07	27.18
	02			1.01	25.65									1.32	33.53

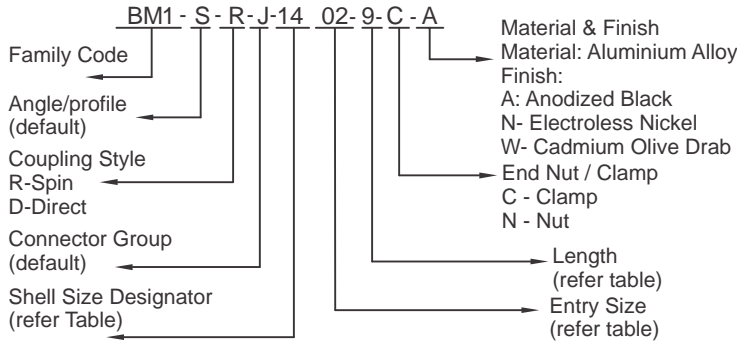
Note: * For ordering with Military part number contact factory.



MI/RFI Non-Environment Backshell



Part Numbering System



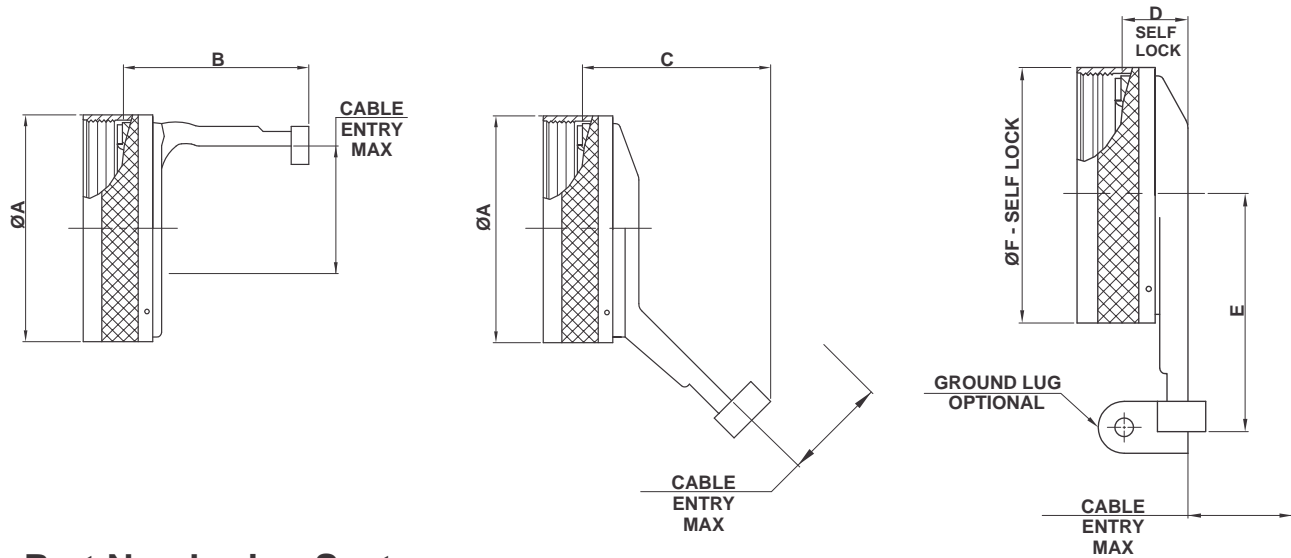
Dimensions *- Indicates Style 2 in table

SHELL SIZE DESIGNATOR	ENTRY SIZE	LENGTH	ØA MAX.		B MAX.		C REF.		G MAX.		CABLE RANGE			
			INCH	MM	INCH	MM	INCH	MM	INCH	MM	MIN.		MAX.	
											INCH	MM	INCH	MM
08	01	1	0.62	15.67	2.13	54.10	1.03	26.09	0.96	24.31	0.13	3.18	0.25	6.35
		2	0.62	15.67	3.13	79.50	1.03	26.09	0.96	24.31	0.13	3.18	0.25	6.35
	02	1	0.62	15.67	2.88	73.15	1.03	26.09	1.15	29.08	0.25	6.35	0.44	11.10
		2	0.62	15.67	3.88	98.55	1.03	26.09	1.15	29.08	0.25	6.35	0.44	11.10
10	01	1	0.73	18.64	2.13	54.10	1.03	26.09	0.96	24.31	0.13	3.18	0.31	7.92
		2	0.73	18.64	3.13	79.50	1.03	26.09	0.96	24.31	0.13	3.18	0.31	7.92
	02	1	0.73	18.64	2.88	73.15	1.03	26.09	1.15	29.08	0.25	6.35	0.44	11.10
		2	0.73	18.64	3.88	98.55	1.03	26.09	1.15	29.08	0.25	6.35	0.44	11.10
12	01	1	0.86	21.79	2.13	54.10	1.03	26.09	1.15	29.08	0.25	6.35	0.38	9.53
		2	0.86	21.79	3.13	79.50	1.03	26.09	1.15	29.08	0.25	6.35	0.38	9.53
	02	1	0.86	21.79	2.88	73.15	1.03	26.09	1.33	33.83	0.35	8.89	0.63	15.88
		2	0.86	21.79	3.88	98.55	1.03	26.09	1.33	33.83	0.35	8.89	0.63	15.88
14	01	1	0.86	21.79	2.13	54.10	1.03	26.09	1.33	33.83	0.35	8.89	0.50	12.70
		2	0.86	21.79	3.13	79.50	1.03	26.09	1.33	33.83	0.35	8.89	0.50	12.70
	02	1	0.98	24.99	2.13	54.10	1.03	26.09	1.55	39.40	0.50	12.70	0.75	19.05
		2	0.98	24.99	3.13	79.50	1.03	26.09	1.55	39.40	0.50	12.70	0.75	19.05
16	01	1	1.11	28.24	2.13	54.10	1.06	26.90	1.55	39.40	0.50	12.70	0.70	17.78
		2	1.11	28.24	3.13	79.50	1.06	26.90	1.55	39.40	0.50	12.70	0.70	17.78
	02	1	1.11	28.24	2.88	73.15	1.16	29.36	1.77	44.96	0.63	15.88	0.94	23.80
		2	1.11	28.24	3.88	98.55	1.16	29.36	1.77	44.96	0.63	15.88	0.94	23.80
24	01	1	1.11	28.24	2.13	54.10	1.03	26.09	1.15	29.08	0.25	6.35	0.44	11.10
		2	1.11	28.24	3.13	79.50	1.03	26.09	1.15	29.08	0.25	6.35	0.44	11.10
	02	1	1.11	28.24	2.13	54.10	1.03	26.09	1.33	33.83	0.35	8.89	0.63	15.88
		2	1.11	28.24	3.13	79.50	1.03	26.09	1.33	33.83	0.35	8.89	0.63	15.88

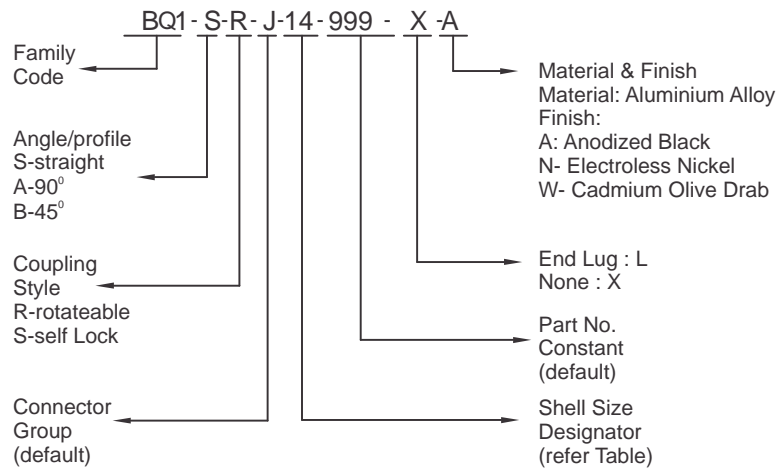
SHELL SIZE DESIGNATOR	ENTRY SIZE	LENGTH	ØA MAX.		B MAX.		C REF.		G MAX.		CABLE RANGE				
			INCH	MM	INCH	MM	INCH	MM	INCH	MM	MIN.		MAX.		
											INCH	MM	INCH	MM	
18	01	1	1.22	30.94	2.13	54.10	1.03	26.09	1.33	33.83	0.35	8.89	0.63	15.88	
		2	1.22	30.94	3.13	79.50	1.03	26.09	1.33	33.83	0.35	8.89	0.63	15.88	
	02	1	1.22	30.94	2.13	54.10	1.06	26.90	1.55	39.40	0.50	12.70	0.75	19.05	
		2	1.22	30.94	3.13	79.50	1.06	26.90	1.55	39.40	0.50	12.70	0.75	19.05	
	03	1	1.22	30.94	2.88	73.15	1.16	29.36	1.77	44.96	0.63	15.88	0.94	23.80	
		2	1.22	30.94	3.88	98.55	1.16	29.36	1.77	44.96	0.63	15.88	0.94	23.80	
	04	1	1.22	30.94	2.13	54.10	1.03	26.09	0.96	24.31	0.13	3.18	0.31	7.92	
		2	1.22	30.94	3.13	79.50	1.03	26.09	0.96	24.31	0.13	3.18	0.31	7.92	
	05	1	1.22	30.94	2.13	54.10	1.03	26.09	1.15	29.08	0.25	6.35	0.44	11.10	
		2	1.22	30.94	3.13	79.50	1.03	26.09	1.15	29.08	0.25	6.35	0.44	11.10	
	20	01	1	1.35	34.16	3.13	79.50	1.03	26.09	1.33	33.83	0.35	8.89	0.63	15.88
			2	1.35	34.16	4.13	104.90	1.03	26.09	1.33	33.83	0.35	8.89	0.63	15.88
02		1	1.35	34.16	3.13	79.50	1.06	26.90	1.55	39.40	0.50	12.70	0.75	19.05	
		2	1.35	34.16	4.13	104.90	1.06	26.90	1.55	39.40	0.50	12.70	0.75	19.05	
03		1	1.35	34.16	3.88	98.55	1.16	29.36	1.77	44.96	0.63	15.88	0.94	23.80	
		2	1.35	34.16	4.88	123.95	1.16	29.36	1.77	44.96	0.63	15.88	0.94	23.80	
04		1	1.35	34.16	3.88	98.55	1.38	34.93	2.11	53.67	0.88	22.23	1.25	31.75	
		2	1.35	34.16	4.88	123.95	1.38	34.93	2.11	53.67	0.88	22.23	1.25	31.75	
05		1	1.35	34.16	3.13	79.50	1.03	26.09	1.15	29.08	0.25	6.35	0.44	11.10	
		2	1.35	34.16	4.13	104.90	1.03	26.09	1.15	29.08	0.25	6.35	0.44	11.10	
06		1	1.35	34.16	3.13	79.50	1.16	29.36	1.77	44.96	0.63	15.88	0.90	22.96	
		2	1.35	34.16	4.13	104.90	1.16	29.36	1.77	44.96	0.63	15.88	0.90	22.96	
22	01	1	1.47	37.29	3.13	79.50	1.03	26.09	1.33	33.83	0.35	8.89	0.63	15.88	
		2	1.47	37.29	4.13	104.90	1.03	26.09	1.33	33.83	0.35	8.89	0.63	15.88	
	02	1	1.47	37.29	3.13	79.50	1.06	26.90	1.55	39.40	0.50	12.70	0.75	19.05	
		2	1.47	37.29	4.13	104.90	1.06	26.90	1.55	39.40	0.50	12.70	0.75	19.05	
	03	1	1.47	37.29	4.13	104.90	1.16	29.36	1.77	44.96	0.63	15.88	0.94	23.80	
		2	1.47	37.29	5.13	130.30	1.16	29.36	1.77	44.96	0.63	15.88	0.94	23.80	
	04	1	1.47	37.29	3.88	98.55	1.38	34.93	2.11	53.67	0.88	22.23	1.25	31.75	
		2	1.47	37.29	4.88	123.95	1.38	34.93	2.11	53.67	0.88	22.23	1.25	31.75	
	05	1	1.47	37.29	3.13	79.50	1.03	26.09	0.96	24.31	0.13	3.18	0.31	7.92	
		2	1.47	37.29	4.13	104.90	1.03	26.09	0.96	24.31	0.13	3.18	0.31	7.92	
	06	1	1.47	37.29	3.13	79.50	1.16	29.36	1.77	44.96	0.63	15.88	0.94	23.80	
		2	1.47	37.29	4.13	104.90	1.16	29.36	1.77	44.96	0.63	15.88	0.94	23.80	
	07	1	1.47	37.29	3.13	79.50	1.38	34.93	2.11	53.67	0.88	22.23	1.03	26.14	
		2	1.47	37.29	4.13	104.90	1.38	34.93	2.11	53.67	0.88	22.23	1.03	26.14	

SHELL SIZE DESIGNATOR	ENTRY SIZE	LENGTH	ØA MAX.		B MAX.		C REF.		G MAX.		CABLE RANGE			
			INCH	MM	INCH	MM	INCH	MM	INCH	MM	MIN.		MAX.	
											INCH	MM	INCH	MM
24	01	1	1.59	40.46	3.13	79.50	1.06	26.90	1.55	39.40	0.50	12.70	0.75	19.05
		2	1.59	40.46	4.13	104.90	1.06	26.90	1.55	39.40	0.50	12.70	0.75	19.05
	02	1	1.59	40.46	3.13	79.50	1.16	29.36	1.77	44.96	0.63	15.88	0.81	20.62
		2	1.59	40.46	4.13	104.90	1.16	29.36	1.77	44.96	0.63	15.88	0.81	20.62
	03	1	1.59	40.46	3.13	79.50	1.16	29.36	1.77	44.96	0.63	15.88	0.94	23.80
		2	1.59	40.46	4.13	104.90	1.16	29.36	1.77	44.96	0.63	15.88	0.94	23.80
	04	1	1.59	40.46	3.88	98.55	1.38	34.93	2.11	53.67	0.88	22.23	1.25	31.75
		2	1.59	40.46	4.88	123.95	1.38	34.93	2.11	53.67	0.88	22.23	1.25	31.75
	05	1	1.59	40.46	3.13	79.50	1.03	26.09	1.33	33.83	0.35	8.89	0.63	15.88
		2	1.59	40.46	4.13	104.90	1.03	26.09	1.33	33.83	0.35	8.89	0.63	15.88
	06	1	1.59	40.46	3.13	79.50	1.38	34.93	2.11	53.67	0.88	22.23	1.14	29.06
		2	1.59	40.46	4.13	104.90	1.38	34.93	2.11	53.67	0.88	22.23	1.14	29.06

Note: * For ordering with Military part number contact factory.



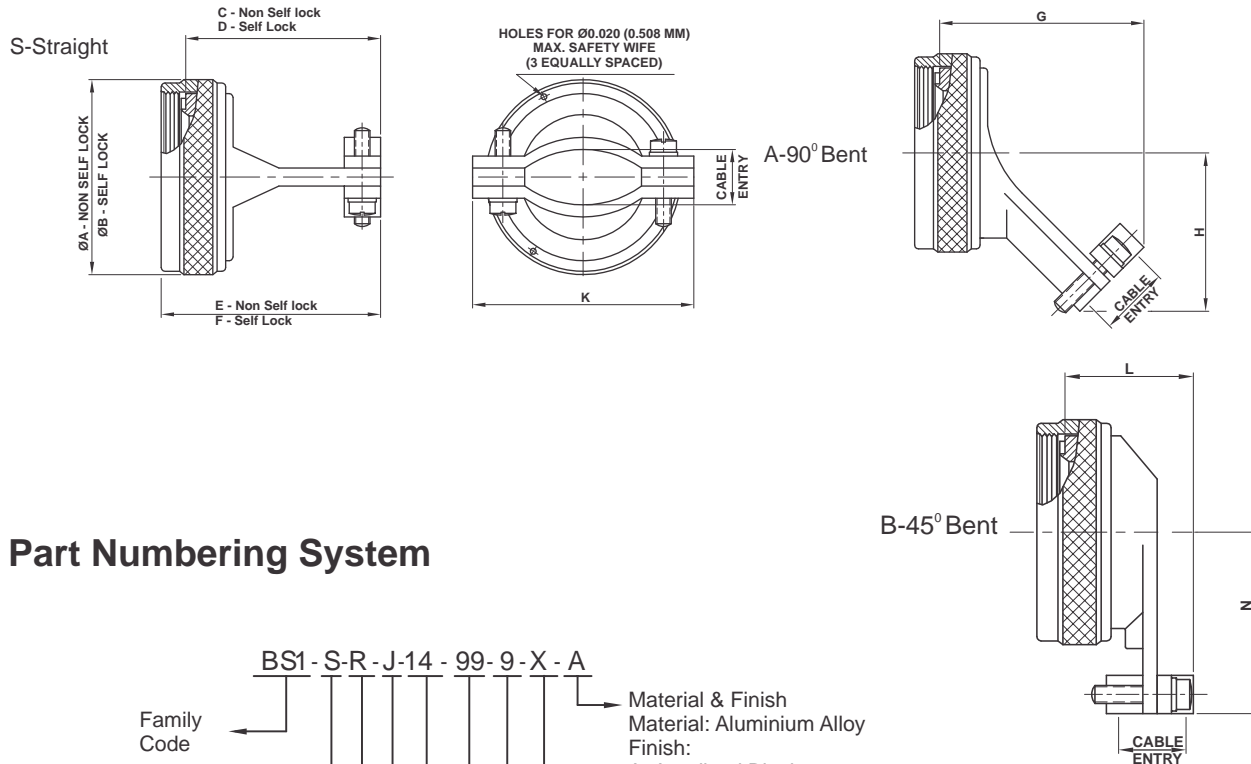
Part Numbering System



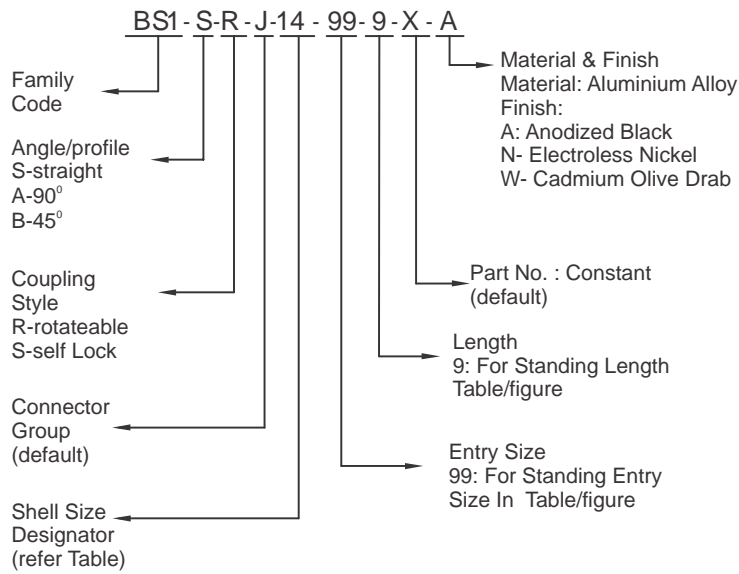
Dimensions

SHELL SIZE DESIGNATOR	ØA MAX.		B MAX.		C MAX.		D MAX.		E MAX.		ØF MAX.		WIRING ENTRY MAX.	
	INCH	MM	INCH	MM	NCH	MM	INCH	MM	INCH	MM	INCH	MM	INCH	MM
08	0.66	16.69	0.95	24.23	1.23	31.29	0.73	18.54	1.22	30.99	0.89	22.48	0.26	6.60
10	0.78	19.86	0.95	24.23	1.23	31.29	0.73	18.54	1.29	32.77	1.01	25.65	0.37	9.27
12	0.94	23.80	0.95	24.23	1.23	31.29	0.73	18.54	1.62	41.15	1.14	28.83	0.50	12.73
14	1.05	26.67	1.20	30.58	1.23	31.29	0.73	18.54	1.66	42.16	1.26	32.00	0.58	14.61
16	1.24	31.47	1.20	30.58	1.23	31.29	0.73	18.54	1.72	43.69	1.39	35.18	0.70	17.78
18	1.38	35.00	1.20	30.58	1.23	31.29	0.73	18.54	1.72	43.69	1.51	38.35	0.78	19.79
20	1.50	38.10	1.31	33.27	1.48	37.64	0.75	19.05	1.79	45.47	1.64	41.53	0.90	22.96
22	1.63	41.43	1.43	36.32	1.48	37.64	0.75	19.05	1.85	46.99	1.76	44.70	1.03	26.14
24	1.75	44.45	1.56	39.62	1.48	37.64	0.75	19.05	1.91	48.51	1.89	47.88	1.14	29.06

Note: * For ordering with Military part number contact factory.



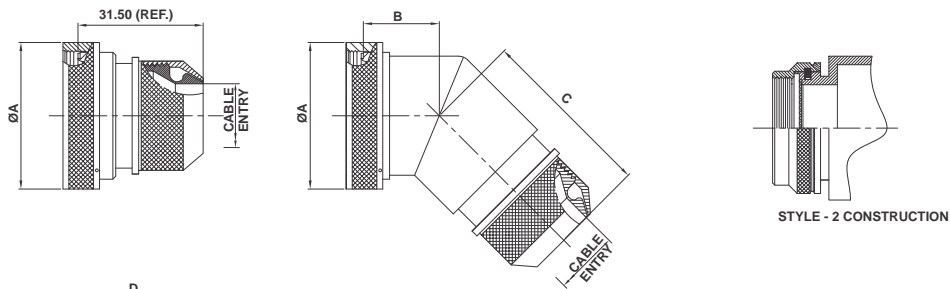
Part Numbering System



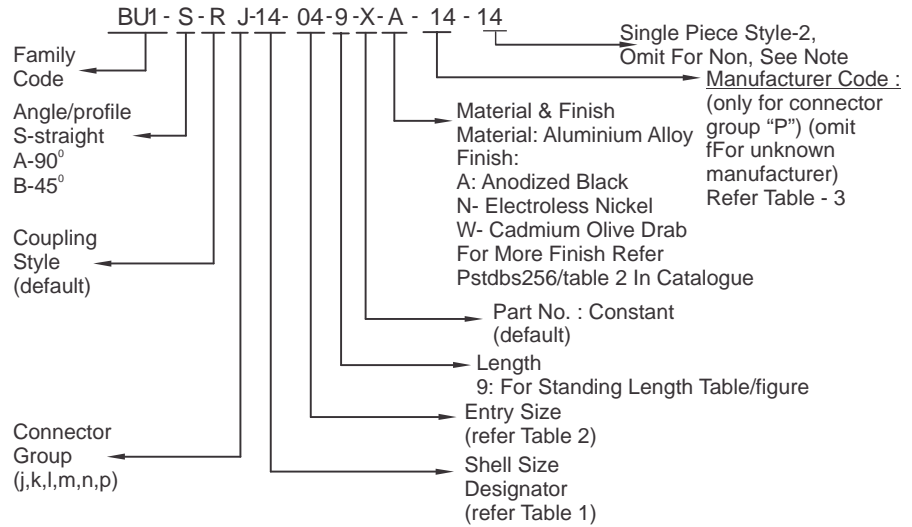
Table

SHELL SIZE DESIGNATOR	ØA MAX.		ØB MAX.		ØC MAX.		D MAX.		E MAX.		F MAX.		K MAX.		G MAX.		H MAX.		L MAX.		N MAX.		CABLE ENTRY							
	INCH	MM	INCH	MM	INCH	MM	INCH	MM	INCH	MM	INCH	MM	INCH	MM	INCH	MM	INCH	MM	INCH	MM	INCH	MM	INCH	MM	INCH	MM	INCH	MM		
08	0.617	15.67	0.885	22.48	0.63	16.00	0.73	18.54	0.890	22.61	1.04	26.42	0.782	19.86	1.320	33.53	0.772	19.61	0.93	23.62	0.808	20.52	0.204	5.18	0.187	4.75	0.286	7.26	0.187	4.75
10	0.734	18.64	1.010	25.65	0.74	18.80	0.85	21.59	1.000	25.40	1.16	29.46	0.862	21.89	1.364	34.65	0.803	20.40	1.02	25.91	0.867	22.02	0.286	7.26	0.187	4.75	0.416	10.57	0.291	7.39
12	0.858	21.79	1.135	28.83	0.86	21.84	0.98	24.89	1.125	28.58	1.29	32.77	1.003	25.48	1.438	36.53	0.866	22.00	1.21	30.73	0.929	23.60	0.416	10.57	0.291	7.39	0.476	12.09	0.351	8.92
14	0.984	24.99	1.260	32.00	0.86	21.84	0.98	24.89	1.125	28.58	1.29	32.77	1.061	26.95	1.480	37.59	0.928	23.57	1.27	32.26	0.992	25.20	0.476	12.09	0.351	8.92	0.626	15.90	0.501	12.73
16	1.112	28.24	1.385	35.18	0.99	25.15	1.10	27.94	1.250	31.75	1.41	35.81	1.334	33.88	1.586	40.28	0.991	25.17	1.42	36.07	1.056	26.82	0.626	15.90	0.501	12.73	0.706	17.93	0.518	13.16
18	1.218	30.94	1.510	38.35	1.24	31.50	1.35	34.29	1.500	38.10	1.66	42.16	1.466	37.24	1.704	43.28	1.110	28.19	1.53	38.86	1.233	31.32	0.706	17.93	0.518	13.16	0.831	21.11	0.581	14.76
20	1.345	34.16	1.635	41.53	1.36	34.54	1.48	37.59	1.625	41.28	1.79	45.47	1.572	39.93	1.748	44.40	1.172	29.77	1.65	41.91	1.296	32.92	0.831	21.11	0.581	14.76	0.956	24.28	0.644	16.36
22	1.468	37.29	1.760	44.70	1.49	37.85	1.60	40.64	1.750	44.45	1.91	48.51	1.688	42.88	1.792	45.52	1.235	31.37	1.78	45.21	1.358	34.49	0.956	24.28	0.644	16.36	1.081	27.46	0.706	17.93
24	1.593	40.46	1.885	47.88	1.61	40.89	1.73	43.94	1.875	47.63	2.04	51.82	1.790	45.47	1.836	46.63	1.297	32.94	1.90	48.26	1.420	36.07	1.081	27.46	0.706	17.93	1.297	32.94	0.706	17.93

Note: * For ordering with Military part number contact factory.



Part Numbering System



Dimensions

SHELL SIZE DESIGNATOR	ØA MAX.		B MAX.		C MAX.		D MAX.		E MAX.	
	INCH	MM	NCH	MM	INCH	MM	INCH	MM	INCH	MM
08	0.885	22.48	0.87	22.10	1.12	28.46	1.12	28.52	1.39	35.50
10	1.01	25.65	0.90	22.90	1.15	29.22	1.11	28.40	1.46	37.09
12	1.135	28.83	0.92	23.40	1.17	29.74	1.18	30.20	1.53	38.94
14	1.28	32.51	0.94	24.10	1.20	30.50	1.24	31.70	1.59	40.50
16	1.41	35.81	0.98	24.90	1.22	31.01	1.25	31.90	1.65	42.12
18	1.52	38.61	1.00	25.50	1.23	31.26	1.32	33.78	1.75	44.53
20	1.64	41.66	1.01	25.75	1.26	32.02	1.33	33.90	1.77	45.12
22	1.77	44.96	1.03	26.40	1.29	32.79	1.31	35.37	1.83	46.72
24	1.89	48.01	1.07	27.20	1.31	33.29	1.39	35.50	1.89	48.00

ENTRY SIZE	Ø ENTRY (INCHES)	Ø ENTRY MM
01	0.256	6.50
02	0.315	8.00
03	0.375	9.50
04	0.437	11.10
05	0.500	12.70
06	0.626	15.90
07	0.748	19.00
08	0.876	22.25
09	1.000	25.40
10	1.126	28.60
11	1.250	31.75
12	1.378	35.00
13	1.500	38.10

Note: * For ordering with Military part number contact factory.

AMPHENOL PART NUMBER DESIGNATOR			A DIA. (MAX.)		B (MAX)		C (REF)		G (MAX)		CABLE RANGE			
SHELL SIZE	ENTRY SIZE	LENGTH	INCH		MM		INCH		MM		MIN		MAX	
			INCH	MM	INCH	MM	INCH	MM	INCH	MM	INCH	MM		
08	01	1	0.62	15.67	2.13	54.10	1.54	39.22	0.96	24.31	0.13	3.18	0.25	6.35
		2	0.62	15.67	3.13	79.50	1.54	39.22	0.96	24.31	0.13	3.18	0.25	6.35
	02	1	0.62	15.67	2.88	73.15	1.54	39.22	1.15	29.08	0.25	6.35	0.44	11.10
		2	0.62	15.67	3.88	98.55	1.54	39.22	1.15	29.08	0.25	6.35	0.44	11.10
	01	1	0.73	18.64	2.13	54.10	1.54	39.22	0.96	24.31	0.13	3.18	0.31	7.92
		2	0.73	18.64	3.13	79.50	1.54	39.22	0.96	24.31	0.13	3.18	0.31	7.92
	02	1	0.73	18.64	2.88	73.15	1.54	39.22	1.15	29.08	0.25	6.35	0.38	9.53
		2	0.73	18.64	3.88	98.55	1.54	39.22	1.15	29.08	0.25	6.35	0.38	9.53
	03	1	0.73	18.64	2.13	54.10	1.54	39.22	1.15	29.08	0.25	6.35	0.38	9.53
		2	0.73	18.64	3.13	79.50	1.54	39.22	1.15	29.08	0.25	6.35	0.38	9.53
	01	1	0.86	21.79	2.13	54.10	1.54	39.22	1.15	29.08	0.25	6.35	0.44	11.10
		2	0.86	21.79	3.13	79.50	1.54	39.22	1.15	29.08	0.25	6.35	0.44	11.10
	02	1	0.86	21.79	2.88	73.15	1.84	46.84	1.33	33.83	0.35	8.89	0.63	15.88
		2	0.86	21.79	3.88	98.55	1.84	46.84	1.33	33.83	0.35	8.89	0.63	15.88
	03	1	0.86	21.79	2.13	54.10	1.84	46.84	1.33	33.83	0.35	8.89	0.50	12.70
		2	0.86	21.79	3.13	79.50	1.84	46.84	1.33	33.83	0.35	8.89	0.50	12.70
	04	1	0.86	21.79	2.13	54.10	1.54	39.22	0.96	24.31	0.13	3.18	0.31	7.92
		2	0.86	21.79	3.13	79.50	1.54	39.22	0.96	24.31	0.13	3.18	0.31	7.92
	05	1	0.86	21.79	2.13	54.10	1.84	46.84	1.33	33.83	0.35	8.89	0.50	12.70
		2	0.86	21.79	3.13	79.50	1.84	46.84	1.33	33.83	0.35	8.89	0.50	12.70
	01	1	0.98	24.99	2.13	54.10	1.84	46.84	1.33	33.83	0.35	8.89	0.58	14.61
		2	0.98	24.99	3.13	79.50	1.84	46.84	1.33	33.83	0.35	8.89	0.58	14.61
	02	1	0.98	24.99	2.88	73.15	1.92	48.67	1.55	39.40	0.50	12.70	0.75	19.05
		2	0.98	24.99	3.88	98.55	1.92	48.67	1.55	39.40	0.50	12.70	0.75	19.05
	03	1	0.98	24.99	2.13	54.10	1.54	39.22	1.15	29.08	0.25	6.35	0.44	11.10
		2	0.98	24.99	3.13	79.50	1.54	39.22	1.15	29.08	0.25	6.35	0.44	11.10
	04	1	0.98	24.99	2.13	54.10	1.54	39.22	0.96	24.31	0.13	3.18	0.31	7.92
		2	0.98	24.99	3.13	79.50	1.54	39.22	0.96	24.31	0.13	3.18	0.31	7.92
	01	1	1.11	28.24	2.13	54.10	1.92	48.67	1.55	39.40	0.50	12.70	0.70	17.78
		2	1.11	28.24	3.13	79.50	1.92	48.67	1.55	39.40	0.50	12.70	0.70	17.78
	02	1	1.11	28.24	2.88	73.15	2.00	50.80	1.77	44.96	0.63	15.88	0.94	23.80
		2	1.11	28.24	3.88	98.55	2.00	50.80	1.77	44.96	0.63	15.88	0.94	23.80
	03	1	1.11	28.24	2.13	54.10	1.54	39.22	1.15	29.08	0.25	6.35	0.44	11.10
		2	1.11	28.24	3.13	79.50	1.54	39.22	1.15	29.08	0.25	6.35	0.44	11.10
	04	1	1.11	28.24	2.13	54.10	1.84	46.84	1.33	33.83	0.35	8.89	0.63	15.88
		2	1.11	28.24	3.13	79.50	1.84	46.84	1.33	33.83	0.35	8.89	0.63	15.88
	05	1	1.11	28.24	2.13	54.10	1.54	39.22	0.96	24.31	0.13	3.18	0.31	7.92
		2	1.11	28.24	3.13	79.50	1.54	39.22	0.96	24.31	0.13	3.18	0.31	7.92
	01	1	1.22	30.94	2.13	54.10	1.84	46.84	1.33	33.83	0.35	8.89	0.63	15.88
		2	1.22	30.94	3.13	79.50	1.84	46.84	1.33	33.83	0.35	8.89	0.63	15.88
	02	1	1.22	30.94	2.13	54.10	1.92	48.67	1.55	39.40	0.50	12.70	0.75	19.05
		2	1.22	30.94	3.13	79.50	1.92	48.67	1.55	39.40	0.50	12.70	0.75	19.05
	03	1	1.22	30.94	2.88	73.15	2.00	50.80	1.77	44.96	0.63	15.88	0.94	23.80
		2	1.22	30.94	3.88	98.55	2.00	50.80	1.77	44.96	0.63	15.88	0.94	23.80
	04	1	1.22	30.94	2.13	54.10	1.54	39.22	0.96	24.31	0.13	3.18	0.31	7.92
		2	1.22	30.94	3.13	79.50	1.54	39.22	0.96	24.31	0.13	3.18	0.31	7.92
	05	1	1.22	30.94	2.13	54.10	1.54	39.22	1.15	29.08	0.25	6.35	0.44	11.10
		2	1.22	30.94	3.13	79.50	1.54	39.22	1.15	29.08	0.25	6.35	0.44	11.10
	01	1	1.35	34.16	3.13	79.50	1.84	46.84	1.33	33.83	0.35	8.89	0.63	15.88
		2	1.35	34.16	4.13	104.90	1.84	46.84	1.33	33.83	0.35	8.89	0.63	15.88
	02	1	1.35	34.16	3.13	79.50	1.92	48.67	1.55	39.40	0.50	12.70	0.75	19.05
		2	1.35	34.16	4.13	104.90	1.92	48.67	1.55	39.40	0.50	12.70	0.75	19.05
	03	1	1.35	34.16	3.88	98.55	2.00	50.80	1.77	44.96	0.63	15.88	0.94	23.80
		2	1.35	34.16	4.88	123.95	2.00	50.80	1.77	44.96	0.63	15.88	0.94	23.80
	04	1	1.35	34.16	3.88	98.55	2.23	56.64	2.11	53.67	0.88	22.23	1.25	31.75
		2	1.35	34.16	4.88	123.95	2.23	56.64	2.11	53.67	0.88	22.23	1.25	31.75
	05	1	1.35	34.16	3.13	79.50	1.54	39.22	1.15	29.08	0.25	6.35	0.44	11.10
		2	1.35	34.16	4.13	104.90	1.54	39.22	1.15	29.08	0.25	6.35	0.44	11.10
	06	1	1.35	34.16	3.13	79.50	2.00	50.80	1.77	44.96	0.63	15.88	0.90	22.96
		2	1.35	34.16	4.13	104.90	2.00	50.80	1.77	44.96	0.63	15.88	0.90	22.96
	01	1	1.47	37.29	3.13	79.50	1.84	46.84	1.33	33.83	0.35	8.89	0.63	15.88
		2	1.47	37.29	4.13	104.90	1.84	46.84	1.33	33.83	0.35	8.89	0.63	15.88
	02	1	1.47	37.29	3.13	79.50	1.92	48.67	1.55	39.40	0.50	12.70	0.75	19.05
		2	1.47	37.29	4.13	104.90	1.92	48.67	1.55	39.40	0.50	12.70	0.75	19.05
	03	1	1.47	37.29	3.13	79.50	2.00	50.80	1.77	44.96	0.63	15.88	0.94	23.80
		2	1.47	37.29	4.13	104.90	2.00	50.80	1.77	44.96	0.63	15.88	0.94	23.80
	04	1	1.47	37.29	3.88	98.55	2.23	56.64	2.11	53.67	0.88	22.23	1.25	31.75
		2	1.47	37.29	4.88	123.95	2.23	56.64	2.11	53.67	0.88	22.23	1.25	31.75
	05	1	1.47	37.29	3.13	79.50	1.54	39.22	0.96	24.31	0.13	3.18	0.31	7.92
		2	1.47	37.29	4.13	104.90	1.54	39.22	0.96	24.31	0.13	3.18	0.31	7.92
	06	1	1.47	37.29	3.13	79.50	1.54	39.22	1.15	29.08	0.25	6.35	0.44	11.10
		2	1.47	37.29	4.13	104.90	1.54	39.22	1.15	29.08	0.25	6.35	0.44	11.10
	07	1	1.47	37.29	3.13	79.50	2.23	56.64	2.11	53.67	0.88	22.23	1.03	26.14
		2	1.47	37.29	4.13	104.90	2.23	56.64	2.11	53.67	0.88	22.23	1.03	26.14
	01	1	1.59	40.46	3.13	79.50	1.92	48.67	1.55	39.40	0.50	12.70	0.75	19.05
		2	1.59	40.46	4.13	104.90	1.92	48.67	1.55	39.40	0.50	12.70	0.75	19.05
	02	1	1.59	40.46	3.13	79.50	2.00	50.80	1.77	44.96	0.63	15.88	0.81	20.62
		2	1.59	40.46	4.13	104.90	2.00	50.80	1.77	44.96	0.63	15.88	0.81	20.62
	03	1	1.59	40.46	3.13	79.50	2.00	50.80	1.77	44.96	0.63	15.88	0.94	23.80
		2	1.59	40.46	4.13	104.90	2.00	50.80	1.77	44.96	0.63	15.88	0.94	23.80
	04	1	1.59	40.46	3.88	98.55	2.23	56.64	2.11	53.67				

Miniature Cylindrical MIL-DTL-26482, Series 2

MIL-DTL-26482, SERIES 2
CRIMP CONTACTS

Contact Size	Wire Range		Socket Contacts	Pin Contacts
	AWG	mm ²	Military Part Number	Military Part Number
20	24-20	0.2-0.6	M39029/5-115	M39029/4-110
16	20-16	0.5-1.4	M39029/5-116	M39029/4-111
12	14-12	2-3	M39029/5-118	M39029/4-113

CONTACT CURRENT RATING AND RETENTION

Contact Size*	DC Test Amperage	Contact Retention	
		Axial Load	
		lb.	N
20	7.5	19.99	88.95
16	13.0	25	111.2
12	23.0	30	133.4

*Operating individual circuits to maintain heat rise within operating temperature requirements.

SEALING PLUGS

Contact Size	Sealing Plugs
	Military Part Number
20	MS27488-20
16	MS27488-16
12	MS27488-12

CRIMPING TOOLS

Contact Size	Wire Range		Finished Wire Dia. Range		Crimping Tool Part Number	Turret or Positioner Part Number
	AWG	mm ²	Inch	mm		
20	24-20	0.2-0.6	.040-.083	1.02-2.11	M22520/1-01 or M22520/2-01	M22520/1-02 or M22520/2-02
16	20-16	0.5-1.4	.053-.103	1.34-2.62	M22520/1-01	M22520/1-02
12	14-12	2-3	.097-.158	2.46-4.01	M22520/1-01	M22520/1-02

INSERTION/REMOVAL TOOLS

Size	Color Code	Military Part Number
20	Red/White	M81969/14-11
16	Blue/White	M81969/14-03
12	Yellow/White	M81969/14-04

NOTE: Each connector is furnished with contacts. One spare for inserts requiring 1 to 20 of each contact, two spares for inserts with more than 26 contacts, and a minimum of one sealing plug up to 15% of the number of contacts.

Metal Insertion & Extraction tool part no.

SR.NO	CONTACT SIZE	METAL INSERTION TOOL		METAL EXTRACTION TOOL	
		MILITARY NO.	DMC P/N	MILITARY NO.	DMC P/N
1	20	M81969/8-202	DAK83-20B	M81969/8-206	DAK83-20B
2	16	M81969/8-207	DAK83-16B	M81969/8-208	DAK83-16B
3	12	M81969/8-209	DAK83-12B	M81969/8-2010	DAK83-12B



	1.	2.	3.	4.	5.	6.	7.
MIL-DTL-26482 SERIES 2	CONNECTOR TYPE	CONNECTOR STYLE	SERVICE CLASS	SHELL SIZE/INSERT ARRANGEMENT	CONTACT TYPE	ALTERNATE ROTATION OF INSERT	MODIFICATION NUMBER
MILITARY	MS	3470	W	12-10	P	W	NA
COMMERCIAL	IMB1	0	W	12-10	P	W	(xxx)

Step 1 Military Connector Type

MS	Designates Military Standard
-----------	------------------------------

Step 1 Commercial Connector Type

IMB1	Designates Amphenol Bayonet Coupling Connector
-------------	--

Step 2 Select a Connector Style

	Designates
3470	Wall Mount Receptacle with Narrow Flange
3471	Cable Connecting Receptacle
3472	Wall Mount Receptacle with Wide Flange
3474	Jam Nut Receptacle
3475	Straight Plug with RFI Grounding Fingers
3476	Straight Plug

Step 2 Select a Connector Style

	Designates Military Standard
0	Wall Mount Receptacle with Narrow Flange
1	Cable Connecting Receptacle
2	Wall Mount Receptacle with Wide Flange
4	Jam Nut Receptacle
5	Straight Plug with RFI Grounding Fingers
6	Straight Plug

Step 3 Select a Service Class

	Designates
L	Aluminum shell, electroless nickel finish, fluid resistant insert.
A	Aluminum shell, black anodized finish.
W	Aluminum shell, olive drab cadmium plated, fluid resistant insert.

Step 3 Select a Service Class

	Designates
L	Aluminum shell, electroless nickel finish, fluid resistant insert.
A	Aluminum shell, black anodized.
W	Aluminum shell, olive drab cadmium plated, fluid resistant insert.

Step 4 Select a Shell Size & Insert Arrangement from chart on page Shell Size & Insert Arrangements are on pages 6-8 First number represents Shell Size, second number is the Insert Arrangement.

Step 4 Select a Shell Size & Insert Arrangement from chart on page Shell Size & Insert Arrangements are on pages 6-8 First number represents Shell Size, second number is the Insert Arrangement.

Step 5 Select a Contact Type

	Designates
P	Pin Contacts
S	Socket
A	Less Pins
B	Less Sockets

Use A & B only when other than a full complement of power contacts is to be installed.

Step 5 Select a Contact Type

	Designates
P	Pin Contacts
S	Socket Contacts

Step 6 Select an Alternate Rotation of Insert "W", "X", "Y", "Z" designate that insert is rotated in its shell from normal position. No letter required for normal (no rotation) position. See page for description of alternate positions.

Step 6 Select an Alternate Rotation of Insert "W", "X", "Y", "Z" designate that insert is rotated in its shell from normal position. No letter required for normal (no rotation) position. See page for description of alternate positions.

Step 7 Modification Number
Consult Factory.

Notes :

Notice : All information, including illustrations given herein is believed to be accurate at the time of printing. In lieu of design advances, Amphenol reserves the right to change specifications without notice. This publication ACSE206-05-14, Series 2 supercedes all existing Amphenol literature on Series 2 Connectors.

NORTH AMERICA

Sales & Product Support

Amphenol PCD
72 Cherry Hill Drive
Beverly, MA 01915 USA
Tel: +1-978-624-3400
Fax: +1-978-927-1513
info@amphenolpcd.com
www.amphenolpcd.com
www.backshellworld.com

Amphenol Aerospace Operations
40-60, Delaware Avenue
Sidney, NY 13838-1395
Tel: +1-607-563-5011
Fax: +1-607-563-5357

Amphenol Canada
Meford Drive
Scarborough,
ON M1B 2X6
Tel: +416-291-4401
Fax: +416-292-0647

Amphenol Fiber Systems International
1300 Central Expressway North
Suite 100 Allen, Texas 75013, USA
Tel: +1-214-547-2400
Fax: +1-214-547-9344

EUROPE

France

Amphenol Socapex S.A.S.
948, Promenade de l'Arve
Bp29, Thyez Cedex
74311, France
Tel: +33-4-5089-2800
Fax: +33-4-5096-1941

United Kingdom

Amphenol Limited
Thanet Way, Whitstable
Kent CT5 3JF, England
Tel: +44-1227-773-200
Fax: 44-1227-276-571

Germany

Amphenol-Air LB GmbH
Am Kleinbahnhof 4
Saarlouis
D-66740, Germany
Tel: 49-6831-9810-00
Fax: 49-6831-9810-30

Italy

Via Barbaiana 5
20020 Lainate (Milano)
Italy
Tel: +39-02-93254.209
+39-02-93254.214
Fax: +39-02-93254-444

Center & East Europe

Amphenol
Wiener Gasse 68
2380 Perchtoldsdorf
Tel: +43-699-10396071
Fax: +43 699 40396071

Amphenol Air-LB
Immeuble Le Doublon
11, Avenue Dobonnet
Courbevoie-Cedex
92407, France
Ph: +33-1-4905-3000
Fax: +33-1-4905-3043

Spain

Amphenol Iberica
Edificio Burgosol Oficina
N 55 C/Comunidad de
Madrid 35 bis -
Las Rozas (Madrid)
Tel: +34-91-6407302
+34-91-6407306
Fax: +34-91-6407307

Austria

Amphenol Austria
Wiener Gasse 68
2380, Erchtoldsdorf,
Austria
Tel: + 43-69910396071
Fax: + 43-69940306071

Holland

Amphenol Benelux
Zademaker 121
NL-2401 PD Alphen
aan den Rijn Holland
Tel: +31-172-444903
Fax: +31-172 240254

Sweden

Amphenol
Industrial and Military &
Aerospace
Nordic & Baltic
Military Phone/
Mobile+46702129200
Industrial +46 767909560

ASIA

India

Amphenol Interconnect India Pvt. Ltd.
105 Bhosari Industrial Area
Pune-411026, India
Tel: +91-20-3068-8305
Fax: +91-20-2712-9158

Amphenol Interconnect India Pvt. Ltd.
61 Electronics City
Bangalore-560 100, India
Ph: +91-80-2852-3838
Fax: +91-80-2852-0418

Japan

Amphenol Japan
471-1, Deba, Ritto City
Shiga 520-3041, Japan
Tel: +81-77-553-8501
Fax: +81-77-551-2200

Korea

Amphenol Daeshin Electronics
558 SoSa, SongNae, Bucheon-City
Kyunggi-Do, Korea 420-130
Tel: +82-32-610-3800
Fax: +92-32-673-2507

Singapore

Amphenol East Asia Ltd.
72 Bendemeer Road
03-33 Luzerne
Singapore 339 941
Tel: 65-6294-2128
Fax: 65-6294-3522

China

Amphenol PCD Shenzhen
3/F Building, A4 Songbai
Industrial Park
East Road of Minghuan
Gongming Town, Baon District
Shenzhen, China
Tel: +86-755-8173-8000
Fax: +86-755-8173-8180

ROW

Australia

Amphenol Australia Pty Ltd
2 Fiveways Boulevard
Keysborough
VIC 3173
Ph: +61-3-8796-8888
Fax: +61-3-8796-8801

Israel

Bar-Tec Ltd.
P.O. Box 279
Kfar Sava, 44102 Israel
Tel: +972-9-7644100
Fax: +972-9-7674324

Africa

Amphenol South Africa
30 Impala Road
2196 Sandton-Chistlehurst
South Africa
Tel: +27-11-783-9517
Fax: +27-11-783-9519

Maslak

34396 Istanbul
Tel: +90-212-335-2501
Fax: +90-212-335-2500

Russia

Amphenol Russia
8-2 Yaroslavskaja Str
129164 Moscow, Russia
Tel: +7-495-937-6341
Fax: +7-495-937-6319

Brazil

Amphenol do Brasil Ltda
Rua Diogo Moreira 132
CEP 05423-010
Sao Paulo-SP, Brazil
Tel: +55-11-3815-1003
Fax: +55-11-3815-1629

Argentina

Amphenol Argentina
Avenida Callao 930
2nd Floor, Office B Plaza
C1023AAP Buenos Aires
Argentina
Tel: 54-11-4815-6886
Fax: 54-11-4814-5779

Amphenol

A Global Company



Pune Operations



Bangalore Operations

Amphenol

Interconnect India Pvt. Ltd.

Our offices in India:

MARKETING HEADQUARTERS

105, Bhosari Industrial Area,
Pune - 411 026.
Tel.: 91- 020 - 67360303, 67360304
Fax : 91 - 020 - 67360321
Email : vbhavsar@amphenol-in.com
sales@amphenol-in.com

Southern Region

No. 1115, 22nd Main Road,
11th Cross Sector-1, HSR Layout
Bangalore 560 102
Tel.: 91-80-49530341, 49530345
Fax : 91-80-49538697
Email : kmanoj@amphenol-in.com

Northern and Eastern Region

A-421, Pacific Business Park
Plot No. 37/1, Sahibabad Indst. Area, Site IV,
Ghaziabad (UP) - 201 010.
Mobile : 91-9910211399
Email : sunily@amphenol-in.com

Export

105, Bhosari Industrial Area,
Pune - 411 026, India.
Tel.: 91- 20 - 67360305, 67360353
Fax : 91- 20 - 67360321
Email : svpatil@amphenol-in.com

Western Region

105, Bhosari Industrial Area,
Pune - 411 026.
Tel.: 91-20-67360334
Email : sunilp@amphenol-in.com

Central Region

107, 1st Floor, 'Am Sri Classic',
Sarojinidevi Road, Secunderabad-500 003.
Telefax : 91- 40-66332906
Email : pprasad@amphenol-in.com

Kolkatta

Mobile: 91- 9831533335
Email : rajeshd@amphenol-in.com

Chennai

Mobile: 91- 9940039373
Email : subashs@amphenol-in.com

www.amphenol-in.com

Looking for pricing, stock, or lifecycle information?

Click below to explore more details on WIN SOURCE:

- ⊖ [View MS3476L22-55P on WIN SOURCE](#)
- ⊖ [Amphenol Aerospace Operations Information](#)

Optimize Your Supply Chain with WIN SOURCE Solutions

- ✓ Global Sourcing Solution
- ✓ Obsolete Management
- ✓ Cost Control Management
- ✓ Shortage Management
- ✓ Alternative Solution
- ✓ Excess Inventory Management