



THE DATASHEET OF
3-2172079-2



THIS DRAWING IS UNPUBLISHED.
 VERTRÄULICHE UNVERÖFFENTLICHTE ZEICHNUNG
 © COPYRIGHT 2014 Tyco Electronics AMP GmbH

RELEASED FOR PUBLICATION
 FREI FÜR VERÖFFENTLICHUNG
 2014
 ALL RIGHTS RESERVED.
 ALLE RECHTE VORBEHALTEN.

MATED WITH
 PASSEND ZU:

DIESE ZEICHNUNG IST EIN KONTROLLIERTES DOKUMENT.
 BEMASSUNGEN UND TOLERANZEN GEMAESS GPS (ISO STANDARDS).

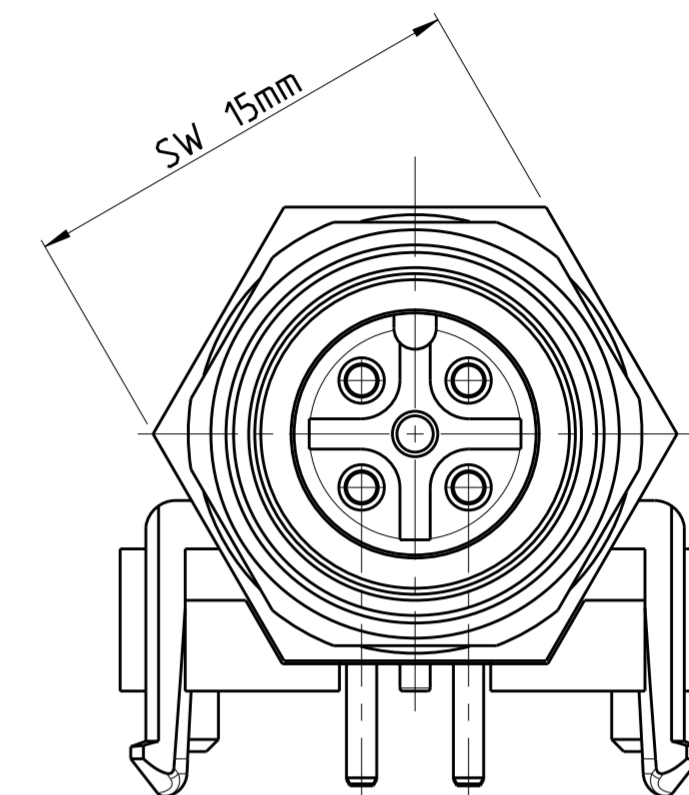
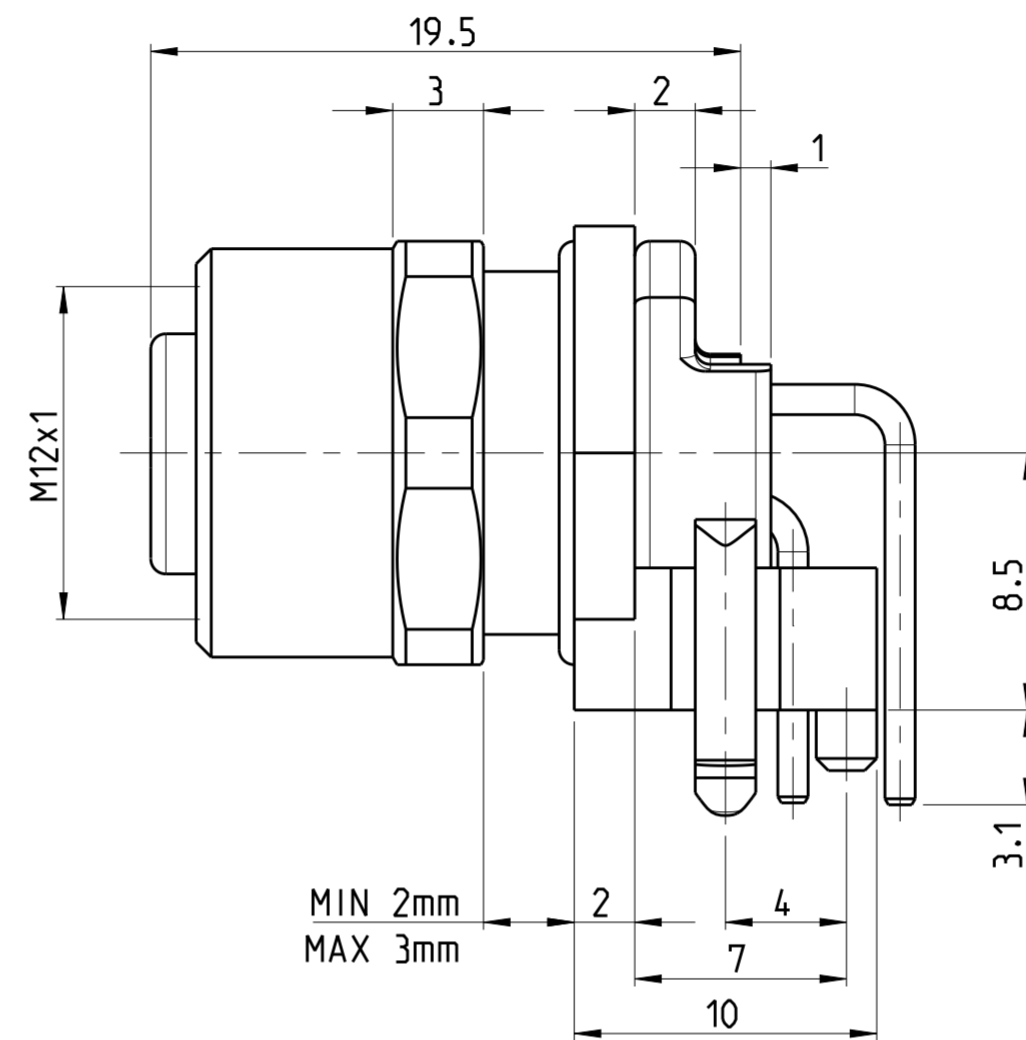
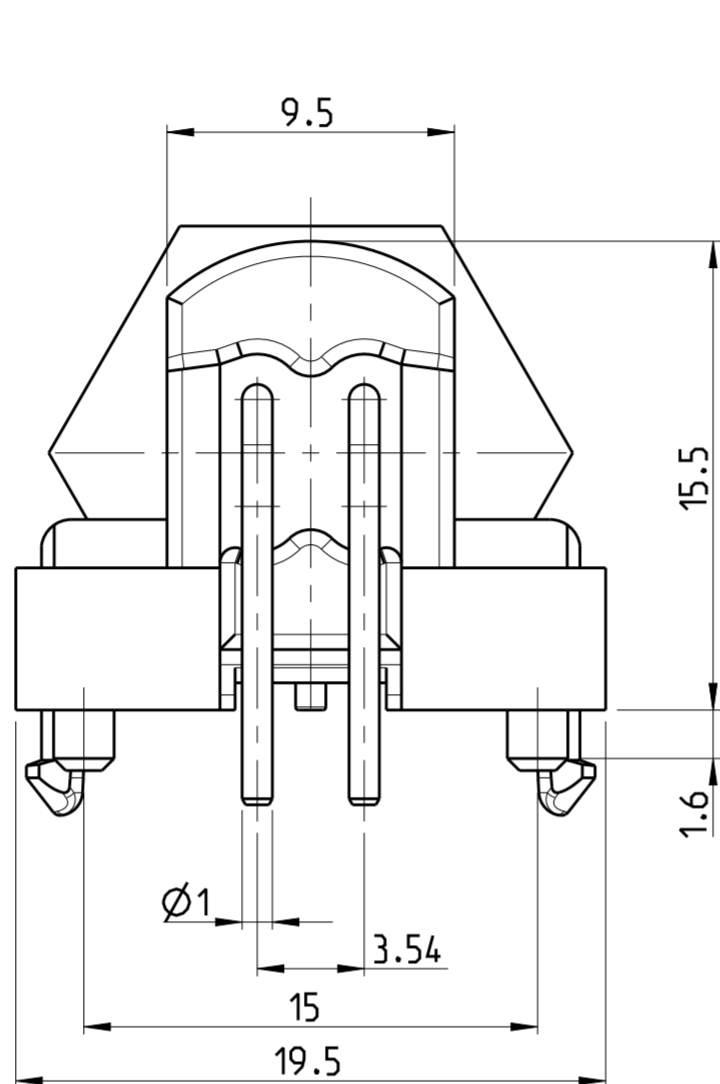
PROJEKT NR.:
 PRJ-11-000004377

REVISIONS		DATE	DWN	APVD
ÄNDERUNGEN				
P	LTR	DESCRIPTION		
BESCHREIBUNG				
A		NEW RELEASE	27NOV2014	CR JK
A1		NUT SHELL AND 5P HOUSING PN INTRODUCED	23SEP2015	TJ NG

⚠ MATERIAL: ITEM NO. 1: NUT SHELL - CuZn (BRASS, NICKEL PLATED)
 ITEM NO. 2: HOUSING - PA
 ITEM NO. 3: CONTACT - CuZn (BRASS)
 CONTACT FINISH - Au (GOLD)

2 ALL DIMENSIONS ARE FOR NOMINAL REFERENCE ONLY UNLESS OTHERWISE STATED

TECHNICAL DATA	3-2172079-2	4-2172079-2	5-2172079-2
RATED VOLTAGE	250V	125V	60V
RATED IMPULSE VOLTAGE	2500V	1500V	800V
POLLUTION DEGREE	3	3	3
OVERVOLTAGE CATEGORY	II	II	II
MATERIAL GROUP	III	III	III
RATED CURRENT	4A	4A	2A
VOLUME RESISTIVITY	≤ 3mΩ	≤ 3mΩ	≤ 3mΩ
DEGREE OF PROTECTION	IP68	IP68	IP68
UPPER TEMPERATURE	+85 °C	+85 °C	+85 °C
LOWER TEMPERATURE	-40 °C	+40 °C	+40 °C

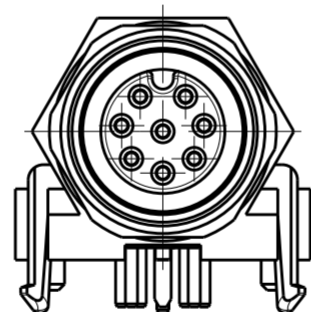
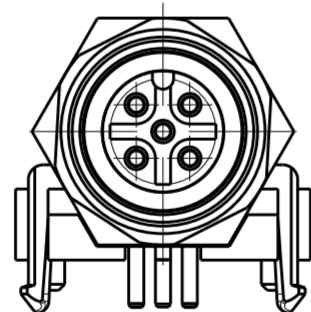
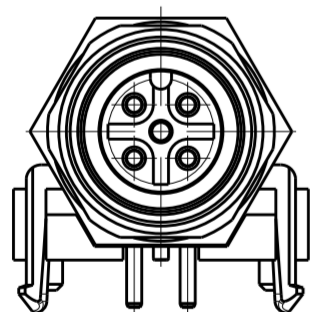


PIN ARRANGEMENT
 A-CODING (SCALE 2:1)

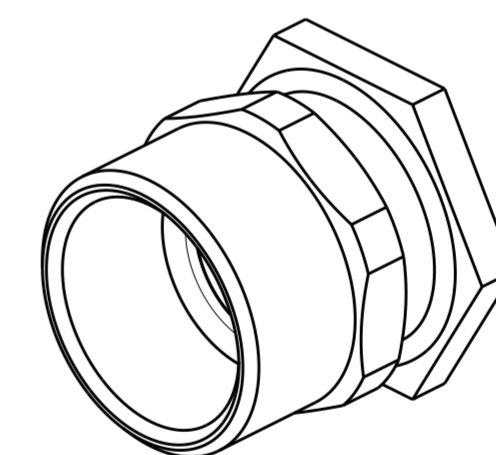
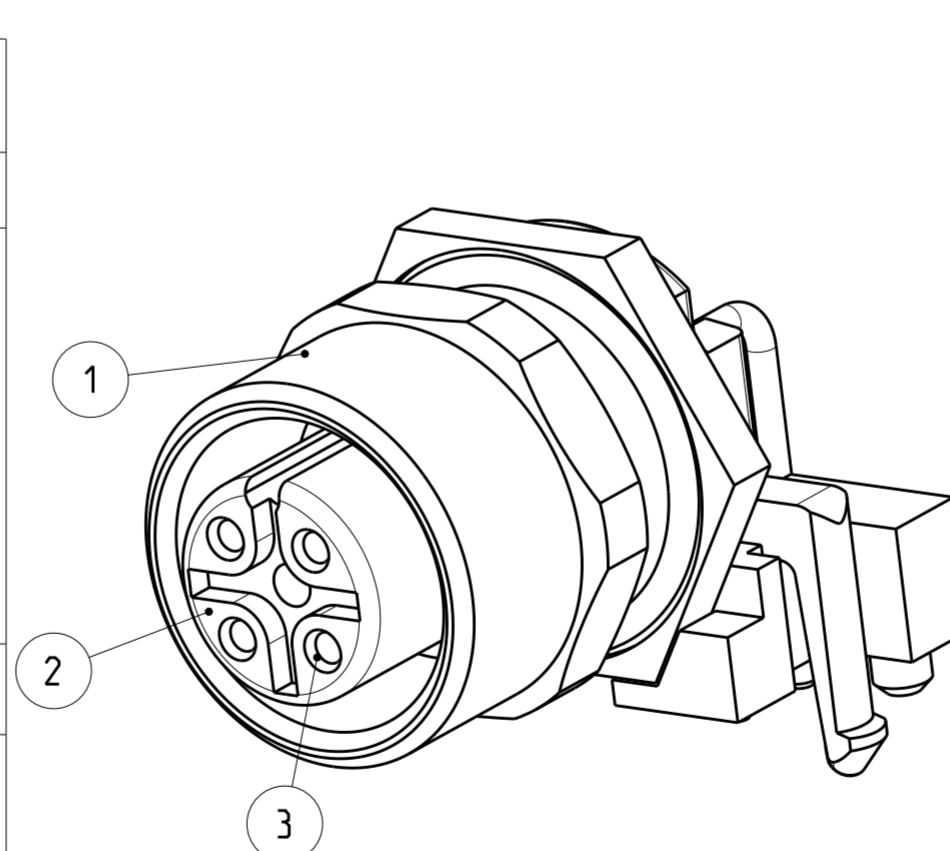
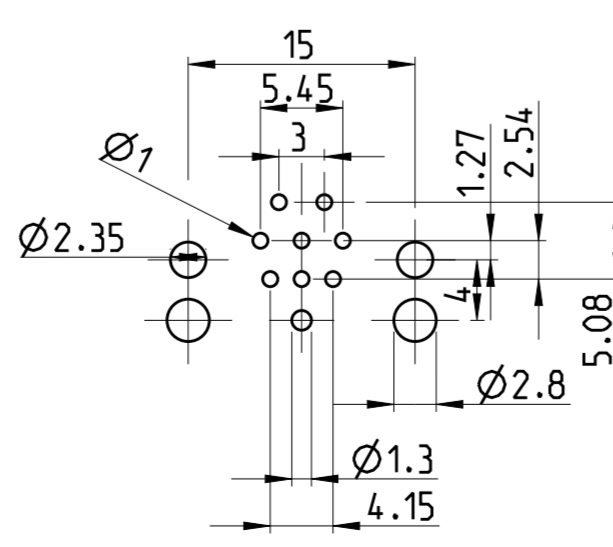
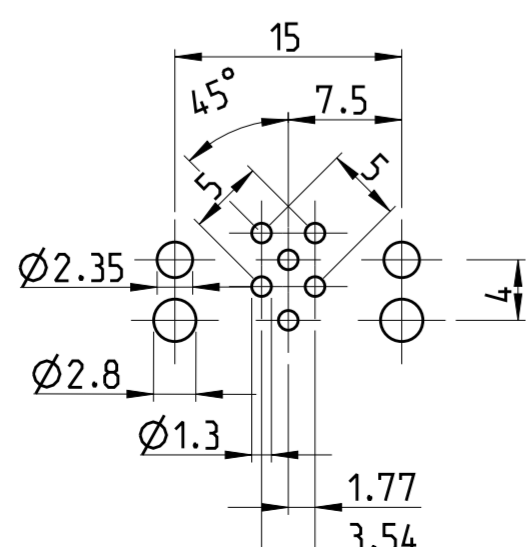
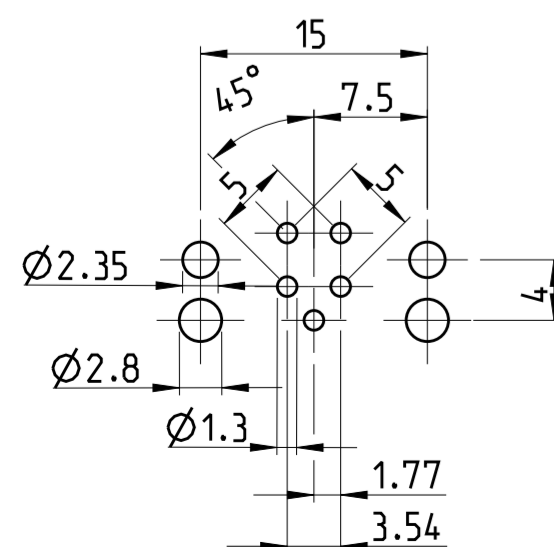
3-2172079-2

4-2172079-2

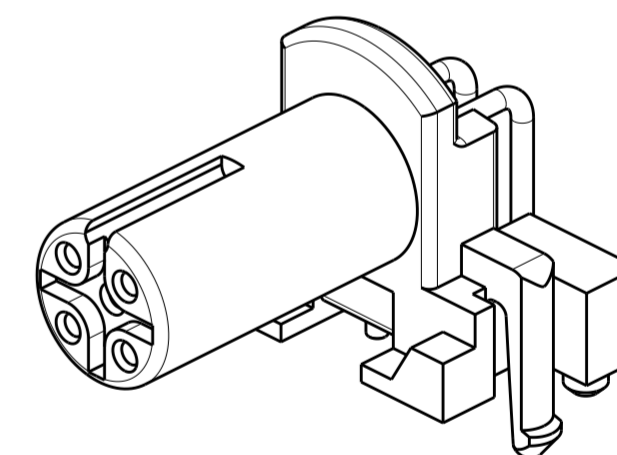
5-2172079-2



CONDUCTOR LAYOUT



NUT SHELL
 PN 2172079-3



REFER TABLE FOR
 HOUSING PN

ALSO SOLD SEPARATELY

⚠	8	5-2172079-2	
⚠	5	4-2172079-2	4-2172079-3
⚠	4	3-2172079-2	
MATERIAL	NUMBER OF POLES	PART NUMBER	HOUSING PN

THIS DRAWING IS A CONTROLLED DOCUMENT.
 DIMENSIONING AND TOLERANCING PER GPS (ISO STANDARDS).

DIMENSIONS:
 MASSEINHEITEN: (MM)

TOLERANCES UNLESS OTHERWISE SPECIFIED:
 ALLGEMEINTOLERANZEN

0 PLC ±
 1 PLC ±
 2 PLC ±
 3 PLC ±
 4 PLC ±
 ANGLES/WINKEL ±
 FINISH/OBERFLÄCHE/FARBE

MATERIAL: -

DWN YASHKUMAR 09AUG2014
 CHK M. BRUBAKER 09AUG2014
 APVD M. BRUBAKER 09AUG2014

PRODUCT SPEC: 108-19483
 APPLICATION SPEC: 114-32127

WEIGHT: -
 GEWICHT: -

Customer Drawing

STE TE Connectivity

NAME: M12 RECEPTACLE, FEMALE, PCB MOUNT, PANEL MOUNT, ANGLED, SHIELDED, WITH STANDOFF, A-CODED

SIZE: A2
 CAGE CODE: 00779
 DRAWING NO: C-2172079
 ZEICHNUNGS-NR.

RESTRICTED TO MUR FÜR: -

SCALE: 3:1
 MASSSTAB: 3:1
 SHEET: 1 OF 1
 BLATT: 1 VON 1
 REV: A1

SIZE ISO 14405 (E)

Looking for pricing, stock, or lifecycle information?

Click below to explore more details on WIN SOURCE:

 [View 3-2172079-2 on WIN SOURCE](#)

 [TE Connectivity](#) Information

Optimize Your Supply Chain with WIN SOURCE Solutions

-  Global Sourcing Solution
-  Obsolete Management
-  Cost Control Management
-  Shortage Management
-  Alternative Solution
-  Excess Inventory Management