



**THE DATASHEET OF
DEA252450BT-2109C3**

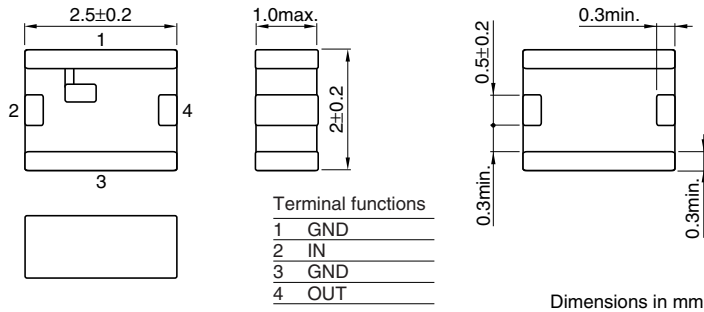


Multilayer Chip Band Pass Filters For Bluetooth & 2.4GHz W-LAN

Conformity to RoHS Directive

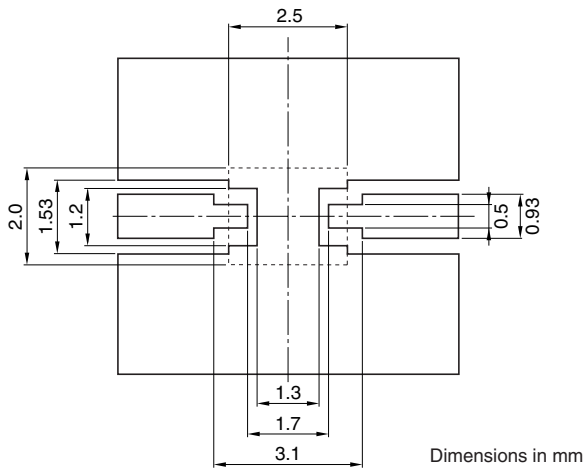
DEA Series DEA252450BT-2109C3

SHAPES AND DIMENSIONS



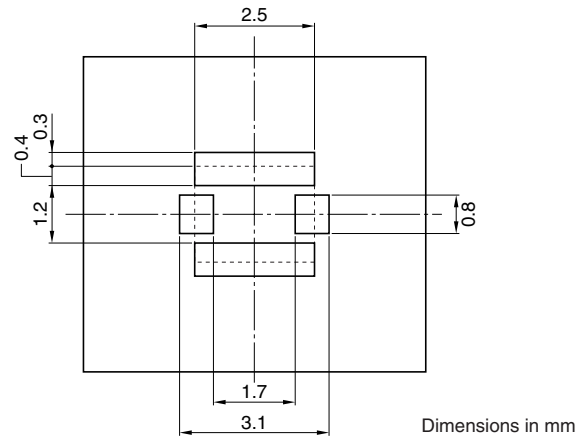
RECOMMENDED PC BOARD PATTERNS

LAND



Line width be designed to match 50Ω characteristic impedance, depending on PCB material and thickness.

SOLDER RESIST



- Conformity to RoHS Directive: This means that, in conformity with EU Directive 2002/95/EC, lead, cadmium, mercury, hexavalent chromium, and specific bromine-based flame retardants, PBB and PBDE, have not been used, except for exempted applications.

- All specifications are subject to change without notice.

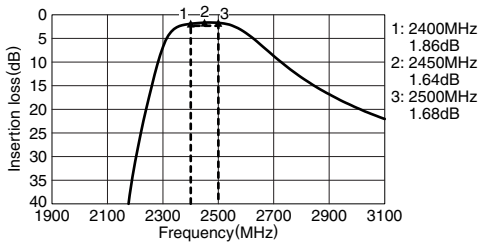
ELECTRICAL CHARACTERISTICS

Item		Minimum value	Typical value	Maximum value	
Frequency range(Pass band)	(MHz)	2400	—	2500	
Characteristic impedance(Pass band)	(Ω)	—	50[Nominal]	—	
Insertion loss(Pass band)	[+25°C]	—	—	2.3	
	[-40 to +85°C]	—	—	2.5	
Return loss(Pass band)	(dB)	10	—	—	
	[DC to 76MHz]	(dB)	45	—	—
	[76 to 108MHz]	(dB)	45	—	—
	[480MHz]	(dB)	45	—	—
	[746 to 764MHz]	(dB)	45	—	—
	[776 to 794MHz]	(dB)	45	—	—
	[824 to 849MHz]	(dB)	45	—	—
	[869 to 880MHz]	(dB)	45	—	—
	[880 to 915MHz]	(dB)	45	—	—
	[925 to 960MHz]	(dB)	45	—	—
	[1570 to 1580MHz]	(dB)	43	—	—
	[1710 to 1785MHz]	(dB)	44	—	—
	[1805 to 1850MHz]	(dB)	40	—	—
	[1850 to 1910MHz]	(dB)	40	—	—
	[1920 to 1980MHz]	(dB)	38	—	—
	[1980 to 1990MHz]	(dB)	38	—	—
[2110 to 2170MHz]	(dB)	30	—	—	
[2750 to 3000MHz]	(dB)	5	—	—	
[3000 to 4800MHz]	(dB)	15	—	—	
[4800 to 5000MHz]	(dB)	30	—	—	
[5150 to 5850MHz]	(dB)	30	—	—	
[7200 to 7500MHz]	(dB)	20	—	—	
Temperature range	Operating	(°C)	-40	+85	
	Storage	(°C)	-40	+85	

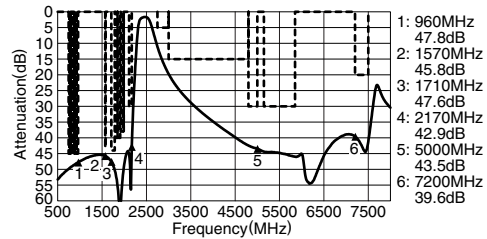
• Ta: +25°C

FREQUENCY CHARACTERISTICS

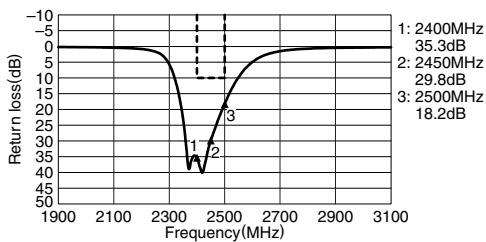
INSERTION LOSS



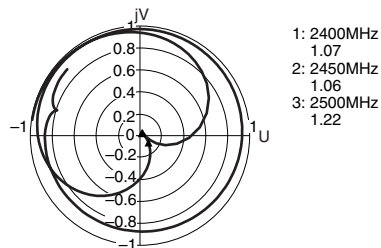
ATTENUATION



RETURN LOSS





VSWR



• All specifications are subject to change without notice.

Looking for pricing, stock, or lifecycle information?

Click below to explore more details on WIN SOURCE:

-  [View DEA252450BT-2109C3 on WIN SOURCE](#)
-  [TDK Corporation Information](#)

Optimize Your Supply Chain with WIN SOURCE Solutions

-  Global Sourcing Solution
-  Obsolete Management
-  Cost Control Management
-  Shortage Management
-  Alternative Solution
-  Excess Inventory Management