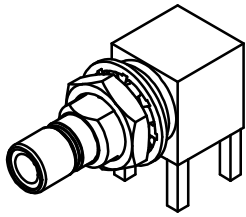


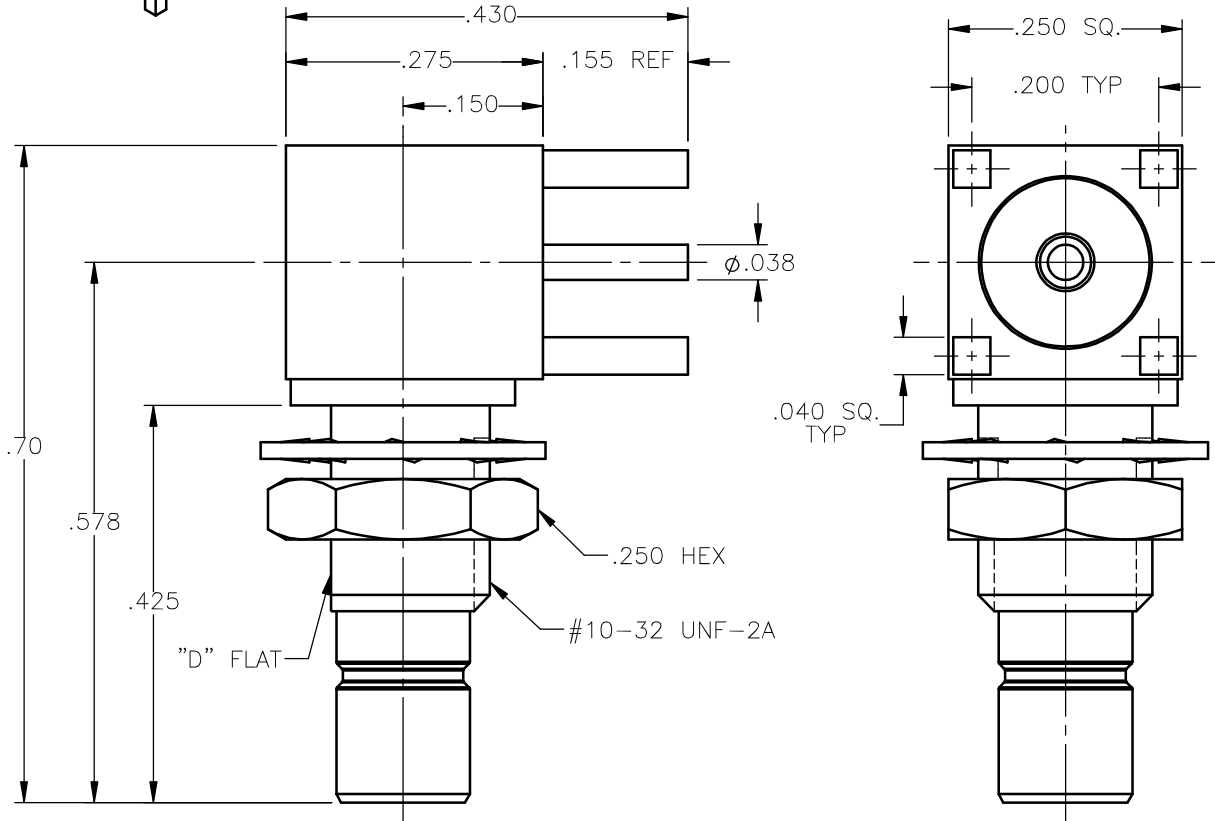


THE DATASHEET OF
2110-7511-000





REVISIONS			
REV.	DESCRIPTION	DATE	APPROVED
A	INITIAL RELEASE	12/18/14	D.N.





NOTES:

MATERIALS:

1. INSULATORS = VIRGIN WHITE TEFLON PER ASTM D1710, GRADE 1, TYPE I, CLASS "B".
2. LOCKWASHER = PHOSPHOR BRONZE PER ASTM B139, COPPER ALLOY C53400, TEMPER H04.
3. ALL OTHER METAL PARTS = BRASS PER ASTM B16, ALLOY C36000, TEMPER H02.

FINISHES:

1. CONTACTS = GOLD PLATE PER ASTM B488-01, TYPE II, 50µin MIN, GRADE C, OVER 100 TO 200µin STRESS FREE SULFAMATE NICKEL PER QQ-N-290.
2. ALL OTHER METAL PARTS = NICKEL PLATE PER QQ-N-290, 50µin MIN, GRADE G, EXCEPT 100 TO 200µin THICK OVER 50 TO 100µin THICK COPPER PER MIL-C-14550.

UNLESS OTHERWISE SPECIFIED DIMENSIONS ARE IN INCHES TOLERANCES ON		DWN: D.N.	DATE: 12/18/14	 Property of Radiall This document cannot be reproduced or communicated to a third party without prior written permission of RADIALL.		
		CHKD: J.S.	DATE: 12/18/14			
DECIMAL	ANGLE	APVD: J.M.	DATE: 12/18/14	SMB RIGHT ANGLE MALE JACK BULKHEAD MOUNT P.C.B. RECEPTACLE		
REFERENCE:	MATERIALS & FINISHES:		SIZE: A			FSCM NO.: 19505
ORIGINATED: D.N. DATE: 12/18/14		SEE NOTES		SCALE: 5:1	THIRD ANGLE PROJECTION	SHEET 1 OF 1

2110-7511-000

Looking for pricing, stock, or lifecycle information?

Click below to explore more details on WIN SOURCE:

- [View 2110-7511-000 on WIN SOURCE](#)
- [Radiall USA, Inc. Information](#)

Optimize Your Supply Chain with WIN SOURCE Solutions

- ✓ Global Sourcing Solution
- ✓ Obsolete Management
- ✓ Cost Control Management
- ✓ Shortage Management
- ✓ Alternative Solution
- ✓ Excess Inventory Management