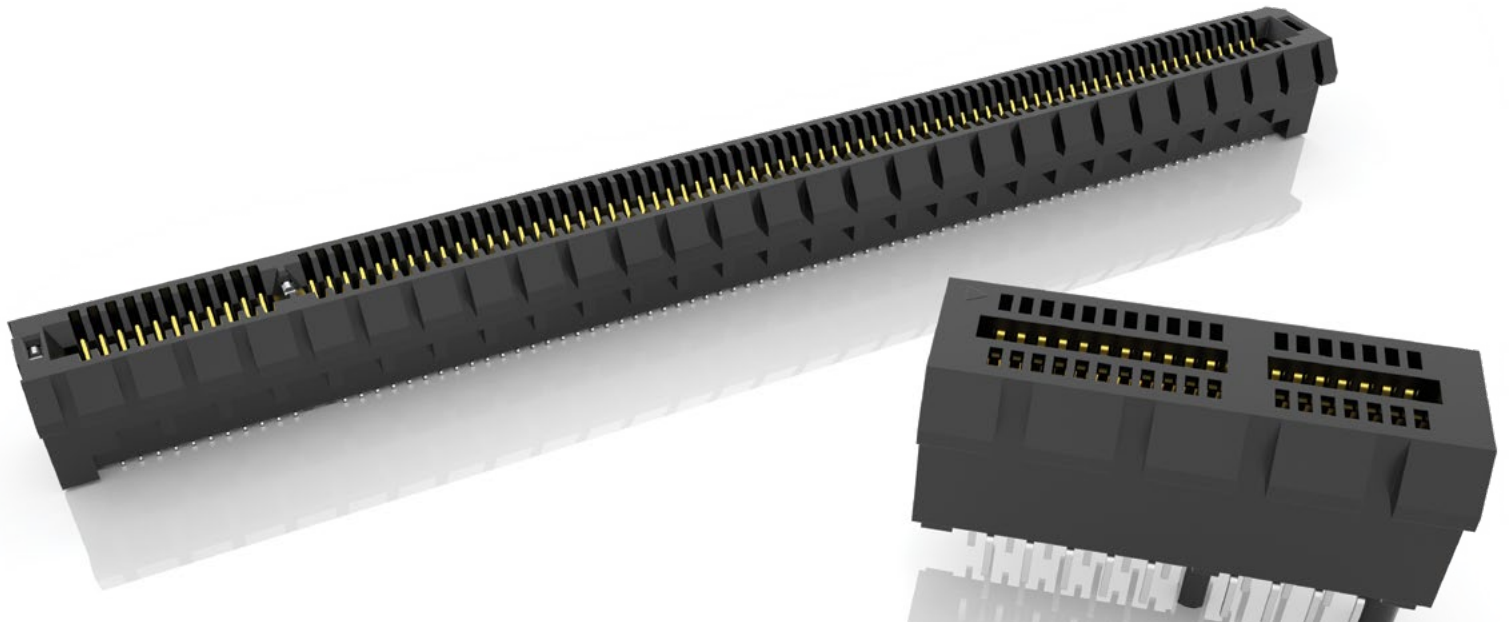






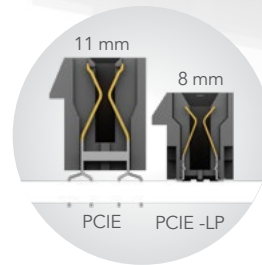
# PCI EXPRESS® EDGE CARD SOCKETS

(1.00 mm) .0394" PITCH



## FEATURES & BENEFITS

- 1.00 mm pitch
- Supports 1, 4, 8 and 16 PCI Express® links
- PCIe® 3.0 Solution (PCI-E)
- PCIe® 4.0 Solution with low profile design for space savings (PCI-E-LP)
- PCIe® 4.0 with slim body design (PCI-E-G4)
- PCIe® 5.0 Solution with differential pair signaling (PCI-E-G5)
- Vertical, right-angle and edge mount
- Mates with .062" (1.60 mm) thick cards
- Alignment pin and weld tab options



PCI-E® 3.0 & 4.0  
Edge Card  
connectors



PCI-E® 4.0 slim body  
socket with Edge Rate®  
contacts (PCI-E-G4)

## KEY SPECIFICATIONS

| SERIES   | TOTAL PINS (LANES)                      | INSULATOR MATERIAL                     | CONTACT MATERIAL | OPERATING TEMP RANGE | CURRENT RATING | VOLTAGE RATING | PCI-E® COMPATIBILITY |
|----------|---|--|------------------|----------------------|----------------|----------------|----------------------|
| PCI-E    | 36 (x1), 64 (x4),<br>98 (x8), 164 (x16) | -TH = Black Nylon<br>-EMS2 & -TH = LCP | Phosphor Bronze  | -55 °C to +125 °C    | 2.4 A (2 pins) | 215 VAC        | 3.0                  |
| PCI-E-LP | 36 (x1), 64 (x4),<br>98 (x8), 164 (x16) | LCP                                    | Phosphor Bronze  | -55 °C to +125 °C    | 2.1 A (2 pins) | 215 VAC        | 4.0                  |
| PCI-E-G4 | 36 (x1), 64 (x4),<br>98 (x8), 164 (x16) | LCP                                    | Copper Alloy     | -55 °C to +125 °C    | 2.2 A (2 pins) | 300 VAC        | 4.0                  |
| PCI-E-G5 | 36 (x1), 64 (x4),<br>98 (x8), 164 (x16) | LCP                                    | Copper Alloy     | -55 °C to +125 °C    | 3.2 A (2 pins) | 235 VAC        | 5.0                  |

**(1.00 mm) .0394" PITCH • PCI EXPRESS® CARD SOCKETS**

**PCIE** - **NUMBER OF POSITIONS** - **02** - **PLATING OPTION** - **D** - **TAIL OPTION**

**-036, -064, -098, -164**

**-F**  
= Gold flash on contact,  
Tin on tail

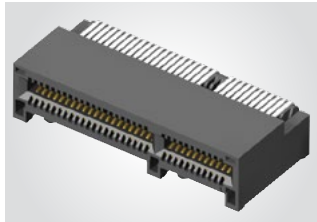
**-EMS2**  
= Edge Mount

**-TH**  
= Through-hole

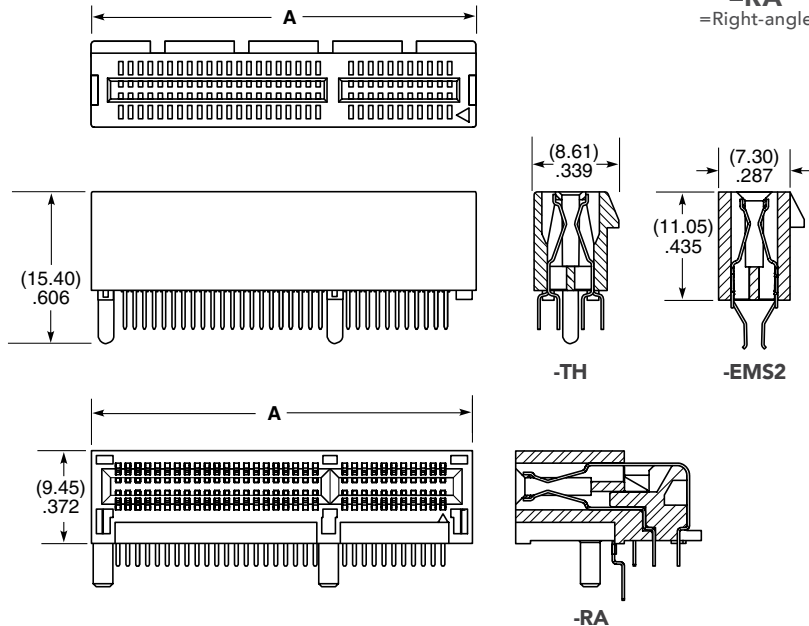
**-RA**  
= Right-angle

**PCIE**

**Card Mates:**  
(1.60 mm)  
.062" card  
**Cable Mates:**  
PCIEC



| POSITIONS         | A             |
|-------------------|---------------|
| <b>-036 (x1)</b>  | (25.00) .984  |
| <b>-064 (x4)</b>  | (39.00) 1.535 |
| <b>-098 (x8)</b>  | (56.00) 2.205 |
| <b>-164 (x16)</b> | (89.00) 3.504 |



View complete specifications at: [samtec.com?PCIE](http://samtec.com?PCIE)

**PCIE** - **LP** - **NUMBER OF LANES** - **01** - **PLATING OPTION** - **DV** - **A** - **OPTION** - **PACKAGING**

**-01, -04,  
-08, -16**

**-F**  
= Gold Flash on  
contact, Matte  
Tin on tail

**-S**  
= 30 μ" (0.75 μm)  
Gold on contact,  
Matte Tin on tail

**-WT**  
= Weld Tab

**-K**  
= Polyimide film  
Pick & Place Pad

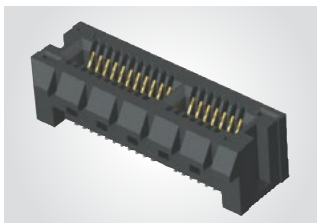
(For -16 lanes  
only leave blank for  
Tray Packaging)

**-TR**  
= Tape & Reel  
("X"R required with  
-01, -04, -08 lanes)

**-FR**  
= Full Reel  
Tape & Reel  
(must order max.  
quantity per reel;  
contact Samtec for  
quantity breaks)  
("X"R required with  
-01, -04, -08 lanes)

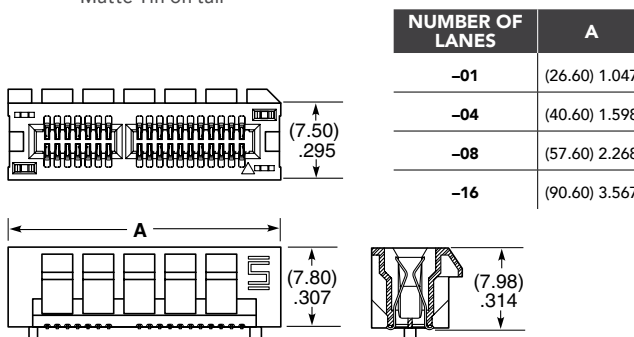
**PCIE-LP**

**Card Mates:**  
(1.60 mm)  
.062" card  
**Cable Mates:**  
PCIEC



PCI-SIG®, PCI Express® and the PCIe® design marks are registered trademarks and/or service marks of PCI-SIG.

**Note:**  
Some lengths, styles and options are non-standard, non-returnable.





| NUMBER OF LANES | A             |
|-----------------|---------------|
| <b>-01</b>      | (26.60) 1.047 |
| <b>-04</b>      | (40.60) 1.598 |
| <b>-08</b>      | (57.60) 2.268 |
| <b>-16</b>      | (90.60) 3.567 |

View complete specifications at: [samtec.com?PCIE-LP](http://samtec.com?PCIE-LP)

## Looking for pricing, stock, or lifecycle information?

Click below to explore more details on WIN SOURCE:

-  [View PCIE-098-02-F-D-TH on WIN SOURCE](#)
-  [Samtec Inc. Information](#)

## Optimize Your Supply Chain with WIN SOURCE Solutions

-  Global Sourcing Solution
-  Obsolete Management
-  Cost Control Management
-  Shortage Management
-  Alternative Solution
-  Excess Inventory Management