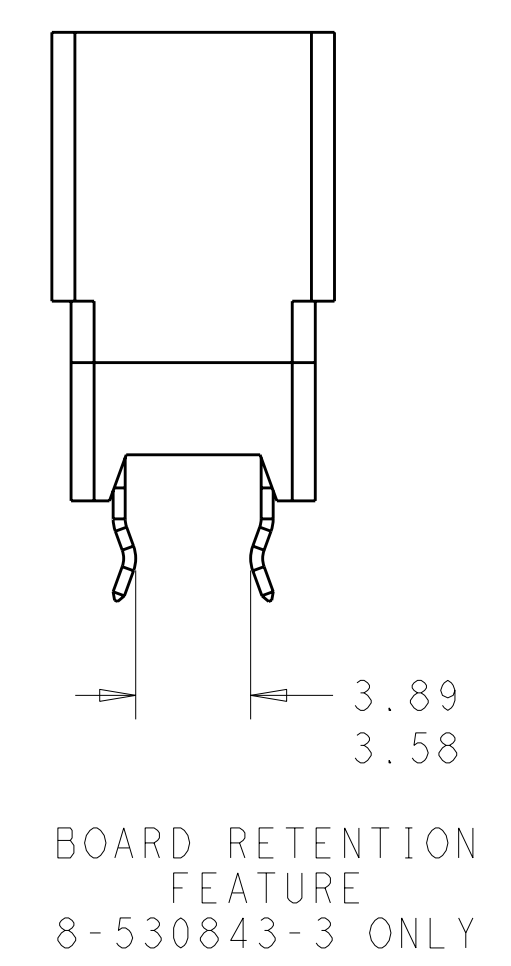
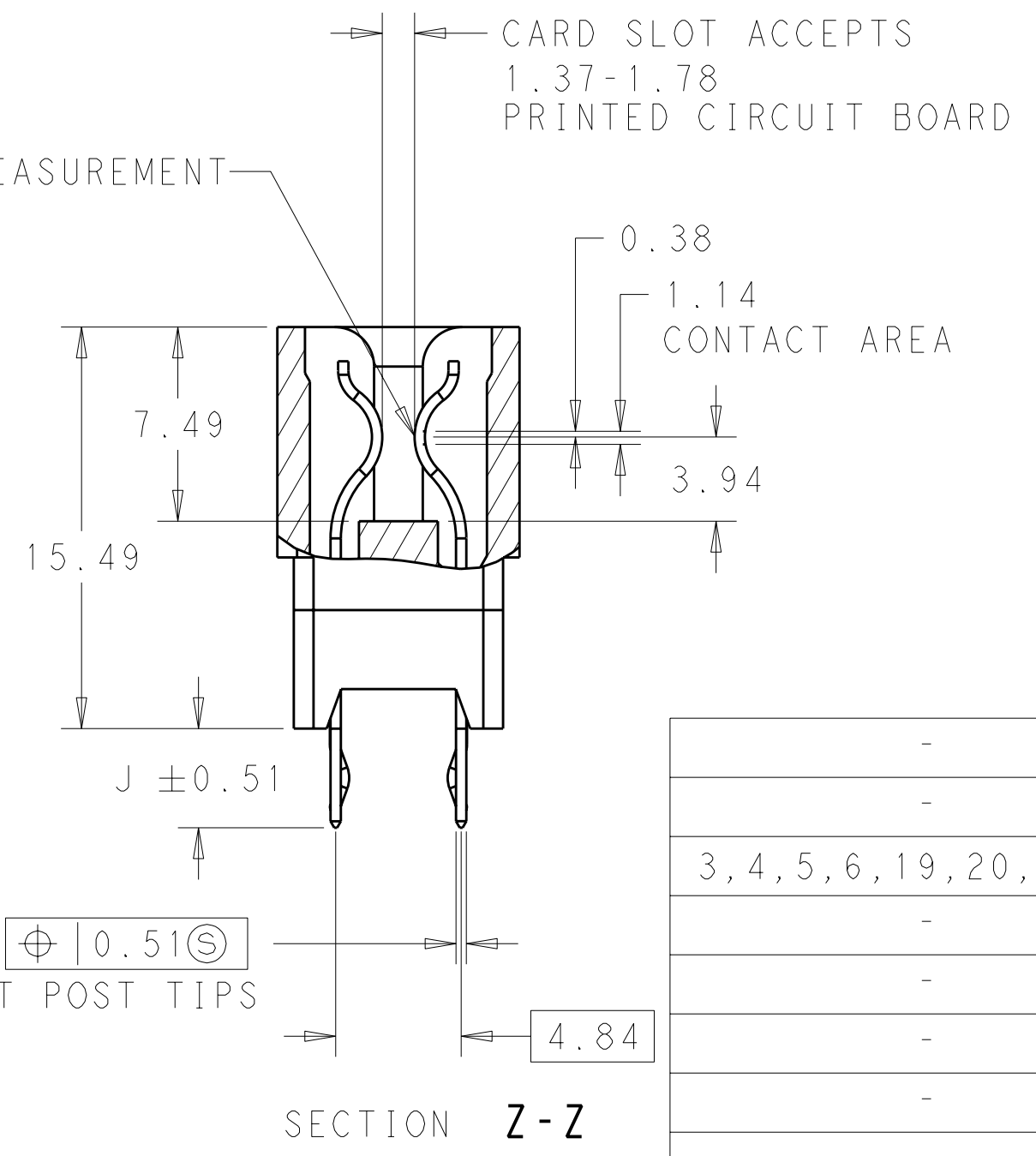
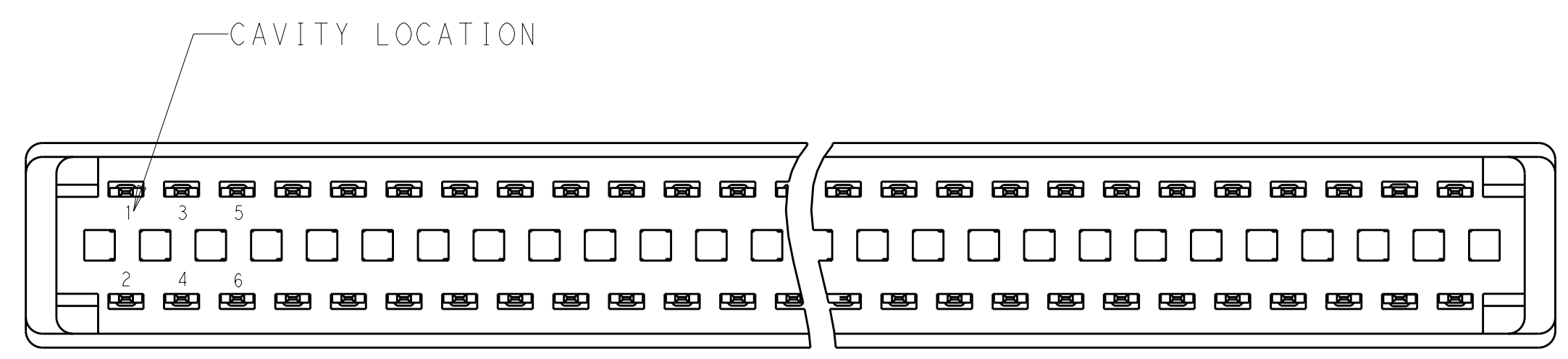
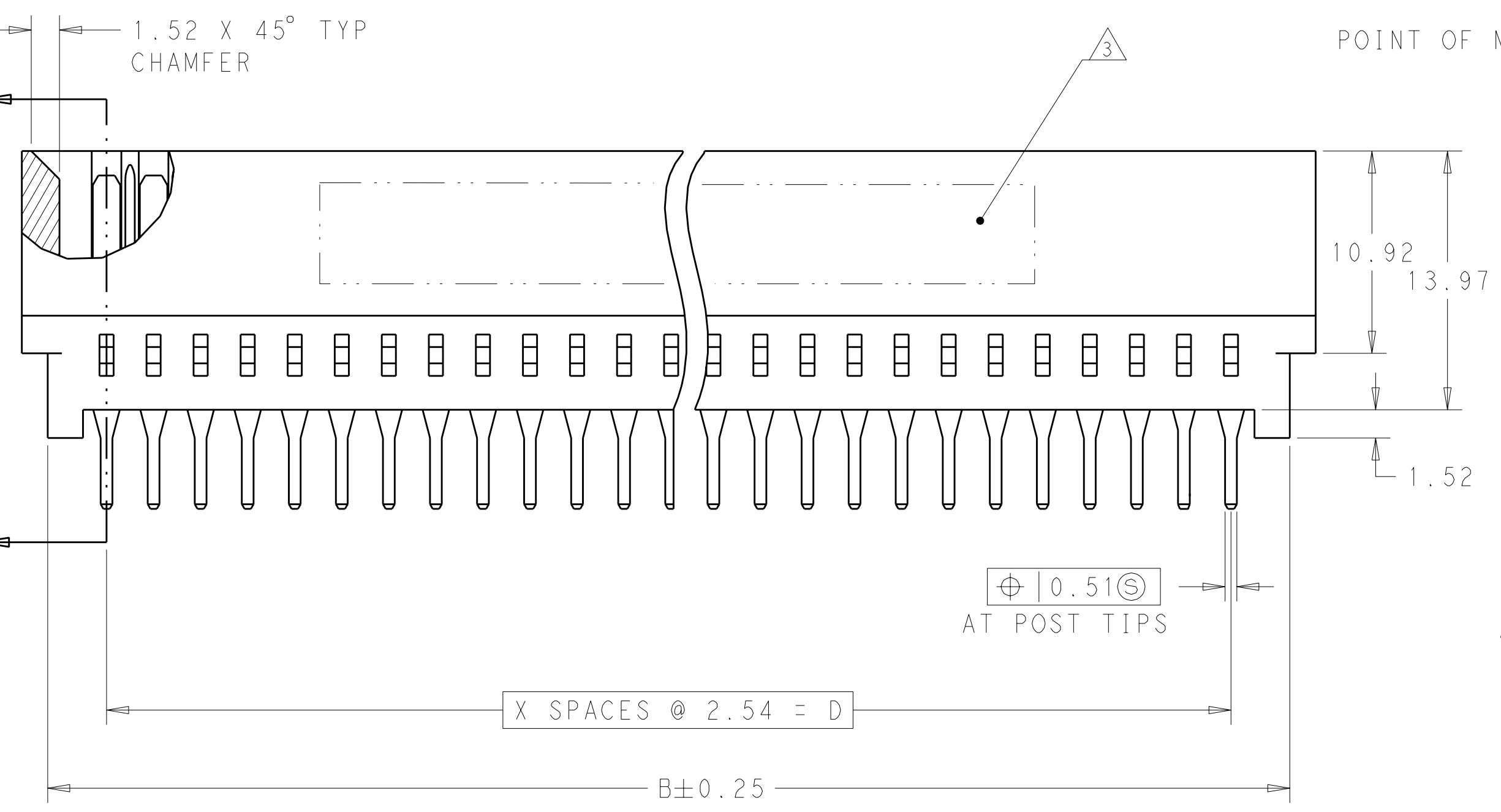
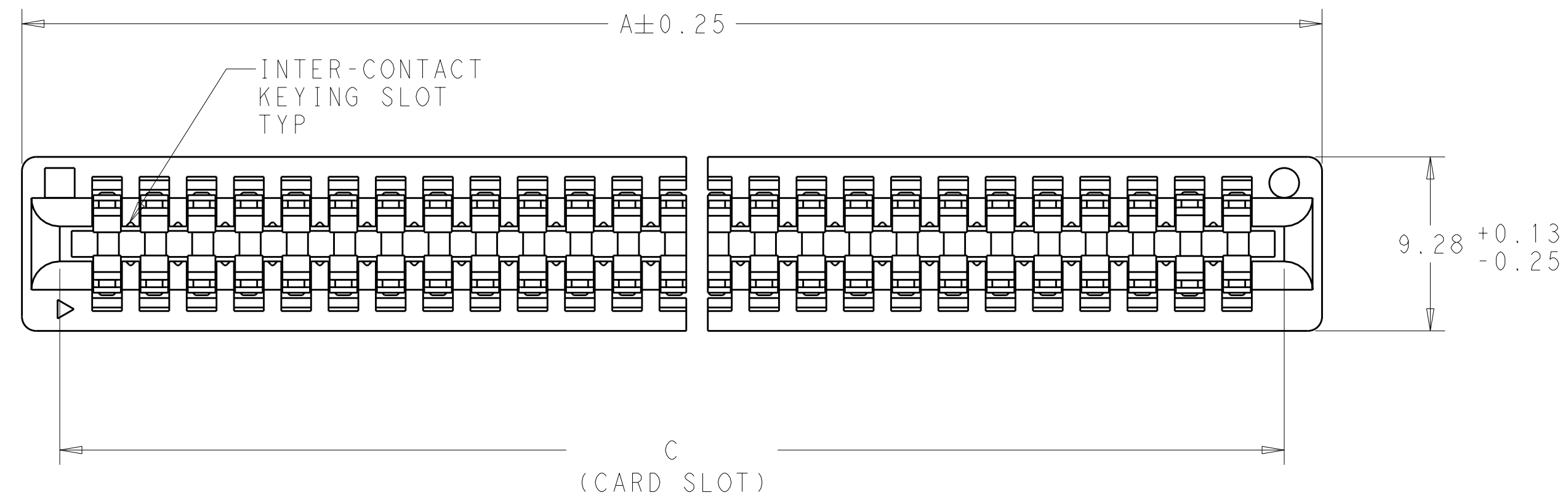




THE DATASHEET OF
5-530843-3



LOC	DIST	REV	DATE	BY	APPD
GP	00	1	11MAR2011	RK	HMR



- MATERIAL:
HOUSING: GLASS FILLED POLYESTER; COLOR: BLACK
CONTACT: PHOS BRONZE
- FINISH:
(SEE TABLE FOR GOLD PLATING) IN CONTACT AREA.
0.00254 MIN TIN-LEAD ON SOLDER POSTS, ALL
OVER 0.00127 MIN NICKEL
- AMP LOGO, TE CONNECTIVITY PART NUMBER, DATE CODE AND CSA LOGO INK STAMPED WHITE (HOT STAMPED OR LAZER PRINTED) IN THE APPROXIMATE AREA SHOWN, EITHER SIDE PERMISSABLE, WHEN HOUSING SIZE PERMITS
- RECOMMENDED PCB FINISHED HOLE DIAMETER = 1.02±0.08
- 0.00038 MIN
- 0.00076 MIN
- PRELIMINARY - NOT FOR PRODUCTION

OBSOLETE	8-530843-1
OBSOLETE	4-530843-1
OBSOLETE	1-530843-9
	PART NUMBER

-	6	19.96	3.18	15.24	20.32	21.59	24.38	6	7	8-530843-5
-	6	22.50	3.18	17.78	22.86	24.13	26.92	7	8	8-530843-4
3, 4, 5, 6, 19, 20, 21, 22	6	32.66	3.18	27.94	33.02	34.29	37.08	11	12	8-530843-3
-	6	9.80	4.75	5.08	10.16	11.43	14.22	2	3	8-530843-2
-	6	9.80	3.18	5.08	10.16	11.43	14.22	2	3	7-530843-7
-	6	17.42	4.75	12.70	17.78	19.05	21.84	5	6	7-530843-6
-	6	17.42	3.18	12.70	17.78	19.05	21.84	5	6	7-530843-5
-	5	80.92	3.18	76.20	81.28	82.55	85.34	30	31	7-530843-0
-	6	80.92	3.18	76.20	81.28	82.55	85.34	30	31	6-530843-5
-	6	154.58	3.18	149.86	154.94	156.21	159.00	59	60	5-530843-5
-	6	52.98	3.18	48.26	53.34	54.61	57.40	19	20	5-530843-4
-	6	45.36	3.18	40.64	45.72	46.99	49.78	16	17	5-530843-3
-	6	27.58	3.18	22.86	27.94	29.21	32.00	9	10	5-530843-0
-	6	47.90	3.18	43.18	48.26	49.53	52.32	17	18	2-530843-7
-	6	91.08	3.18	86.36	91.44	92.71	95.50	34	35	2-530843-3
-	6	129.18	4.75	124.46	129.54	130.81	133.60	49	50	2-530843-2
-	6	103.78	4.75	99.06	104.14	105.41	108.20	39	40	2-530843-0
-	6	78.38	4.75	73.66	78.74	80.01	82.80	29	30	1-530843-8
-	6	32.66	4.75	27.94	33.02	34.29	37.08	11	12	1-530843-2
-	6	111.40	3.18	106.68	111.76	113.03	115.82	42	43	1-530843-0
-	6	93.62	3.18	88.90	93.98	95.25	98.04	35	36	530843-8
-	6	78.38	3.18	73.66	78.74	80.01	82.80	29	30	530843-7
-	6	73.30	3.18	68.58	73.66	74.93	77.72	27	28	530843-6
-	6	68.22	3.18	63.50	66.04	67.31	70.10	24	25	530843-5
-	6	58.06	3.18	53.34	58.42	59.69	62.48	21	22	530843-4
-	6	47.90	3.18	43.18	48.26	49.53	52.32	17	18	530843-3
-	6	40.28	3.18	35.56	40.64	41.91	44.70	14	15	530843-2
-	6	32.66	3.18	27.94	33.02	34.29	37.08	11	12	530843-1
BOARD RETENTION FEATURE LOCATION (SEE DETAIL Y)	FINSIH	Z	J	D	C	B	A	X	NO. OF DUAL POSITIONS	PART NUMBER

THIS DRAWING IS A CONTROLLED DOCUMENT.

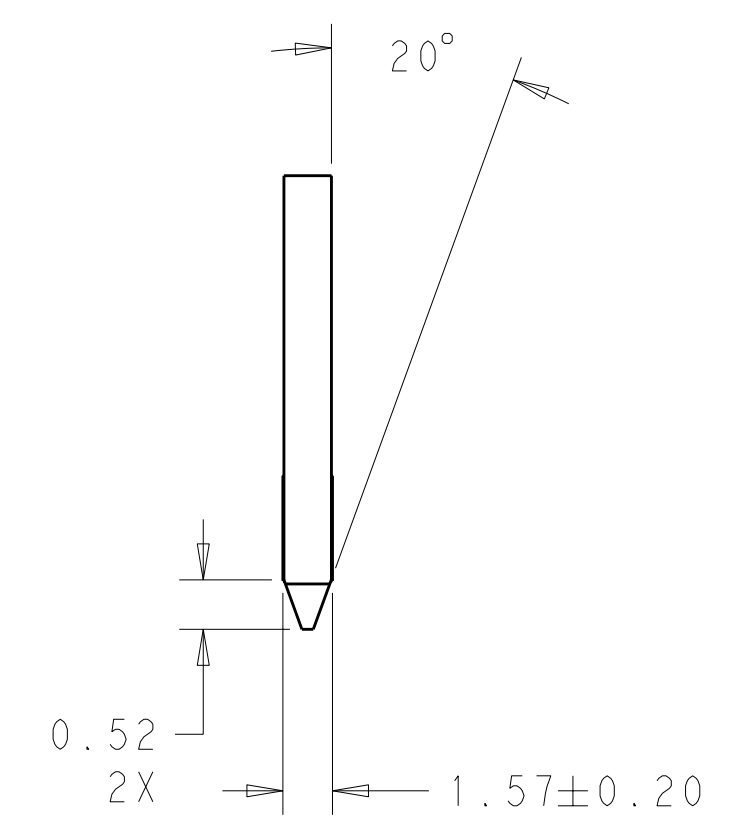
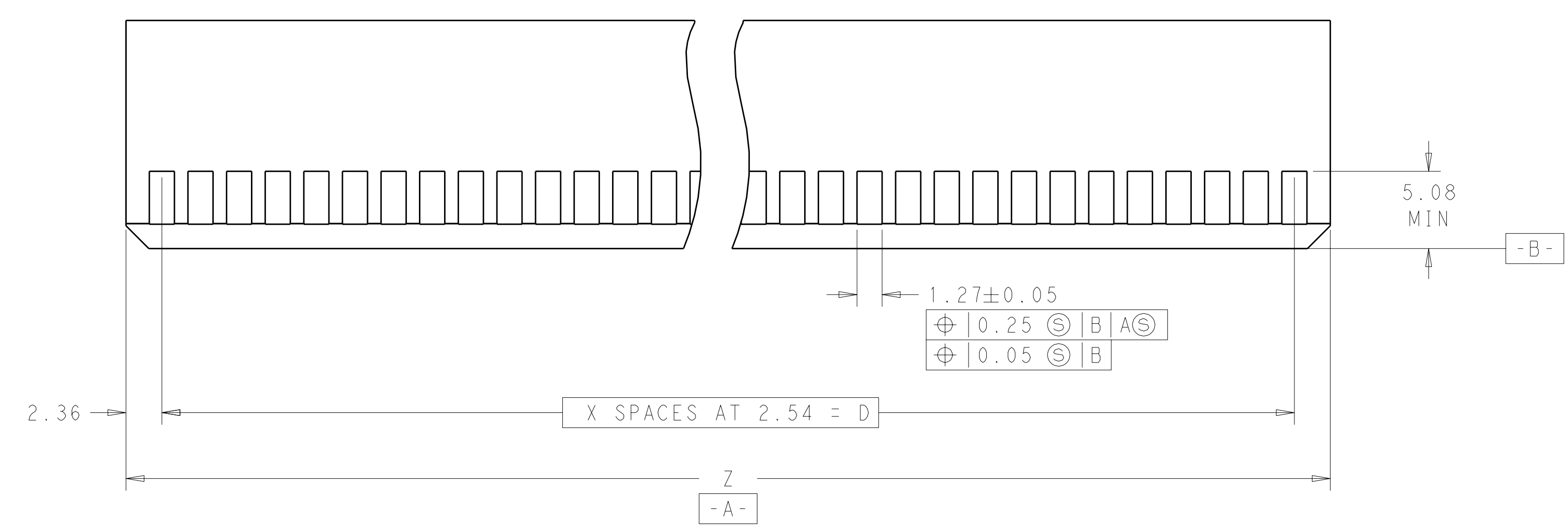
DATE: 11SEP2009
 DWG: MAYER/GBZYBOWSKI
 CHK: HOWARD
 APPD: PERCHERKE
 NAME: PERCHERKE

PRODUCT SPEC: 108-9039
 APPLICATION SPEC: 114-13018
 WEIGHT: -
 CUSTOMER DRAWING

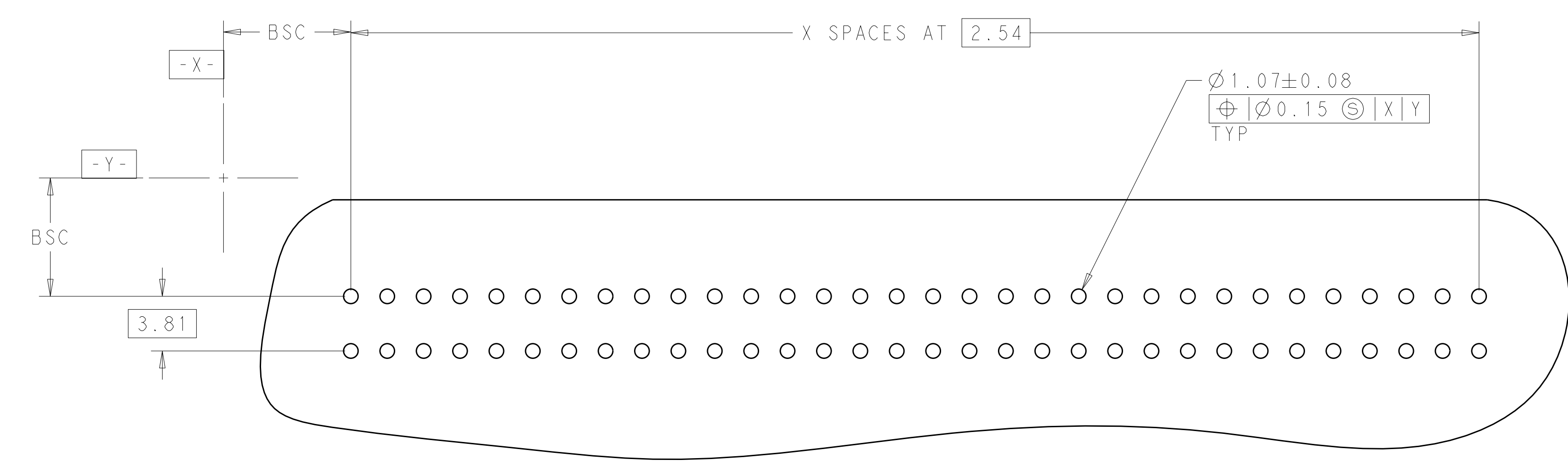
SCALE: 4:1
 SHEET: 1 OF 2
 REV: AT5

OBSOLETE
 NOT TO BE LATEST REVISION

LOC	DIST	REVISIONS			
GP	00	REV	DATE	BY	APPD
		-	-	-	-
		SEE SHEET 1			



RECOMMENDED MAIN BOARD EDGE CONFIGURATION




RECOMMENDED PC BOARD HOLE LAYOUT

THIS DRAWING IS A CONTROLLED DOCUMENT.		DWN: MAYER/GBZYBOWSKI 11SEP2009 CHK: HOWARD 11SEP2009		TE Connectivity	
DIMENSIONS: MM		TOLERANCES UNLESS OTHERWISE SPECIFIED:		NAME: CONNECTOR ASSEMBLY STANDARD EDGE, II 2.54 CENTERLINE	
		0 PLC ± 1 PLC ± 2 PLC ± 3 PLC ±0.13 4 PLC ± ANGLES ±° FINISH #2		PRODUCT SPEC: 108-9039 APPLICATION SPEC: 114-13018 WEIGHT: -	
MATERIAL: SEE NOTE 1		FINISH: SEE NOTE 2		SIZE: A100779 CAGE CODE: C=530843 DRAWING NO: CUSTOMER DRAWING	
4805 (3/11)		SCALE: 4:1		SHEET 2 OF 2 REV: AT5	

Looking for pricing, stock, or lifecycle information?

Click below to explore more details on WIN SOURCE:

 [View 5-530843-3 on WIN SOURCE](#)

 [TE Connectivity](#) Information

Optimize Your Supply Chain with WIN SOURCE Solutions

-  Global Sourcing Solution
-  Obsolete Management
-  Cost Control Management
-  Shortage Management
-  Alternative Solution
-  Excess Inventory Management