

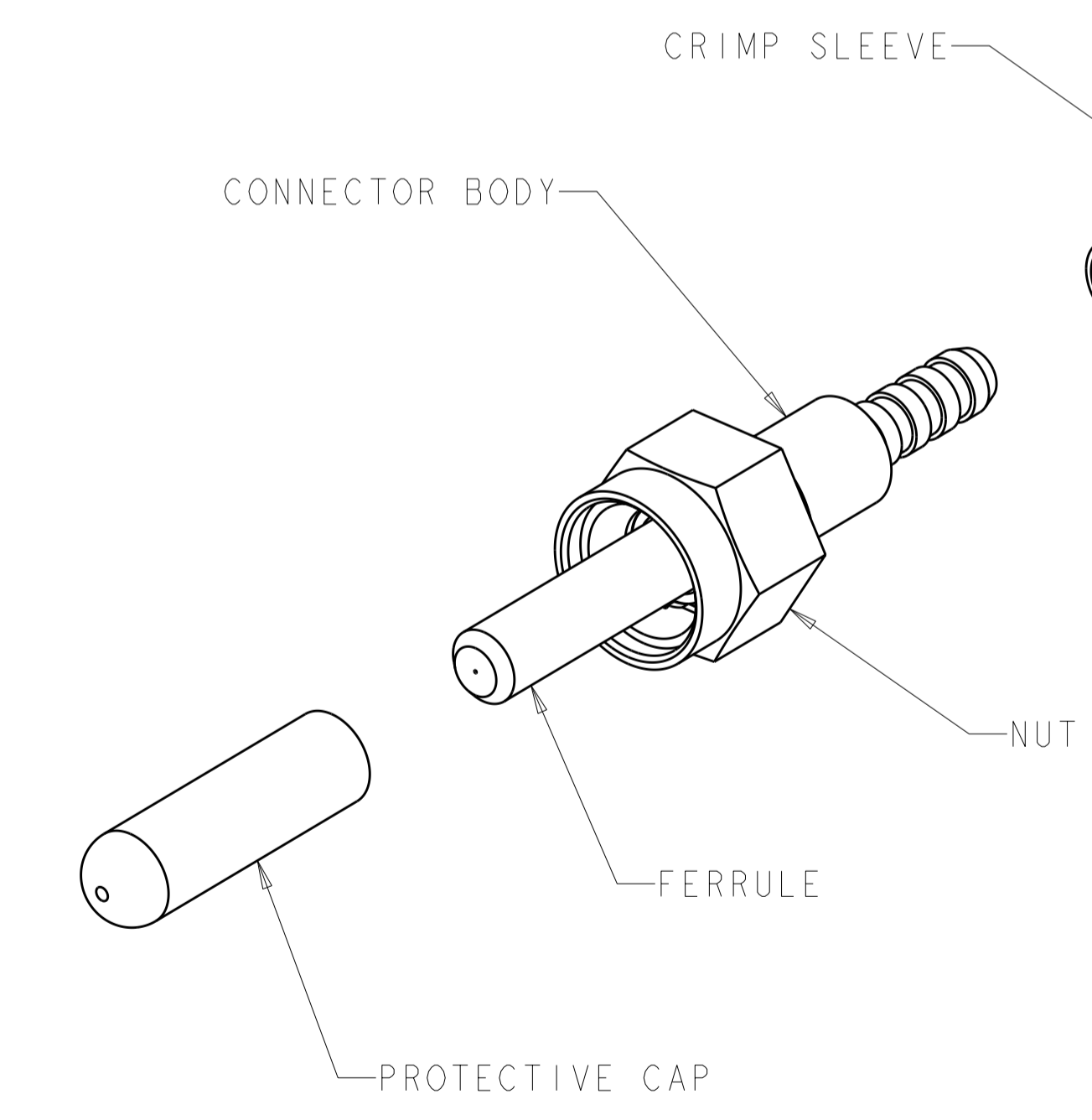
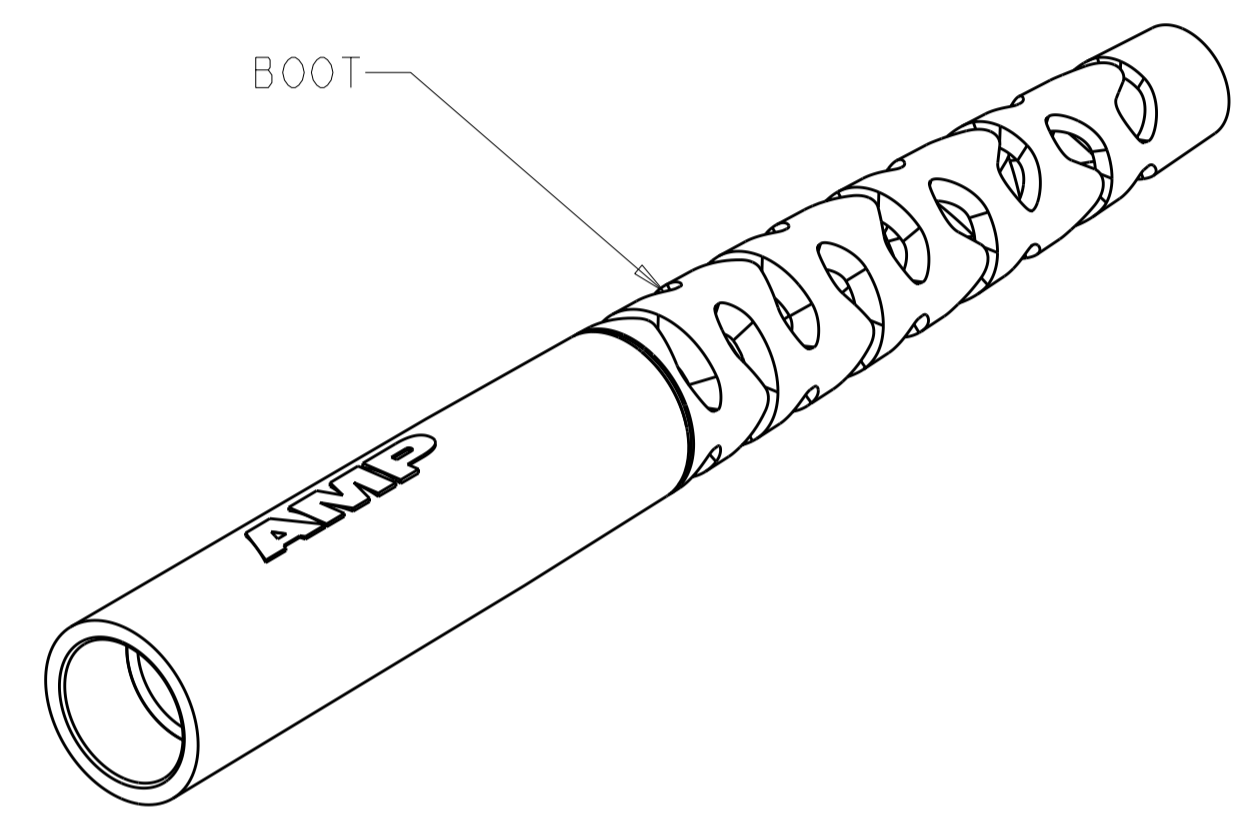
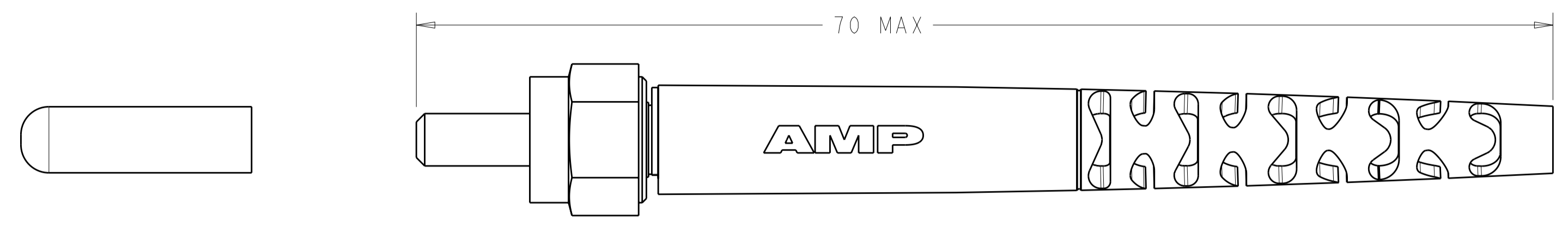


**THE DATASHEET OF**  
**3-5504566-0**



THIS DRAWING IS UNPUBLISHED. RELEASED FOR PUBLICATION 20  
 © COPYRIGHT 20 ALL RIGHTS RESERVED.

LOC	DIST	REVISIONS					
CE	00	P	LTR	DESCRIPTION	DATE	DWN	APVD
		CI		REVISE PER ECO-11-005139	29APR2011	RK	HMR



- ⚠ MATERIAL:
- CONNECTOR ASSEMBLY:
- FERRULE: STAINLESS STEEL
- REAR BODY: BRASS, NICKEL PLATED
- COUPLING NUT: BRASS, NICKEL PLATED
- CRIMP EYELET: BRASS, NICKEL PLATED
- BOOT: POLYOLEFIN ELASTOMER, COLOR: BLACK\*
- PROTECTIVE CAP: VINYL, COLOR: RED
- \*UL94 V-0 RATED AT QUALIFYING THICKNESS.
- 2. COUPLING NUT NORMAL TIGHTENING TORQUE RANGE IS 7.0 TO 10.0 in-lbf. DO NOT EXCEED 20 in-lbf.
- ⚠ CRIMP SLEEVE AND BOOT NOT SUPPLIED.

⚠ 3	1.48mm	4-5504566-3
	635um	4-5504566-2
	.042 in	3-5504566-1
	.039 in	3-5504566-0
	641um	2-5504566-8
	336um	1-5504566-4
	231um	5504566-7
	140um	5504566-2
	125um	5504566-1
	FIBER HOLE SIZE	PART NUMBER

THIS DRAWING IS A CONTROLLED DOCUMENT.

DIMENSIONS:	TOLERANCES UNLESS OTHERWISE SPECIFIED:	DWN B. BRIGGS 16 JUN 2005	TE Connectivity
mm	0 PLC ±	CHK L. SAUERWEIN 16 JUN 2005	
	1 PLC ±	APVD S. BUCHTER 16 JUN 2005	
	2 PLC ±	PRODUCT SPEC	
	3 PLC ±	APPLICATION SPEC	NAME CONNECTOR KIT, SMA 905, STAINLESS STEEL FRONT BODY, BRASS REAR BODY, 3.1mm CABLE
	4 PLC ±	WEIGHT	SIZE CAGE CODE DRAWING NO RESTRICTED TO
MATERIAL	ANGLES ±	CUSTOMER DRAWING	A200779 C-5504566
	FINISH	SCALE 4:1	SHEET 1 OF 1 REV C1

## Looking for pricing, stock, or lifecycle information?

Click below to explore more details on WIN SOURCE:

 [View 3-5504566-0 on WIN SOURCE](#)

 [TE Connectivity](#) Information

## Optimize Your Supply Chain with WIN SOURCE Solutions

-  Global Sourcing Solution
-  Obsolete Management
-  Cost Control Management
-  Shortage Management
-  Alternative Solution
-  Excess Inventory Management