



**THE DATASHEET OF  
246407052600846+**



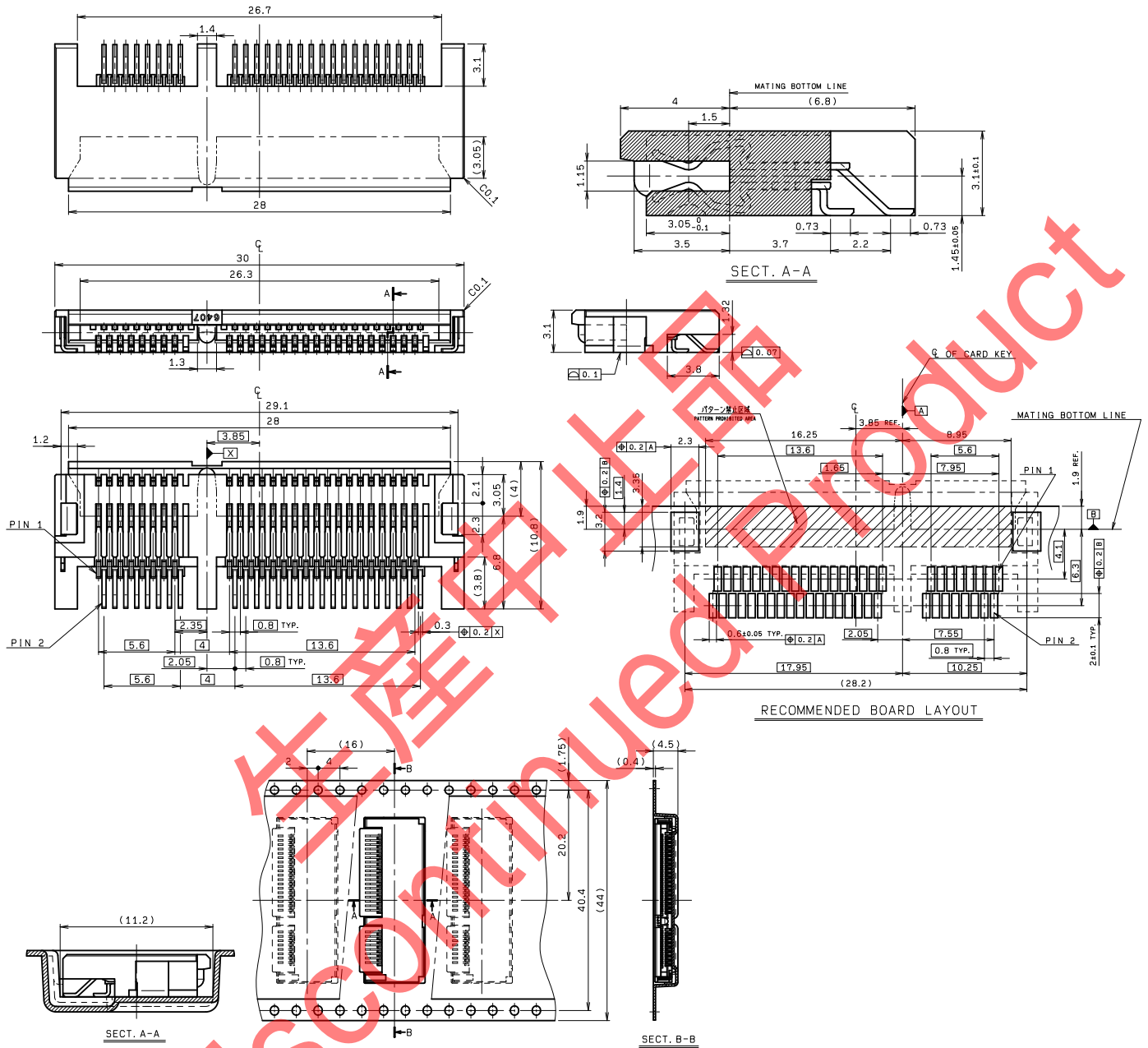


0.8mm Pitch

SERIES

# 6407

Mini-PCI Express Card 用コネクタ <リバース>  
Mini-PCI Express Card Connectors < Reverse >



注文コード / Ordering Code

Part No. 24 6407 052 600 846+

RoHS 対応品  
RoHS Compliant Product

極数 No. of Pos.

梱包数量: 1,400 個/リール

PACKING QUANTITY: 1,400/Reel



## Looking for pricing, stock, or lifecycle information?

Click below to explore more details on WIN SOURCE:

- ⊖ [View 246407052600846+ on WIN SOURCE](#)
- ⊖ [AVX Corp/Kyocera Corp Information](#)

## Optimize Your Supply Chain with WIN SOURCE Solutions

- ✓ Global Sourcing Solution
- ✓ Obsolete Management
- ✓ Cost Control Management
- ✓ Shortage Management
- ✓ Alternative Solution
- ✓ Excess Inventory Management