

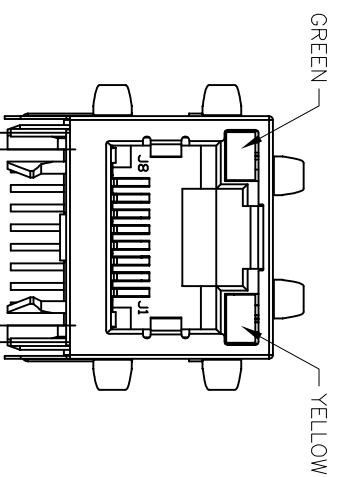
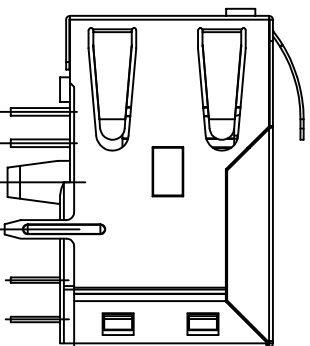
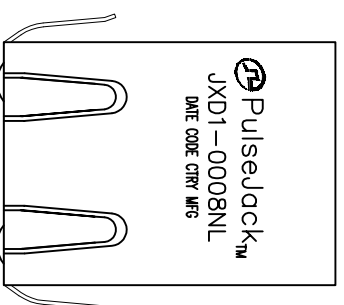
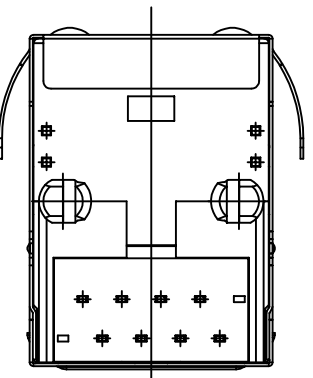


**THE DATASHEET OF
JXD1-0008NL**



CRO-INCHES MIN
 OMITTED SEE
 AND REGULATION
 SOLDERING
 IS

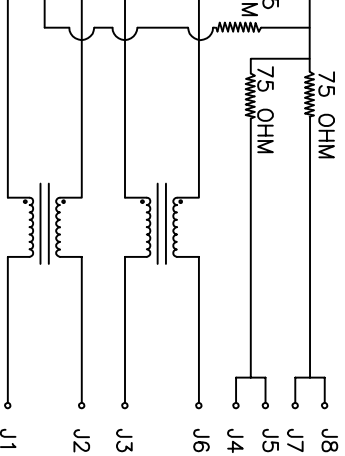
5°C.
 C.
 200 PCS/BOX.



FINAL OUTLINE

All rights reserved. Pulse confidential & proprietary. (11/14/17)

TLA DRAWING	PS DRAWING	SHEET	PART NO.	DATASHEET REV.
XD1-0008NLT-11	-	1 OF 5	JXD1-0008NLT	B



Electrical Specifications:

- 1.0 Turn Ratio @100KHz: (P1~P2):(J1~J2) = 1:1±5%
(P3~P6):(J3~J6) = 1:1±5%
- 2.0 Primary Inductance: 350uH MIN @100KHz,0.1V 8mA DC BIAS
- 3.0 DC Resistance:(J1~J2):(J3~J6) 1.2 OHMS MAX
- 4.0 Insertion Loss: 1~100MHz -1.2dB MAX
- 5.0 Return Loss: 1~30MHz -16dB MIN
30~60MHz -12dB MIN
60~80MHz -10dB MIN
- 6.0 CROSS TALK: 1~100MHz -30dB MIN
- 7.0 COMMON TO COMMON MODE ATTENUATION: 1~100MHz -30dB MIN
- 8.0 Isolation: PHY Side to Line Side: 2250VDC

LED SPECIFICATION:

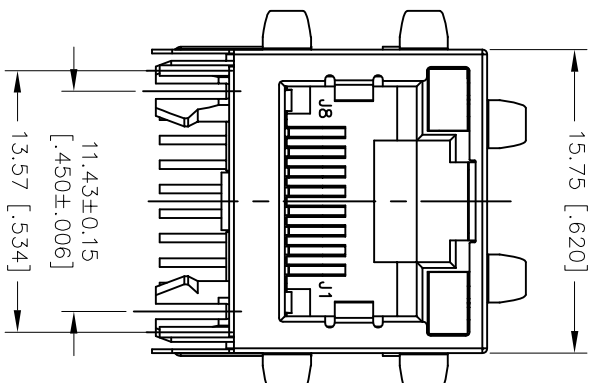
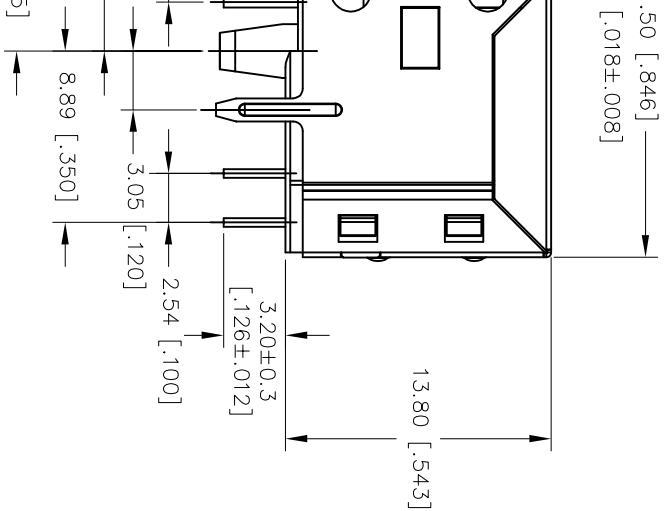
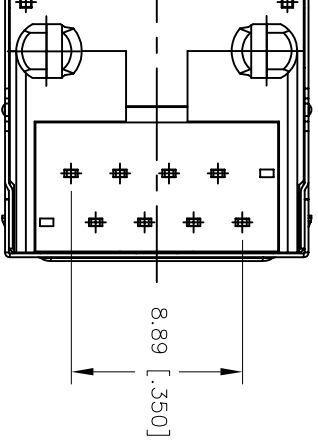
STANDARD LED	WAVELENGTH	Forward V(max)	TYP
GREEN	565nm	2.4V	2.2V
YELLOW	590nm	2.5V	2.1V

*WITH A FORWARD CURRENT OF 20mA

C

All rights reserved. Pulse confidential & proprietary. (11/14/17)

TLA DRAWING	PS DRAWING	SHEET	PART NO.	DATASHEET REV.
XD1-0008NL-11	-	2 OF 5	JXD1-0008NL	B

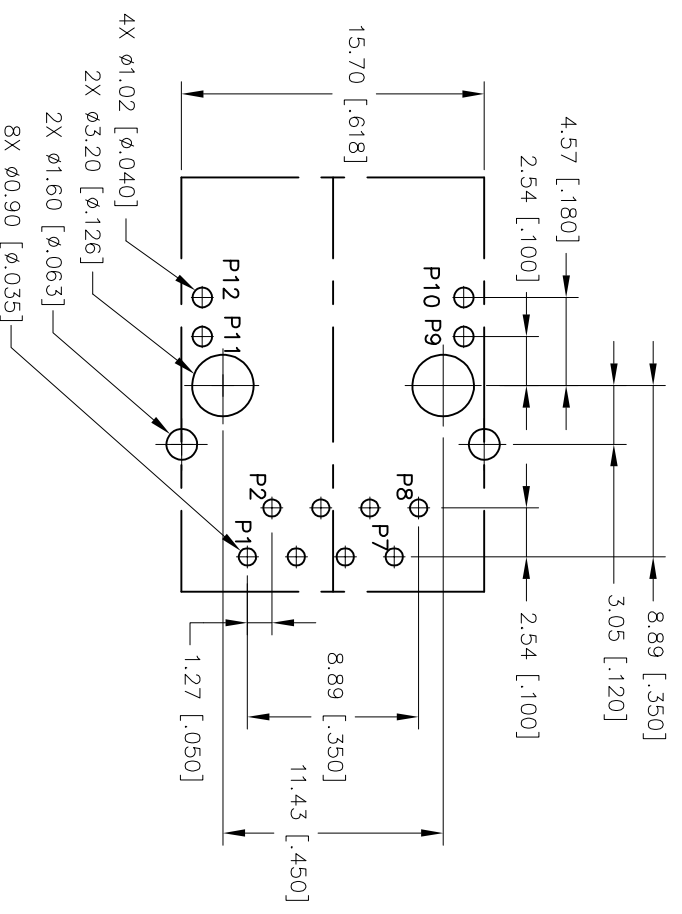
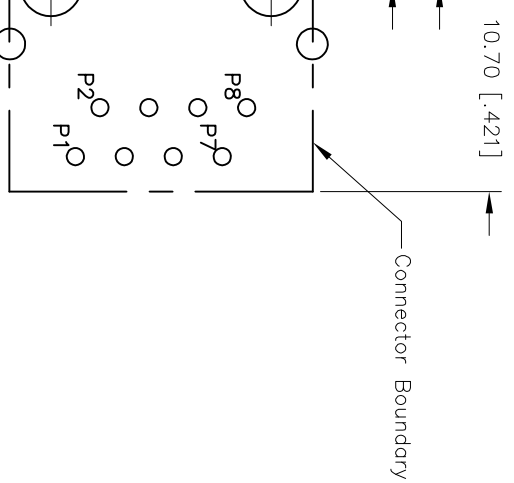


WITH THE FOLLOWING
 NCE ONLY.

All rights reserved. Pulse confidential & proprietary. (11/14/17)

TLA DRAWING	PS DRAWING	SHEET	PART NO.	DATASHEET REV.
XD1-0008NL-11	-	3 OF 5	JXD1-0008NL	B

EEELECTRONICS.COM(Asia) PHONE:USA:858 674 8100, GERMANY:49 7032 78060, SINGAPORE:65 6287 8998, SHANGHAI:86 21 62787060, TAIWAN:886 3 4356788



SIDE SHOWN)

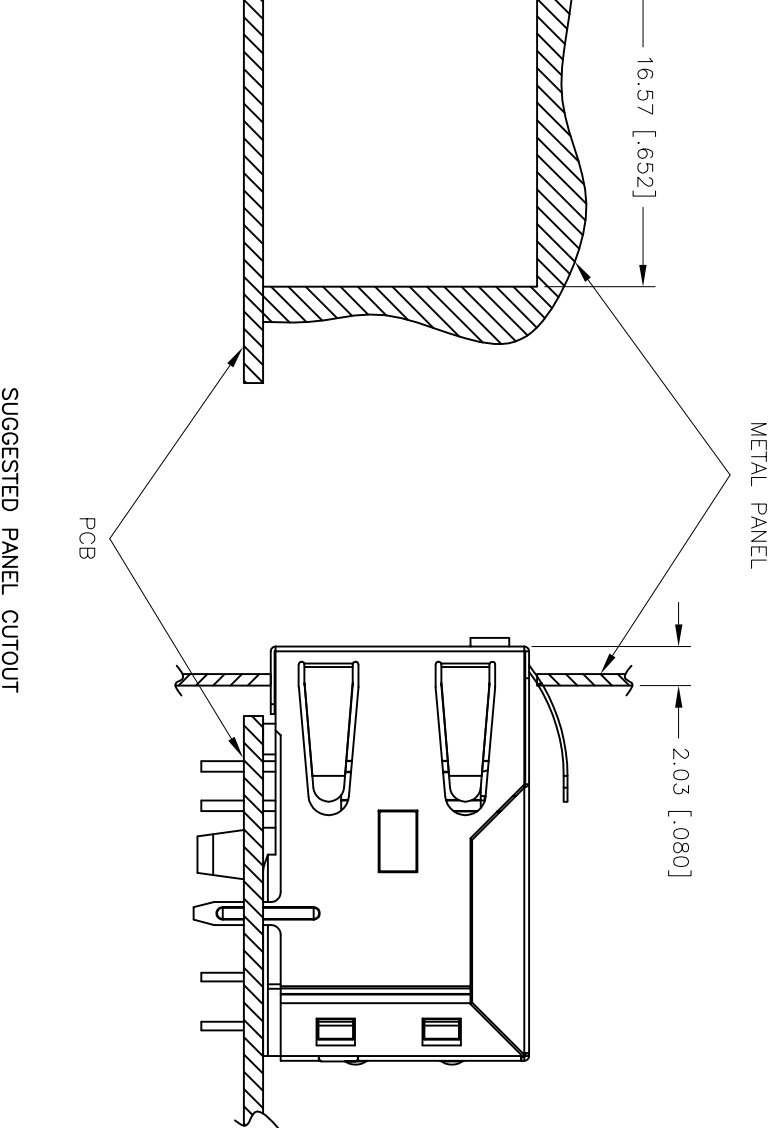
RECOMMENDED PCB LAYOUT
(COMPONENT SIDE SHOWN)

WITH THE FOLLOWING
INFORMATION ONLY.

All rights reserved. Pulse confidential & proprietary. (11/14/17)

TLA DRAWING	PS DRAWING	SHEET	PART NO.	DATASHEET REV.
XD1-0008NL-11	-	4 OF 5	JXD1-0008NL	B

PHONE:USA:858 674 8100, GERMANY:49 7032 78060, SINGAPORE:65 6287 8998, SHANGHAI:86 21 62787060, TAIWAN:886 3 4356788



WITH THE FOLLOWING
 NCE ONLY.



All rights reserved. Pulse confidential & proprietary. (11/14/17)

TLA DRAWING	PS DRAWING	SHEET	PART NO.	DATASHEET REV.
XD1-0008NL-11	-	5 OF 5	JXD1-0008NL	B

EEELECTRONICS.COM(Asia) PHONE:USA:858 674 8100, GERMANY:49 7032 78060, SINGAPORE:65 6287 8998, SHANGHAI:86 21 62787060, TAIWAN:886 3 4356768

Looking for pricing, stock, or lifecycle information?

Click below to explore more details on WIN SOURCE:

-  [View JXD1-0008NL on WIN SOURCE](#)
-  [Pulse Information](#)

Optimize Your Supply Chain with WIN SOURCE Solutions

-  Global Sourcing Solution
-  Obsolete Management
-  Cost Control Management
-  Shortage Management
-  Alternative Solution
-  Excess Inventory Management