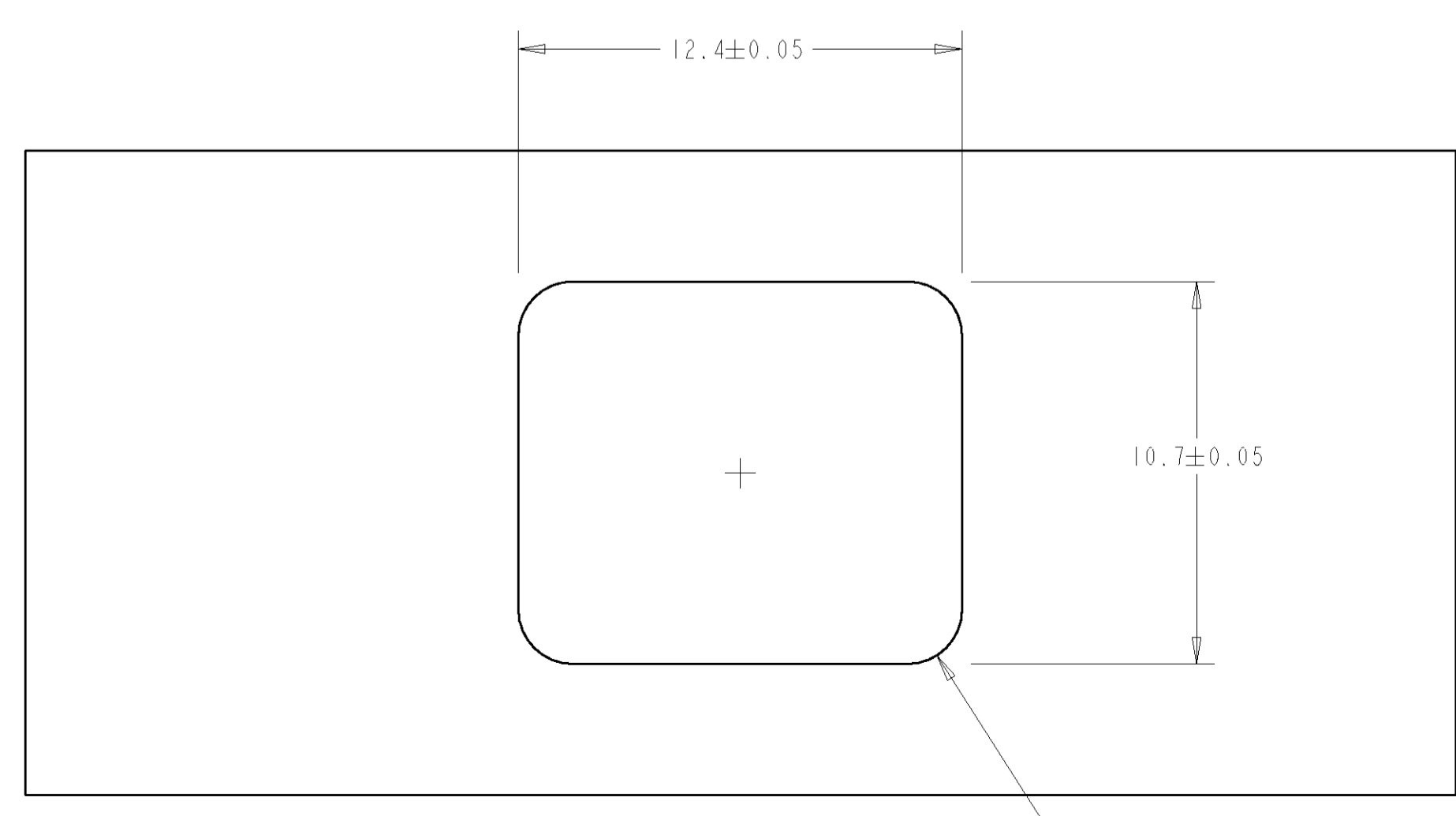
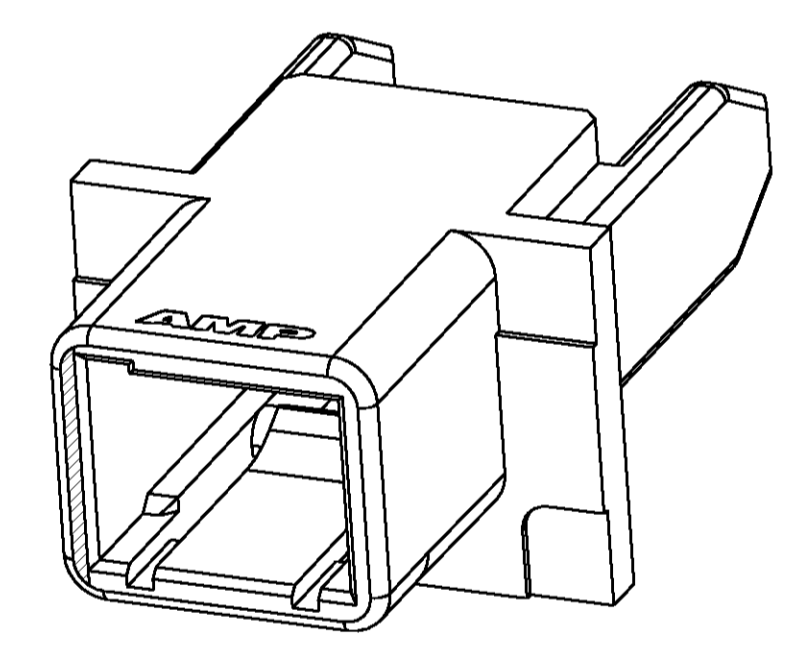
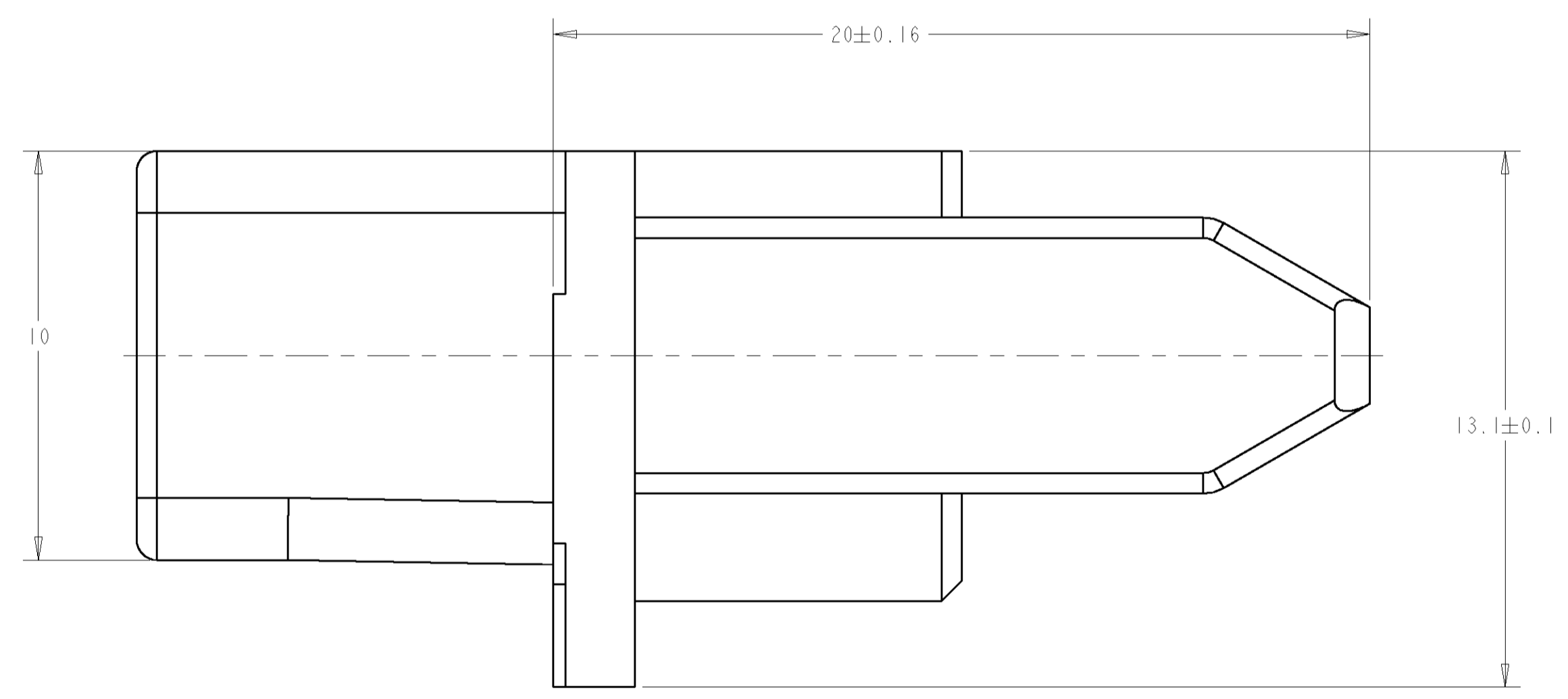
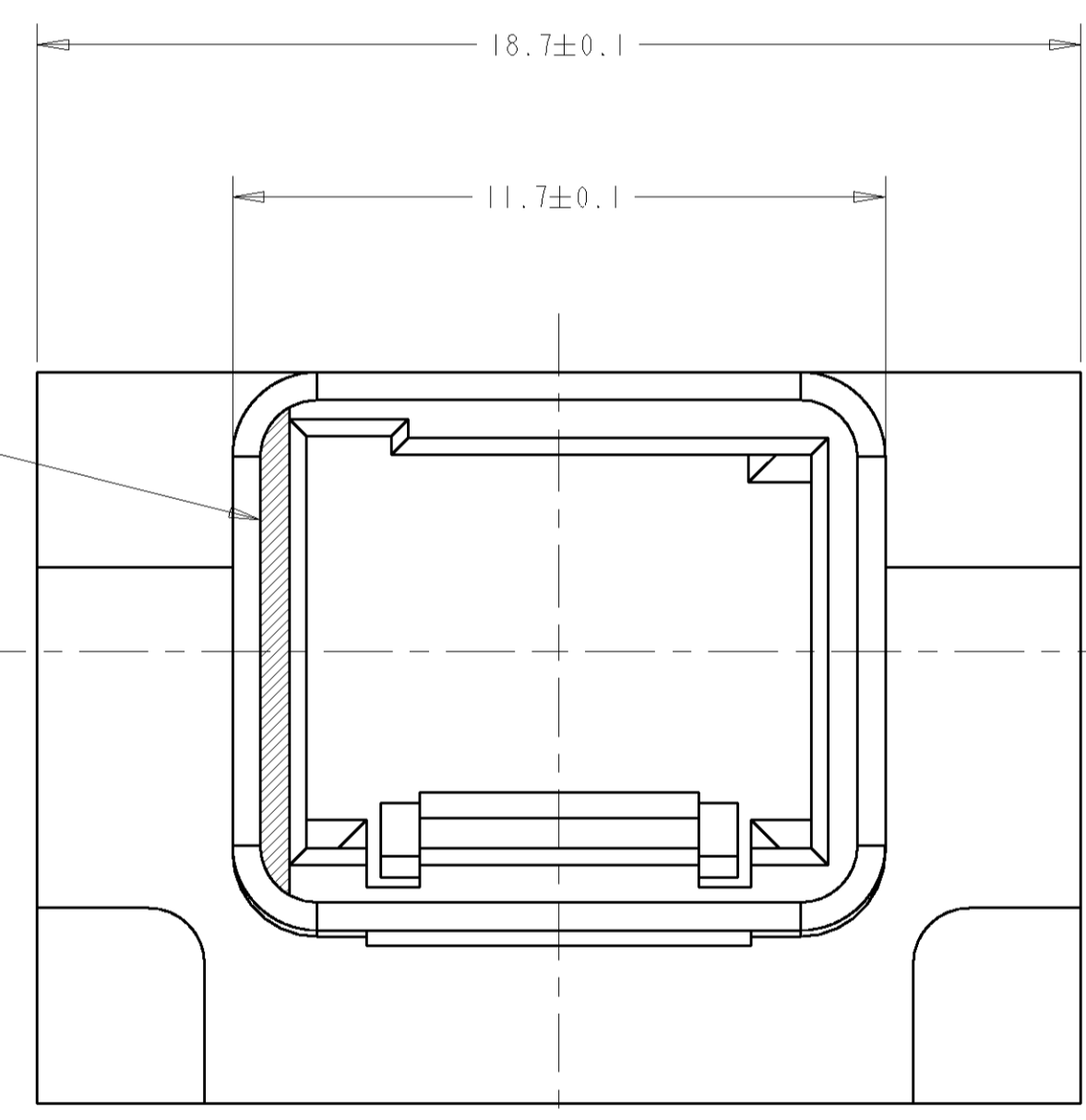
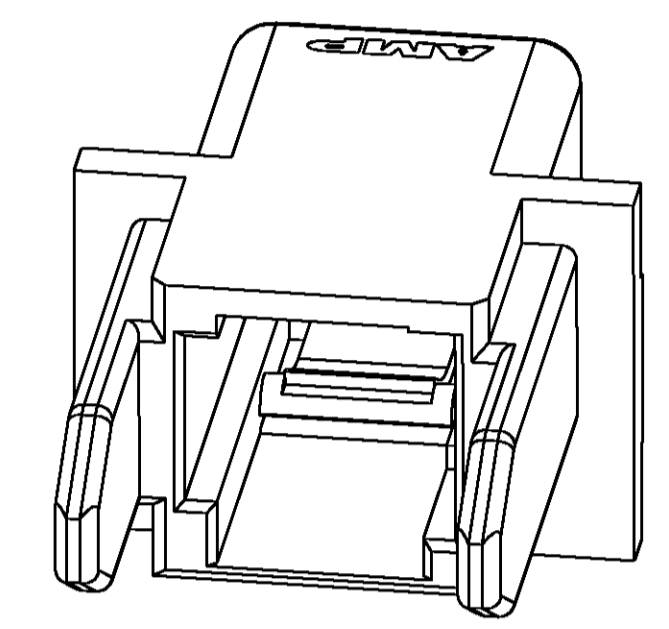
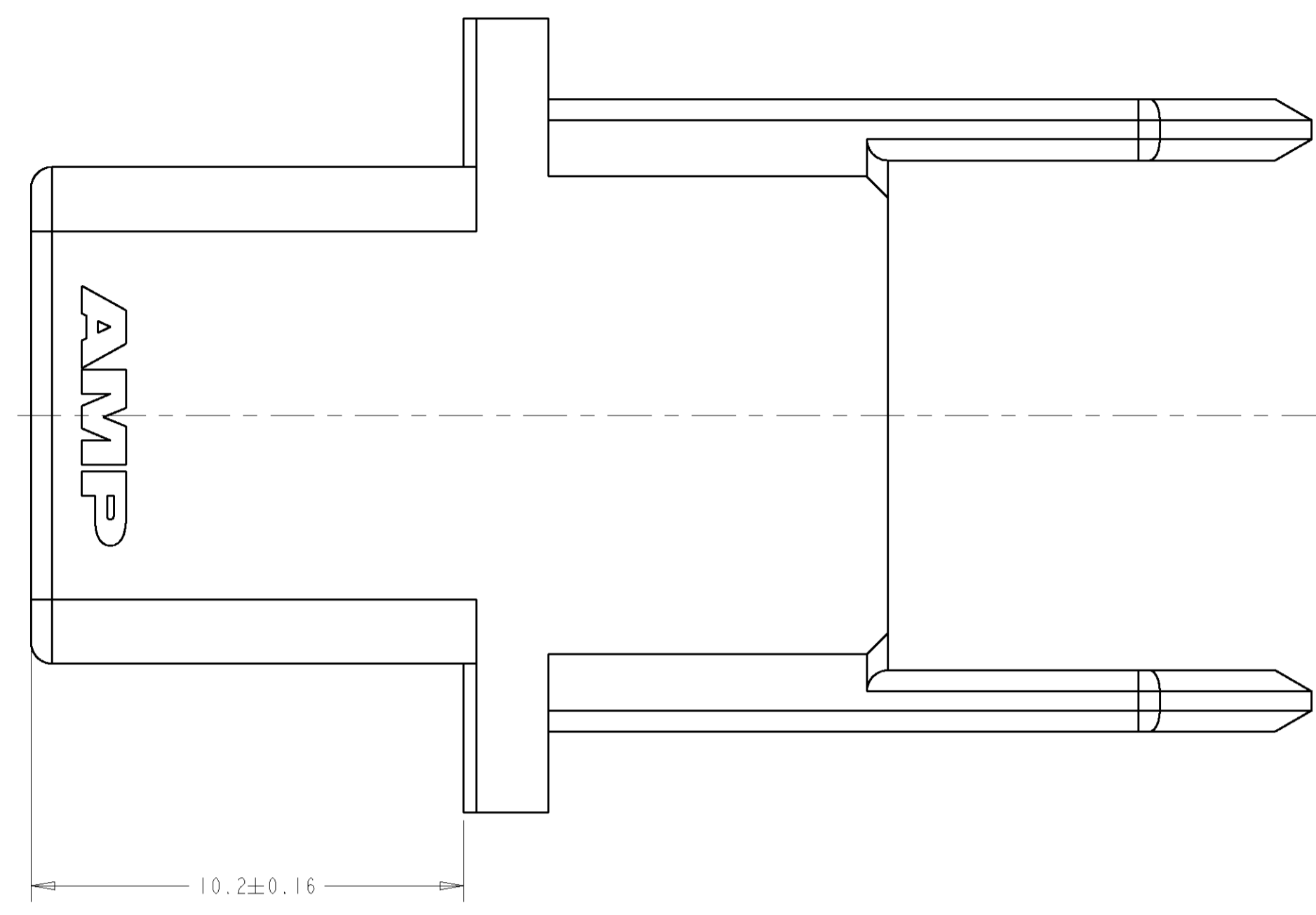




THE DATASHEET OF
492739-1



LOC	DIST	REVISIONS					
		F	LTW	DESCRIPTION	DATE	DWN	APPD
CE	16	O		RELEASED PER NPR 97-560	13JAN98	TG	LB
		A		REVISED PER EC 0A00-0264-01	09OCT01	EB	AP



SCALE 8:1

NOTES:
 MATERIAL: VALOX 420SE0, UL 94 V-0, COLOR: BLACK
 2 HOUSING DESIGNED TO BE INSTALLED WITH RETENTION CLIP P/N 492740-2, USING SEATING TOOL, P/N 1374662-2 OR 1278315-1, AND MOTHER BOARD SUPPORT, P/N 492493-1. REFER TO INSTRUCTION SHEET 408-8331.

492739-1
 PART NUMBER

<small>THIS DRAWING IS A CONTROLLED DOCUMENT FOR AMP INCORPORATED. ALL CHANGES TO THIS DRAWING ARE CONTROLLED BY THE ORGANIZATION. SHOULD BE CONTACTED FOR THE LATEST REVISION.</small>		DWN: T. GREEN 08JAN98 ENW: L. BARKUS 13JAN98 APPD: L. BARKUS 13JAN98	NAME: AMP Incorporated ADDRESS: Harrisburg, PA 17105-3608
DIMENSIONS: mm TOLERANCES UNLESS OTHERWISE SPECIFIED: 0 PLC ± .3 1 PLC ± 0.10 2 PLC ± 0.10 3 PLC ± 0.001 4 PLC ± 0.0001 ANGLES ± .1°	PRODUCT SPEC: - APPLICATION SPEC: - WEIGHT: - FINISH: -	PRODUCT SPEC: - APPLICATION SPEC: - WEIGHT: - FINISH: -	NAME: HOUSING, MOTHERBOARD, SINGLE POSITION BACKPLANE SIZE: A CAGE CODE: 00779 DRAWING NO: C=492739 RESTRICTED TO: - SCALE: 8:1 SHEET: 1 OF 1 REV: A
MATERIAL:		CUSTOMER DRAWING	AMP Incorporated

Looking for pricing, stock, or lifecycle information?

Click below to explore more details on WIN SOURCE:

 [View 492739-1 on WIN SOURCE](#)

 [TE Connectivity](#) Information

Optimize Your Supply Chain with WIN SOURCE Solutions

-  Global Sourcing Solution
-  Obsolete Management
-  Cost Control Management
-  Shortage Management
-  Alternative Solution
-  Excess Inventory Management