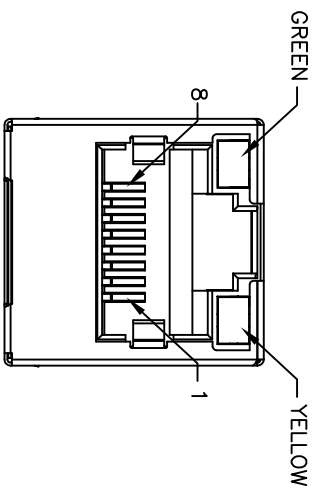




THE DATASHEET OF JXD2-0010NL





CRO-INCHS MIN

OMITTED SEE

AND REGULATION

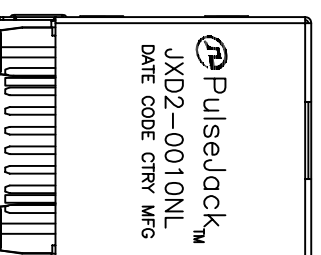
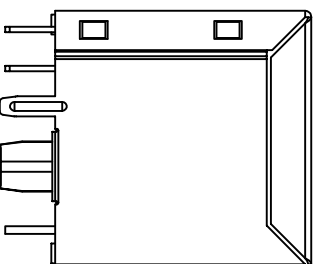
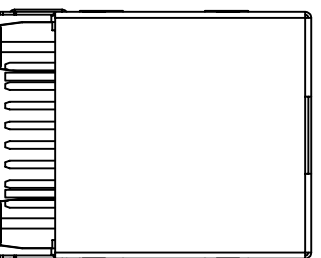
SOLDERING

IS

5°C.

C.

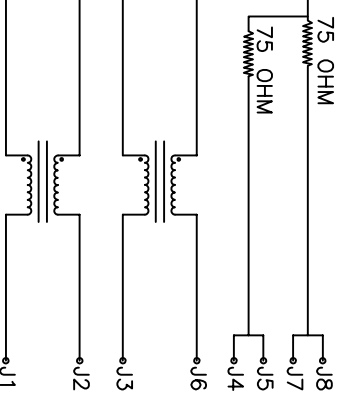
200 PCS/BOX.



FINAL OUTLINE

All rights reserved. Pulse confidential & proprietary. (03/02/15)

TLA DRAWING	PS DRAWING	SHEET	PART NO.	DATASHEET REV.
XD2-0010NL-10	-	1 OF 5	JXD2-0010NL	D



Electronical Specifications:

- 1.0 Turn Ratio @100KHz: (P1~P3):(J1~J2) = 1:1±5%
(P4~P6):(J3~J6) = 1:1±5%
- 2.0 Primary Inductance: 350uH MIN @100KHz,0.1V 8mA DC BIAS
- 3.0 DC Resistance:(J1~J2):(J3~J6) 1.2 OHMS MAX
- 4.0 Insertion Loss: 1-100MHz -1.2dB MAX
- 5.0 Return Loss: 1-30MHz -16dB MIN
30-60MHz -12dB MIN
60-80MHz -10dB MIN
- 6.0 CROSS TALK: 1-100MHz -30dB MIN
- 7.0 COMMON TO COMMON MODE ATTENUATION: 1-100MHz -30dB MIN
- 8.0 Isolation: PHY Side to Line Side: 1500VAC or 2250VDC

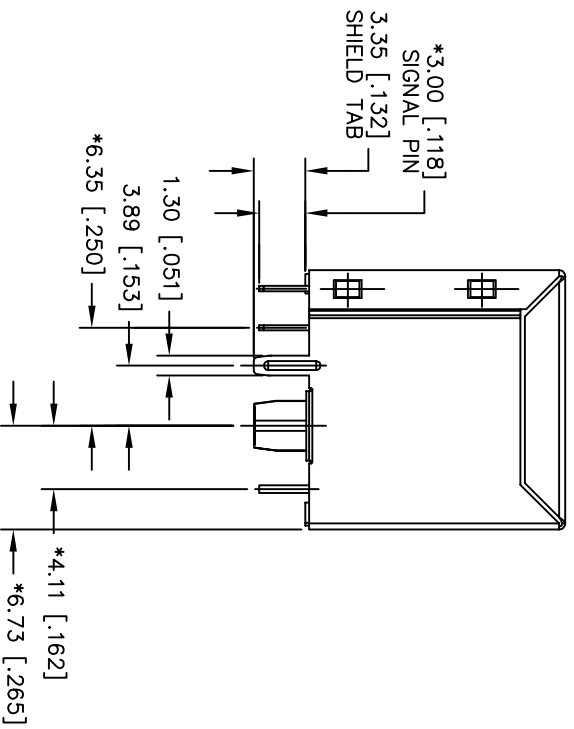
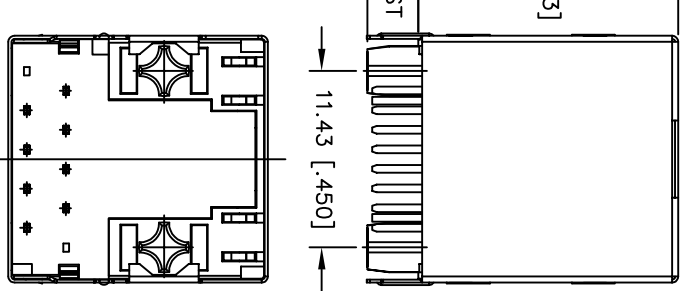
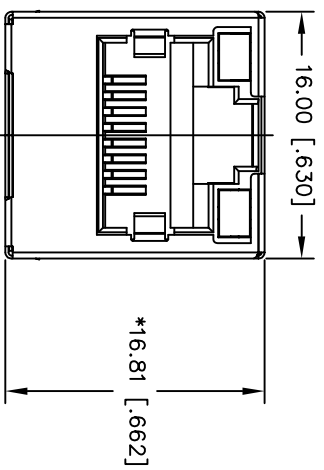
LED Specifications:

STANDARD LED	WAVELENGTH	Forward V(max)	TYP
GREEN	565nm	2.4V	2.2V
YELLOW	590nm	2.5V	2.1V

*WITH A FORWARD CURRENT OF 20mA

All rights reserved. Pulse confidential & proprietary. (03/02/15)

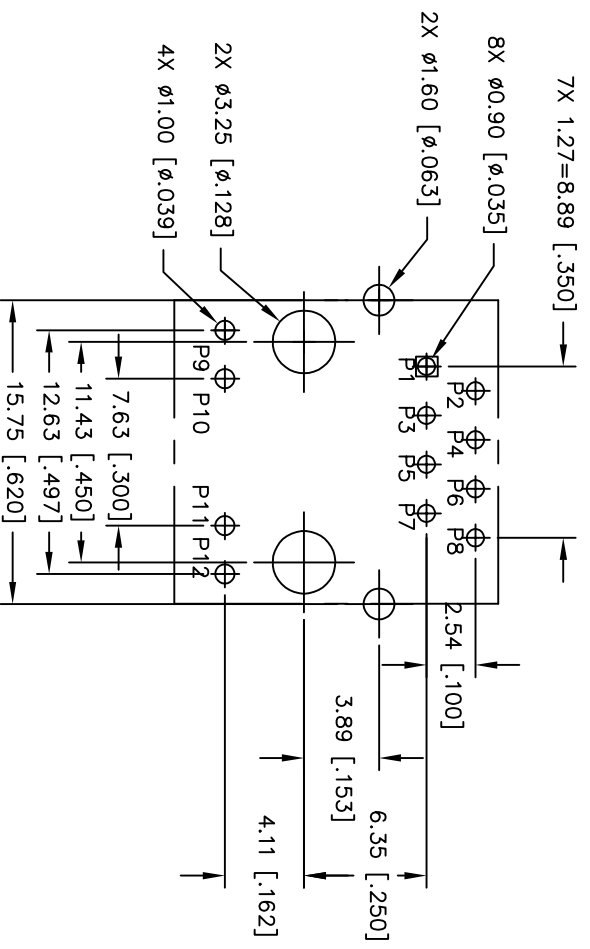
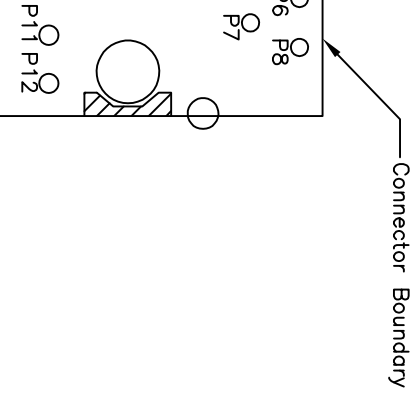
TLA DRAWING	PS DRAWING	SHEET	PART NO.	DATASHEET REV.
XD2-0010NL-10	-	2 OF 5	JXD2-0010NL	D



WITH THE FOLLOWING
 NCE ONLY.

All rights reserved. Pulse confidential & proprietary. (03/02/15)

TLA DRAWING	PS DRAWING	SHEET	PART NO.	DATASHEET REV.
XD2-0010NL-10	-	3 OF 5	JXD2-0010NL	D



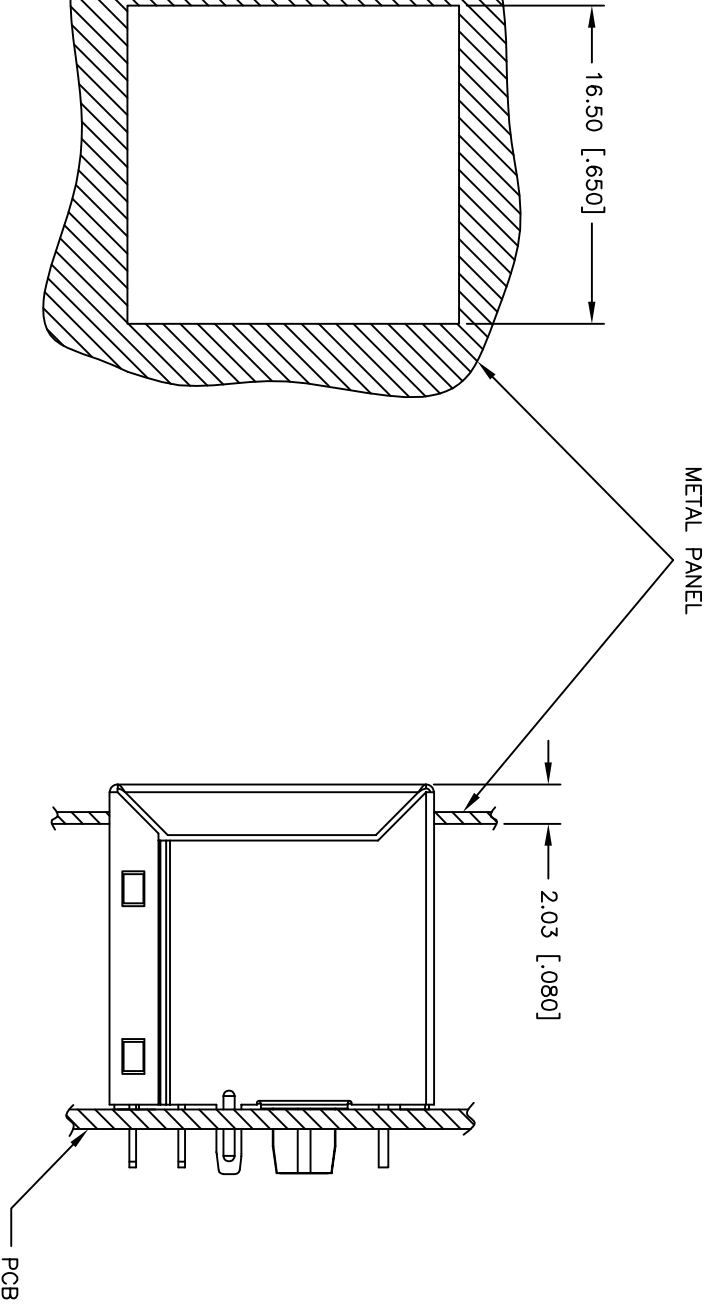
RECOMMENDED PWB LAYOUT
(COMPONENT SIDE SHOWN)

COMPONENT SIDE SHOWN)

WITH THE FOLLOWING
INFORMATION ONLY.

All rights reserved. Pulse confidential & proprietary. (03/02/15)

TLA DRAWING	PS DRAWING	SHEET	PART NO.	DATASHEET REV.
XD2-0010NL-10	-	4 OF 5	JXD2-0010NL	D



SUGGESTED PANEL CUTOUT



WITH THE FOLLOWING
INFORMATION ONLY.

All rights reserved. Pulse confidential & proprietary. (03/02/15)

TLA DRAWING	PS DRAWING	SHEET	PART NO.	DATASHEET REV.
XD2-0010NL-10	-	5 OF 5	JXD2-0010NL	D

Looking for pricing, stock, or lifecycle information?

Click below to explore more details on WIN SOURCE:

-  [View JXD2-0010NL on WIN SOURCE](#)
-  [Pulse Information](#)

Optimize Your Supply Chain with WIN SOURCE Solutions

-  Global Sourcing Solution
-  Obsolete Management
-  Cost Control Management
-  Shortage Management
-  Alternative Solution
-  Excess Inventory Management