

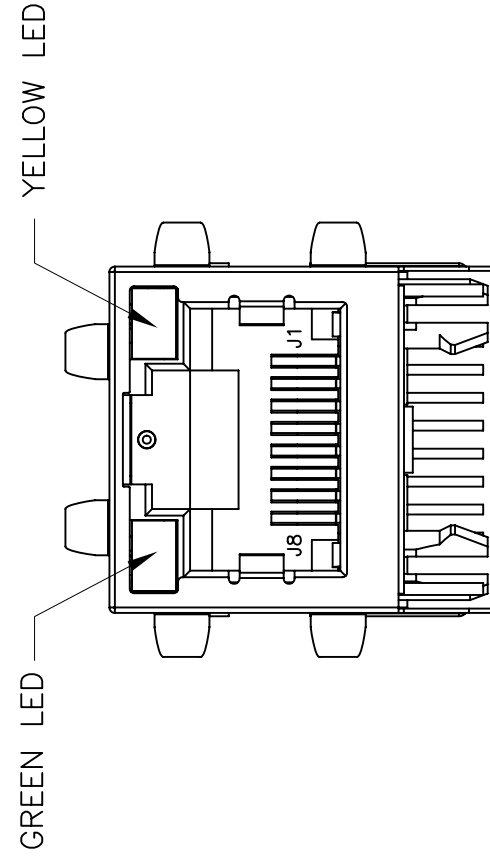
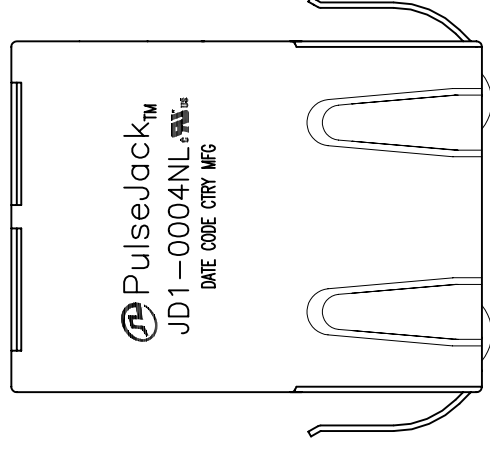


**THE DATASHEET OF
JD1-0004NL**



NOTES:

1. CONNECTOR MATERIAL:
HOUSING:THERMOPLASTIC UL94 V-0
SHIELD:Brass
SHIELD PLATING:NICKEL
CONTACT:COOPER ALLOY
CONTACT PLATING: SELECTIVE GOLD, 6 MICRO-INCHS MIN
IN CONTACT AREA
2. PIN NOT ELECTRICALLY CONNECTED MAYBE OMITTED SEE
ELECTRICAL DRAWING FOR OMITTED PINS
3. RJ45 CAVITIES CONFORM TO FCC RULES AND REGULATION
PART 68.
4. THE PART IS RECOMMENDED FOR WAVE SOLDERING
PROCESS PEAK SOLDERING TEMPERATURE IS
260°C MAX, 10 SECS MAX
5. OPERATING TEMPERATURE T=0°C TO +70°C.
6. STORAGE TEMPERATURE T=-40°C TO +85°C.
7. ALL CRITICAL DIMENSIONS WITH "★"
8. PACKAGING INFORMATION: 50 PCS/TRAY, 1200 PCS/BOX.

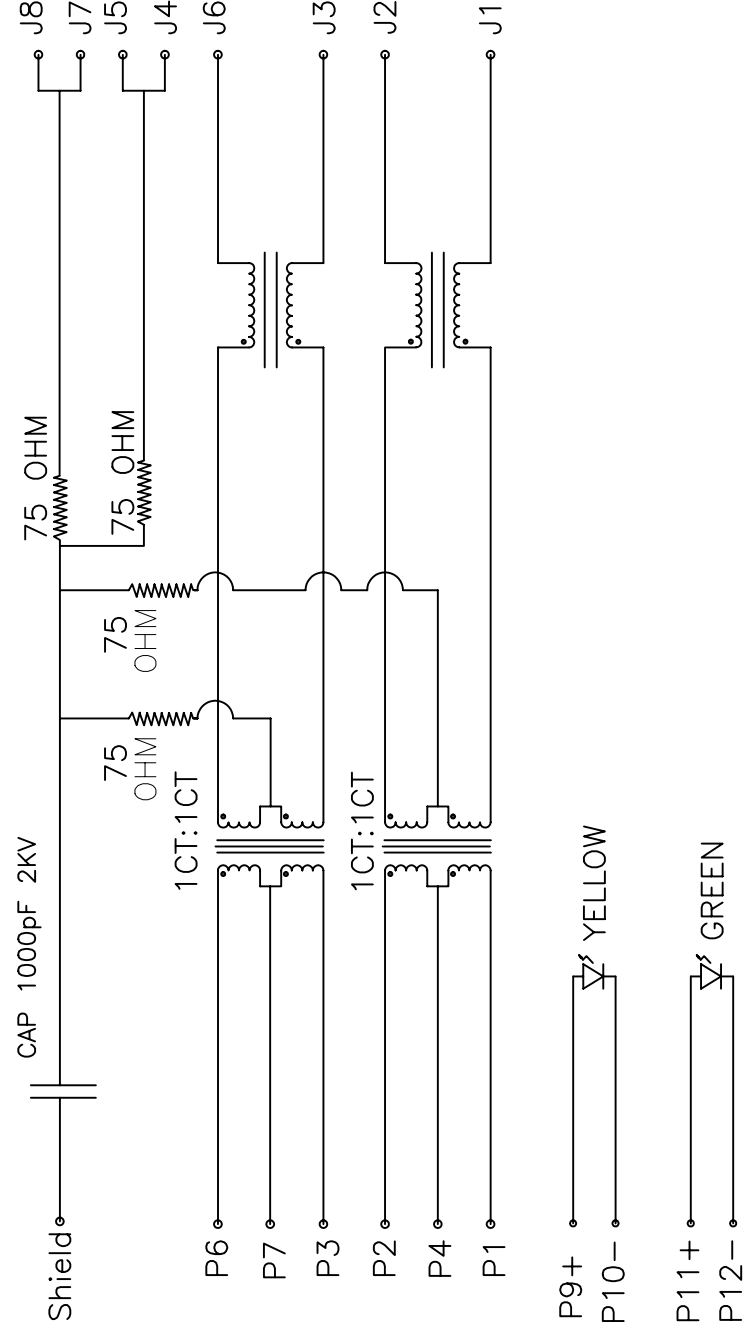


FINAL OUTLINE

© Copyright, 2015. Pulse Electronics Corp. All rights reserved. Pulse confidential & proprietary. (01/26/15)

PRODUCT DESCRIPTION	TLA DRAWING	PS DRAWING	SHEET
CONN,RJ45,1X1,100D,1:1,TU	JD1-0004NL-X1	-	1 OF 5

E-MAIL: PRODINFONETWORK@PULSEELECTRONICS.COM(US), ASIA@PUJ.SFFI.FCTRONICS.COM(Asia) PHONE: USA:858 674 8100, GERMANY:49 7032 78060, SINGAPORE:65



SCHEMATIC

Electronical Specifications:

- 1.0 Turn Ratio @100KHz: (F/F)
- 2.0 Primary Inductance: 350uH
- 3.0 DC Resistance:(J1~J2):(J3~J4)
- 4.0 Insertion Loss: 1-100dB
- 5.0 Return Loss: 1-30dB
30-60dB
60-80dB
- 6.0 CROSS TALK: 1-100dB
- 7.0 COMMON TO COMMON MOD
- 8.0 Isolation: PHY Side to Lin

LED SPECIFICATION:

STANDARD LED	WAVELENGTH
GREEN	565nm
YELLOW	590nm

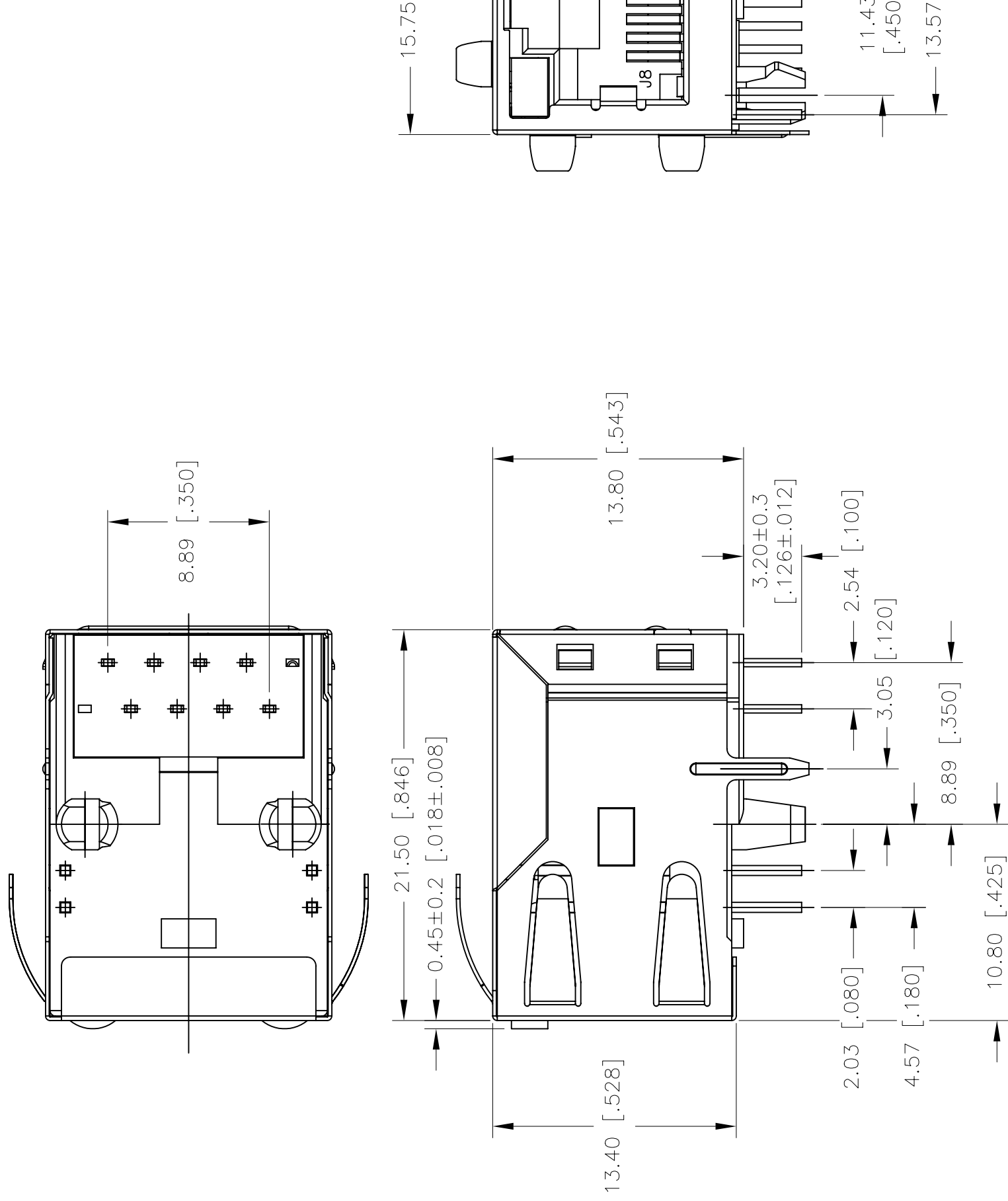
*WITH A FORWARD CURRENT C

© Copyright, 2015. Pulse Electronics Corp. All rights reserved. Pulse confidential & proprietary. (01/26/15)

PRODUCT DESCRIPTION	TLA DRAWING	PS DRAWING	SHEET
CONN,RJ45,1X1,100D,1:1,TU	JD1-0004NL-X1	-	2 OF 5

E-MAIL: PRODINFONETWORK@PULSEELECTRONICS.COM(US). ASIA@PUJISFFI ELECTRONICS.COM(Asia)

PHONE: USA:858 674 8100, GERMANY:49 7032 78060, SINGAPORE:65



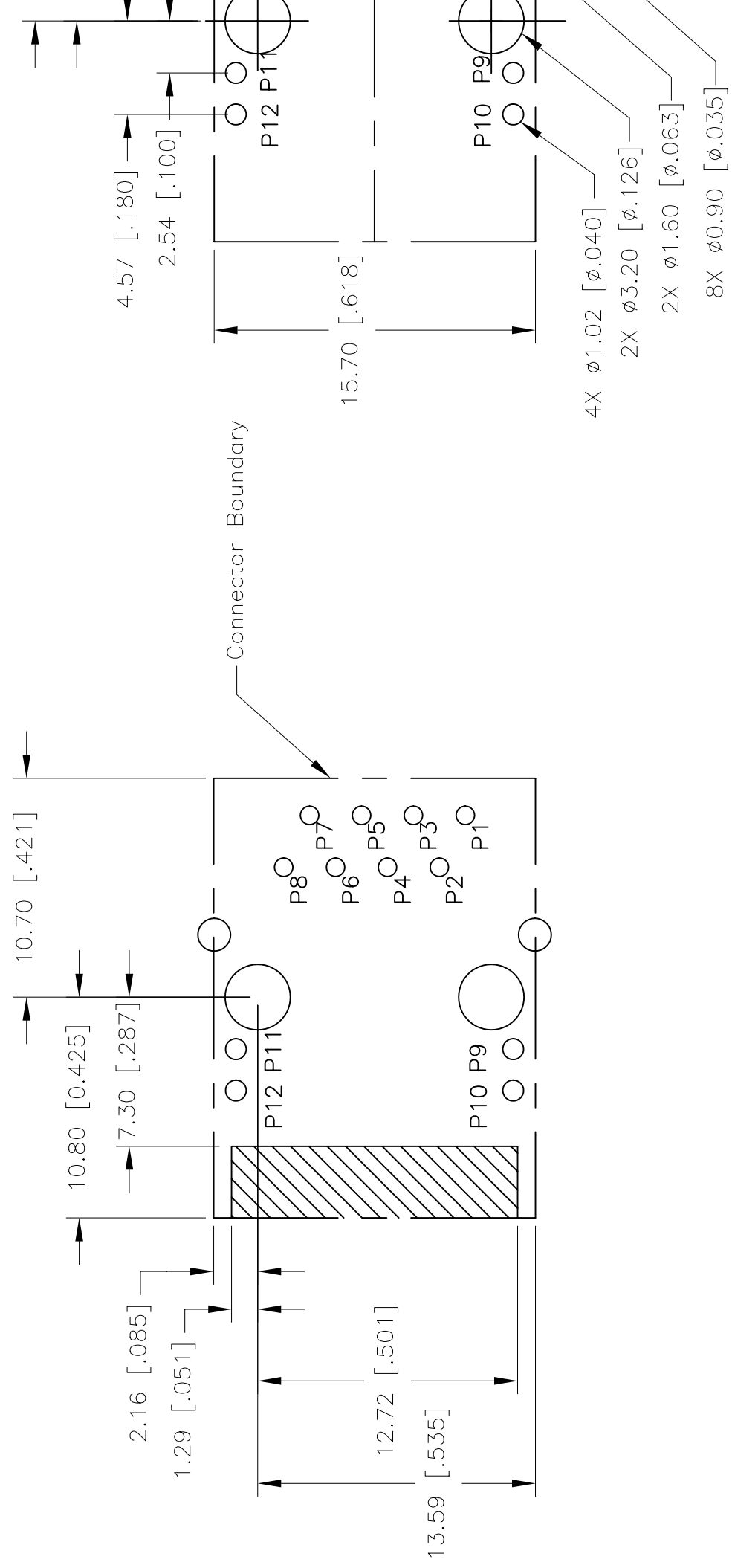
DIMENSIONS ARE IN MILLIMETERS [INCHES] WITH THE FOLLOWING TOLERANCES: [INCHES] ARE FOR REFERENCE ONLY.
X.XX= ±0.25 [±.010]

© Copyright, 2015. Pulse Electronics Corp. All rights reserved. Pulse confidential & proprietary. (01/26/15)

PRODUCT DESCRIPTION	TLA DRAWING	PS DRAWING	SHEET
CONN,RJ45,1X1,100D,1:1,TU	JD1-0004NL-X1	-	3 OF 5

E-MAIL: PRODINFONETWORK@PULSEELECTRONICS.COM(US), ASIA@PUJ.SFFI.FCTRONICS.COM(Asia)

PHONE: USA:858 674 8100, GERMANY:49 7032 78060, SINGAPORE:65



KEEP-OUT AREA (COMPONENT SIDE SHOWN)

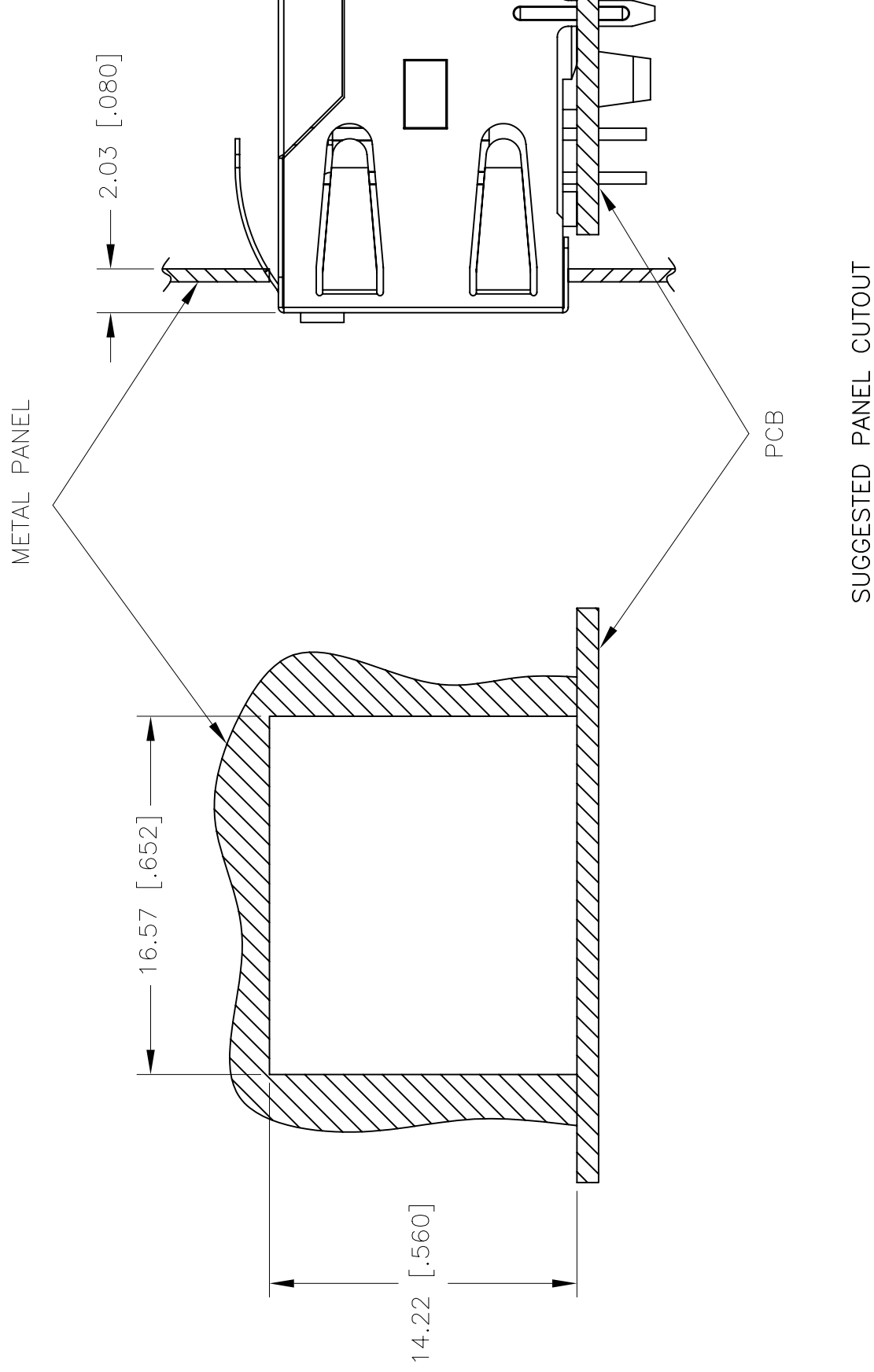
RECOMMENDED
(COMPONENT SIDE)

DIMENSIONS ARE IN MILLIMETERS [INCHES] WITH THE FOLLOWING TOLERANCES: [INCHES] ARE FOR REFERENCE ONLY.
 X.XX= ± 0.10 [± 0.004]

© Copyright, 2015. Pulse Electronics Corp. All rights reserved. Pulse confidential & proprietary. (01/26/15)

PRODUCT DESCRIPTION	TLA DRAWING	PS DRAWING	SHEET
CONN,RJ45,1X1,100D,1:1,TU	JD1-0004NL-X1	-	4 OF 5

E-MAIL: PRODINFONETWORK@PULSEELECTRONICS.COM(US), ASIA@PUJ.SFFI.FCTRONICS.COM(Asia) PHONE: USA:858 674 8100, GERMANY:49 7032 78060, SINGAPORE:65



DIMENSIONS ARE IN MILLIMETERS [INCHES] WITH THE FOLLOWING TOLERANCES: [INCHES] ARE FOR REFERENCE ONLY.
 X.XX= ±0.10 [±.004]

© Copyright, 2015. Pulse Electronics Corp. All rights reserved. Pulse confidential & proprietary. (01/26/15)


PRODUCT DESCRIPTION	TLA DRAWING	PS DRAWING	SHEET
CONN,RJ45,1X1,100D,1:1,TU	JD1-0004NL-X1	-	5 OF 5

E-MAIL: PRODINFONETWORK@PULSEELECTRONICS.COM(US), ASIA@PUJISFFI FCTRONICS.COM(Asia) PHONE: USA:858 674 8100, GERMANY:49 7032 78060, SINGAPORE:65






Looking for pricing, stock, or lifecycle information?

Click below to explore more details on WIN SOURCE:

 [View JD1-0004NL on WIN SOURCE](#)

 [Pulse Information](#)

Optimize Your Supply Chain with WIN SOURCE Solutions

-  Global Sourcing Solution
-  Obsolete Management
-  Cost Control Management
-  Shortage Management
-  Alternative Solution
-  Excess Inventory Management