



**THE DATASHEET OF
JK0-0036NL**



COGNIZED BY ONE OR
SUCH AS UL, VDE,
ENGINEERING CHANGES
VAL BY THE DESIGN
MENT FOR SAFETY

EON APPROVAL:

QA APPROVAL:

DATE:

T
S
VAL

3

2

1

C

B

A



TITLE
DATASHEET

SIZE	CAGE CODE	DWG. NO.	REV.
B	01961	JK0-0036NL	11
SCALE	CADD FILE	SHEET	OF
NONE	M-JK0-0036NL-1	1	5

3

2

1

3

2

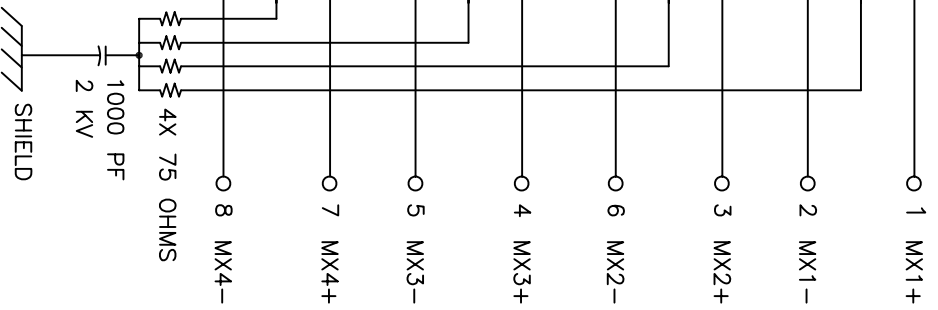
1

ELECTRICAL CHARACTERISTICS AT +25°C UNLESS OTHER SPECIFIED
(FOR REFERENCE ONLY. USED FOR CUSTOMER INFORMATION.)

PARAMETER	SPECIFICATIONS	
	INSERTION LOSS	100 KHz
RETURN LOSS (Z OUT = 100 OHM ±15%)	-1.2 DB MAX	-0.2-0.002*f ^{1.4} DB MAX
	.1-40 MHz	40-100 MHz
INDUCTANCE (OCL) (MEDIA SIDE, 0°C-70°C)	-16 DB MIN	-10+20*LOG ₁₀ (f/80 MHz) DB MIN
	350 uH MIN	(MEASURED AT 100 KHz, 100 mVRMS) (AND WITH 8 mA DC BIAS)
CROSSTALK, ADJACENT CHANNELS	1 MHz	10-100 MHz
	-50 DB MIN	-55+22*LOG ₁₀ (f/10) DB MIN
COMMON MODE REJECTION RATIO	2 MHz	30-200 MHz
	-50 DB MIN	-15+20*LOG ₁₀ (f/200) DB MIN
INPUT - OUTPUT ISOLATION	2250 VDC MINIMUM FOR 60 SECONDS	

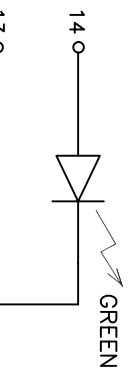
NOTE: f IS FREQUENCY IN MHZ.

CABLE SIDE



EMITTED COLOR	GREEN	YELLOW
WAVELENGTH (nm)	568 nm	585 nm
BRIGHTNESS (mcd)	8.5 TYP. @ 20 mA	6.0 TYP. @ 20 mA
	VIEWING ANGLE 85° - 100°	
POWER DISSIPATION (Pd)	100 mA MAX	100 mA MAX
DC FORWARD CURRENT	150 mA MAX	150 mA MAX
REVERSE VOLTAGE (Vr)	2.2 TO 2.6 VOLTS	

NOTE: PER VENDOR'S SPECIFICATIONS



UNLESS OTHERWISE SPECIFIED, ALL DIMENSIONS ARE IN INCHES
TOLERANCES ARE:
DECIMALS ANGLES
.XX ±.01 ± 1°
.XXX ±.005

SIZE B
CAGE CODE 01961
SCALE NONE
NONE CAD FILE

DWG. NO. JKO-0036NL
M-JKO-0036NL-2

REV. 11

SHEET 2 OF 5

3

2

1

A

B

C

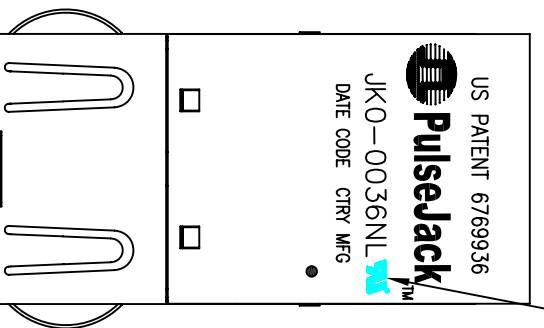
D

HEMATIC

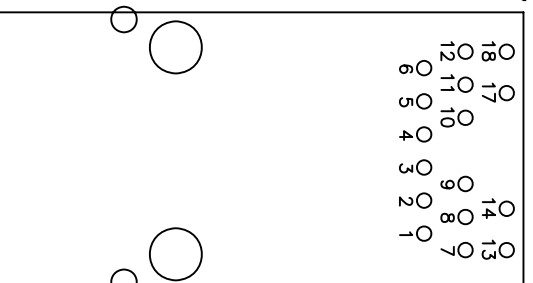
3

2

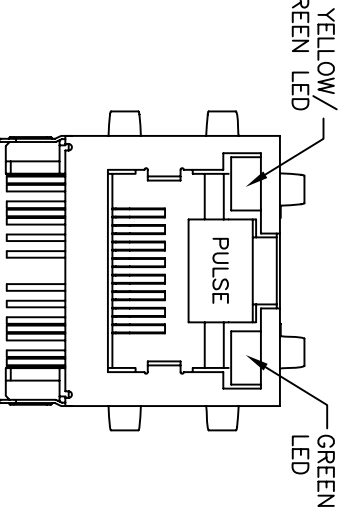
1



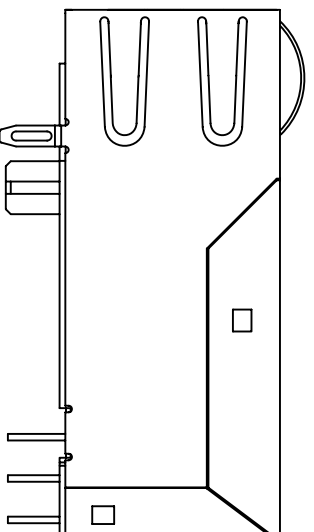
MARK PART WITH "UL MARK"
 PER PROCEDURE ITEM 19.
 MARK POSITION IS OPTIONAL
 PREFERRED LOCATION IS
 TOP OF THE PART.



FRONT OF CONNECTOR
 PCB PINOUT
 COMPONENT SIDE SHOWN



FINAL OUTLINE



UNLESS OTHERWISE SPECIFIED, ALL
 DIMENSIONS ARE IN INCHES
 DECIMALS
 .XX ±.01 ANGLES ± 1°
 .XXX ±.005
 DO NOT SCALE DRAWING

SIZE	CAGE CODE	DWG. NO.
B	01961	JK0-0036NL
SCALE	CADD FILE	
NONE		

M-JK0-0036NL-3	SHEET	REV.
	3 OF 5	11

3

2

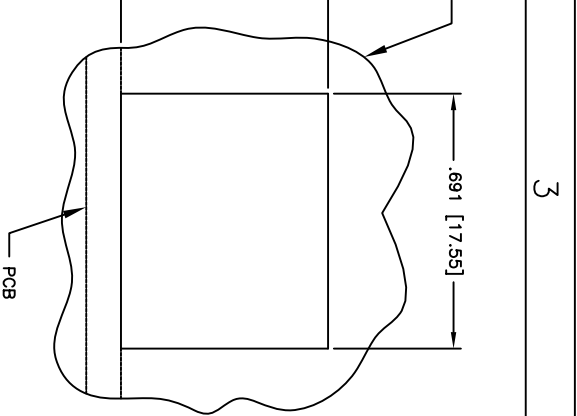
1

A

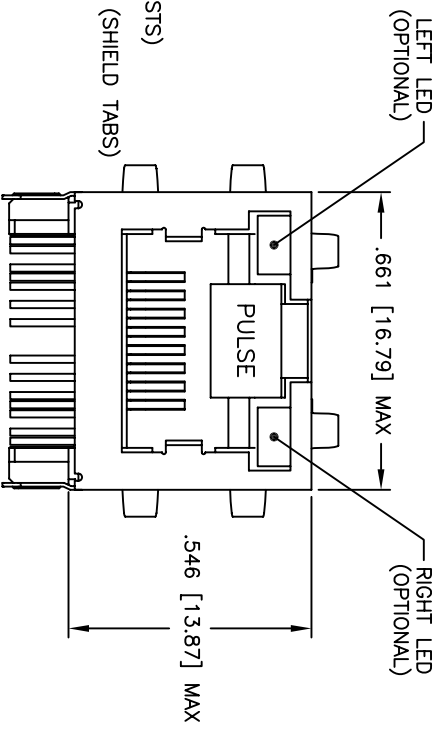
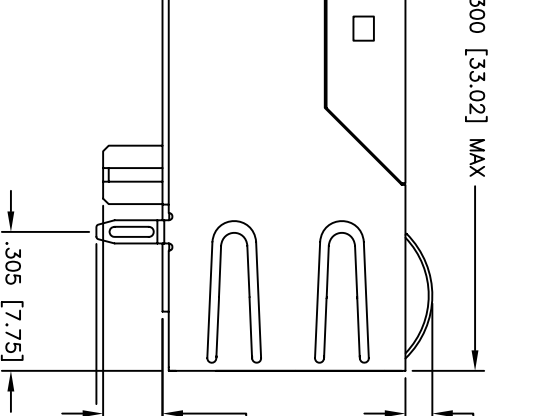
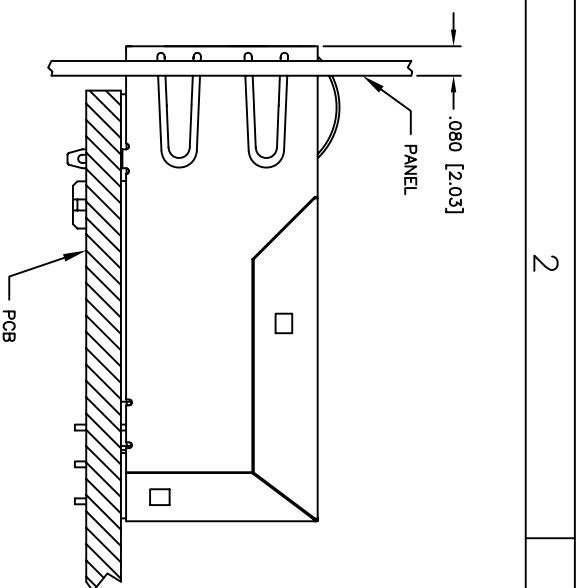
B

C

D



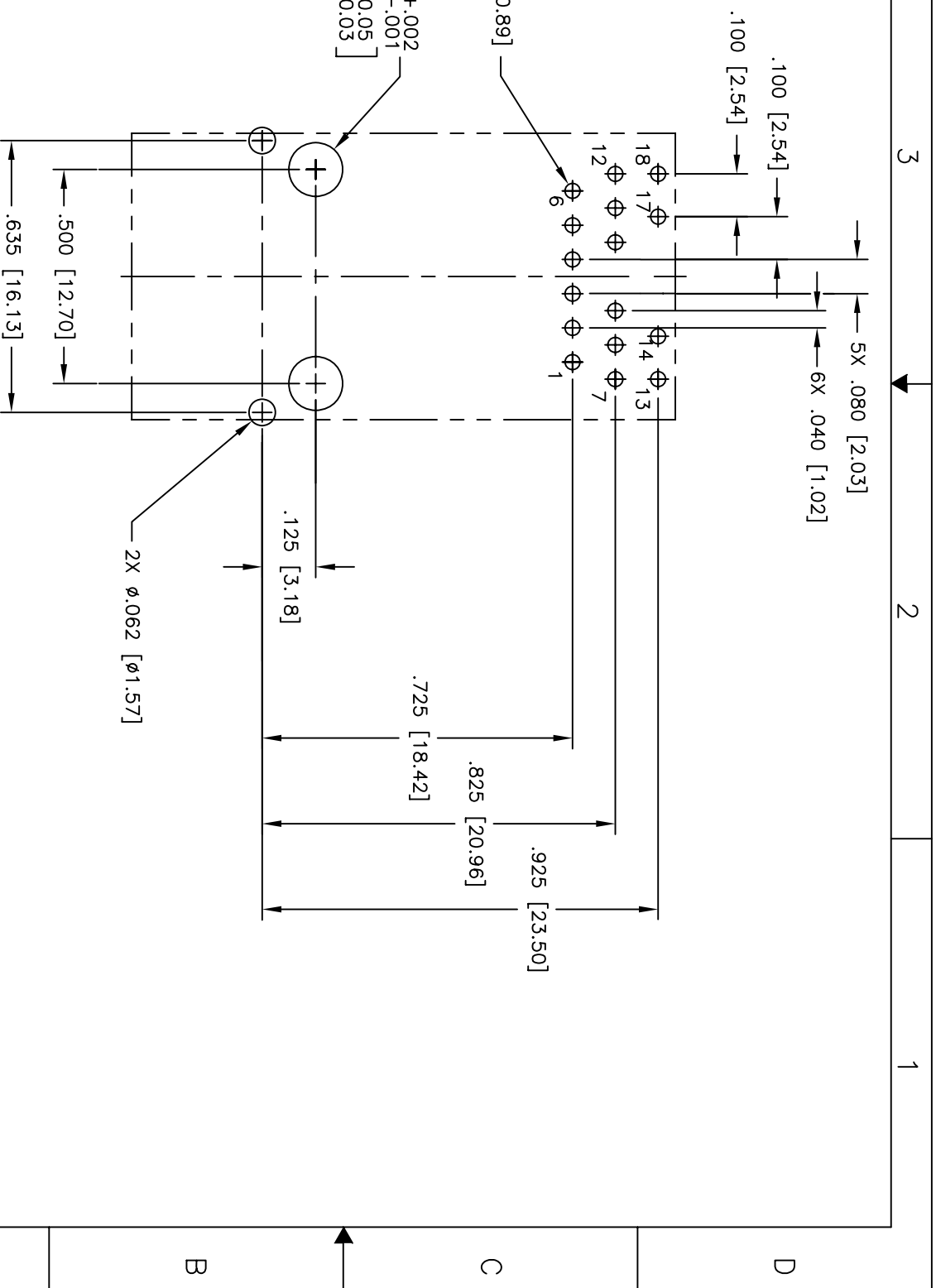
SUGGESTED PANEL CUTOUT



UNLESS OTHERWISE SPECIFIED, ALL DIMENSIONS ARE IN INCHES AND DECIMALS
 TOLERANCES ARE:
 .XX ±.01
 .XXX ±.005
 DO NOT SCALE DRAWING

SIZE	CAGE CODE	DWG. NO.	REV
B	01961	JKO-0036NL	11
SCALE	CADD FILE	SHEET	OF
4/1	M-JKO-0036NL-4	4	5

3 2 1 A B C D



FRONT OF CONNECTOR

SUGGESTED PCB LAYOUT
(COMPONENT SIDE SHOWN)
DIMENSIONAL TOLERANCE:
.XXX ±.003 [X.XX ±0.08]

UNLESS OTHERWISE SPECIFIED, ALL
DIMENSIONS ARE IN INCHES
TOLERANCES ARE:
DECIMALS
XXX ±.01
XXX ±.005
DO NOT SCALE DRAWING

SIZE B
CASE CODE 01961
SCALE 4/1
CADD FILE

DWG. NO. JKO-0036NL
M-JKO-0036NL-5
SHEET 5 OF 5
REV 11

A

B

C

D

3

2

1



3

2

1

Looking for pricing, stock, or lifecycle information?

Click below to explore more details on WIN SOURCE:

-  [View JK0-0036NL on WIN SOURCE](#)
-  [Pulse Information](#)

Optimize Your Supply Chain with WIN SOURCE Solutions

-  Global Sourcing Solution
-  Obsolete Management
-  Cost Control Management
-  Shortage Management
-  Alternative Solution
-  Excess Inventory Management