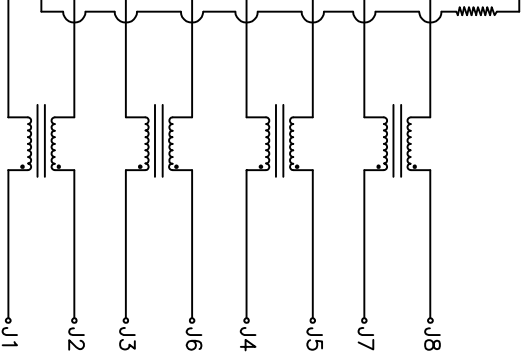




**THE DATASHEET OF
JXD0-0001NL**





Electrical Specifications:

- 1.0 Turn Ratio @100KHZ: (P2~P3):(J1~J2) = 1:1±5%
(P4~P5):(J3~J6) = 1:1±5%
(P6~P7):(J4~J5) = 1:1±5%
(P8~P9):(J7~J8) = 1:1±5%
- 2.0 Primary Inductance: 350uH MIN @100KHZ, 0.1V 8mA DC BIAS
1.2 OHMS MAX
- 3.0 DC Resistance: 1~100MHz -1.0dB MAX
100~125MHz -1.2dB MAX
- 4.0 Insertion Loss: 1~40MHz -16dB MIN
40~60MHz -12dB MIN
60~80MHz -10dB MIN
80~100MHz -8dB MIN
- 5.0 Return Loss: 1~100MHz -30dB MIN
- 6.0 Cross Talk: 1~100MHz -30dB MIN
- 7.0 COMMON TO COMMON MODE ATTENUATION: 1~100MHz -30dB MIN
- 8.0 Isolation: PHY Side to Line Side: 2250VDC

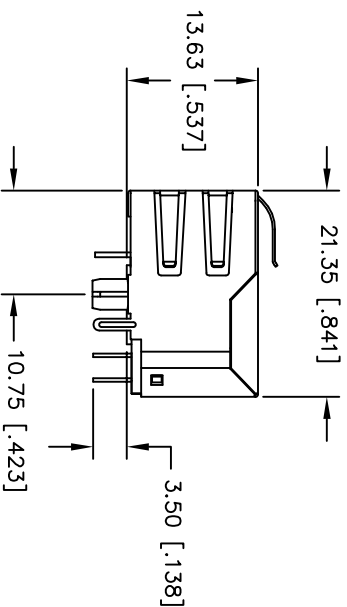
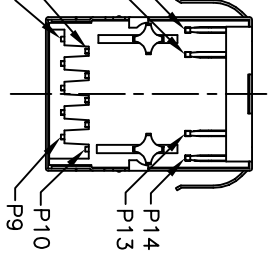
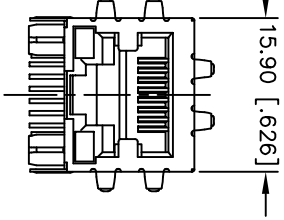
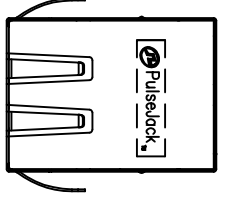
LED Specifications:

STANDARDLED	WAVELENGTH	FORWARD CURRENT	FORWARD V (MAX)	TYP
GREEN	565nm	20 mA	2.4V	2.2V
YELLOW	590nm	20 mA	2.5V	2.1V

MATIC

All rights reserved. Pulse confidential & proprietary. (05/13/15)

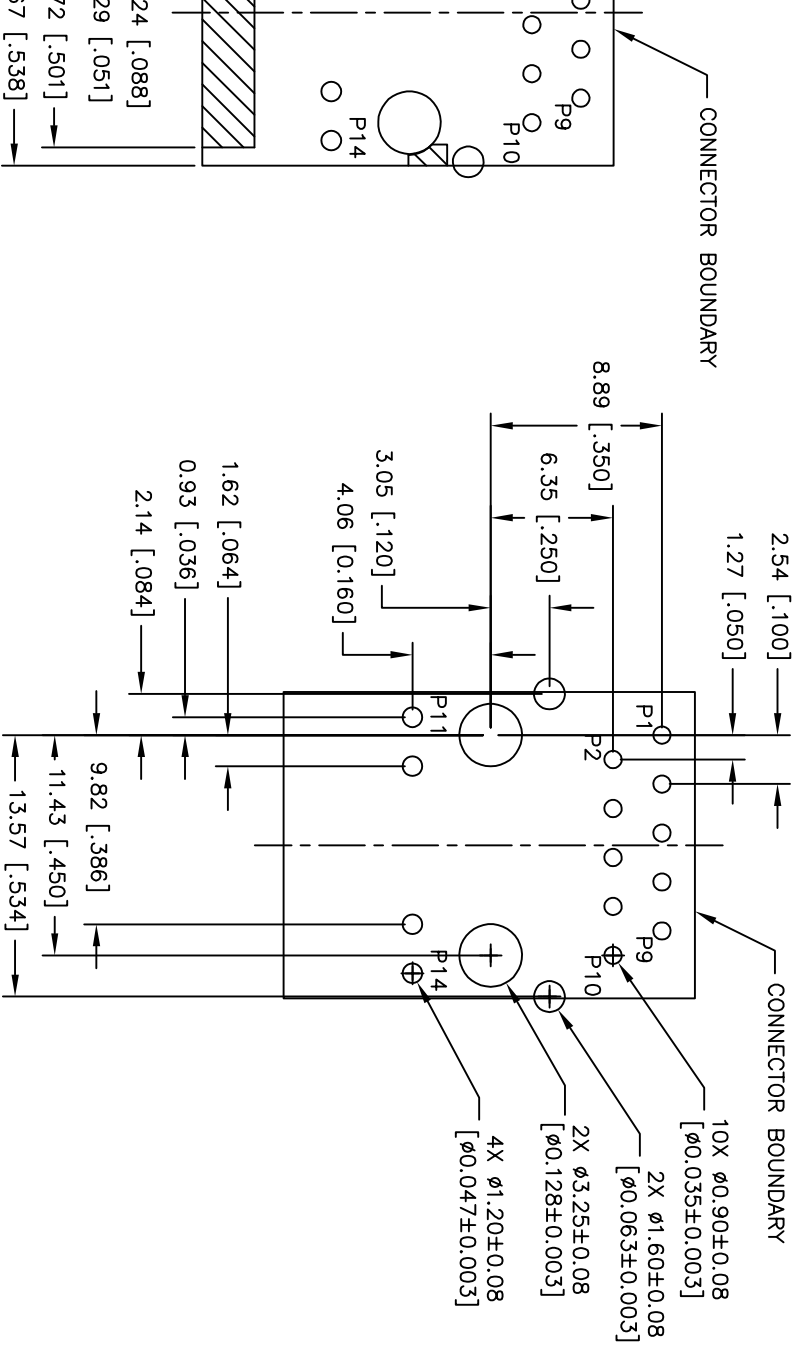
TLA DRAWING	PS DRAWING	SHEET	PART NO.	DATASHEET REV.
XDO-0001NL-X1	-	2 OF 5	JXDO-0001NL	A



WITH THE FOLLOWING
NCE ONLY.

All rights reserved. Pulse confidential & proprietary. (05/13/15)

TLA DRAWING	PS DRAWING	SHEET	PART NO.	DATASHEET REV.
JDO-0001NL-X1	-	3 OF 5	JXDO-0001NL	A

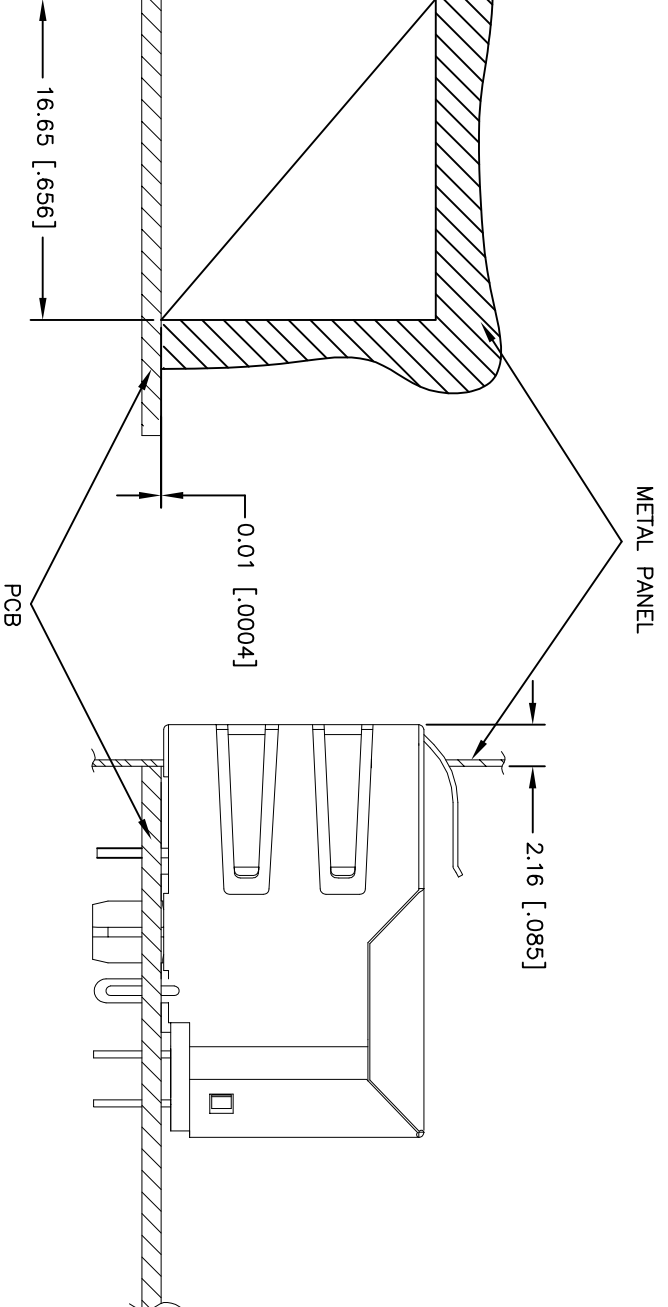


COMPONENT SIDE SHOWN)

WITH THE FOLLOWING
NCE ONLY.

All rights reserved. Pulse confidential & proprietary. (05/13/15)

TLA DRAWING	PS DRAWING	SHEET	PART NO.	DATASHEET REV.
XDO-0001NL-X1	-	4 OF 5	JXDO-0001NL	A



SUGGESTED PANEL CUTOUT



WITH THE FOLLOWING
NOTE ONLY.

All rights reserved. Pulse confidential & proprietary. (05/13/15)

TLA DRAWING	PS DRAWING	SHEET	PART NO.	DATASHEET REV.
XDO-0001NL-X1	-	5 OF 5	JXDO-0001NL	A

Looking for pricing, stock, or lifecycle information?

Click below to explore more details on WIN SOURCE:

-  [View JXD0-0001NL on WIN SOURCE](#)
-  [Pulse Information](#)

Optimize Your Supply Chain with WIN SOURCE Solutions

-  Global Sourcing Solution
-  Obsolete Management
-  Cost Control Management
-  Shortage Management
-  Alternative Solution
-  Excess Inventory Management