



**THE DATASHEET OF  
JXK0-0136NL**



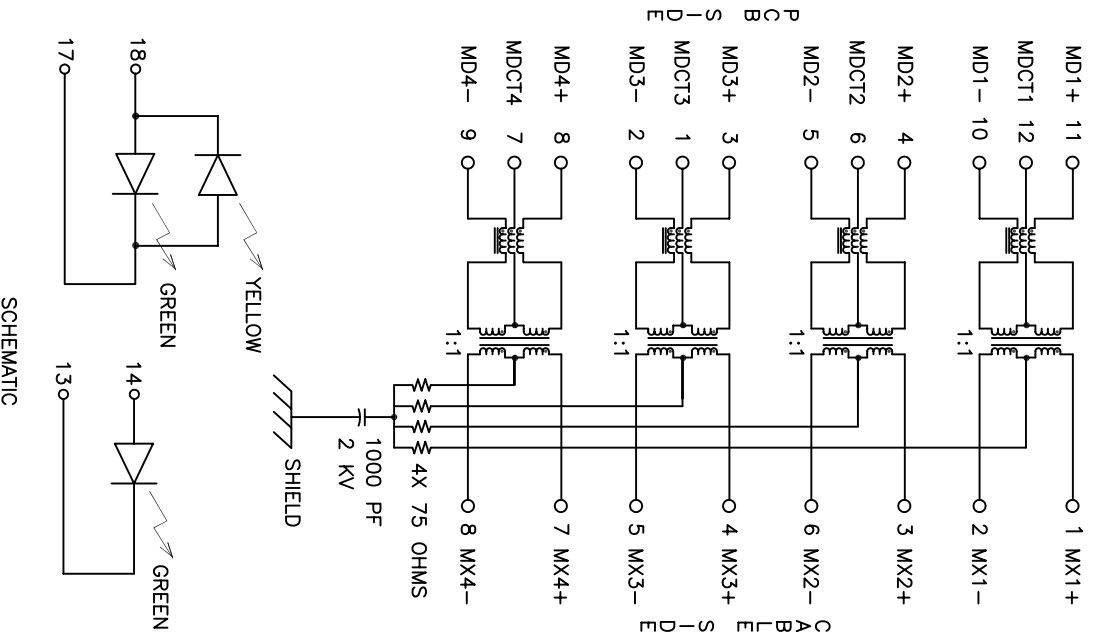
ELECTRICAL CHARACTERISTICS AT +25°C UNLESS OTHERWISE SPECIFIED  
(FOR REFERENCE ONLY. USED FOR CUSTOMER INFORMATION.)

PARAMETER	SPECIFICATIONS
OPERATING TEMP	-40°C ~ +85°C
TURNS RATIO	1 : 1 ± 2%
POLARITY	PER SCHEMATIC
INSERTION LOSS	100 KHz -1.2 DB MAX .1-40 MHz -16 DB MIN
RETURN LOSS (Z OUT = 100 OHM ±15%)	-10+20*LOG <sub>10</sub> (f/80 MHz) DB MIN 40-100 MHz
INDUCTANCE (OCL) (MEDIA SIDE, -40°C~85°C)	350 uH MIN (MEASURED AT 100 KHz, 100 mVRMS) (AND WITH 8 mA DC BIAS)
CROSSTALK ADJACENT CHANNELS	1 MHz -50 DB MIN 10-100 MHz -55+22*LOG <sub>10</sub> (f/10) DB MIN
COMMON MODE REJECTION RATIO	2 MHz -50 DB MIN 30-200 MHz
INPUT - OUTPUT ISOLATION	2250 VDC MINIMUM FOR 60 SECONDS

NOTE: f IS FREQUENCY IN MHZ.

EMMITTED COLOR	GREEN	YELLOW
WAVELENGTH (nm)	568 nm	585 nm
BRIGHTNESS (mcd)	8.5 TYP. @ 20 mA	6.0 TYP. @ 20 mA
VIEWING ANGLE	85° - 100°	85° - 100°
POWER DISSIPATION (Pd)	100 mA MAX	100 mA MAX
DC FORWARD CURRENT	150 mA MAX	150 mA MAX
REVERSE VOLTAGE (Vr)	2.2 TO 2.6 VOLTS	2.1 TO 2.6 VOLTS

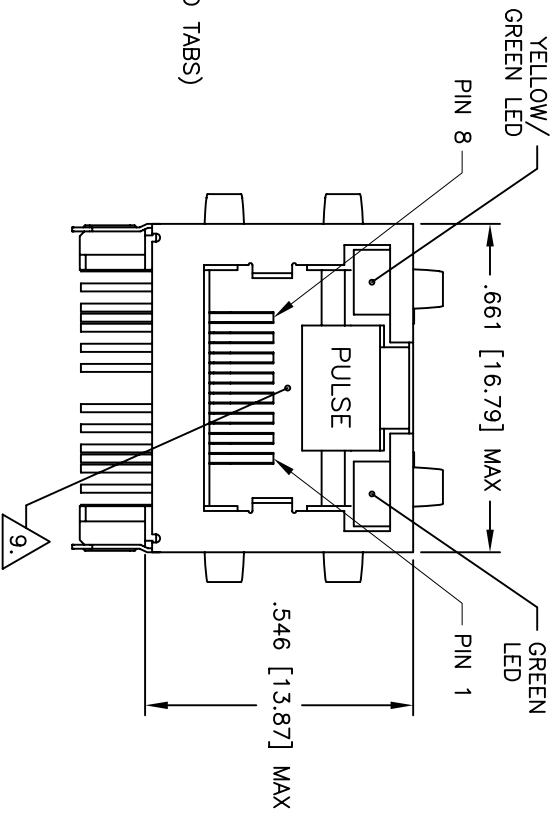
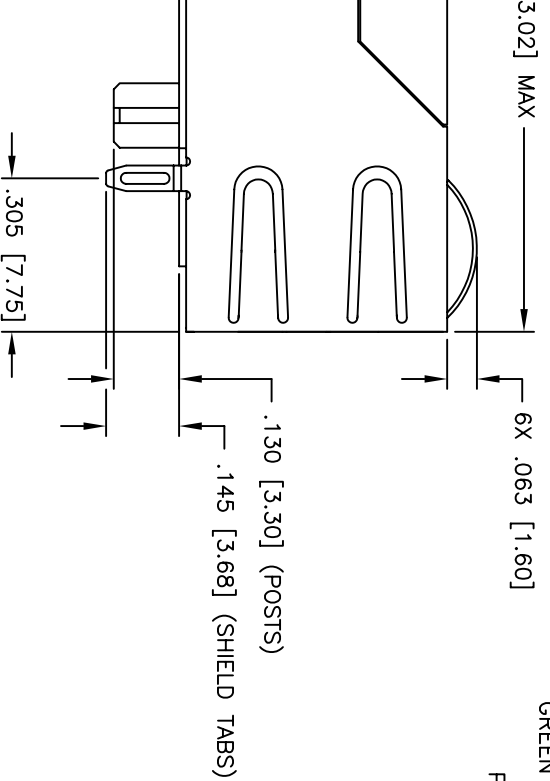
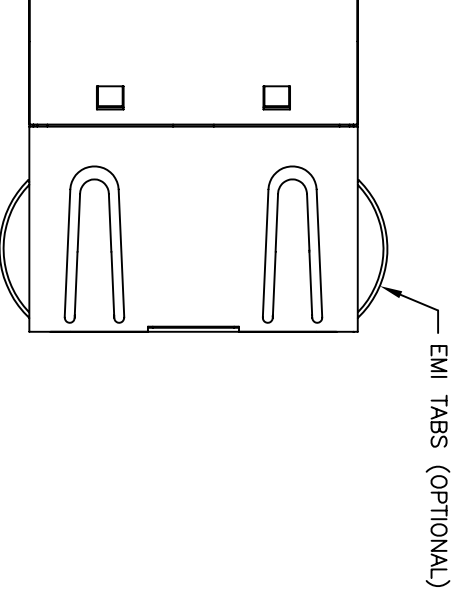
NOTE: PER VENDOR'S SPECIFICATIONS



SCHEMATIC

rights reserved. Drawing specifications subject to change without notice. (04/26/12)

DESCRIPTION	PS DRAWING	SHEET:	DWG. NO. / PART NO.	REV.
5,1X1,1GD,1:1,TY	PS-2390.004-A	1	JXKO-0136NL	M11

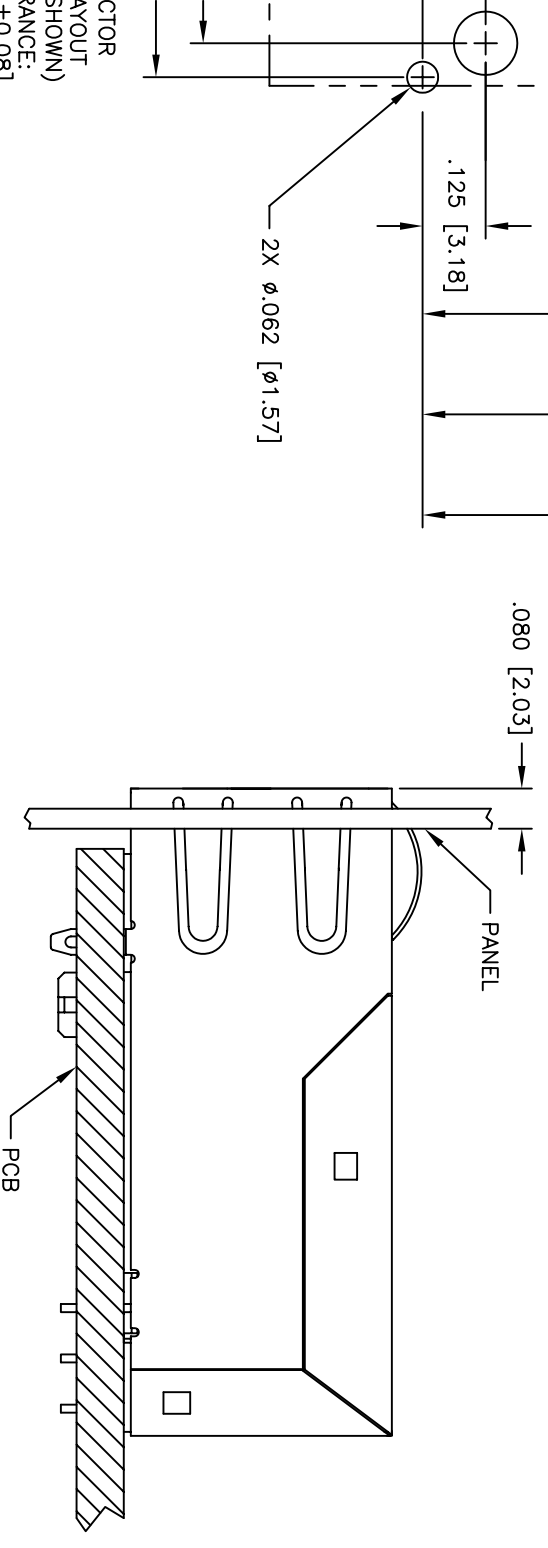
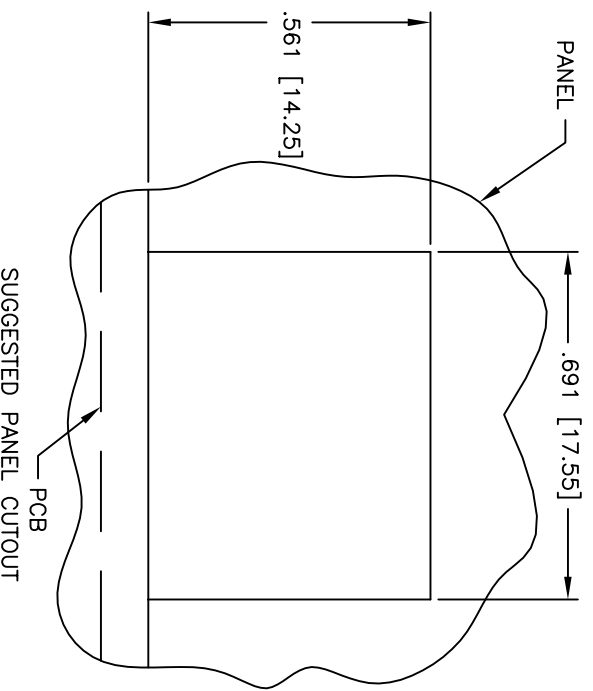
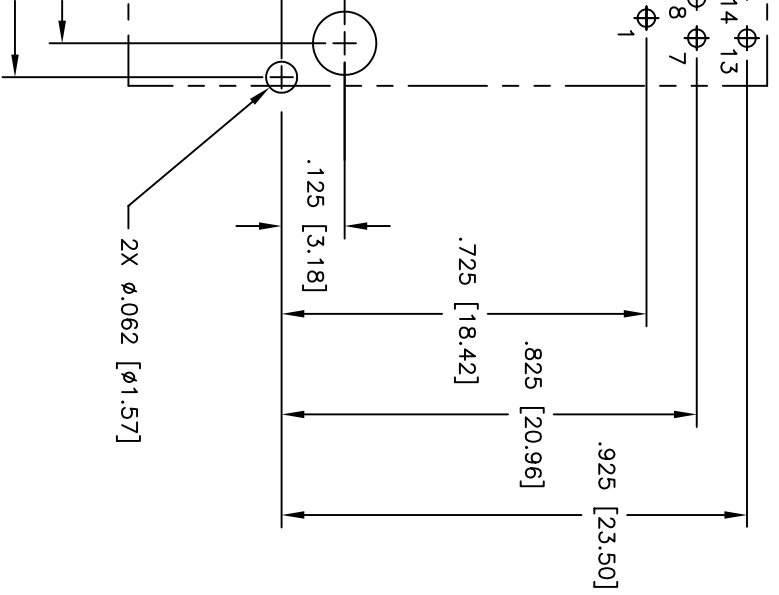


 **Pulse**  
 Electronics  
 www.pulseelectronics.com

rights reserved. Drawing specifications subject to change without notice. (04/26/12)

T DESCRIPTION	PS DRAWING	SHEET:	DWG. NO. / PART NO.	REV.
45,1X1,1GD,1:1,TY	PS-2390.004-A	2	JXK0-0136NL	M11

080 [2.03]  
— .040 [1.02]




rights reserved. Drawing specifications subject to change without notice. (04/26/12)

DESCRIPTION	PS DRAWING	SHEET:	DWG. NO. / PART NO.	REV.
45,1X1,1GD,1:1,TY	PS-2390.004-A	3	JXK0-0136NL	M11

## Looking for pricing, stock, or lifecycle information?

Click below to explore more details on WIN SOURCE:

 [View JXK0-0136NL on WIN SOURCE](#)

 [Pulse Information](#)

## Optimize Your Supply Chain with WIN SOURCE Solutions

-  Global Sourcing Solution
-  Obsolete Management
-  Cost Control Management
-  Shortage Management
-  Alternative Solution
-  Excess Inventory Management