

PulseJack™






1xN, Tab-Up, PoE

Description:

100 Base-TX (Fast Ethernet) RJ45 1xN Integrated Connector Module (ICM) with LEDs -
Designed to support PoE applications



Features and Benefits:

-  RoHS peak wave solder temperature rating 260°C
-  Unique design ensures a separation of >2.0mm between Power, Signal and Ground pins.
-  Compact design includes integrated magnetics, bi-color LEDs
-  350µH minimum OCL with 8mA bias current
-  Meets IEEE 802.3 specification

Electrical Specifications @ 25°C - Operating Temperature 0°C to +70°C

RoHS Compliant Part Number	Number of Ports	LEDs ¹ L/R	Insertion Loss TX/RX (dB TYP)		Return Loss (dB TYP) 100Ω (± 15 Ω)				Crosstalk (dB TYP)			Common Mode Rejection (dB TYP)		Hipot (Vrms MIN)
			1-100 MHz	1-10 MHz	30 MHz	60-80 MHz	1-10 MHz	30-60 MHz	60-100 MHz	1-125 MHz	125-500 MHz	@ 60Hz 1 MIN		
JG0-0031NL	1x2	Y-G/G	-0.15	-20	-16	-12	-40	-35	-30	-20	-20	1500		
JG0-0032NL	1x4													

Notes:

1. LEDs Left/Right: **Y-G** = Bi-color: yellow/green; **G** = green.

RJ45 Durability Testing Rating

Part Number	Mating Force (MAX)	Unmating Force (MAX)	Durability	Plug to Jack Retention (MIN)
JG0 Series	5 lbs./2.268 kgs.	5 lbs./2.268 kgs.	750 Insertions	20 lbs./9.072 kgs.

RJ45 Material Specification

Part Number	Shield		Contact			Housing	
	Material	Finish	Material	Plating Area	Solder Area	Material	Specification
JG0 Series	Brass	10-20µ inches thick nickel over 10-20µ inches thick brass	Phosphor Bronze	30µ inches gold over 30-80µ inches nickel	Tin matte finish	Thermoplastic	UL 94 V-0

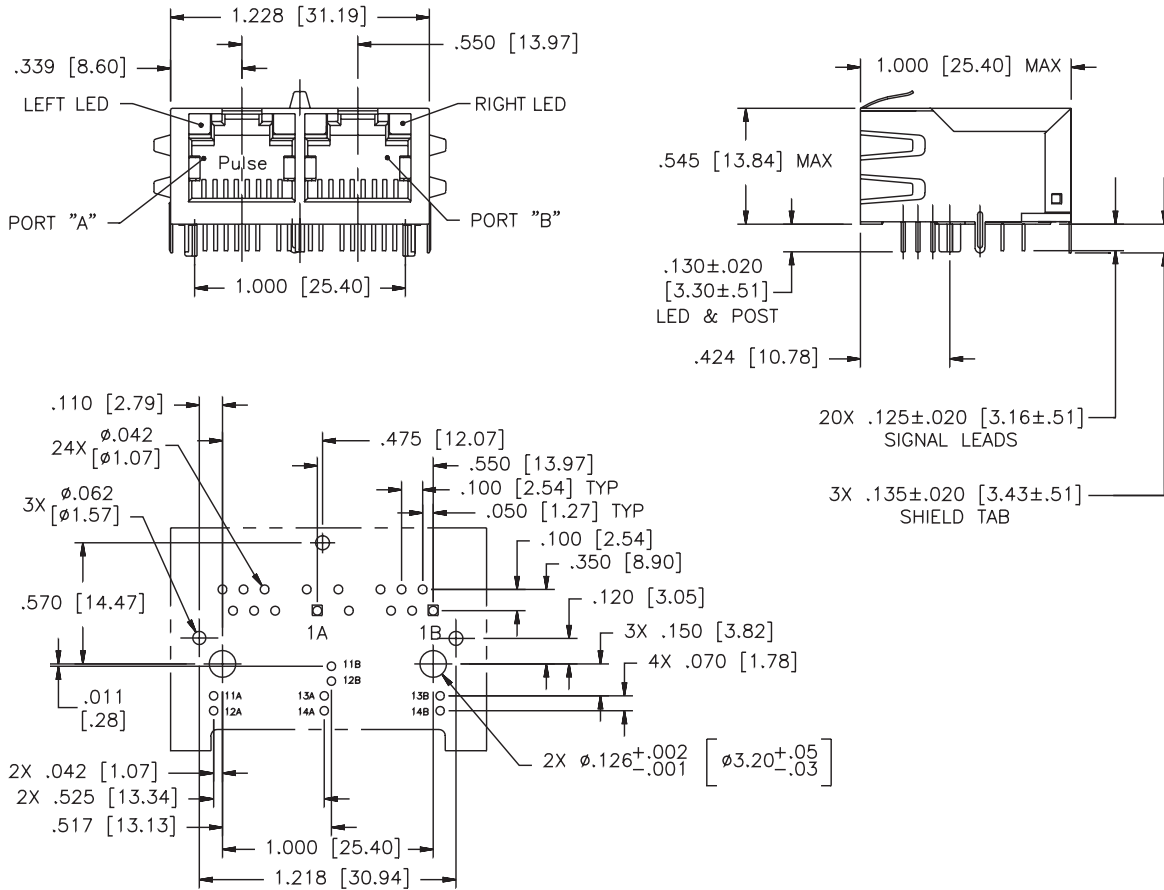
Notes: 1. Connector dimensions comply with FCC dimension requirements.

PulseJack™

1XN, Tab-Up, PoE

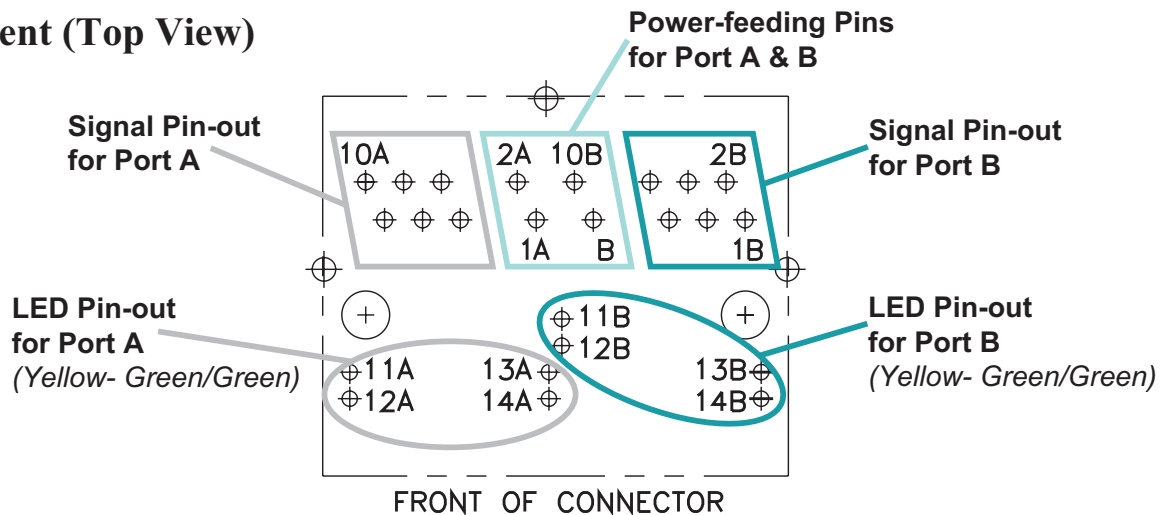
Mechanicals

JG0-0031NL



SUGGESTED PC BOARD LAYOUT VIEWED FROM COMPONENT SIDE
PCB LAYOUT DIMENSIONS TO BE ±.003 UNLESS OTHERWISE SPECIFIED

Pin Assignment (Top View)



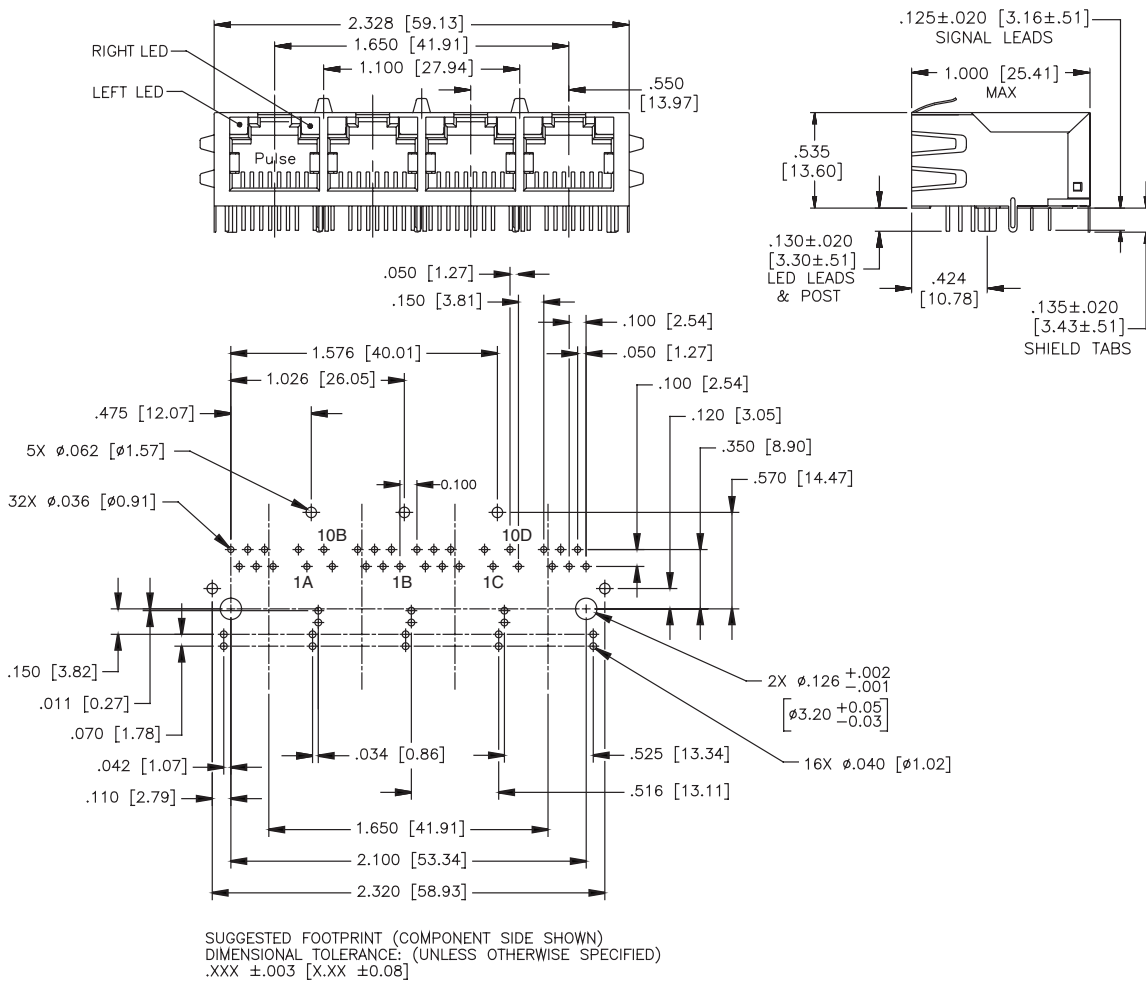
NOTE: Pins 3A, 4A, 7B and 8B are removed from component to simplify PCB layout and separation of Power, Signal and Ground planes.

PulseJack™

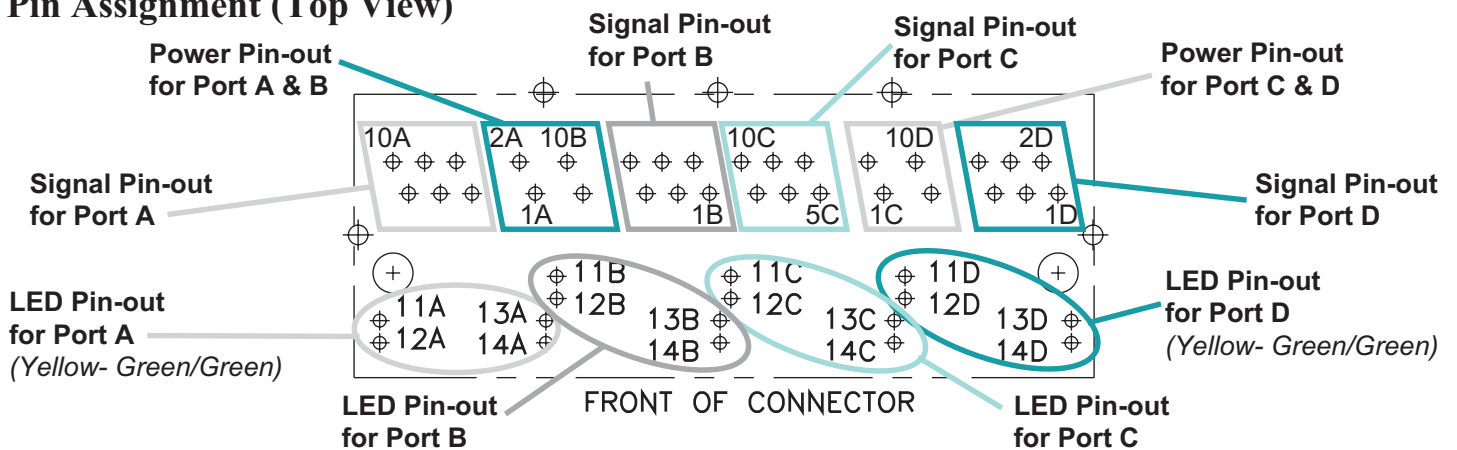
1XN, Tab-Up, PoE

Mechanicals

JG0-0032NL



Pin Assignment (Top View)



NOTE: Some pins are removed from component to simplify PCB layout and separation of Power, Signal and Ground planes.

Looking for pricing, stock, or lifecycle information?

Click below to explore more details on WIN SOURCE:

 [View JG0-0032NL on WIN SOURCE](#)

 [Pulse Information](#)

Optimize Your Supply Chain with WIN SOURCE Solutions

-  Global Sourcing Solution
-  Obsolete Management
-  Cost Control Management
-  Shortage Management
-  Alternative Solution
-  Excess Inventory Management