

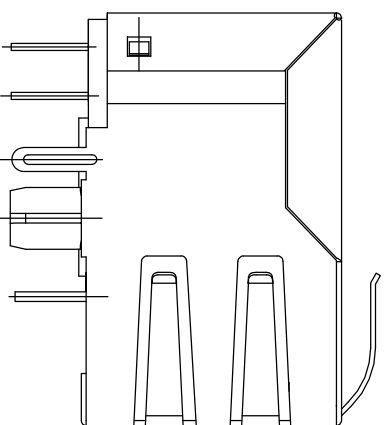
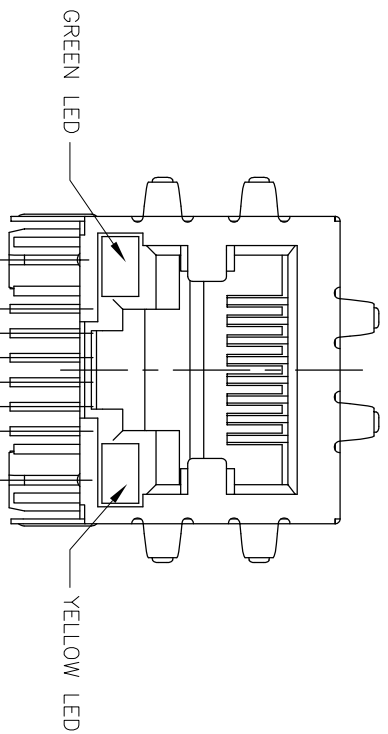
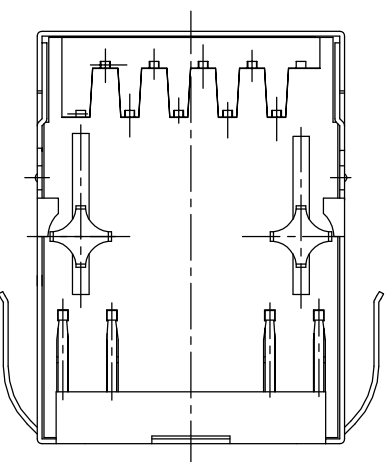
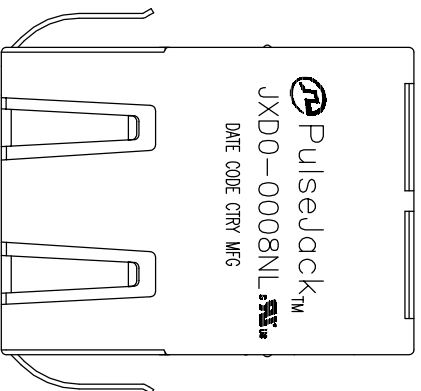


**THE DATASHEET OF
JXD0-0008NL**



CRO-INCHS MIN
 OMITTED SEE
 AND REGULATION
 SOLDERING
 IS

5°C.
 C.
 200 PCS/BOX.

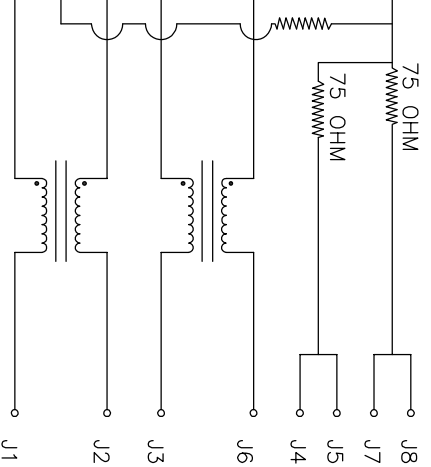


FINAL OUTLINE

All rights reserved. Pulse confidential & proprietary. (08/04/16)

TLA DRAWING	PS DRAWING	SHEET	PART NO.	DATASHEET REV.
XDD-0008NL-10	-	1 OF 5	JXD0-0008NL	A

PHONE: USA:858 674 8100, GERMANY:49 7032 78060, SINGAPORE:65 6287 8998, SHANGHAI:86 21 62787060, TAIWAN:886 3 4356768



ELECTRONICAL SPECIFICATIONS:

1. TURN RATIO @100KHZ: (P1~P3):(J1~J2) = 1:1±5%
(P4~P6):(J3~J6) = 1:1±5%
2. PRIMARY INDUCTANCE: 350uH MIN @100KHZ,0.1V 8mA DC BIAS
3. DC RESISTANCE: (J1~J2):(J3~J6) 1.2 OHMS MAX
4. INSERTION LOSS: 1~100MHZ -1.2dB MAX
5. RETURN LOSS: 1~30MHZ -16dB MIN
30~60MHZ -12dB MIN
60~80MHZ -10dB MIN
6. CROSS TALK: 1~100MHZ -30dB MIN
7. COMMON TO COMMON MODE ATTENUATION: 1~100MHZ -30dB MIN
8. ISOLATION: PHY SIDE TO LINE SIDE: 1500VAC OR 2250VDC

LED SPECIFICATION

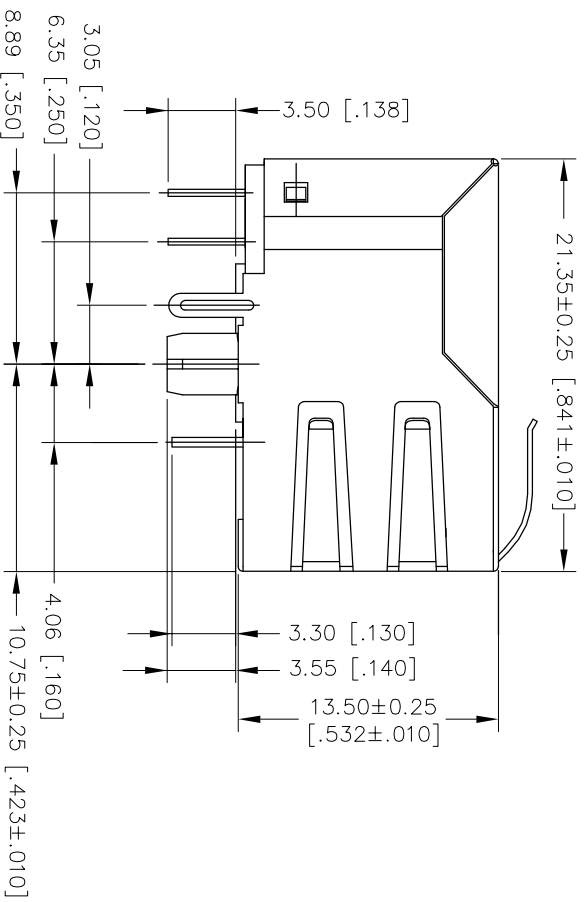
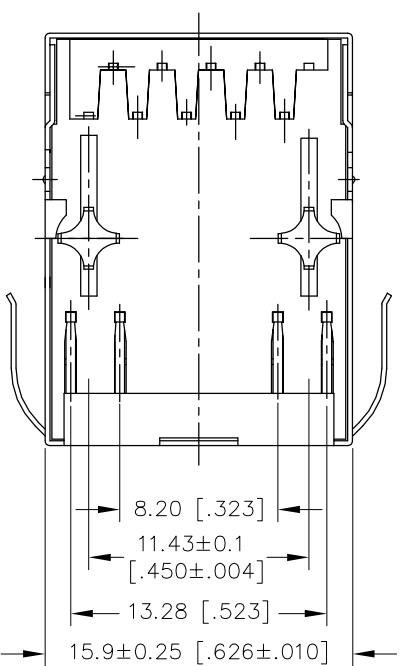
STANDARD LED	WAVELENGTH	FORWARD V(MAX)	TYP
GREEN	565nm	2.4V	2.2V
YELLOW	590nm	2.5V	2.1V

*WITH A FORWARD CURRENT OF 20mA

ATTIC

All rights reserved. Pulse confidential & proprietary. (08/04/16)

TLA DRAWING	PS DRAWING	SHEET	PART NO.	DATASHEET REV.
XDO-0008NL-10	-	2 OF 5	JXDO-0008NL	A

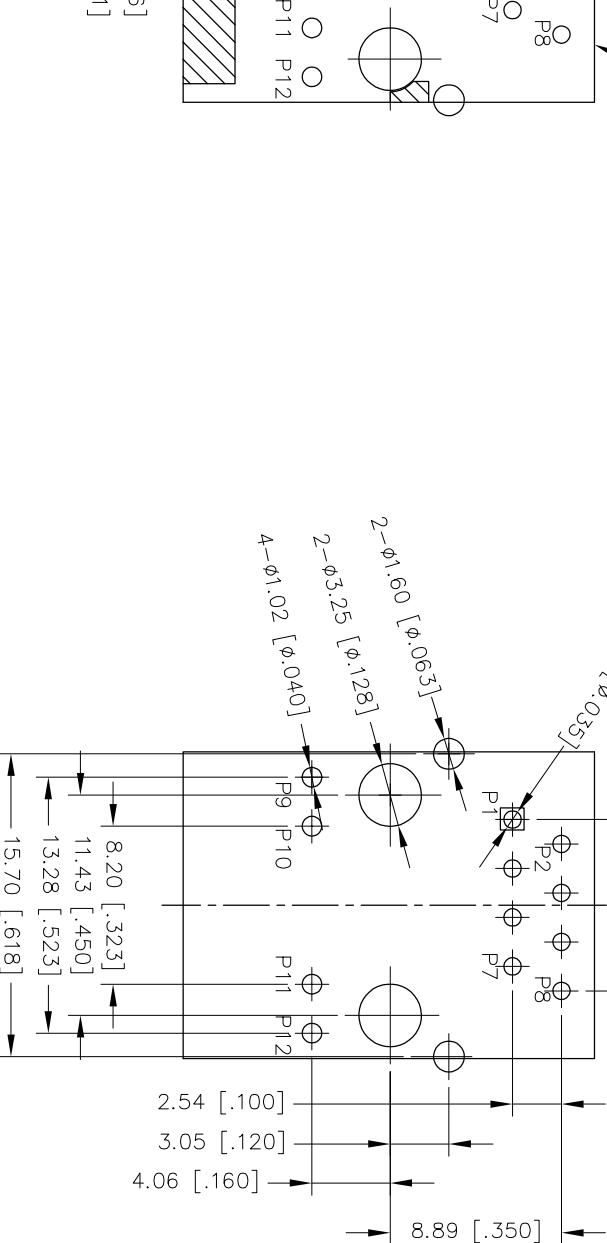


WITH THE FOLLOWING
NCE ONLY.

All rights reserved. Pulse confidential & proprietary. (08/04/16)

TLA DRAWING XDO-0008NL-10	PS DRAWING -	SHEET 3 OF 5	PART NO. JXDO-0008NL	DATASHEET REV. A
ELECTRONICS.COM(Asia)		PHONE: USA:858 674 8100, GERMANY:49 7032 78060, SINGAPORE:65 6287 8998, SHANGHAI:86 21 62787060, TAIWAN:886 3 4356768		

CONNECTOR BOUNDARY



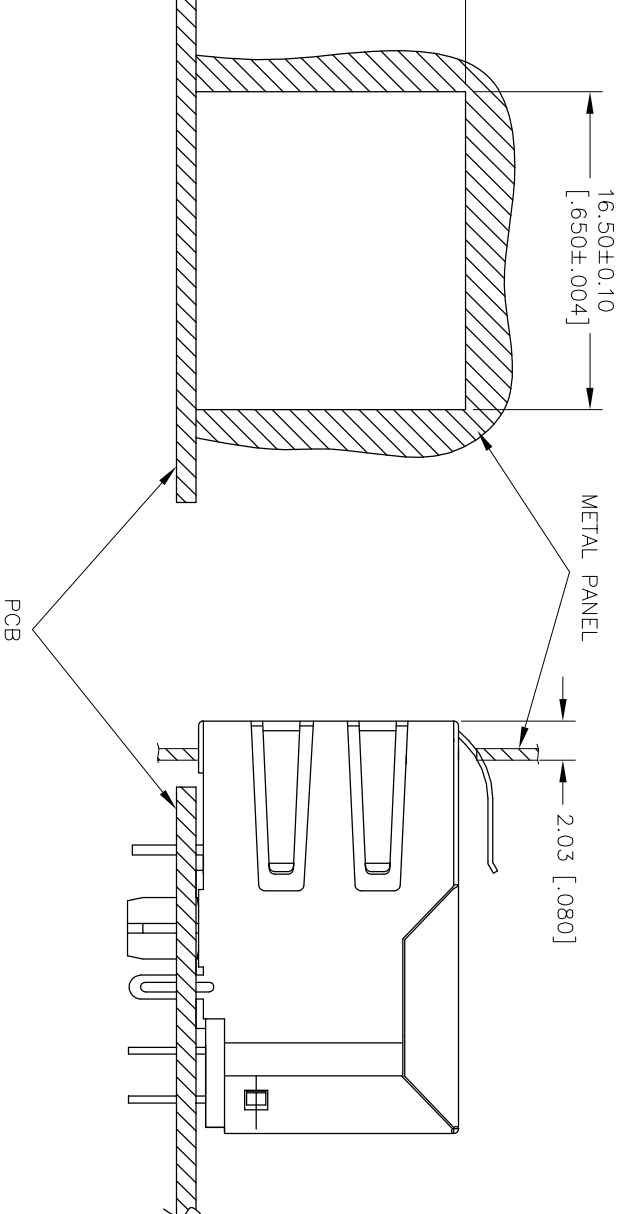
RECOMMENDED PCB LAYOUT
(COMPONENT SIDE SHOWN)

(COMPONENT SIDE SHOWN)

WITH THE FOLLOWING
STATEMENT:

All rights reserved. Pulse confidential & proprietary. (08/04/16)

TLA DRAWING	PS DRAWING	SHEET	PART NO.	DATASHEET REV.
XDO-0008NL-10	-	4 OF 5	JXDO-0008NL	A



SUGGESTED PANEL CUTOUT

WITH THE FOLLOWING
PAGE ONLY.

All rights reserved. Pulse confidential & proprietary. (08/04/16)


TLA DRAWING	PS DRAWING	SHEET	PART NO.	DATASHEET REV.
XDO-0008NL-10	-	5 OF 5	JXDO-0008NL	A

ELECTRONICS.COM(Asia) PHONE:USA:858 674 8100, GERMANY:49 7032 78060, SINGAPORE:65 6287 8998, SHANGHAI:86 21 62787060, TAIWAN:886 3 4356768

Looking for pricing, stock, or lifecycle information?

Click below to explore more details on WIN SOURCE:

 [View JXD0-0008NL on WIN SOURCE](#)

 [Pulse Information](#)

Optimize Your Supply Chain with WIN SOURCE Solutions

-  Global Sourcing Solution
-  Obsolete Management
-  Cost Control Management
-  Shortage Management
-  Alternative Solution
-  Excess Inventory Management