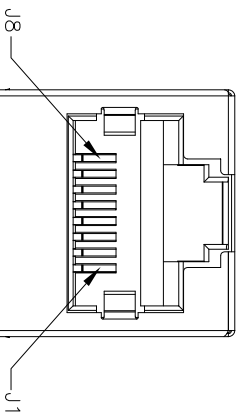




**THE DATASHEET OF
JXD2-0011NL**





CRO-INCHS MIN

OMITTED SEE

AND REGULATION

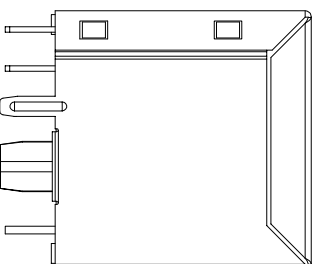
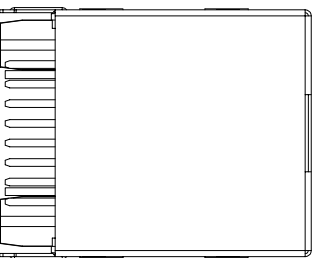
SOLDERING

IS

5°C.

C.

200 PCS/BOX.

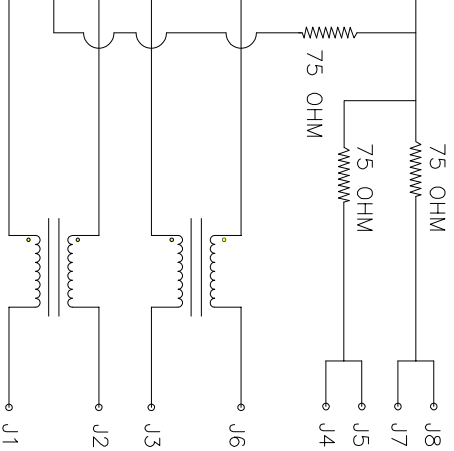


FINAL OUTLINE

All rights reserved. Pulse confidential & proprietary. (10/12/16)

TLA DRAWING	PS DRAWING	SHEET	PART NO.	DATASHEET REV.
XD2-0011NL-10	-	1 OF 5	JXD2-0011NL	B

SEELECTRONICS.COM(Asio) PHONE:USA:858 674 8100, GERMANY:49 7032 78060, SINGAPORE:65 6287 8998, SHANGHAI:86 21 62787060, TAIWAN:886 3 4356768



MATIC

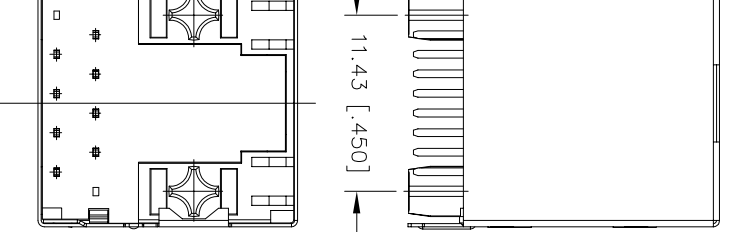
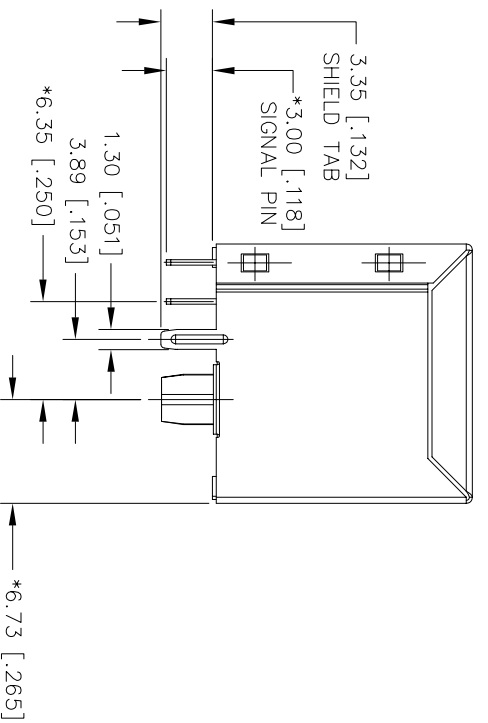
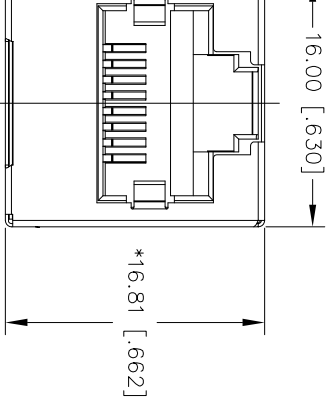
Electronical Specifications:

- 1.0 Turn Ratio @100KHz: (P1~P2):(J1~J2) = 1:1±5%
(P7~P8):(J3~J6) = 1:1±5%
- 2.0 Primary Inductance: 350uH MIN @100KHZ,0.1V 8mA DC BIAS
- 3.0 DC Resistance:(J1~J2):(J3~J6) 1.2 OHMS MAX
- 4.0 Insertion Loss: 1-100MHz -1.2dB MAX
- 5.0 Return Loss: 1-30MHz -16dB MIN
30-60MHz -12dB MIN
60-80MHz -10dB MIN
- 6.0 CROSS TALK: 1-100MHz -30dB MIN
- 7.0 COMMON TO COMMON MODE ATTENUATION: 1-100MHz -30dB MIN
- 8.0 Isolation: PHY Side to Line Side: 1500VAC or 2250VDC

All rights reserved. Pulse confidential & proprietary. (10/12/16)

TLA DRAWING	PS DRAWING	SHEET	PART NO.	DATASHEET REV.
XD2-0011NL-10	-	2 OF 5	JXD2-0011NL	B

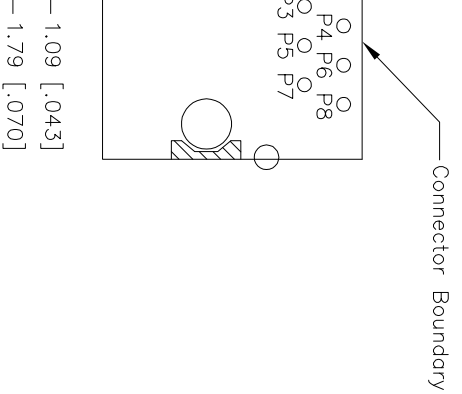
ELECTRONICS.COM(Asia) PHONE:USA:858 674 8100, GERMANY:49 7032 78060, SINGAPORE:65 6287 8998, SHANGHAI:86 21 62787060, TAIWAN:886 3 4356768



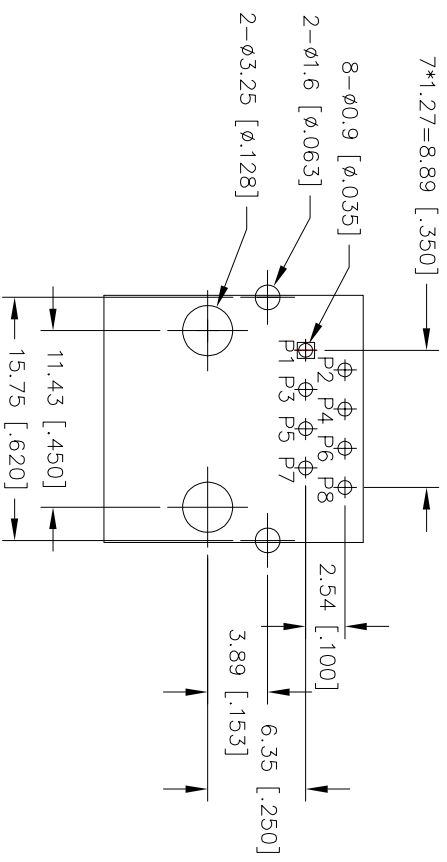
WITH THE FOLLOWING
NOTE ONLY.

All rights reserved. Pulse confidential & proprietary. (10/12/16)

TLA DRAWING XDD2-0011NL-10	PS DRAWING -	SHEET 3 OF 5	PART NO. JXD2-0011NL	DATASHEET REV. B
-------------------------------	-----------------	-----------------	-------------------------	---------------------



RECOMMENDED SIDE SHOWN)

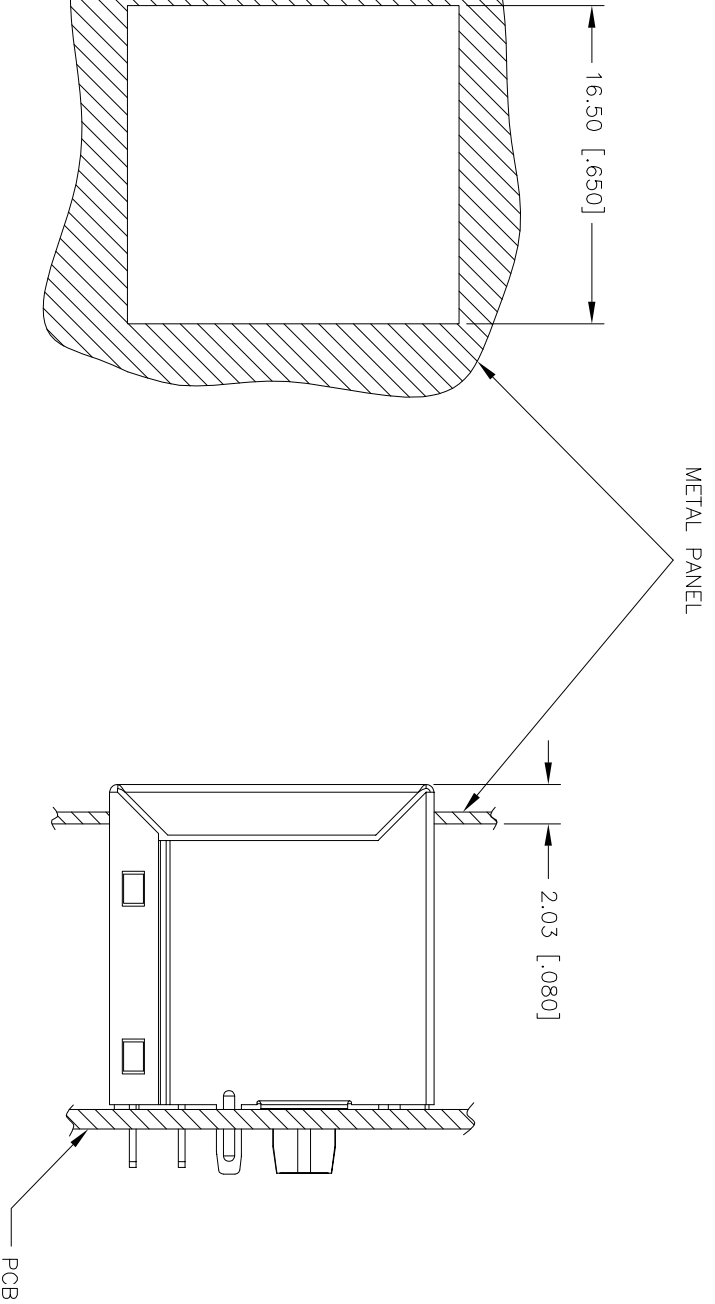


RECOMMENDED PWB LAYOUT
(COMPONENT SIDE SHOWN)

WITH THE FOLLOWING
STATEMENT ONLY.

All rights reserved. Pulse confidential & proprietary. (10/12/16)

TLA DRAWING	PS DRAWING	SHEET	PART NO.	DATASHEET REV.
XD2-0011NL-10	-	4 OF 5	JXD2-0011NL	B



WITH THE FOLLOWING
 NCE ONLY.



All rights reserved. Pulse confidential & proprietary. (10/12/16)

TLA DRAWING	PS DRAWING	SHEET	PART NO.	DATASHEET REV.
XD2-0011NL-10	-	5 OF 5	JXD2-0011NL	B

PSELECTRONICS.COM(Asia) PHONE:USA:858 674 8100, GERMANY:49 7032 78060, SINGAPORE:65 6287 8998, SHANGHAI:86 21 62787060, TAIWAN:886 3 4356768

Looking for pricing, stock, or lifecycle information?

Click below to explore more details on WIN SOURCE:

-  [View JXD2-0011NL on WIN SOURCE](#)
-  [Pulse Information](#)

Optimize Your Supply Chain with WIN SOURCE Solutions

-  Global Sourcing Solution
-  Obsolete Management
-  Cost Control Management
-  Shortage Management
-  Alternative Solution
-  Excess Inventory Management